



US00D698774S

(12) **United States Design Patent**
Wardy

(10) **Patent No.:** **US D698,774 S**
(45) **Date of Patent:** **** Feb. 4, 2014**

(54) **DUAL-PHONE CELLPHONE CASE**

(71) Applicant: **Amen Wardy**, Corona Del Mar, CA
(US)

(72) Inventor: **Amen Wardy**, Corona Del Mar, CA
(US)

(**) Term: **14 Years**

(21) Appl. No.: **29/447,675**

(22) Filed: **Mar. 5, 2013**

(51) **LOC (10) Cl.** **14-03**

(52) **U.S. Cl.**
USPC **D14/250**

(58) **Field of Classification Search**
USPC D14/250–253, 440, 203.3–203.7, 217,
D14/496, 248, 238.1, 240, 447, 341–347,
D14/444; D13/103, 107–108, 119; D3/201,
D3/218, 247, 269, 273, 301, 303;
248/309.1, 371, 176.3, 668;
361/679.56, 679.3, 679.25, 816;
379/426, 433.11, 455; 455/575.1,
455/575.8; 206/305, 320; 320/108, 115;
429/96; 220/4.02; 150/165
See application file for complete search history.

(56) **References Cited**

U.S. PATENT DOCUMENTS

| | | | |
|--------------|--------|-------------------|---------|
| D574,819 S * | 8/2008 | Andre et al. | D3/269 |
| D616,361 S * | 5/2010 | Huang | D13/103 |
| D618,230 S * | 6/2010 | Brown et al. | D14/250 |
| D623,180 S * | 9/2010 | Diebel | D14/250 |
| D623,640 S * | 9/2010 | Freeman | D14/250 |

| | | | |
|-------------------|---------|----------------------|-----------|
| D624,909 S * | 10/2010 | Huskinson | D14/250 |
| D653,202 S * | 1/2012 | Hasbrook et al. | D13/103 |
| D663,947 S * | 7/2012 | Jertson | D3/218 |
| D669,458 S * | 10/2012 | Wilson et al. | D14/250 |
| 8,286,789 B2 * | 10/2012 | Wilson et al. | 206/320 |
| D674,394 S * | 1/2013 | Kajimoto | D14/440 |
| D676,032 S * | 2/2013 | Stump et al. | D14/250 |
| D676,432 S * | 2/2013 | Hasbrook et al. | D14/250 |
| 8,457,701 B2 * | 6/2013 | Diebel | 455/575.8 |
| D687,027 S * | 7/2013 | Melanson et al. | D14/250 |
| 8,483,758 B2 * | 7/2013 | Huang | 455/557 |
| 2012/0088558 A1 * | 4/2012 | Song | 455/575.1 |
| 2012/0309475 A1 * | 12/2012 | Johnson | 455/575.8 |

* cited by examiner

Primary Examiner — Carla Jobe Wright

(74) *Attorney, Agent, or Firm* — QuickPatents; Kevin Prince

(57) **CLAIM**

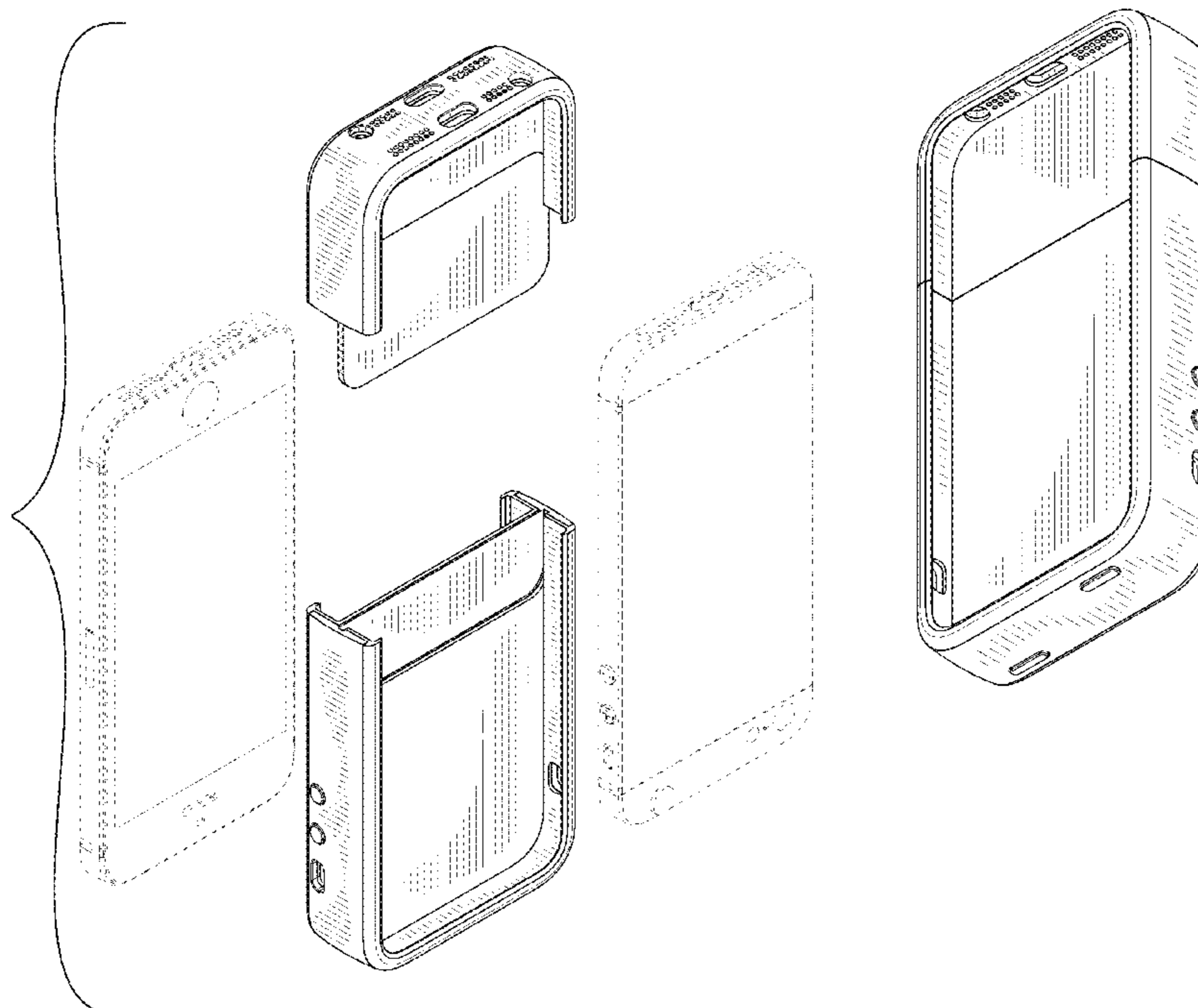
I claim the ornamental design for a dual-phone cellphone case, as shown and described.

DESCRIPTION

FIG. 1 is an exploded perspective view of a dual-phone cellphone case, showing my new design; FIG. 2 is a perspective view thereof; FIG. 3 is a front elevational view thereof, the rear elevational view being a mirror image thereof; FIG. 4 is a left-side elevational view thereof, the right-side elevational view being a mirror image thereof; FIG. 5 is a bottom plan view thereof; and, FIG. 6 is a top plan view thereof.

The broken lines showing two mobile phones in FIG. 1 depict environmental matter that forms no part of the claimed design.

1 Claim, 3 Drawing Sheets



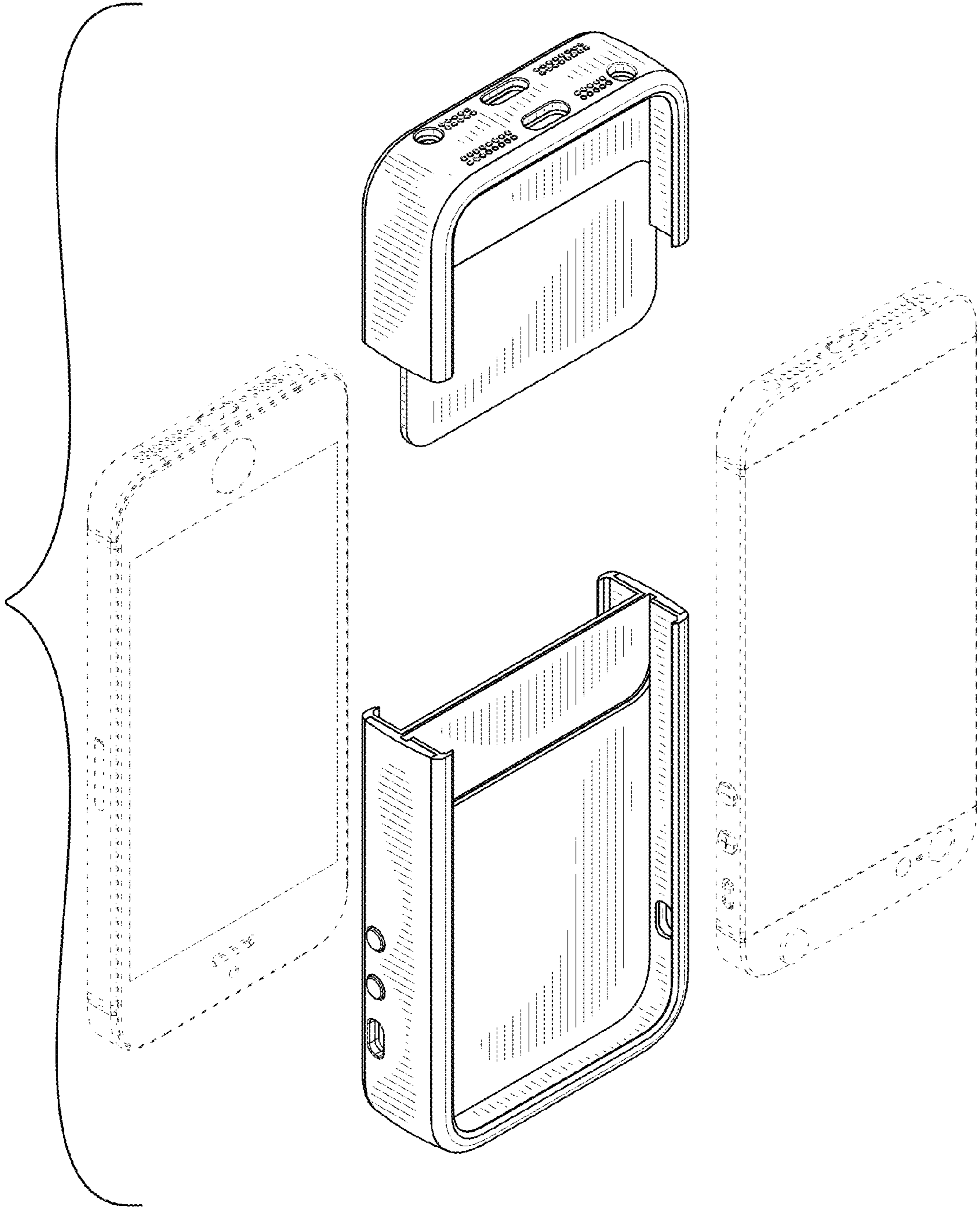


FIG. 1

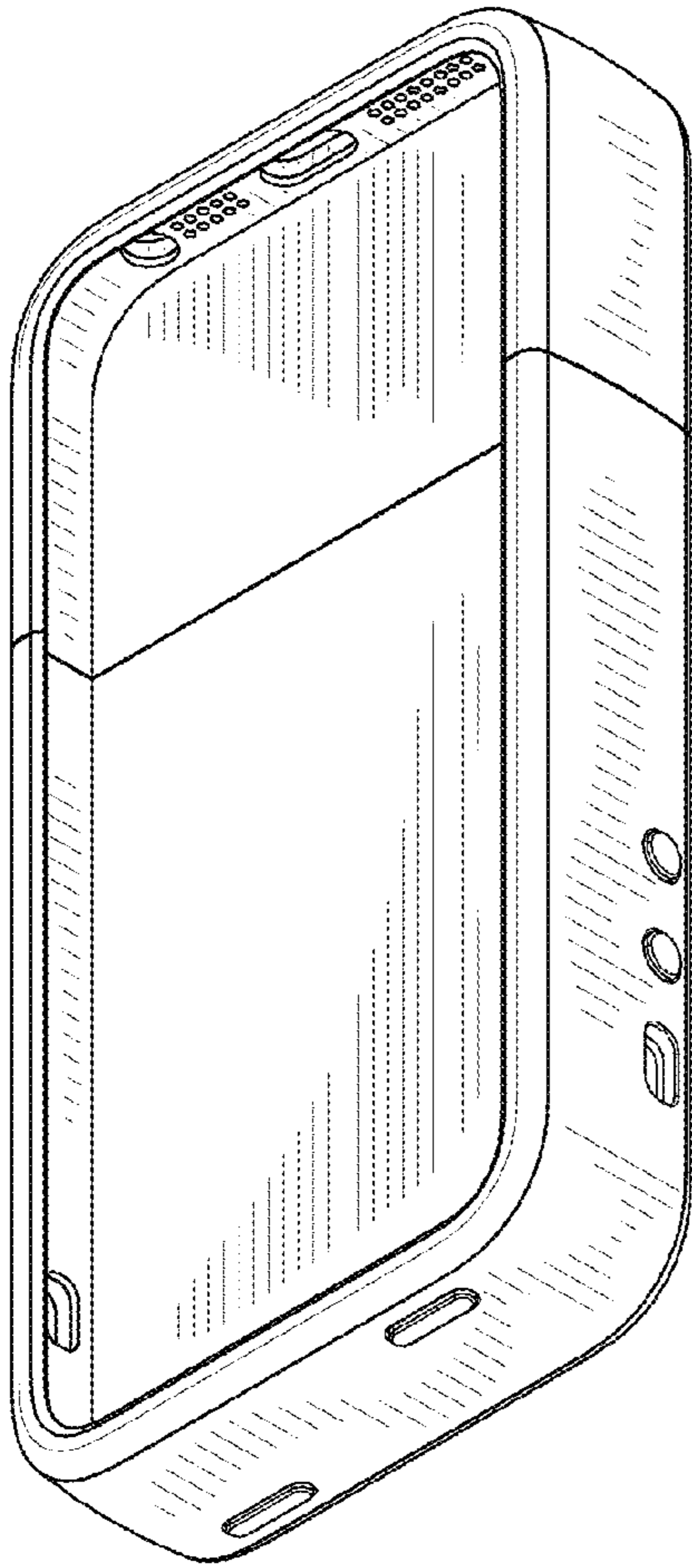


FIG. 2

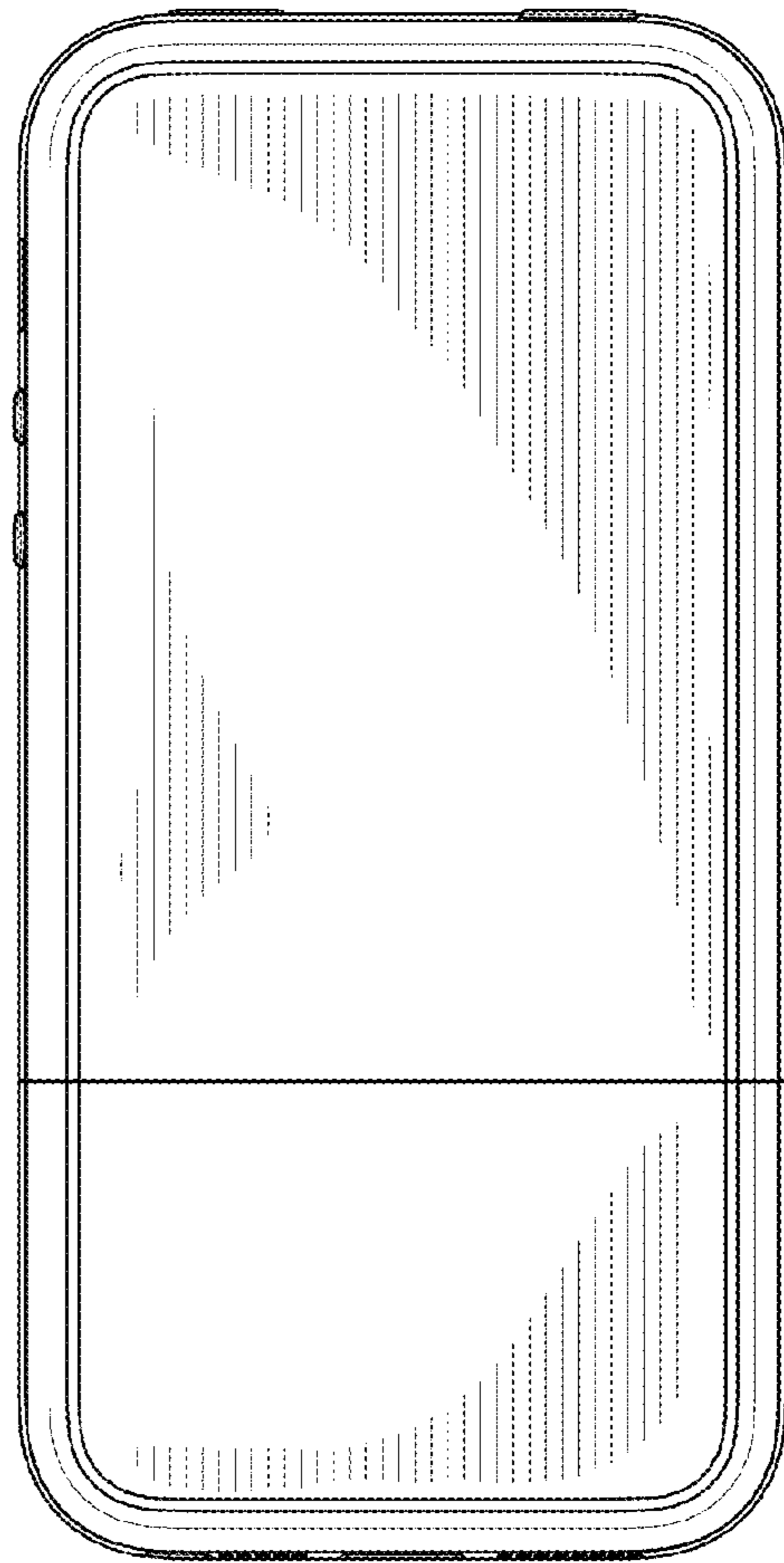


FIG. 3

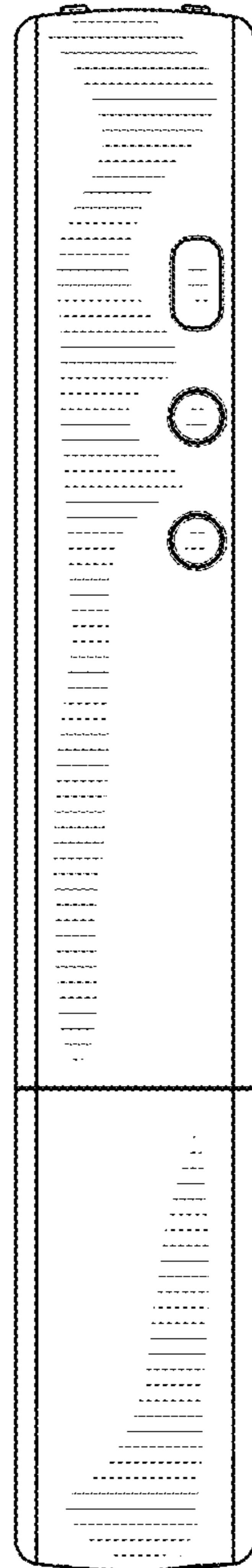


FIG. 4

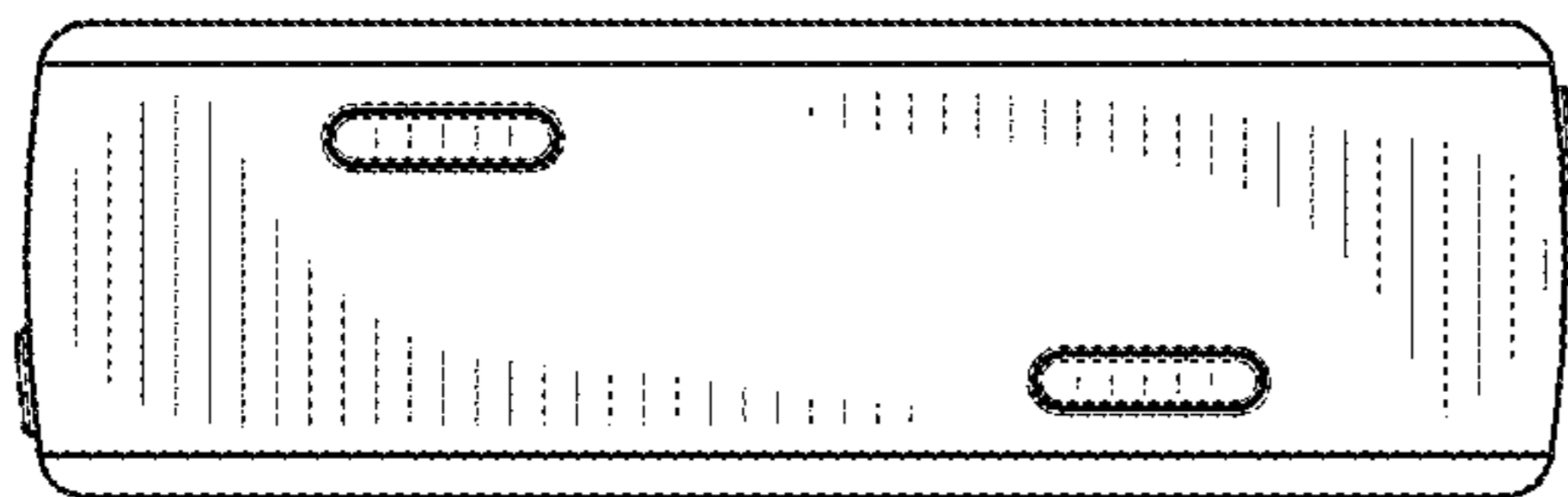


FIG. 5

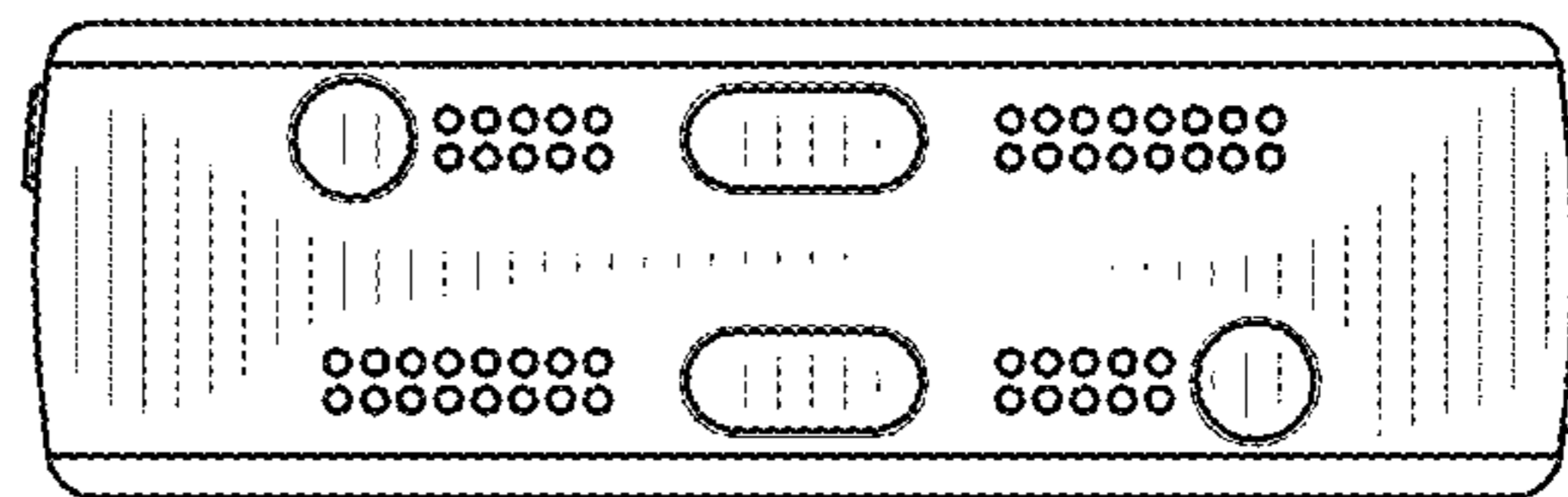


FIG. 6