



US00D698773S

(12) **United States Design Patent**  
**Wildner**

(10) **Patent No.:** **US D698,773 S**  
(45) **Date of Patent:** **\*\* Feb. 4, 2014**

(54) **CASE FOR A PORTABLE ELECTRONIC DEVICE**

(71) Applicant: **HTC Corporation**, Taoyuan County (TW)

(72) Inventor: **Bernhard Wildner**, San Francisco, CA (US)

(73) Assignee: **HTC Corporation**, Taoyuan County (TW)

(\*\*) Term: **14 Years**

(21) Appl. No.: **29/445,158**

(22) Filed: **Feb. 8, 2013**

(51) **LOC (10) Cl.** ..... **14-03**

(52) **U.S. Cl.**  
USPC ..... **D14/250**

(58) **Field of Classification Search**  
USPC ..... D14/250–253, 440, 203.3–203.7, 217, D14/496, 248, 238.1, 240, 447, 341–347, D14/444; D13/103, 107–108, 119; D3/201, D3/218, 247, 269, 273, 301, 303; 248/309.1, 371, 176.3, 668; 361/679.56, 679.3, 679.25, 816; 379/426, 433.11, 455; 455/575.1, 455/575.8; 206/305, 320; 320/108, 115; 429/96; 220/4.02; 150/165

See application file for complete search history.

(56) **References Cited**

**U.S. PATENT DOCUMENTS**

|                |        |                 |       |         |
|----------------|--------|-----------------|-------|---------|
| D615,299 S *   | 5/2010 | Agarwal et al.  | ..... | D3/269  |
| D639,286 S *   | 6/2011 | Mohoney         | ..... | D14/250 |
| D641,348 S *   | 7/2011 | Kim et al.      | ..... | D14/250 |
| D651,594 S     | 1/2012 | Melanson et al. |       |         |
| D652,829 S *   | 1/2012 | Kim et al.      | ..... | D14/250 |
| D657,354 S *   | 4/2012 | Kim             | ..... | D14/250 |
| 8,186,508 B2 * | 5/2012 | Fan             | ..... | 206/320 |

|                |         |            |       |         |
|----------------|---------|------------|-------|---------|
| 8,230,992 B2 * | 7/2012  | Law et al. | ..... | 206/320 |
| 8,281,924 B2 * | 10/2012 | Westrup    | ..... | 206/320 |
| D672,353 S *   | 12/2012 | Liu        | ..... | D14/440 |
| D674,799 S *   | 1/2013  | Kim        | ..... | D14/440 |
| D676,050 S *   | 2/2013  | Sanz       | ..... | D14/440 |

(Continued)

**FOREIGN PATENT DOCUMENTS**

JP D1469757 5/2013

**OTHER PUBLICATIONS**

“Notice of Allowance of Taiwan Counterpart Application”, issued on Oct. 23, 2013, p1-p3, in which the listed references were cited.

*Primary Examiner* — Carla Jobe Wright

(74) *Attorney, Agent, or Firm* — Jianq Chyun IP Office

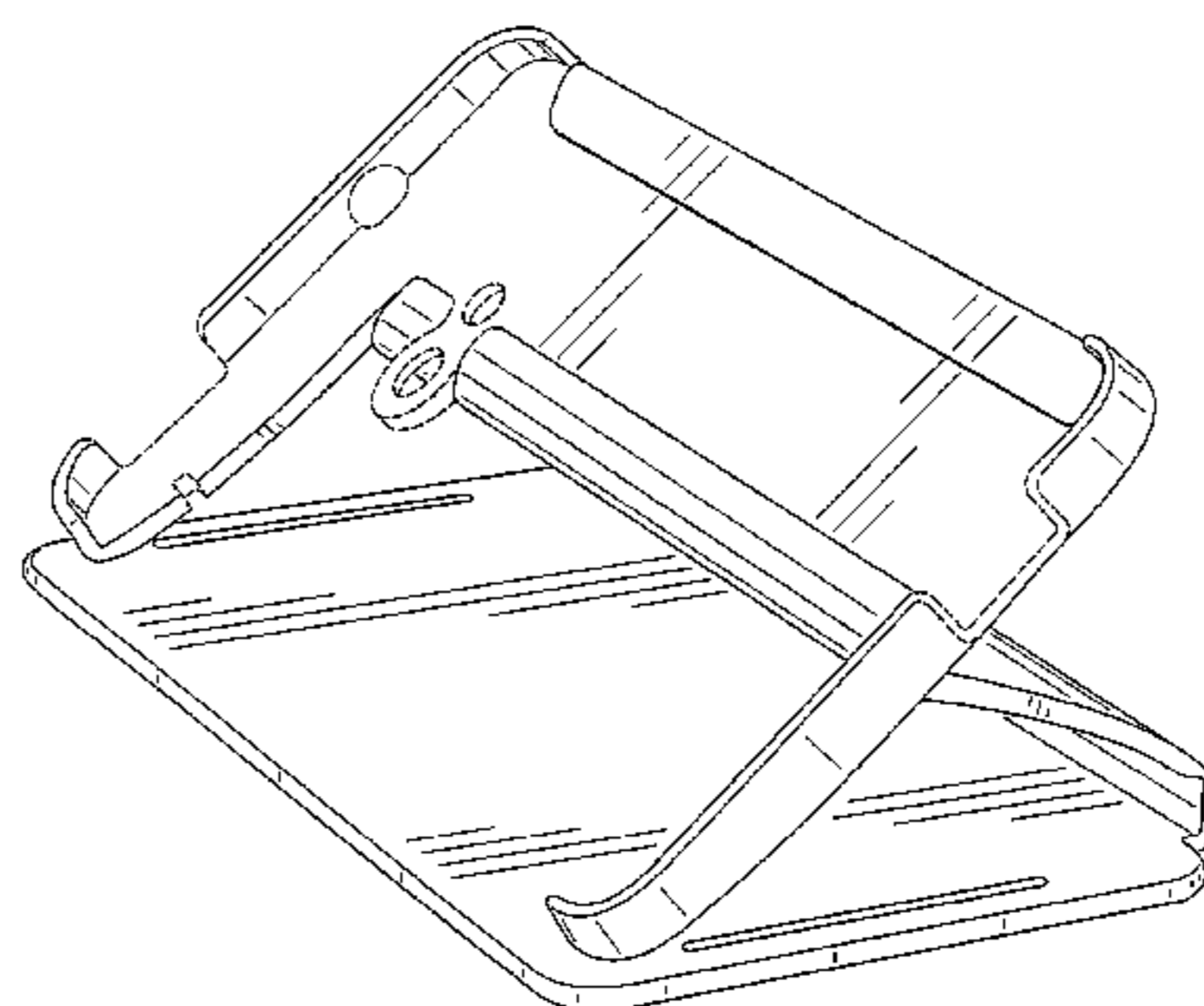
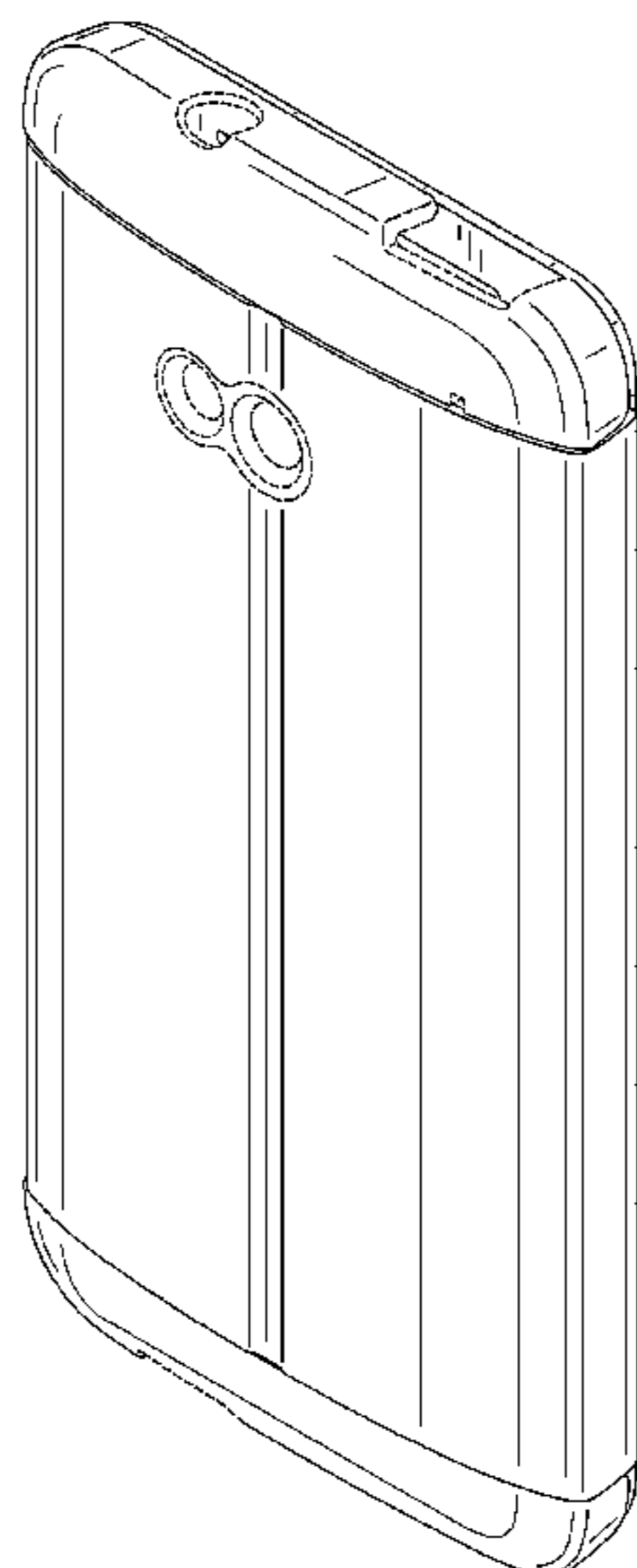
(57) **CLAIM**

The ornamental design for a case for a portable electronic device, as shown and described.

**DESCRIPTION**

FIG. 1 is a perspective view of a case for a portable electronic device showing my new design; FIG. 2 is another perspective view thereof; FIG. 3 is a front view thereof; FIG. 4 is a rear view thereof; FIG. 5 is a left view thereof; FIG. 6 is a right view thereof; FIG. 7 is a top view thereof; FIG. 8 is a bottom view thereof; FIG. 9 is a perspective view thereof in a use state; FIG. 10 is another perspective view thereof in the use state; and, FIG. 11 is a perspective view thereof in an unfolded state. The broken lines in FIGS. 1-11 depict portions of the case for portable electronic device that form no part of the claimed design.

**1 Claim, 9 Drawing Sheets**



(56)

**References Cited**

U.S. PATENT DOCUMENTS

D678,260 S \* 3/2013 Bau ..... D14/250  
D682,837 S \* 5/2013 Lee et al. .... D14/440  
8,457,702 B2 \* 6/2013 Lee ..... 455/575.8  
D687,438 S \* 8/2013 Lu ..... D14/440

D690,305 S \* 9/2013 Wen ..... D14/440  
2011/0290687 A1 \* 12/2011 Han ..... 206/320  
2012/0037285 A1 \* 2/2012 Diebel et al. .... 150/165  
2012/0043234 A1 \* 2/2012 Westrup ..... 206/320  
2012/0138494 A1 \* 6/2012 Thomas ..... 206/320  
2013/0020216 A1 \* 1/2013 Chiou ..... 206/320  
2013/0134061 A1 \* 5/2013 Wu et al. .... 206/320

\* cited by examiner

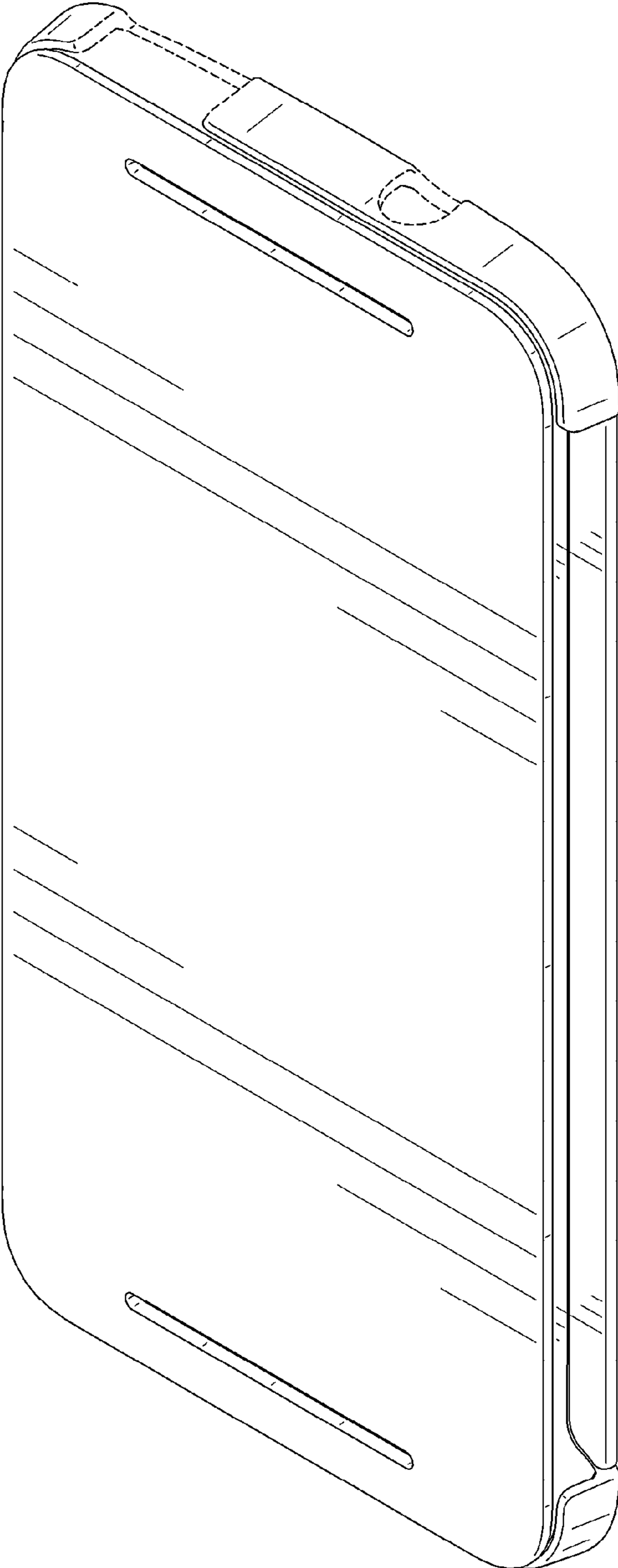


FIG. 1

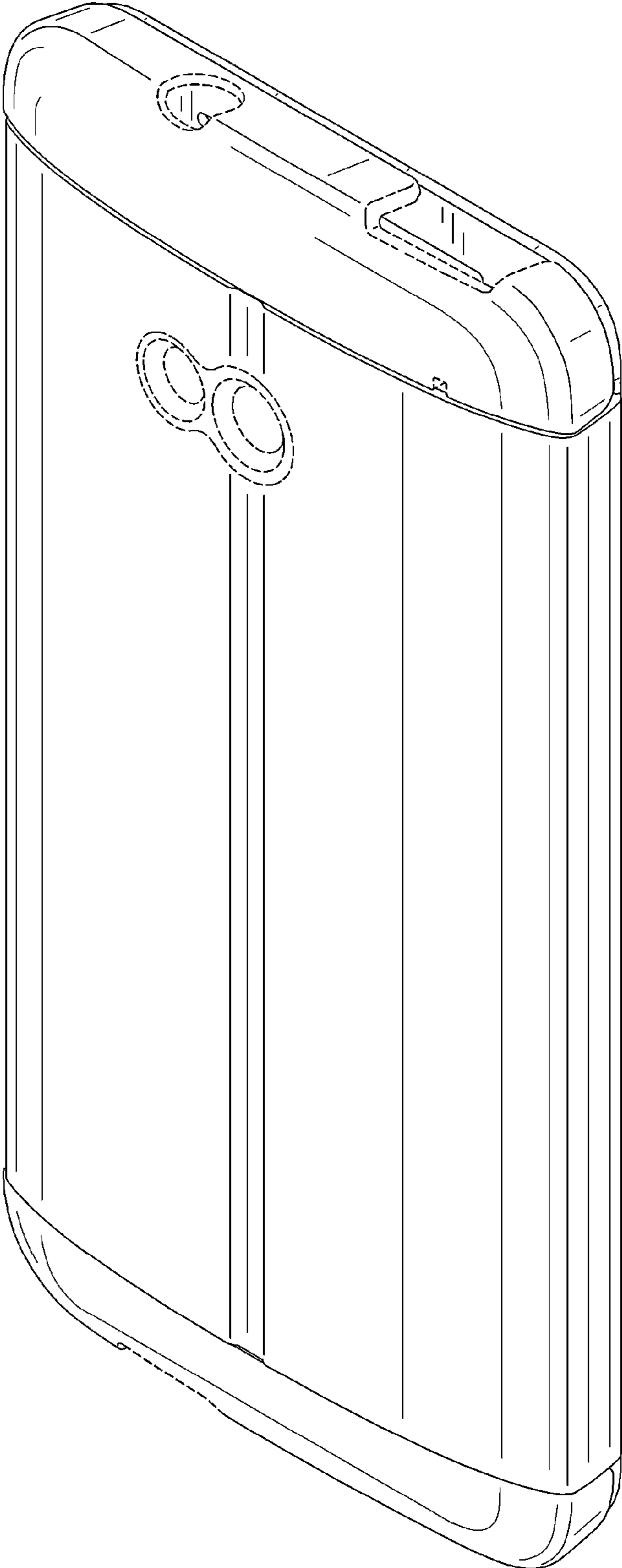


FIG. 2

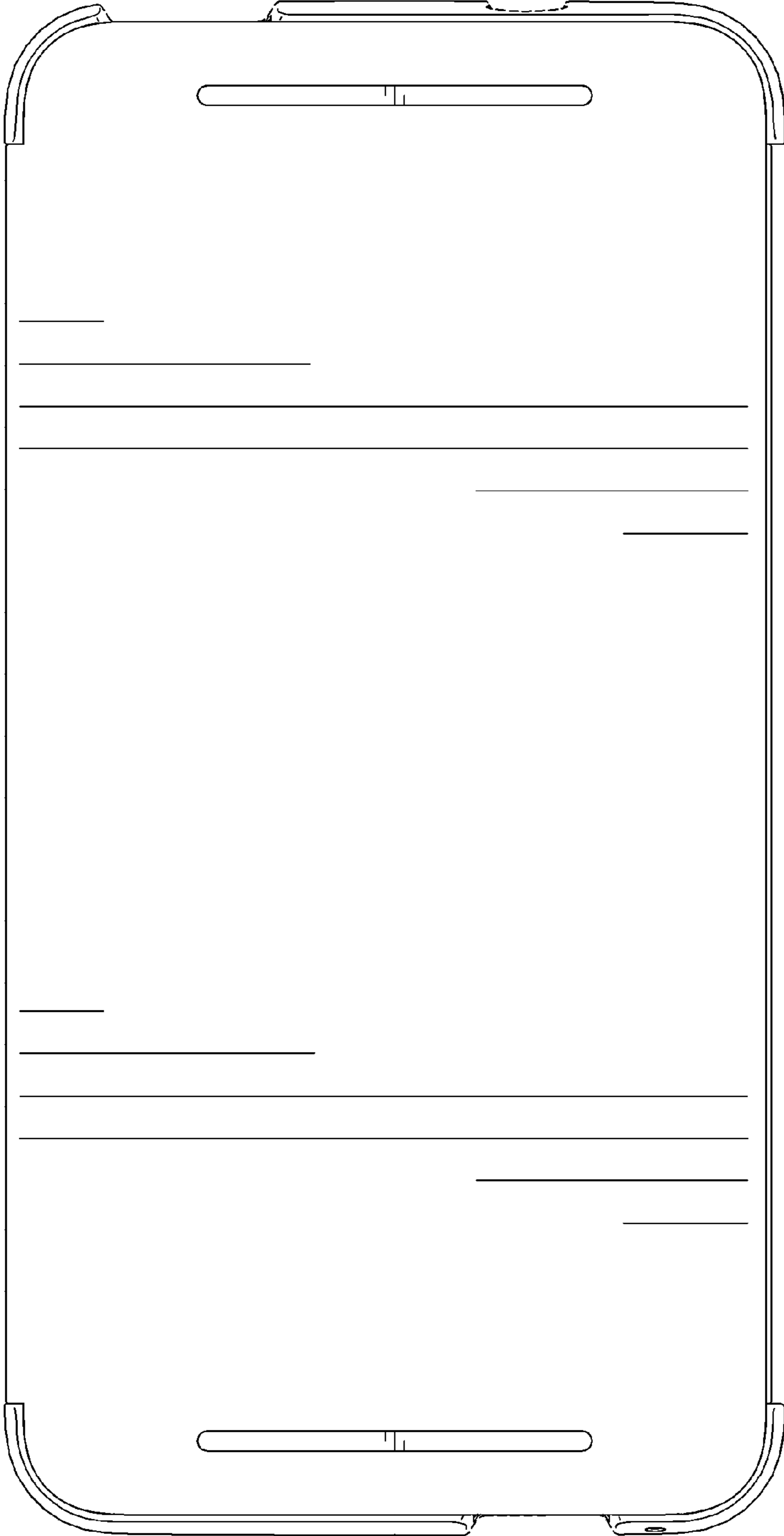


FIG. 3

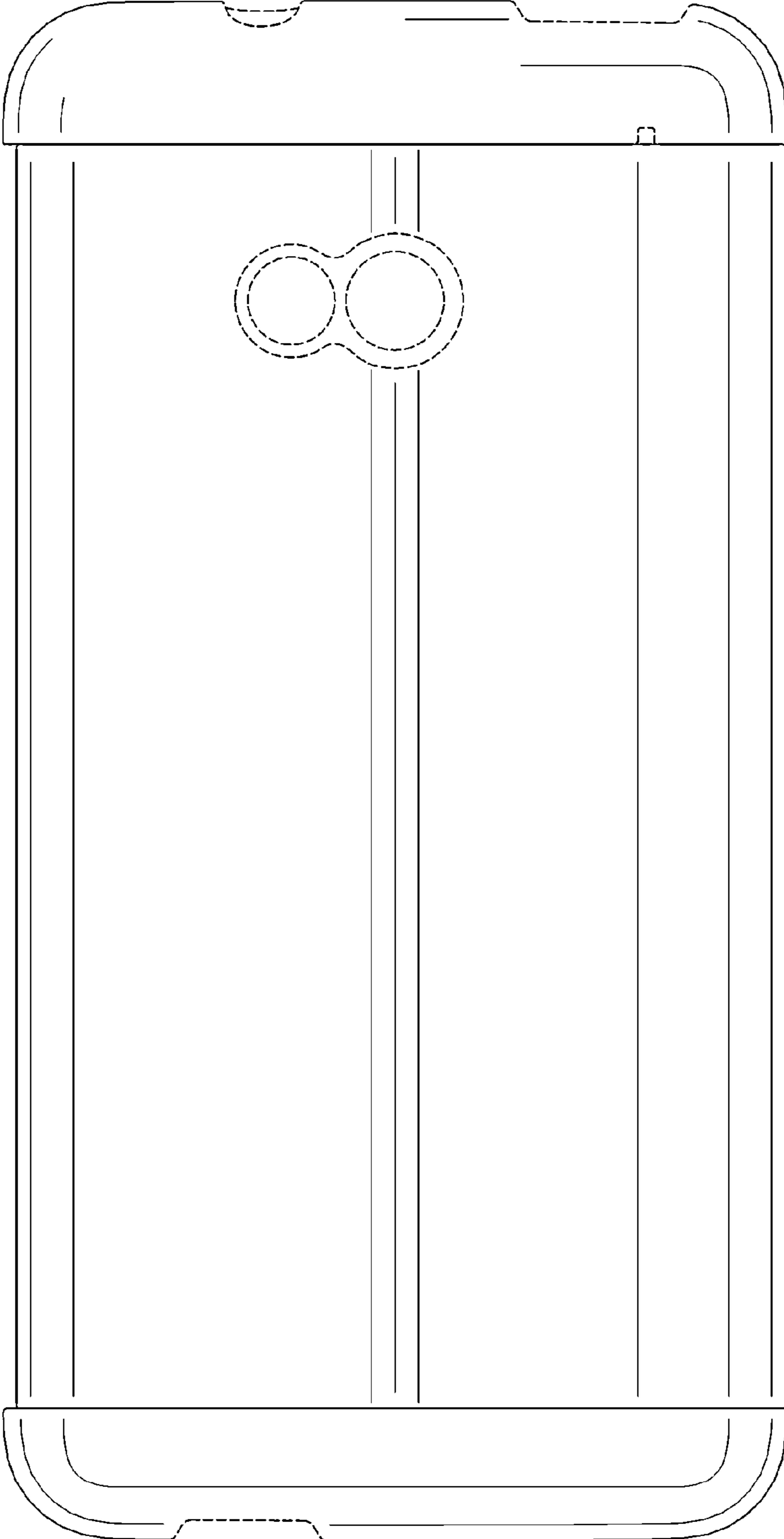


FIG. 4

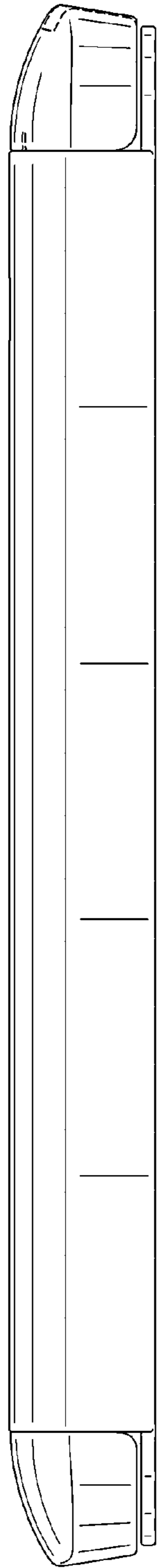


FIG. 5

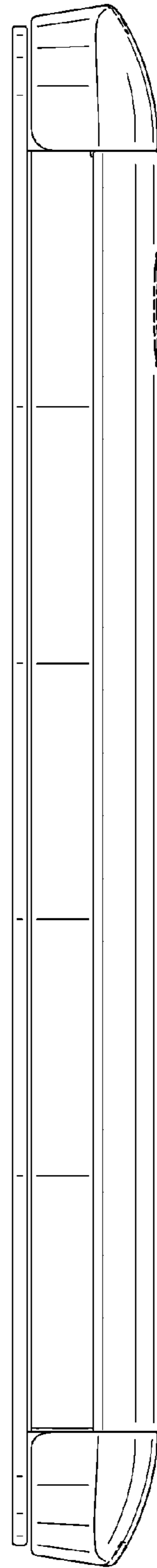


FIG. 6

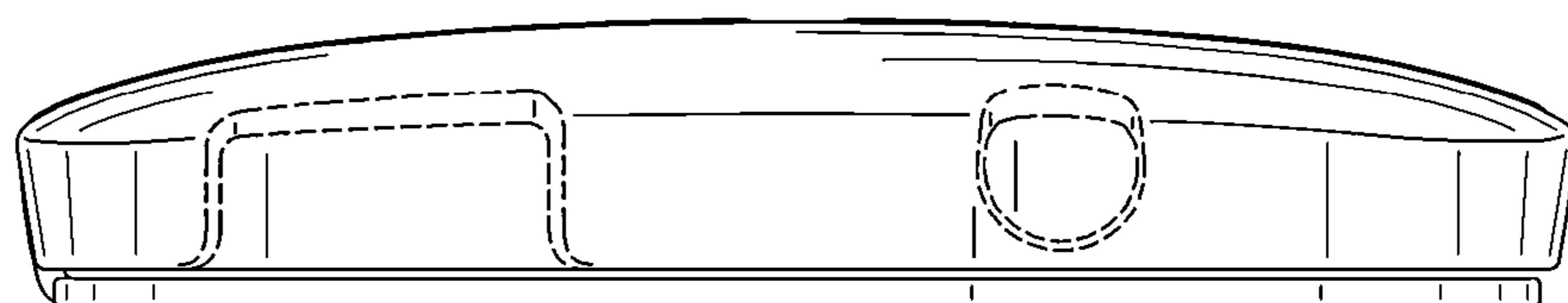


FIG. 7



FIG. 8



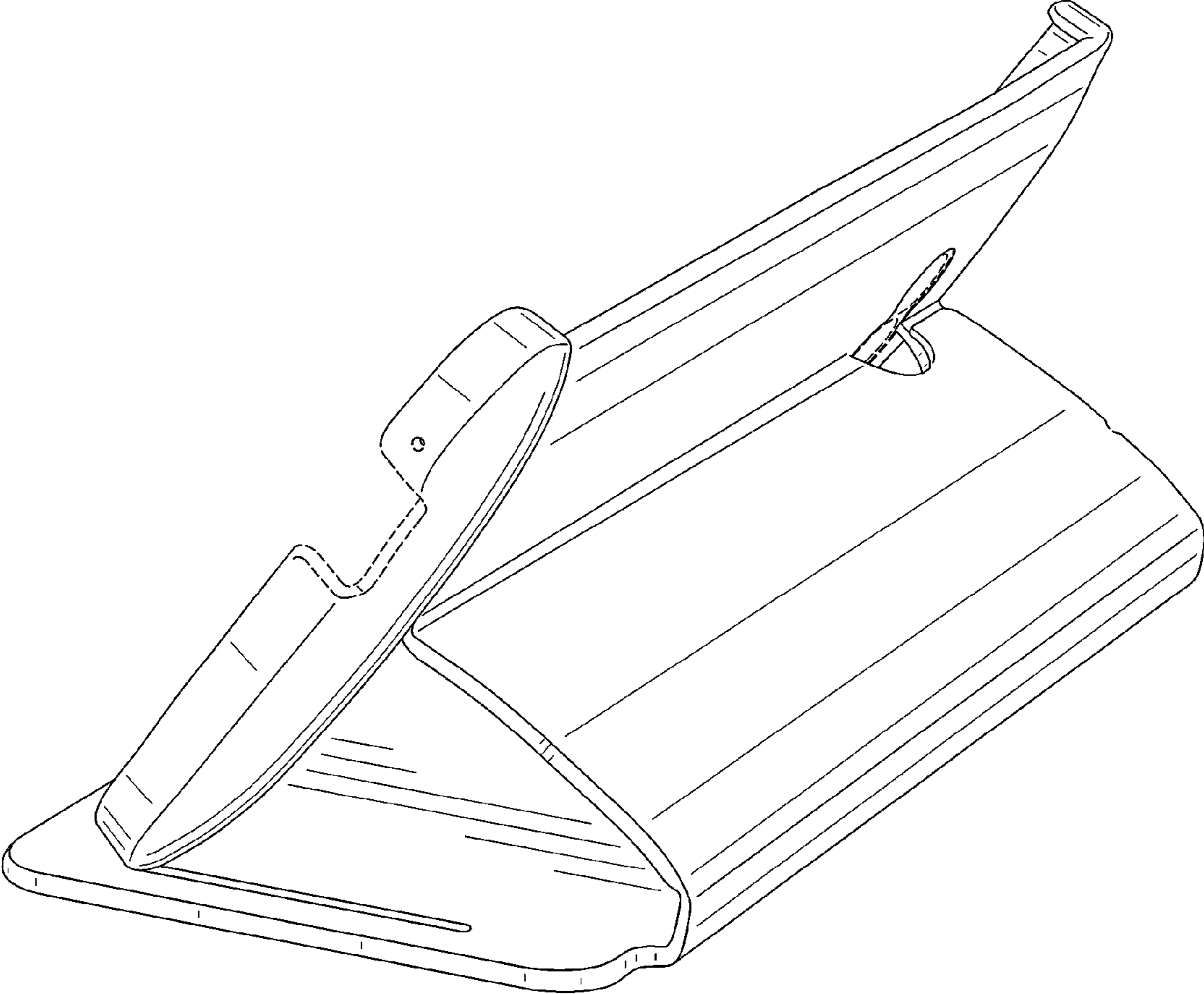


FIG. 9

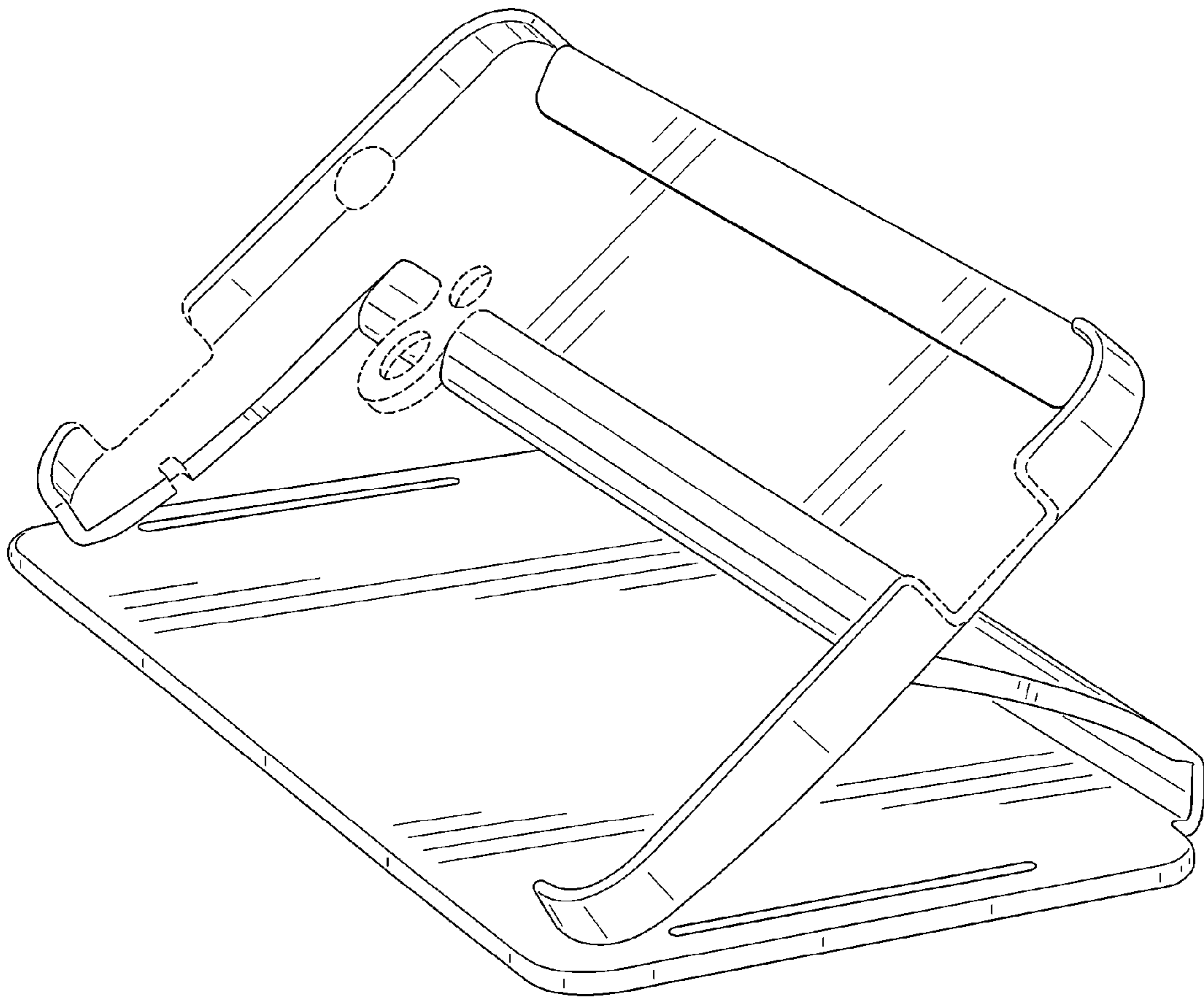


FIG. 10

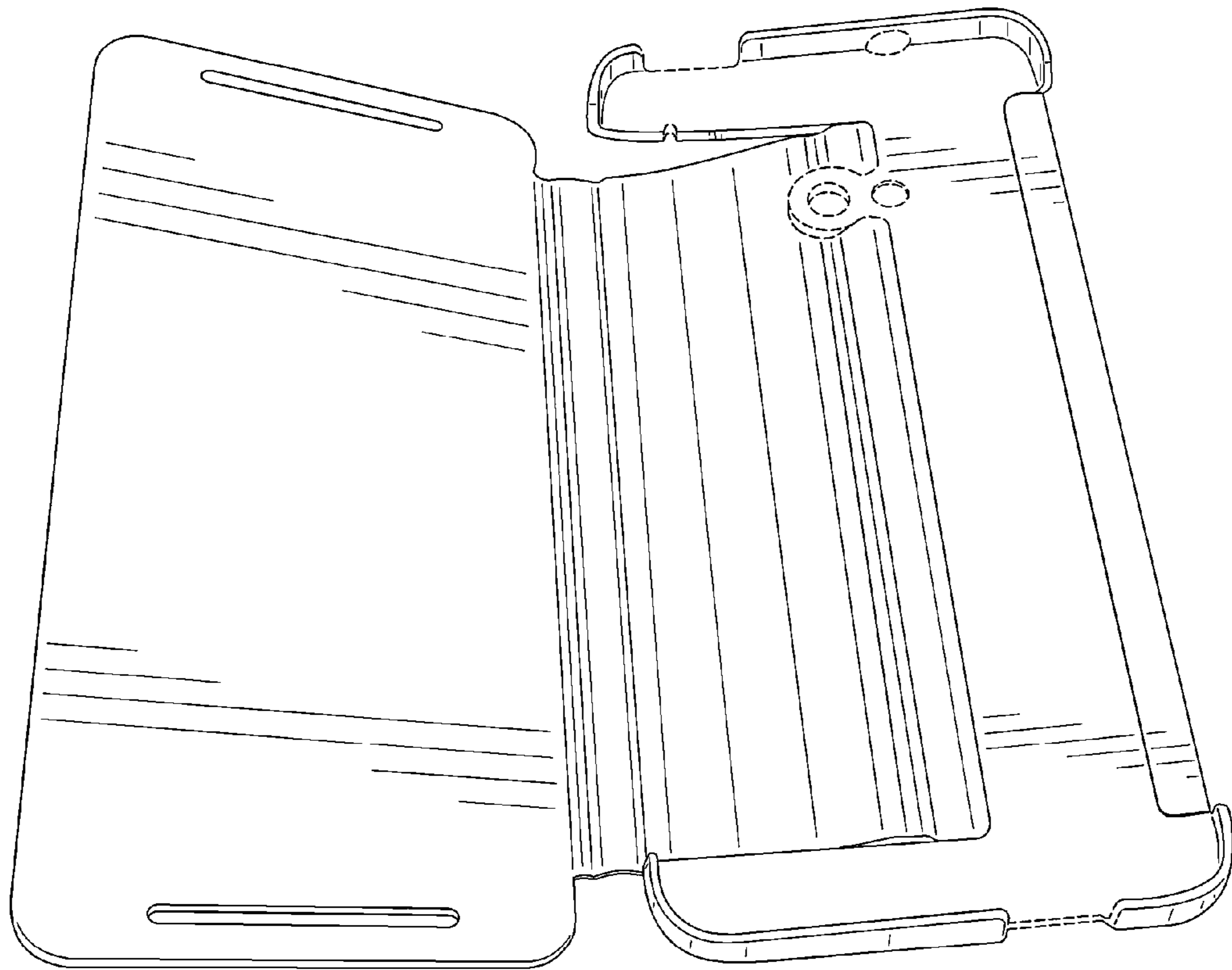


FIG. 11