

US00D698772S

(12) **United States Design Patent**
Merenda

(10) **Patent No.:** **US D698,772 S**
(45) **Date of Patent:** **** Feb. 4, 2014**

(54) **PROTECTIVE COVER**

(75) Inventor: **John T. Merenda**, New York, NY (US)
(73) Assignee: **Hybrid Skillz Inc.**, New York, NY (US)
(**) Term: **14 Years**
(21) Appl. No.: **29/430,245**
(22) Filed: **Aug. 23, 2012**

Related U.S. Application Data

(63) Continuation-in-part of application No. 29/417,184, filed on Mar. 30, 2012, now Pat. No. Des. 667,823.
(51) **LOC (10) Cl.** **14-03**
(52) **U.S. Cl.**
USPC **D14/250**
(58) **Field of Classification Search**
USPC D14/250–253, 440, 203.3–203.7, 217, D14/496, 248, 238.1, 240, 447, 341–347, D14/444; D13/103, 107–108, 119; D3/201, D3/218, 247, 269, 273, 301, 303; 248/309.1, 371, 176.3, 668; 361/679.56, 679.3, 679.25, 816; 379/426, 433.11, 455; 455/575.1, 455/575.8; 206/305, 320; 320/108, 115; 429/96; 220/4.02; 150/165

See application file for complete search history.

(56) **References Cited**

U.S. PATENT DOCUMENTS

4,584,718 A 4/1986 Fuller
D301,034 S 5/1989 Fujita et al.
4,942,617 A 7/1990 Boylan
5,422,957 A 6/1995 Cummins
D397,246 S 8/1998 Hoofnagle et al.
D407,367 S * 3/1999 Page et al. D13/103
D414,178 S 9/1999 Loubert et al.
D427,170 S 6/2000 Edwards et al.

D434,739 S 12/2000 Hanna et al.
6,301,487 B1 10/2001 Nakamura
6,542,757 B2 4/2003 Bae
6,633,770 B1 10/2003 Gitzinger
6,701,159 B1 * 3/2004 Powell 455/575.8
6,712,304 B1 3/2004 Taylor
6,731,956 B2 5/2004 Hanna
D510,722 S 10/2005 Kosiba et al.

(Continued)

OTHER PUBLICATIONS

www.quirky.com/ideations/165787, Automatic Wire Retractor Phone Case, dated Mar. 29, 2012, 1 page.

(Continued)

Primary Examiner — Carla Jobe Wright
(74) *Attorney, Agent, or Firm* — IM IP Law PLLC; C. Andrew Im

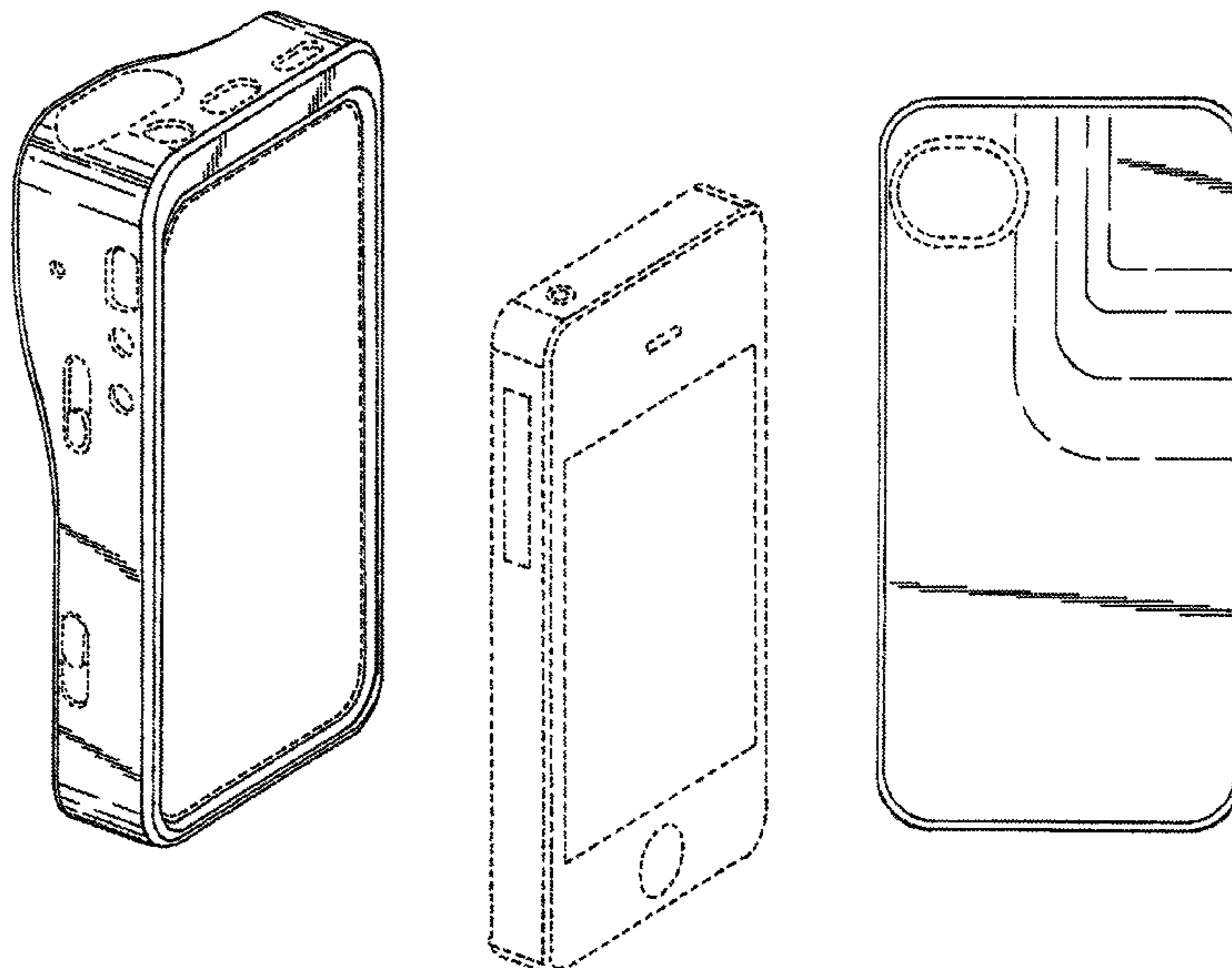
(57) **CLAIM**

The ornamental design for a protective cover, as shown and described.

DESCRIPTION

FIG. 1 is a front perspective view of a protective cover showing our new design.
FIG. 2 is a rear perspective view of the protective cover design shown in FIG. 1.
FIG. 3 is a front elevation view of FIG. 1.
FIG. 4 is a rear elevation view of FIG. 1.
FIG. 5 is a left side elevation view of FIG. 1.
FIG. 6 is a right side elevation view of FIG. 1.
FIG. 7 is a top plan view of FIG. 1; and,
FIG. 8 is bottom plan view of FIG. 1.
The broken lines immediately adjacent the claimed surfaces represent boundaries of the claimed design. All other broken lines depict unclaimed environment. The broken lines form no part of the claimed design.

1 Claim, 4 Drawing Sheets



(56)

References Cited

U.S. PATENT DOCUMENTS

7,032,728 B2 4/2006 Harcourt
 D523,808 S * 6/2006 Thor et al. D13/103
 7,086,512 B2 8/2006 Shack et al.
 7,180,735 B2 2/2007 Thomas
 D543,197 S 5/2007 Loughnane
 D551,846 S 10/2007 Ko et al.
 D553,852 S * 10/2007 Brandenburg D3/218
 D559,826 S 1/2008 Lee
 D560,911 S 2/2008 Hackbart et al.
 D565,291 S * 4/2008 Brandenburg et al. D3/218
 D574,819 S 8/2008 Andre et al.
 D603,603 S 11/2009 Laine et al.
 7,648,027 B2 1/2010 Lin et al.
 D609,900 S 2/2010 Behar et al.
 D611,251 S 3/2010 Charlwood
 D619,130 S 7/2010 Fellig
 D622,692 S 8/2010 McWilliam et al.
 D622,716 S 8/2010 Andre et al.
 D623,180 S 9/2010 Diebel
 D624,114 S 9/2010 Ausems et al.
 7,822,448 B2 10/2010 Lin
 D635,131 S 3/2011 Roman
 D639,052 S 6/2011 Fathollahi
 D651,791 S * 1/2012 Cataldo et al. D3/218
 D654,068 S 2/2012 Monaco et al.
 D654,483 S 2/2012 Richardson et al.
 D654,931 S 2/2012 Lemelman et al.
 D667,823 S * 9/2012 Merenda D14/250
 8,290,547 B2 * 10/2012 Cataldo et al. 455/575.1
 D674,748 S * 1/2013 Ferber et al. D13/108

D688,654 S * 8/2013 Stevinson D14/250
 2003/0096640 A1 5/2003 Bae
 2003/0157973 A1 8/2003 Yang
 2003/0224839 A1 12/2003 Takahashi et al.
 2004/0204165 A1 10/2004 Huang
 2005/0220316 A1 10/2005 Hsiang
 2005/0255898 A1 11/2005 Huang
 2006/0058081 A1 3/2006 Reichenbach
 2007/0165371 A1 7/2007 Brandenburg
 2010/0279743 A1 11/2010 Sim
 2011/0170732 A1 7/2011 Parker et al.
 2011/0203954 A1 * 8/2011 Kroupa 206/320
 2011/0233078 A1 9/2011 Monaco et al.
 2012/0074006 A1 * 3/2012 Monaco et al. 206/320
 2012/0077556 A1 * 3/2012 McKendrick 455/575.8

OTHER PUBLICATIONS

Ipod® Player Case with Retractable Stereo, <URL: <http://www.amazon.com/ipd%ae-player-retractable-stereo-headphones/dp/b000bt27mo>>.
 EarGears Phone Case with Built-in Retractable Headphones, shipping for iPhone 4 platform beginning Apr. 2012, <URL: <http://www.ear-gears.com/>>.
 Sangean DT-220A AM/FM Stereo Pocket Size Radio with Self-Storage Headphones, earliest customer review on Feb. 21, 2004 <URL: <http://www.amazon.com/sangean-dt-220a-stereo-self-storage-headphones/dp/b00008aybf>>.
 Azeca Clip-On Bluetooth Headset with retractable earbud, posted on Mar. 15, 2012, <URL: <http://thegeekchurch.com/wp-content/uploads/2012/03/azeca-retractable.png>>.

* cited by examiner

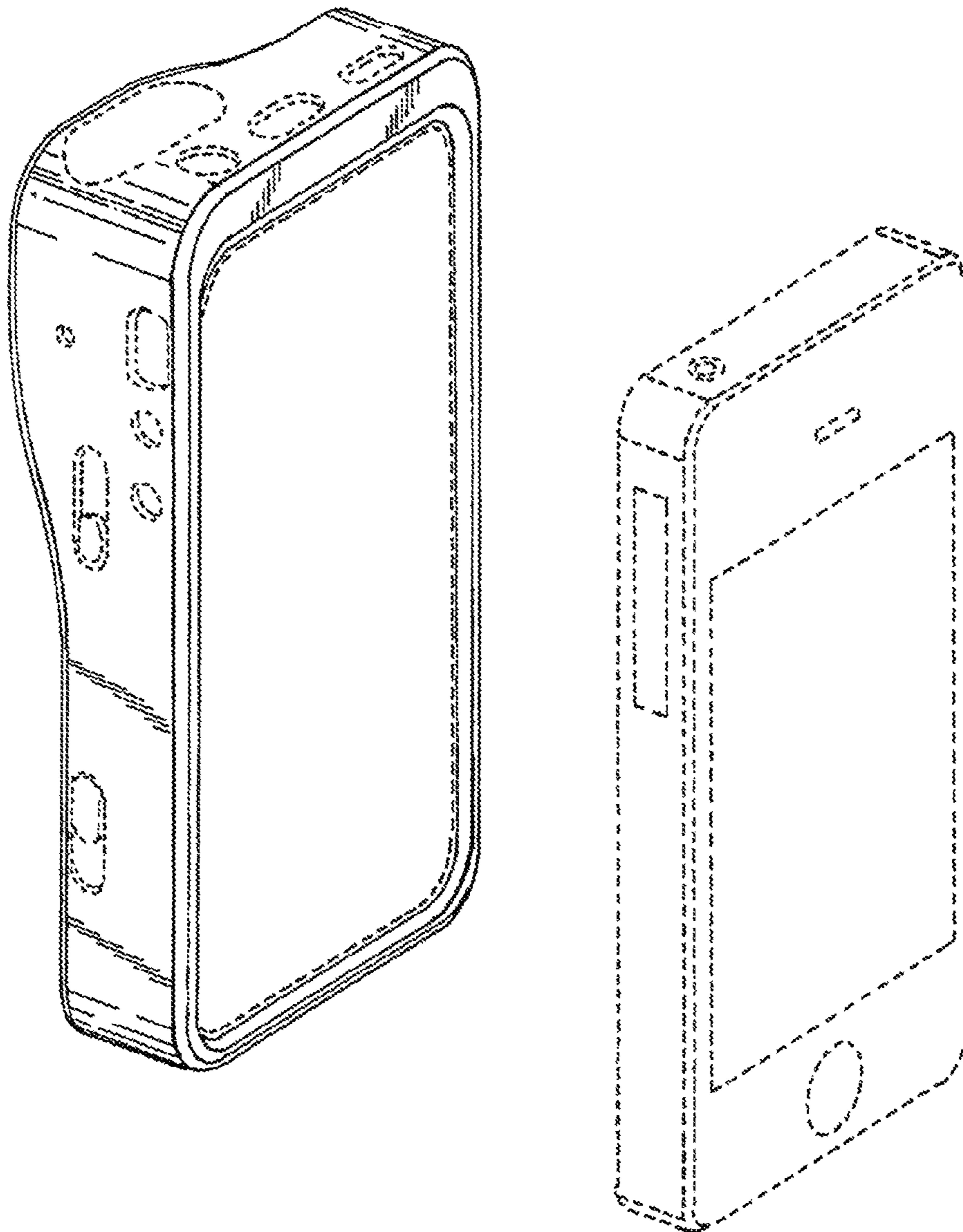


Fig. 1

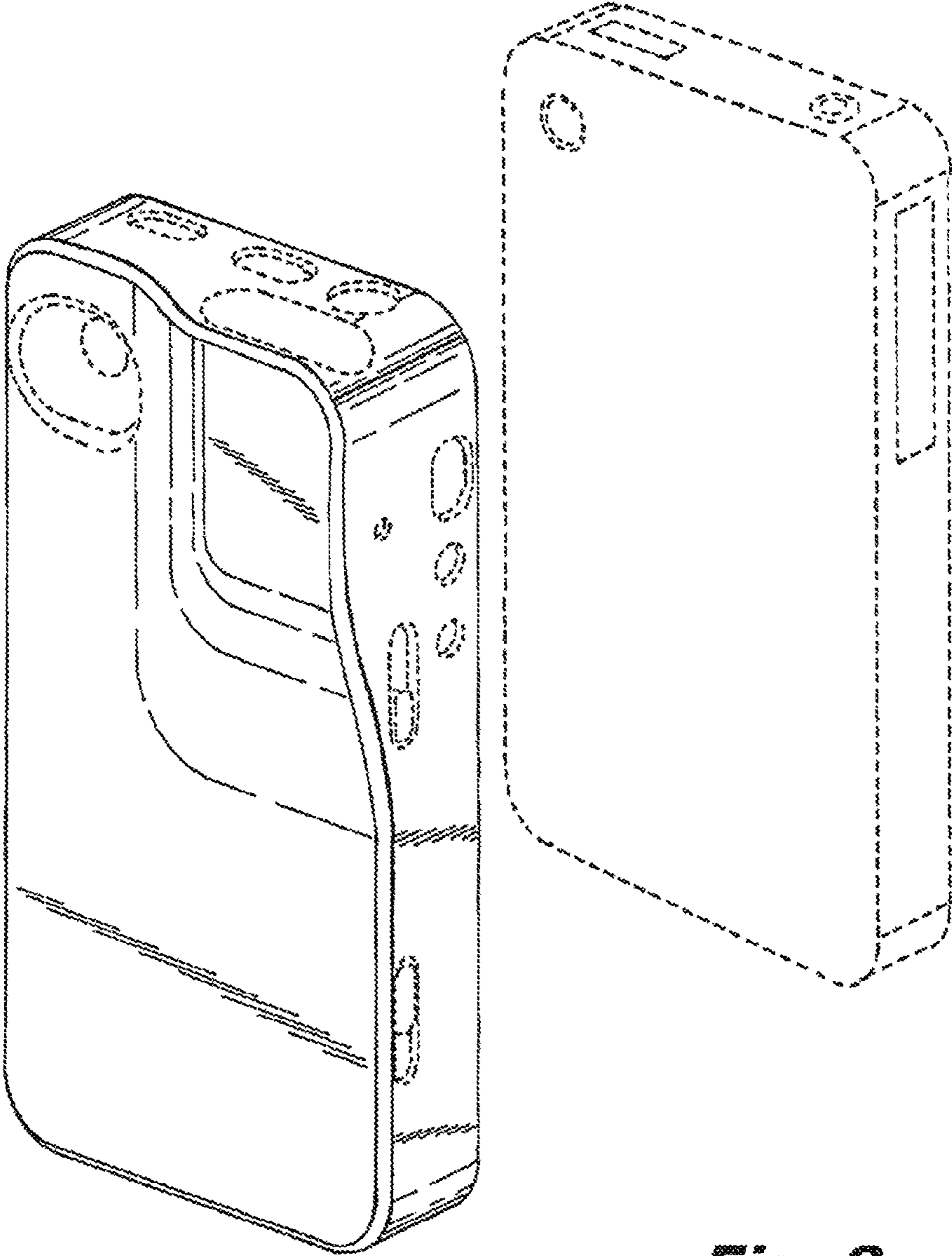


Fig. 2

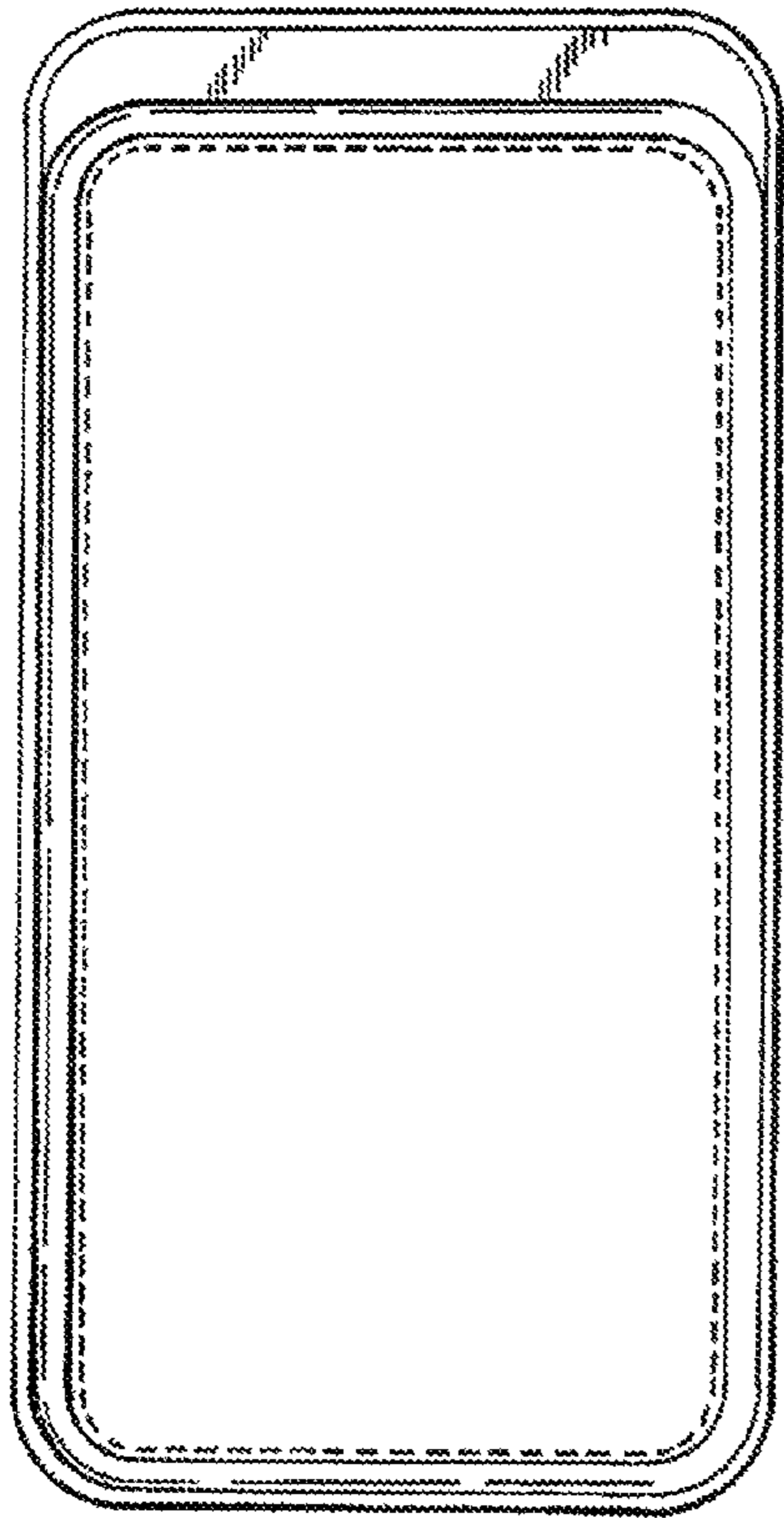


Fig. 3

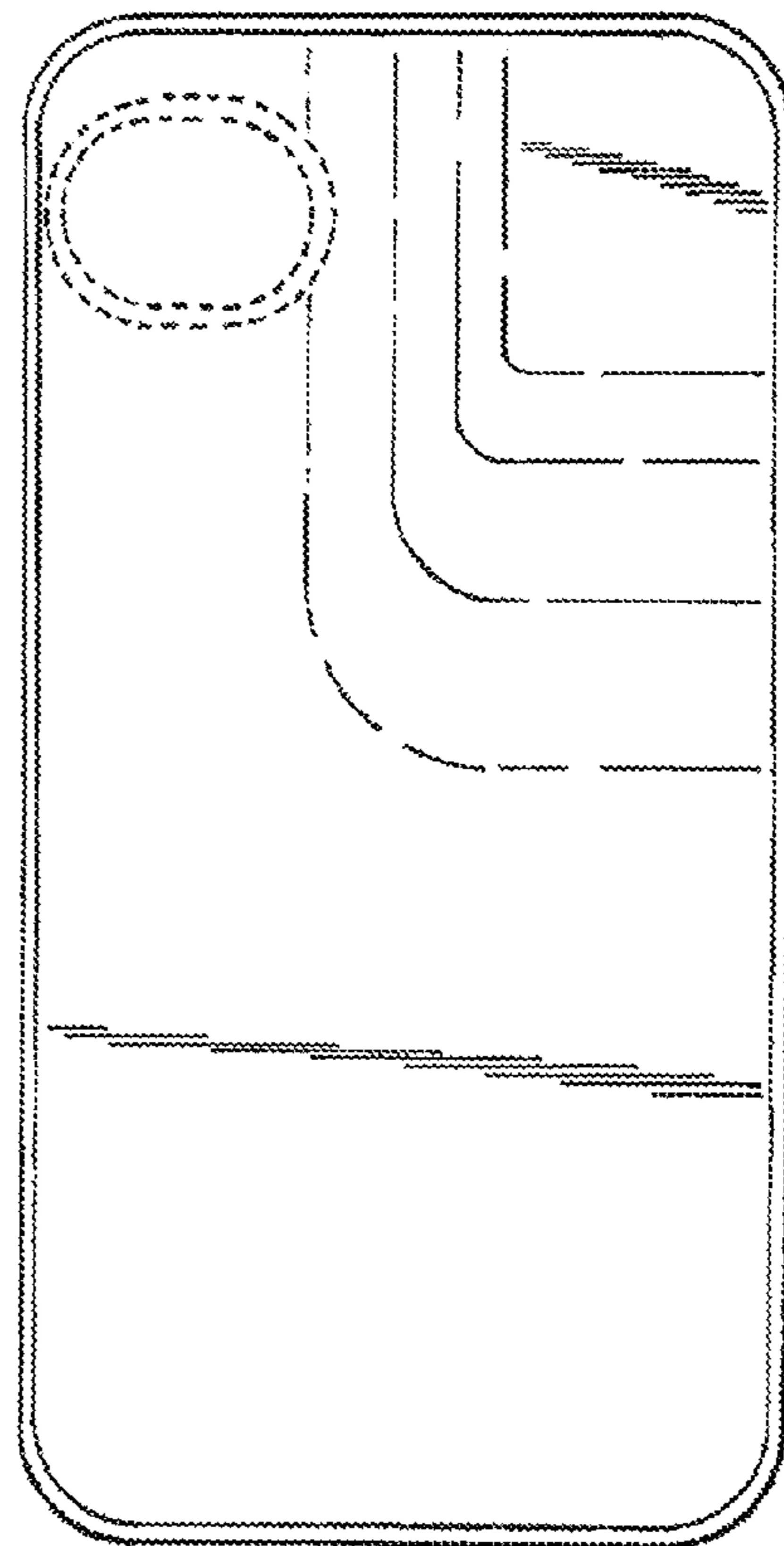


Fig. 4

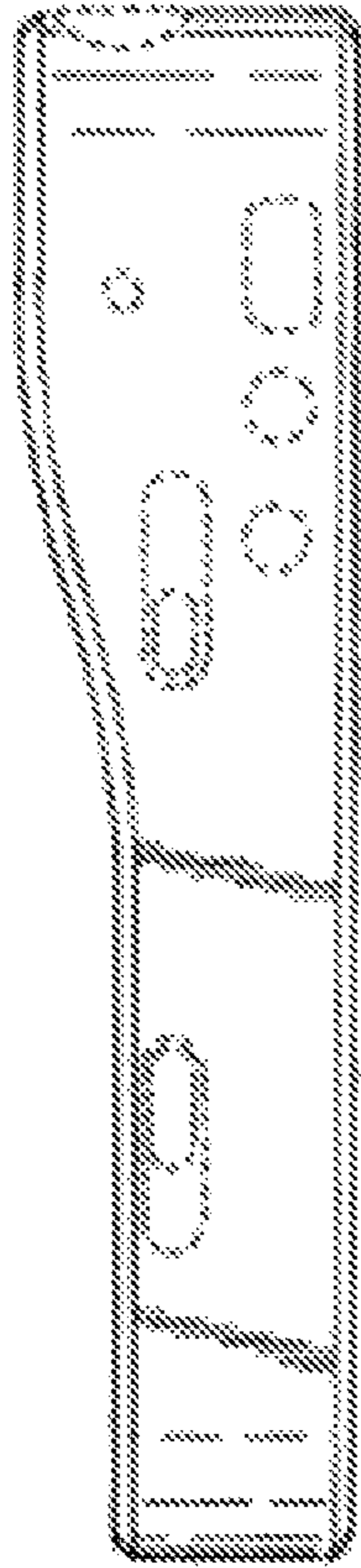


Fig. 5

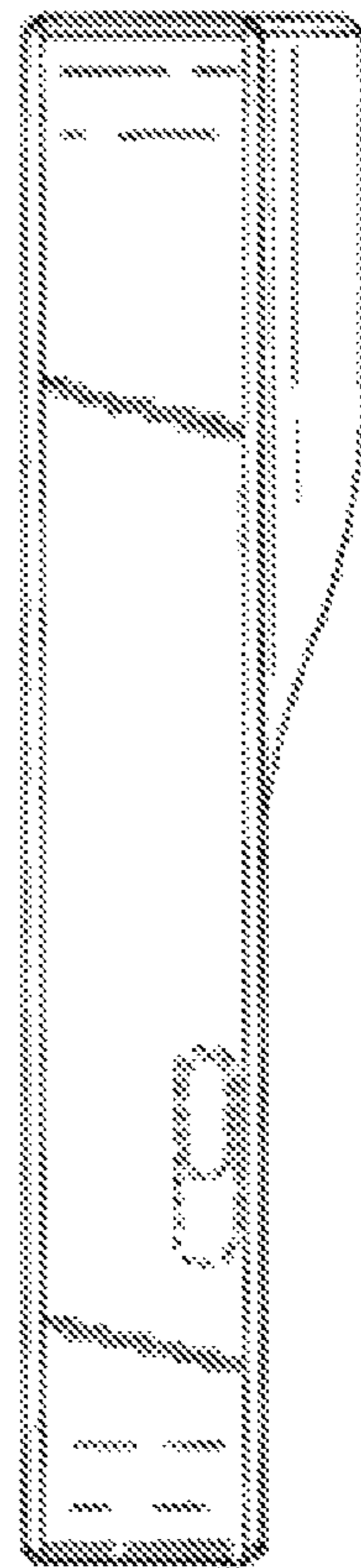


Fig. 6



Fig. 7



Fig. 8