



US00D698765S

(12) **United States Design Patent**  
**Bremaud et al.**

(10) **Patent No.:** **US D698,765 S**

(45) **Date of Patent:** **\*\* Feb. 4, 2014**

(54) **PORTABLE GLOBAL NAVIGATION  
SATELLITE SYSTEM SMART ANTENNA**

(71) Applicant: **Trimble Navigation Limited,**  
Sunnyvale, CA (US)

(72) Inventors: **Jean-Charles Bremaud,** Basse  
Groulaine (FR); **Jacques Charneau,**  
Nantes (FR)

(73) Assignee: **Trimble Navigation Limited,**  
Sunnyvale, CA (US)

(\*\*) Term: **14 Years**

(21) Appl. No.: **29/444,201**

(22) Filed: **Jan. 28, 2013**

(51) **LOC (10) Cl.** ..... **14-03**

(52) **U.S. Cl.**  
USPC ..... **D14/231**

(58) **Field of Classification Search**  
USPC ..... D14/230-238, 299; 343/700 R, 840,  
343/841, 908, 872; 455/3.02, FOR. 215,  
455/575.2

See application file for complete search history.

(56) **References Cited**

**U.S. PATENT DOCUMENTS**

3,045,236	A *	7/1962	Colman et al. ....	343/705
3,056,131	A *	9/1962	McCreary .....	343/781 R
D227,785	S *	7/1973	Kaysen .....	D14/233
D232,863	S *	9/1974	Tong .....	D14/192
D275,673	S *	9/1984	Iino et al. ....	D14/230
4,804,972	A *	2/1989	Schudel .....	343/840
D300,531	S *	4/1989	Higgins .....	D14/230
D308,521	S *	6/1990	Lonczak .....	D14/230
5,019,833	A *	5/1991	Nonaka .....	343/840
D327,690	S *	7/1992	Ogawa et al. ....	D14/230
D333,470	S *	2/1993	Vong .....	D14/230

D347,436	S *	5/1994	Tang .....	D14/230
D363,935	S *	11/1995	McGreevy .....	D14/230
D379,818	S *	6/1997	Aldama et al. ....	D14/230
D418,142	S *	12/1999	Liimatainen et al. ....	D14/230
D421,439	S *	3/2000	Giuntoli .....	D14/230
D426,827	S *	6/2000	Tsai Wang .....	D14/231
D427,996	S *	7/2000	Heiligenstein et al. ....	D14/230
D442,168	S *	5/2001	Warner et al. ....	D14/231
D444,144	S *	6/2001	Warner et al. ....	D14/231
D453,329	S *	2/2002	Muramatsu .....	D14/230
6,445,360	B2 *	9/2002	Al-Rawi et al. ....	343/840
6,512,490	B1 *	1/2003	Lee .....	343/882
6,606,075	B1 *	8/2003	Chun .....	343/890
D518,819	S *	4/2006	Gray .....	D14/230
D543,975	S *	6/2007	McCown .....	D14/230
D558,189	S *	12/2007	Inoue .....	D14/230
D585,883	S *	2/2009	Kaneko .....	D14/230
D598,902	S *	8/2009	Alber et al. ....	D14/230
D617,319	S *	6/2010	Maffetone et al. ....	D14/230
D631,873	S *	2/2011	Jin .....	D14/231
D643,412	S *	8/2011	Brady et al. ....	D14/218
D656,130	S *	3/2012	Bailey .....	D14/227
D656,132	S *	3/2012	Barin .....	D14/231

\* cited by examiner

*Primary Examiner* — John Windmuller

(57) **CLAIM**

We claim the ornamental design for a portable global navigation satellite system smart antenna, as shown and described.

**DESCRIPTION**

FIG. 1 is an upper front perspective view of a portable GNSS smart antenna showing our new design.

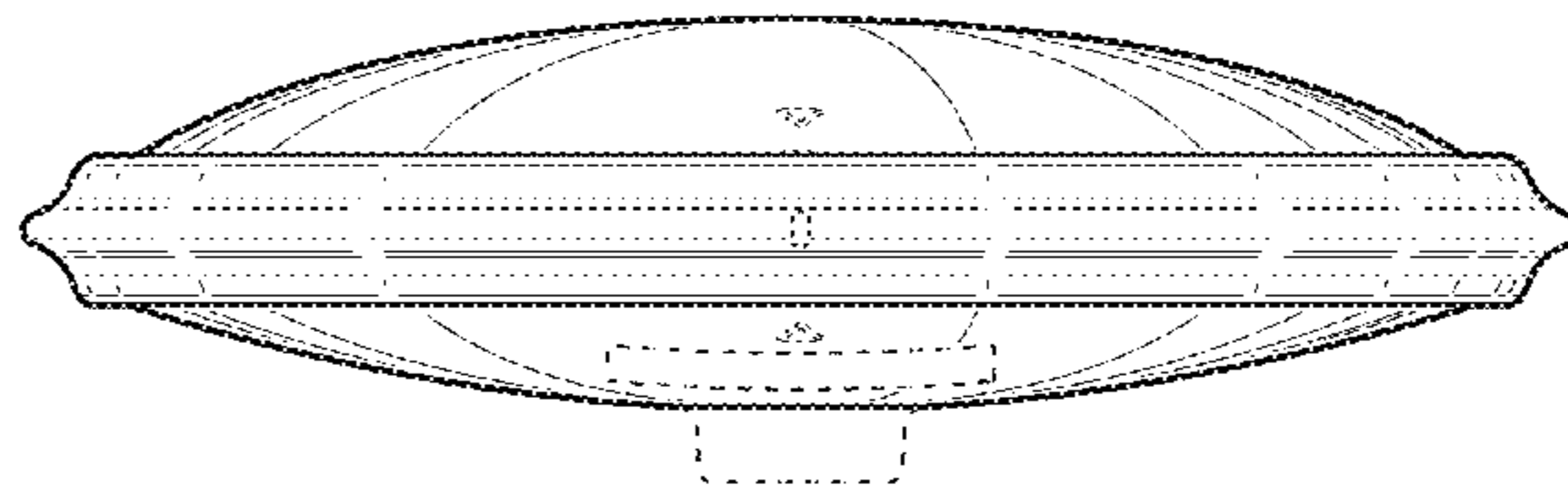
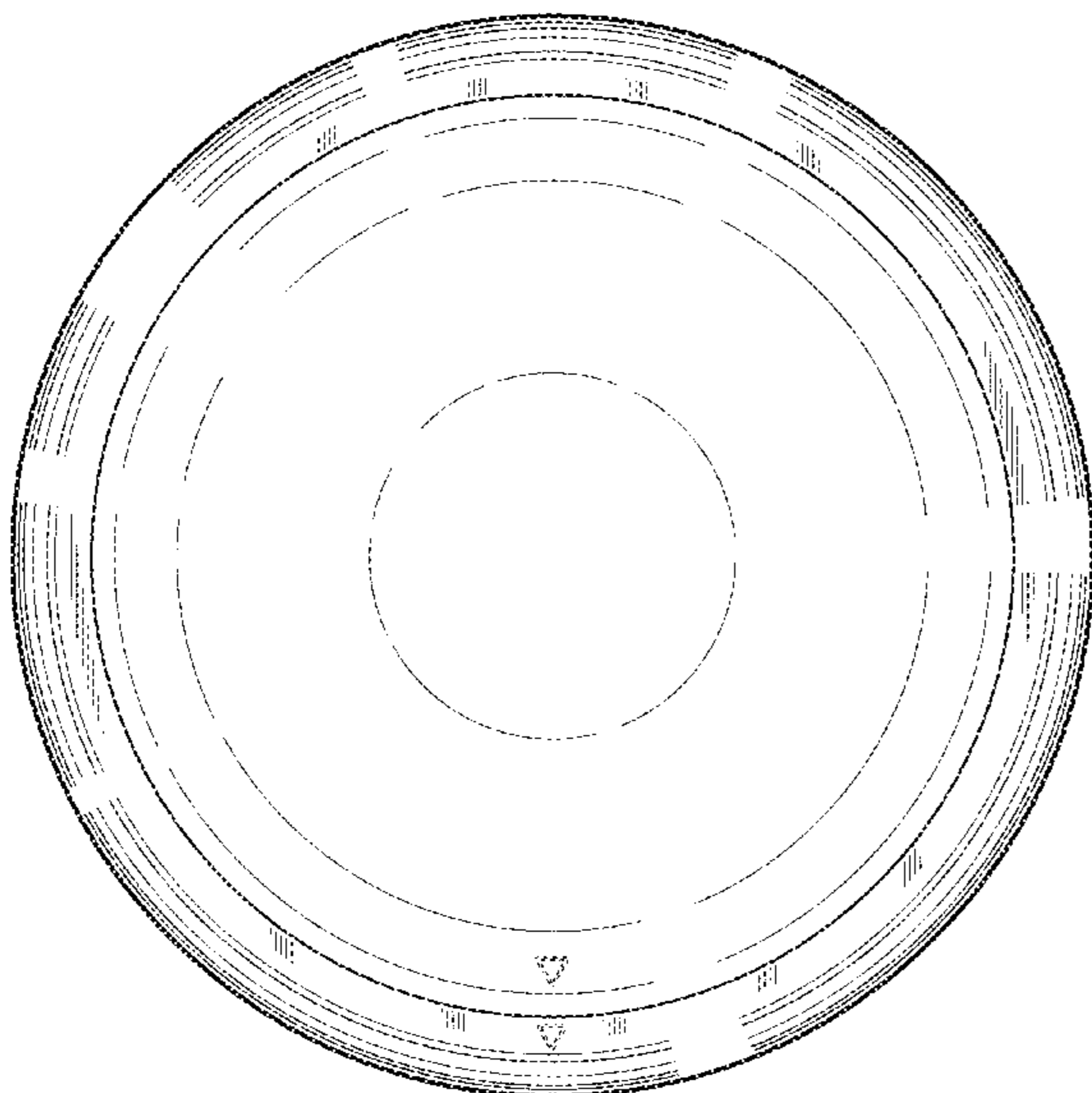
FIG. 2 is a top plan view thereof.

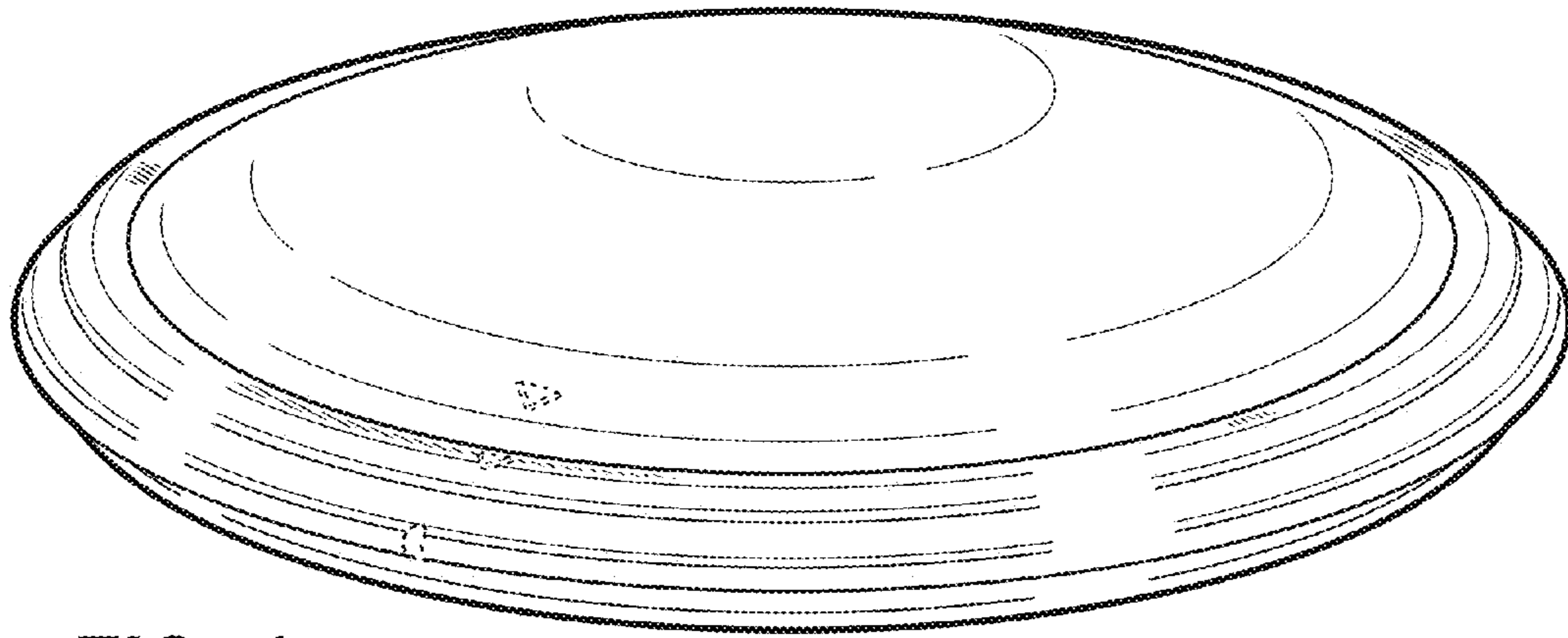
FIG. 3 is a front view thereof; and,

FIG. 4 is a bottom plan view thereof.

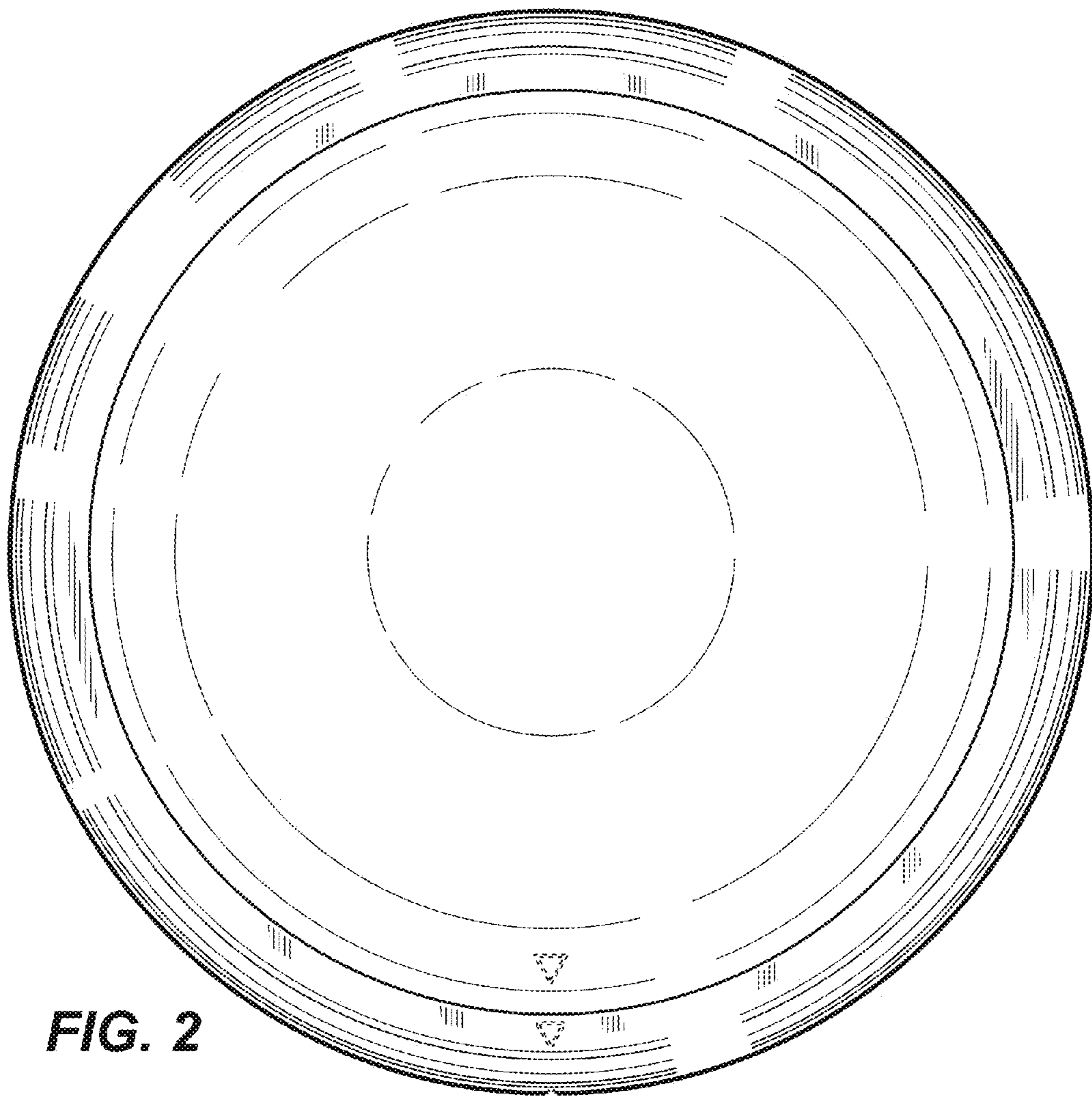
The broken lines in the figures depict portions of the antenna that form no part of the claimed design.

**1 Claim, 2 Drawing Sheets**

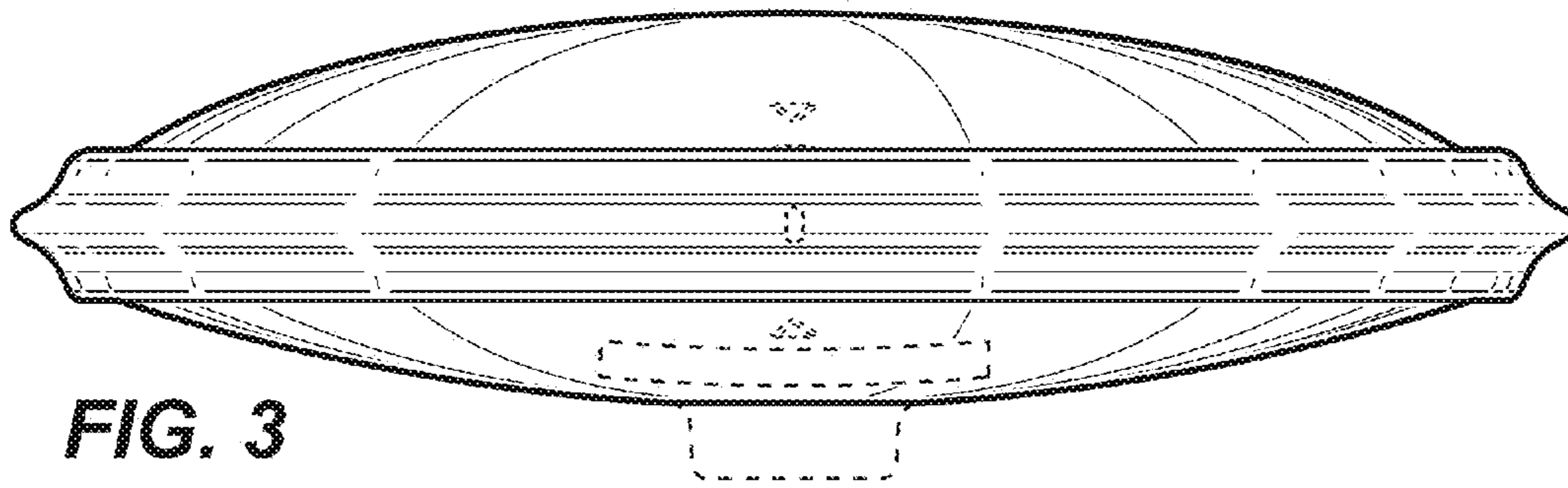




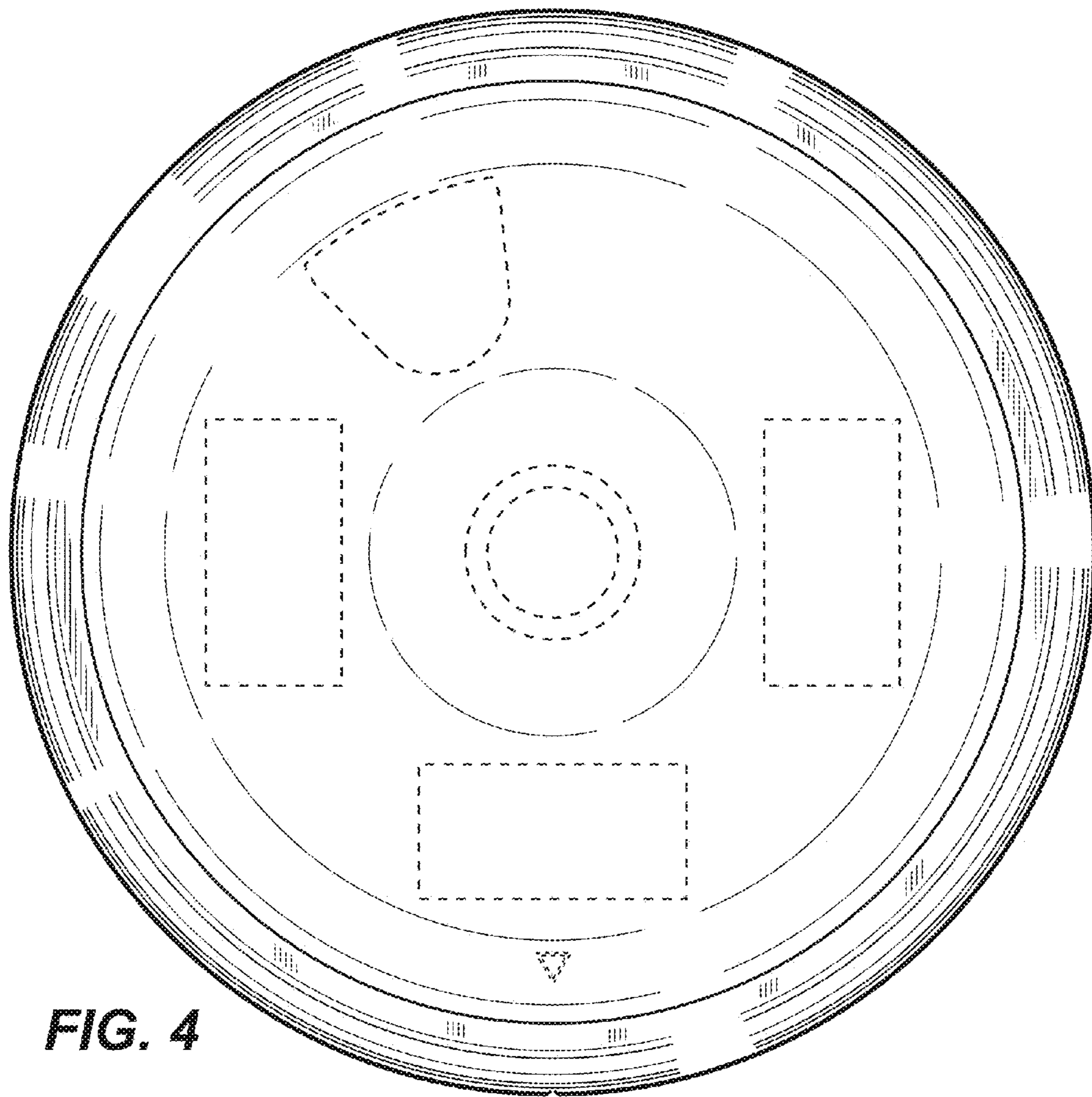
**FIG. 1**



**FIG. 2**



**FIG. 3**



**FIG. 4**