

US00D698762S

(12) **United States Design Patent**
Zheng et al.

(10) **Patent No.:** **US D698,762 S**
(45) **Date of Patent:** **** Feb. 4, 2014**

(54) **EARPHONE**

(56) **References Cited**

(71) Applicant: **Sony Corporation**, Tokyo (JP)

U.S. PATENT DOCUMENTS

(72) Inventors: **Qi Zheng**, Tokyo (JP); **Tomotsugu Minamikawa**, Tokyo (JP)

2,641,327 A	6/1953	Donald	
D242,724 S	12/1976	Brodie	
4,020,297 A	4/1977	Brodie	
4,617,431 A	10/1986	Scott et al.	
D311,521 S	10/1990	Jonsson et al.	
5,412,736 A	5/1995	Keliiliki	
D375,959 S	11/1996	Davis et al.	
5,625,171 A	4/1997	Marshall	
5,761,298 A	6/1998	Davis et al.	
D403,327 S	12/1998	Landreth et al.	
6,104,824 A	8/2000	Ito	
D441,739 S	5/2001	Hayes et al.	
D457,156 S	5/2002	Nguyen	
D474,178 S	5/2003	Eroma	
D501,196 S	1/2005	Dyer et al.	
D506,744 S *	6/2005	Andre et al.	D14/205
D512,992 S *	12/2005	Murakami	D14/223
7,003,127 B1	2/2006	Sjursen et al.	
7,010,137 B1	3/2006	Leedom et al.	

(73) Assignee: **Sony Corporation**, Tokyo (JP)

(**) Term: **14 Years**

(21) Appl. No.: **29/454,685**

(22) Filed: **May 13, 2013**

Related U.S. Application Data

(63) Continuation of application No. 29/421,744, filed on Sep. 13, 2012, now Pat. No. Des. 682,257, which is a continuation of application No. 29/371,938, filed on Feb. 1, 2012, now Pat. No. Des. 669,057.

(Continued)

Primary Examiner — Paula Greene

(74) *Attorney, Agent, or Firm* — Rader, Fishman & Grauer PLLC

(30) **Foreign Application Priority Data**

Aug. 2, 2011	(JP)	D2011-017731
Aug. 2, 2011	(JP)	D2011-017732
Aug. 12, 2011	(CN)	2011 3 269422
Aug. 12, 2011	(CN)	2011 3 0270343
Aug. 26, 2011	(JP)	D2011-019350
Aug. 30, 2011	(JP)	D2011-019595
Aug. 31, 2011	(CN)	2011 3 0302002

(57) **CLAIM**

The ornamental design for an earphone, as shown and described.

(51) **LOC (10) Cl.** **14-01**

(52) **U.S. Cl.**
USPC **D14/223**

DESCRIPTION

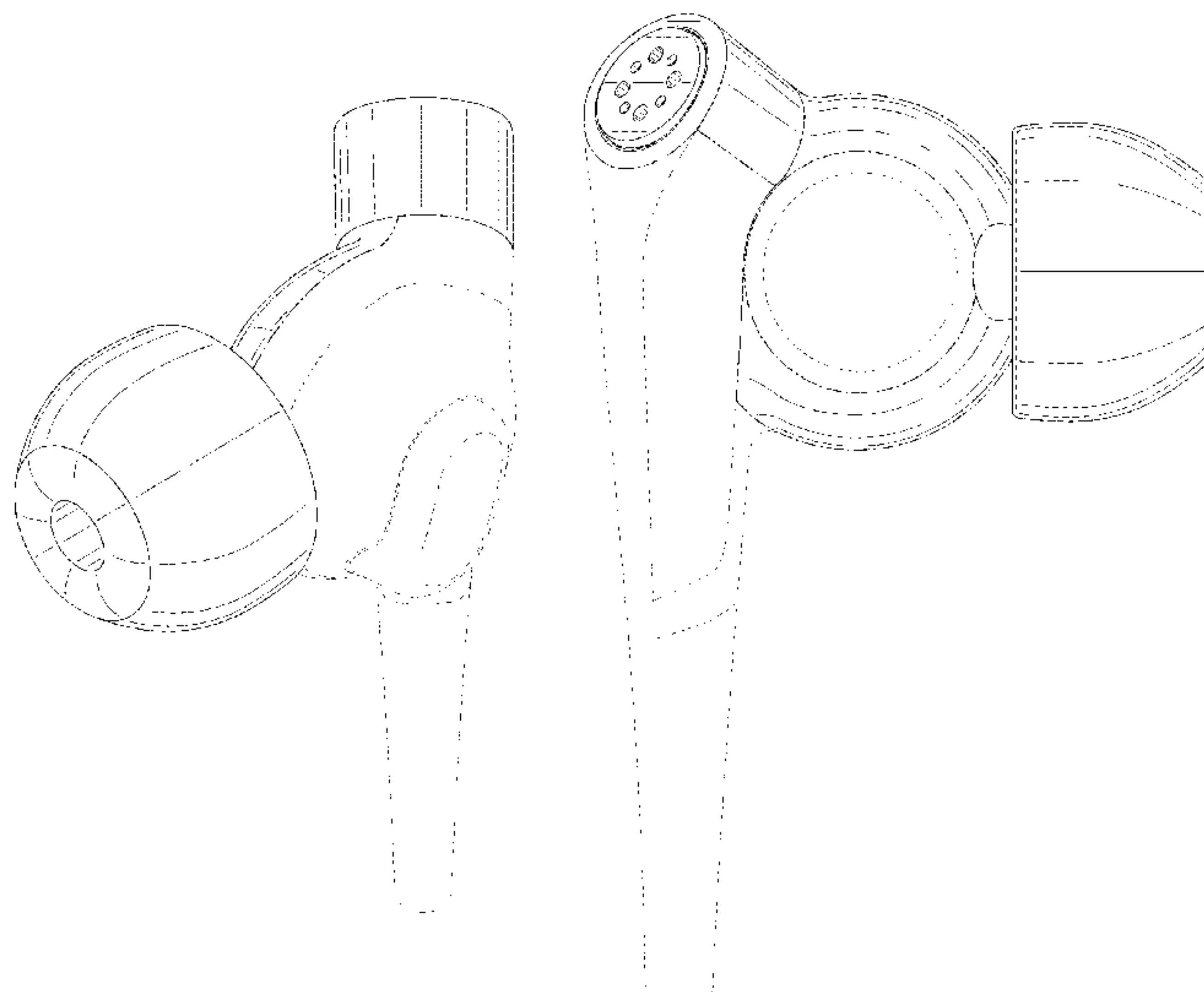
FIG. 1 is a perspective view of an earphone showing our new design;
FIG. 2 is a front elevational view thereof;
FIG. 3 is a rear elevational view thereof;
FIG. 4 is a left side elevational view thereof;
FIG. 5 is a right side elevational view thereof;
FIG. 6 is a top plan view thereof; and,
FIG. 7 is a bottom plan view thereof.

(58) **Field of Classification Search**
USPC D14/223; 181/129, 130, 135; 379/430, 379/431; 381/380, 381, 371; 455/90.3, 455/575.1

The portions indicated in broken lines are for illustrative purposes only and form no part of the claimed design. Dot-dash broken lines define the boundaries of, but are not included in, the claimed design.

See application file for complete search history.

1 Claim, 5 Drawing Sheets



(56)

References Cited

U.S. PATENT DOCUMENTS

7,089,042 B2	8/2006	Bodley	
7,092,543 B1	8/2006	Mahoney et al.	
D539,268 S *	3/2007	Suzuki	D14/206
D554,627 S *	11/2007	Gondo et al.	D14/223
D555,152 S	11/2007	Wang	
D556,740 S	12/2007	Xavier	
D558,110 S	12/2007	Ozeki et al.	
D564,495 S *	3/2008	Sasaki	D14/205
D565,557 S	4/2008	Kaneda	
D566,099 S *	4/2008	Komiyama	D14/206
D567,217 S	4/2008	Kamo et al.	
D575,772 S	8/2008	Schultz et al.	
D581,395 S	11/2008	Sade et al.	
D587,247 S *	2/2009	Densho	D14/223
D587,249 S *	2/2009	Densho	D14/223
D587,681 S *	3/2009	Yanai	D14/205
7,522,743 B2	4/2009	Dobras et al.	
7,542,582 B2	6/2009	Connors et al.	
D598,431 S *	8/2009	Densho	D14/223
7,570,777 B1	8/2009	Taenzer et al.	
D604,272 S *	11/2009	Kitayama	D14/223
D605,636 S *	12/2009	Yang	D14/223
D610,129 S *	2/2010	Densho et al.	D14/223
7,708,110 B2	5/2010	Leong et al.	
D616,874 S *	6/2010	Matsuoka	D14/223
D618,211 S *	6/2010	Oguro et al.	D14/205
D619,561 S	7/2010	Yang	
D624,529 S *	9/2010	Huang	D14/223
D629,793 S *	12/2010	Goransson	D14/223
D631,470 S	1/2011	Yoneyama et al.	
D635,960 S	4/2011	Gondo et al.	
D637,180 S *	5/2011	Shimizu et al.	D14/223
D639,282 S *	6/2011	Ohuri et al.	D14/223
D639,283 S *	6/2011	Ozawa et al.	D14/223
D639,787 S	6/2011	Quek	
D641,011 S	7/2011	Gondo	
D642,163 S *	7/2011	Lee et al.	D14/223
D643,418 S	8/2011	Lee et al.	
D645,454 S	9/2011	Quek	
D645,458 S	9/2011	Silvestri et al.	
D667,817 S	9/2012	Otani	
D669,057 S *	10/2012	Zheng et al.	D14/223
D669,058 S	10/2012	Lee et al.	
D670,274 S	11/2012	Katsumata et al.	
D671,530 S *	11/2012	Yang	D14/223
D679,682 S *	4/2013	Shimizu et al.	D14/223
D682,257 S *	5/2013	Zheng et al.	D14/223
D683,332 S *	5/2013	Lee et al.	D14/223
D685,769 S *	7/2013	Mogili	D14/223
D685,771 S *	7/2013	Bertenthal	D14/223
D686,597 S *	7/2013	Lee et al.	D14/223
2009/0141923 A1	6/2009	Smith	

* cited by examiner

FIG. 1

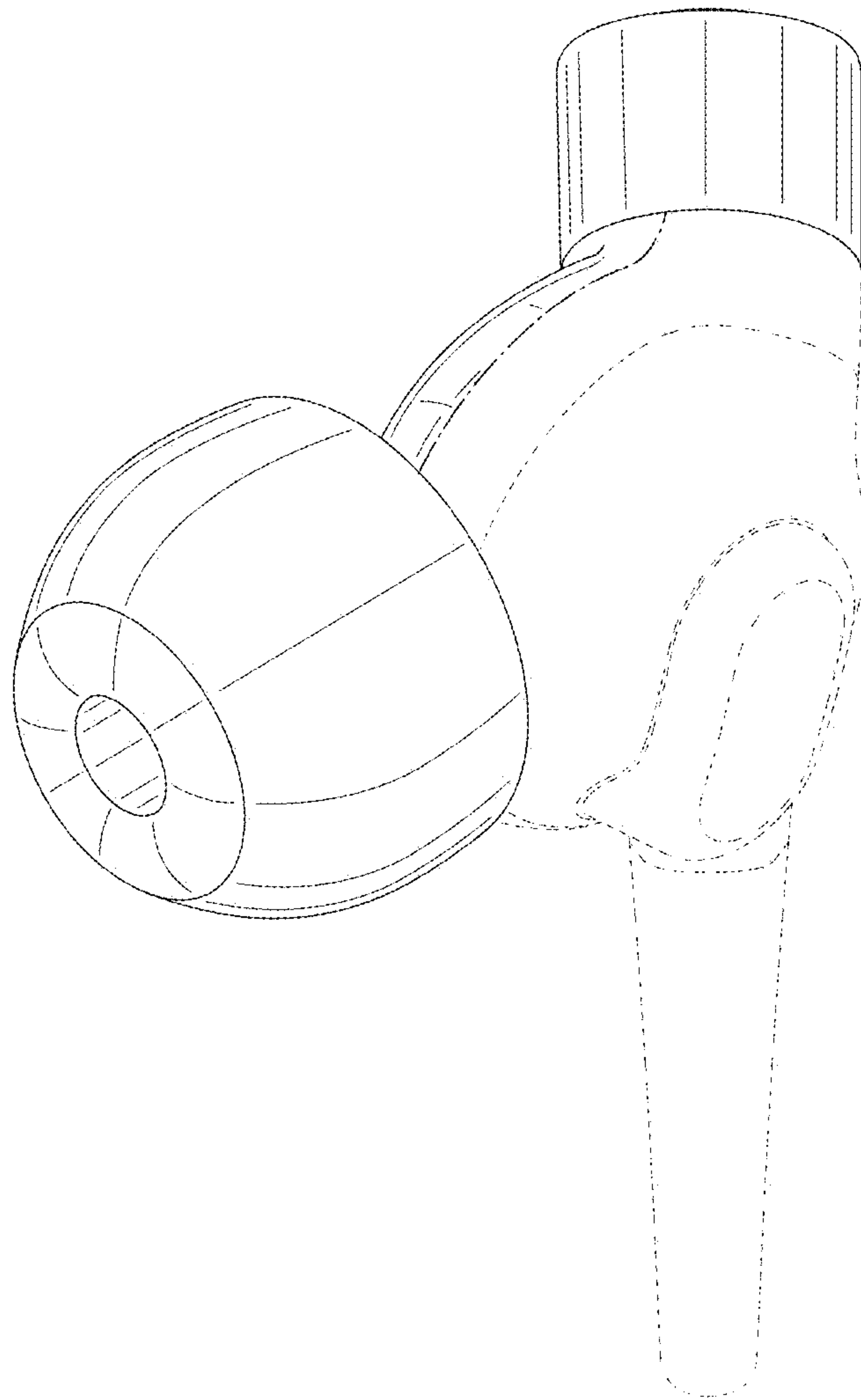


FIG.2

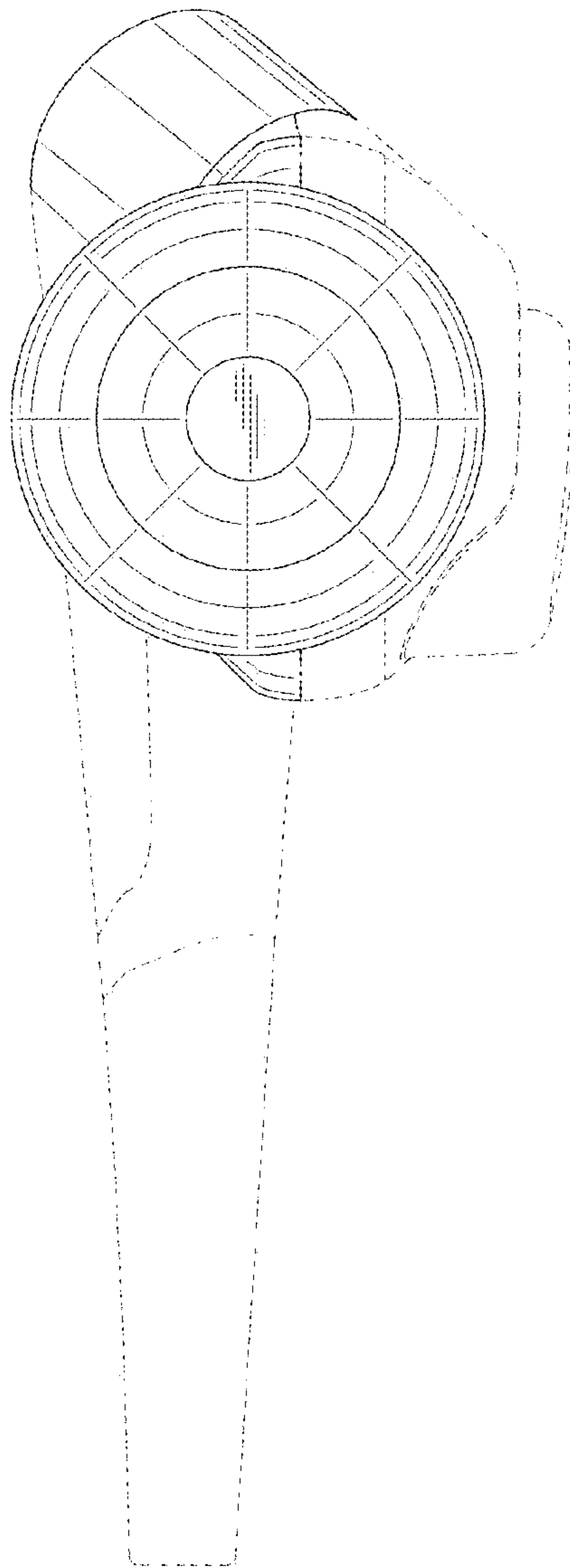


FIG.3

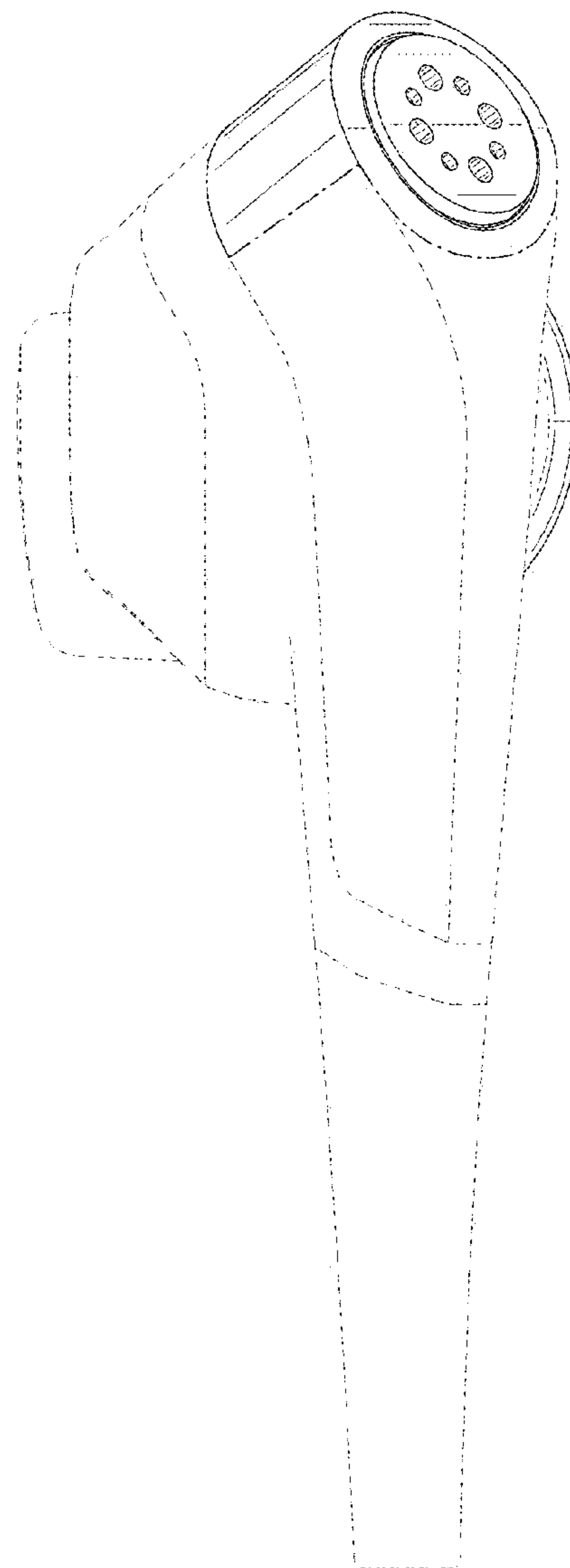


FIG.4

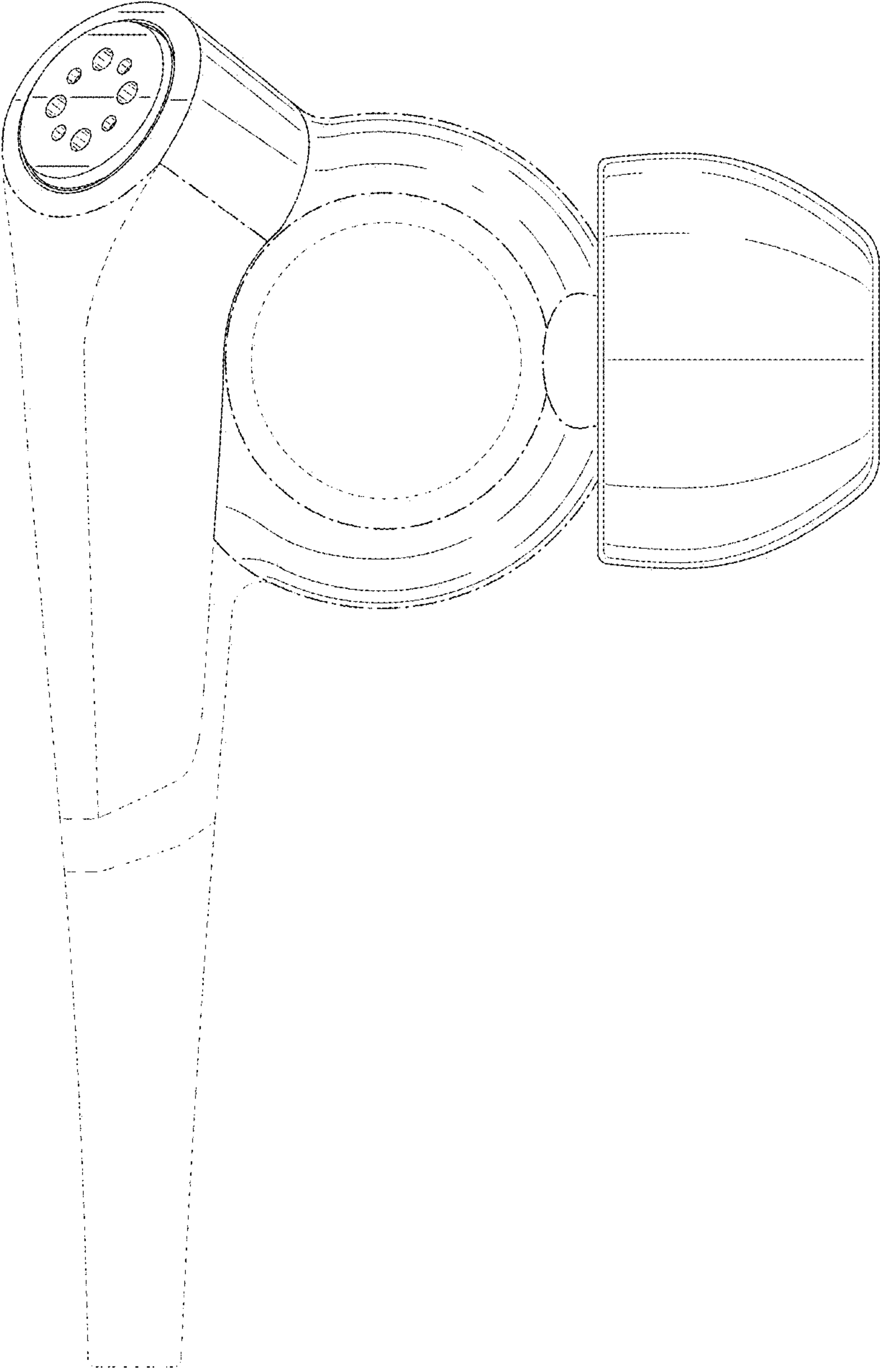


FIG.5

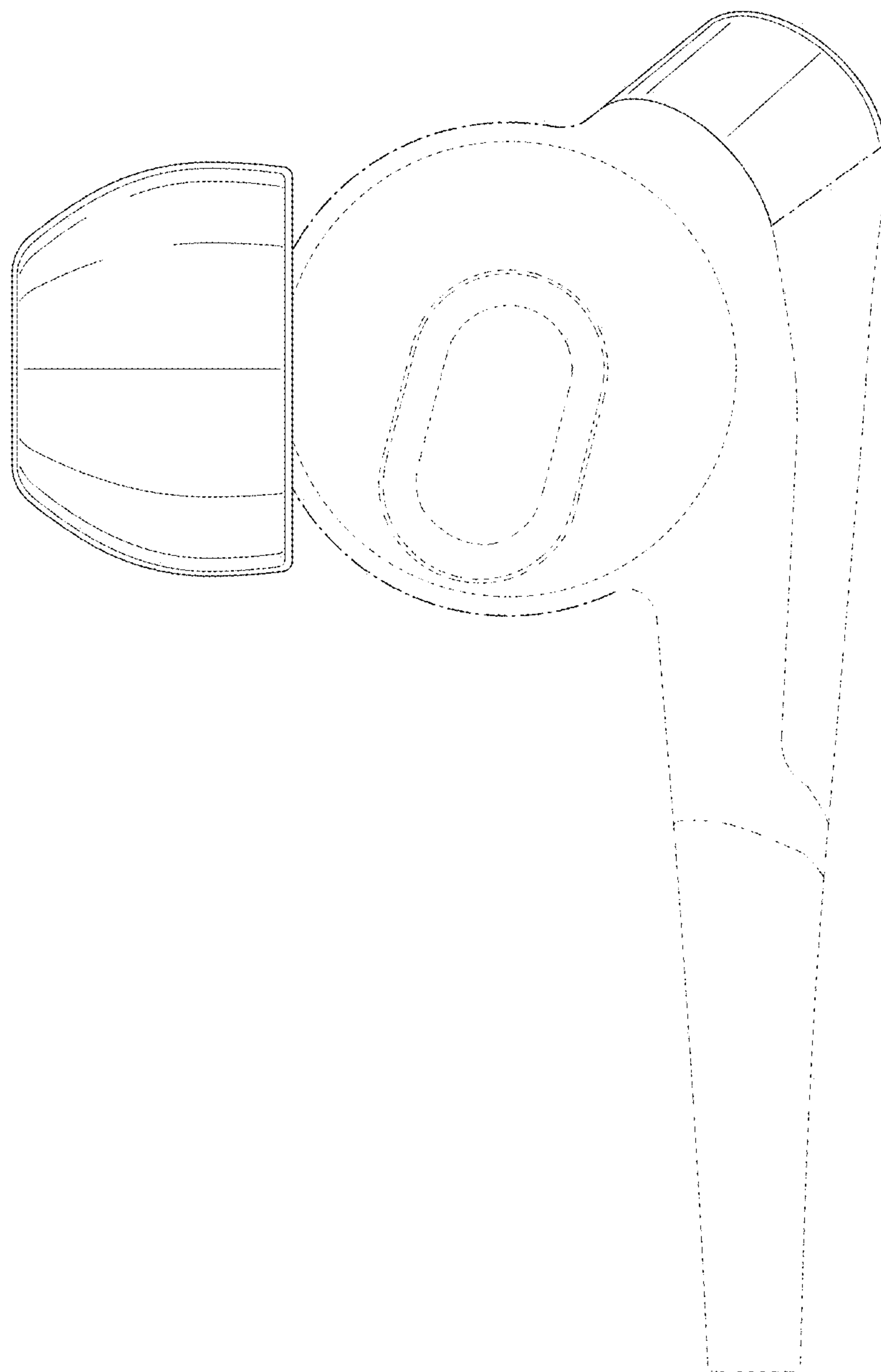


FIG.7

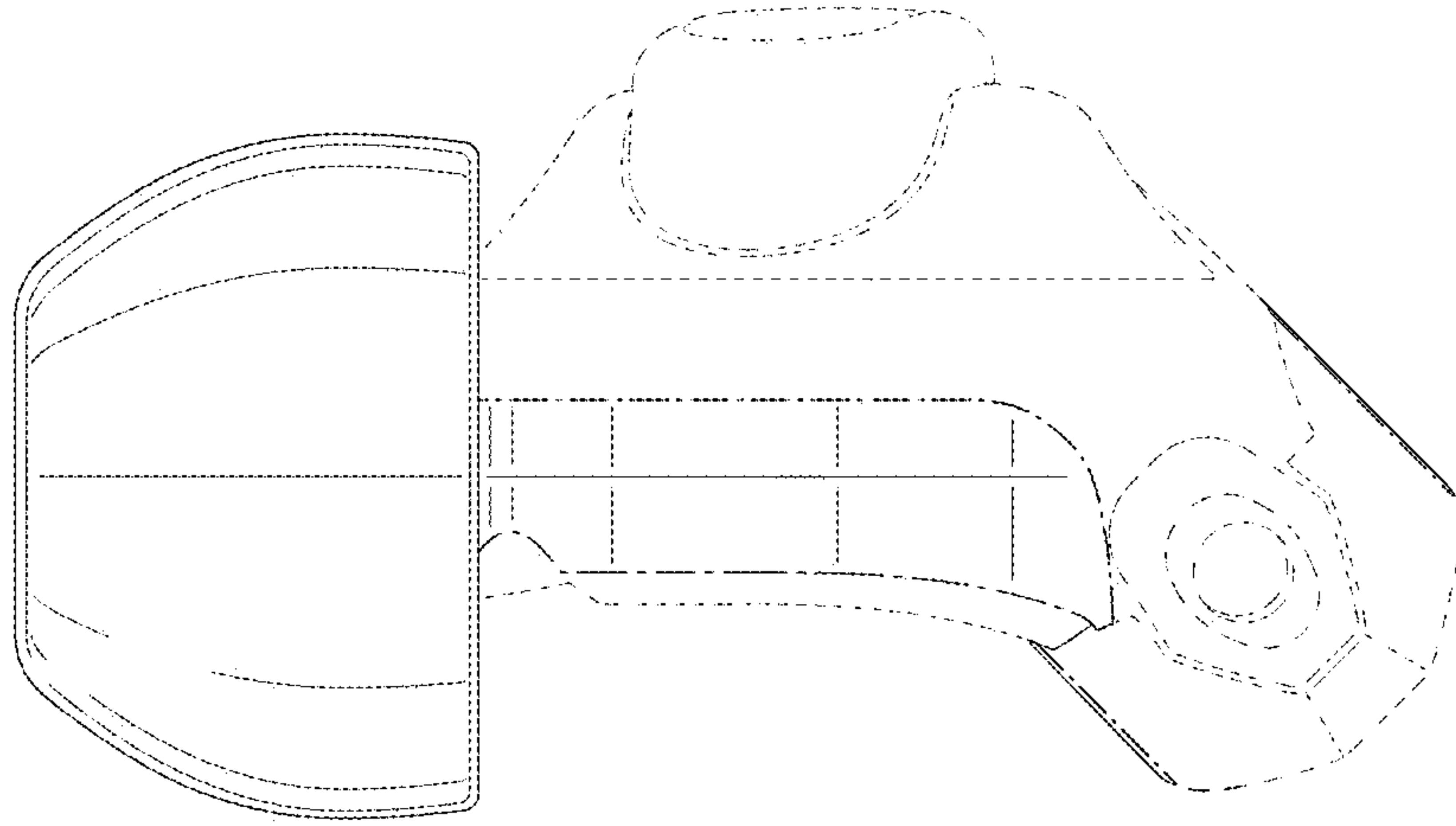


FIG.6

