

US00D698761S

(12) **United States Design Patent**
Bao

(10) **Patent No.:** **US D698,761 S**
(45) **Date of Patent:** **** Feb. 4, 2014**

(54) **EARPHONE**

(71) Applicant: **Han Bao**, Shenzhen (CN)

(72) Inventor: **Han Bao**, Shenzhen (CN)

(73) Assignees: **AAC Acoustic Technologies (Shenzhen) Co., Ltd.**, Shenzhen (CN);
American Audio Component (Changzhou) Co., Ltd., Changzhou (CN)

(**) Term: **14 Years**

(21) Appl. No.: **29/441,826**

(22) Filed: **Jan. 10, 2013**

(51) **LOC (10) Cl.** **14-01**

(52) **U.S. Cl.**
USPC **D14/223**

(58) **Field of Classification Search**
USPC D14/205, 223; D24/174; 181/129, 130, 181/135; 379/430, 431; 381/380, 381; 128/864, 865; 455/90.3, 575.1
See application file for complete search history.

(56) **References Cited**

U.S. PATENT DOCUMENTS

5,420,935	A	*	5/1995	Shinohara et al.	381/370
D431,553	S	*	10/2000	Suzuki	D14/223
D550,201	S	*	9/2007	Drambarean et al.	D14/205
D554,627	S	*	11/2007	Gondo	D14/223
D566,099	S	*	4/2008	Komiyama	D14/206
D567,217	S	*	4/2008	Kamo et al.	D14/205
D569,841	S	*	5/2008	Chung et al.	D14/205
D572,703	S	*	7/2008	Ledbetter et al.	D14/205
D576,154	S	*	9/2008	Ledbetter et al.	D14/223

D587,681	S	*	3/2009	Yanai	D14/205
D587,685	S	*	3/2009	Densho	D14/206
D590,375	S	*	4/2009	Komiyama	D14/223
D594,441	S	*	6/2009	Lee et al.	D14/205
D598,894	S	*	8/2009	Masuda et al.	D14/205
D599,778	S	*	9/2009	Ando	D14/205
D605,182	S	*	12/2009	Fagnot	D14/223
D605,628	S	*	12/2009	Ando	D14/205
D621,389	S	*	8/2010	Nagayama et al.	D14/223
D627,764	S	*	11/2010	Tsai et al.	D14/223
D631,034	S	*	1/2011	Yeo	D14/205
D642,163	S	*	7/2011	Lee et al.	D14/223
D648,317	S	*	11/2011	Katsuraku et al.	D14/205
D652,822	S	*	1/2012	Lee et al.	D14/223
D666,580	S	*	9/2012	Lee et al.	D14/223
D666,581	S	*	9/2012	Perez	D14/223
D686,597	S	*	7/2013	Lee et al.	D14/223

* cited by examiner

Primary Examiner — Paula Greene

(74) *Attorney, Agent, or Firm* — Anova Law Group, PLLC

(57) **CLAIM**

The ornamental design for an earphone, as shown and described.

DESCRIPTION

FIG. 1 is an isometric view of an earphone showing our new design;

FIG. 2 is a front view thereof;

FIG. 3 is a rear view thereof;

FIG. 4 is a left side view thereof;

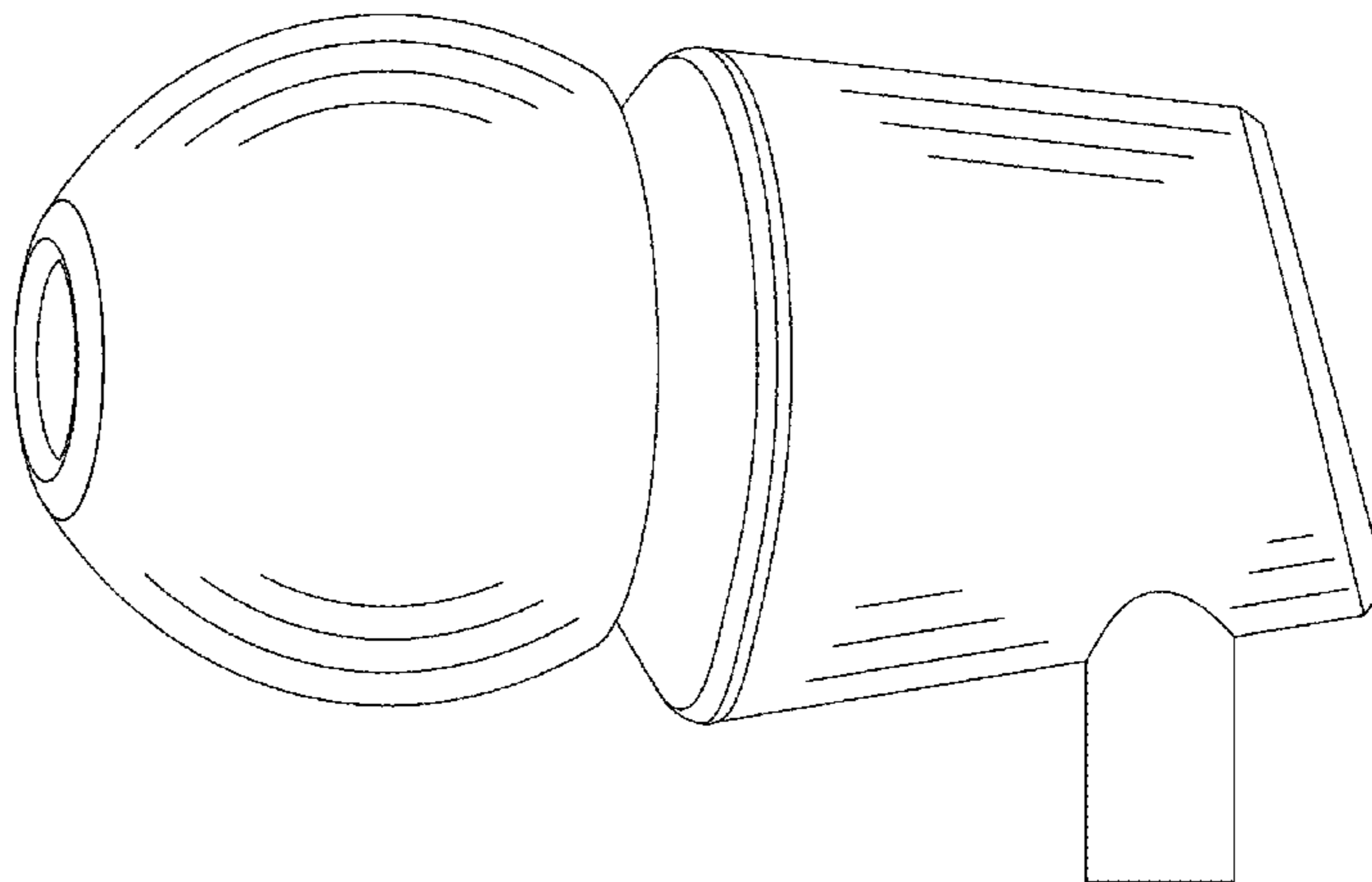
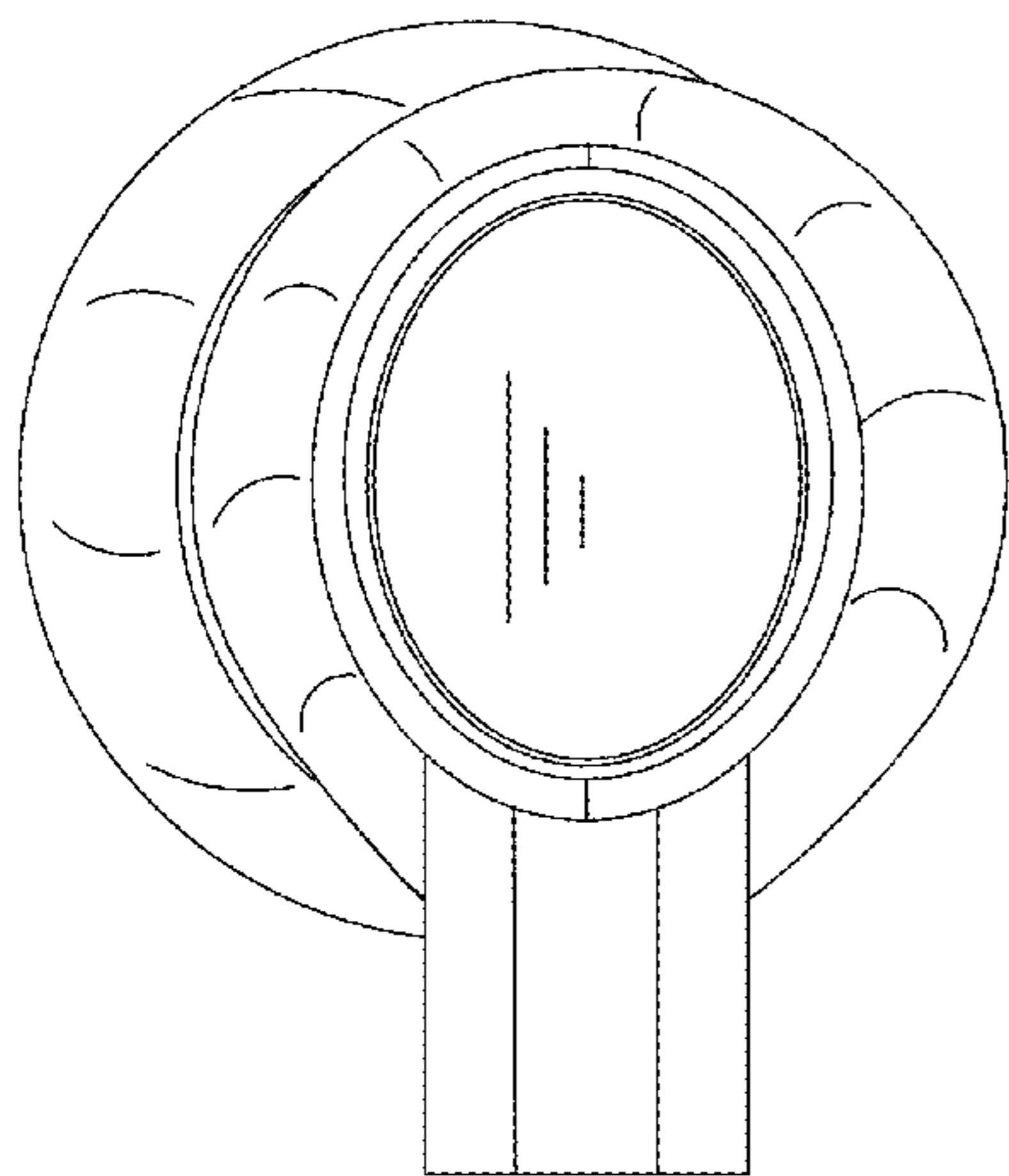
FIG. 5 is a right side view thereof;

FIG. 6 is a top view thereof; and,

FIG. 7 is a bottom view thereof.

The shade lines in the figures show contour and not surface ornamentation.

1 Claim, 7 Drawing Sheets



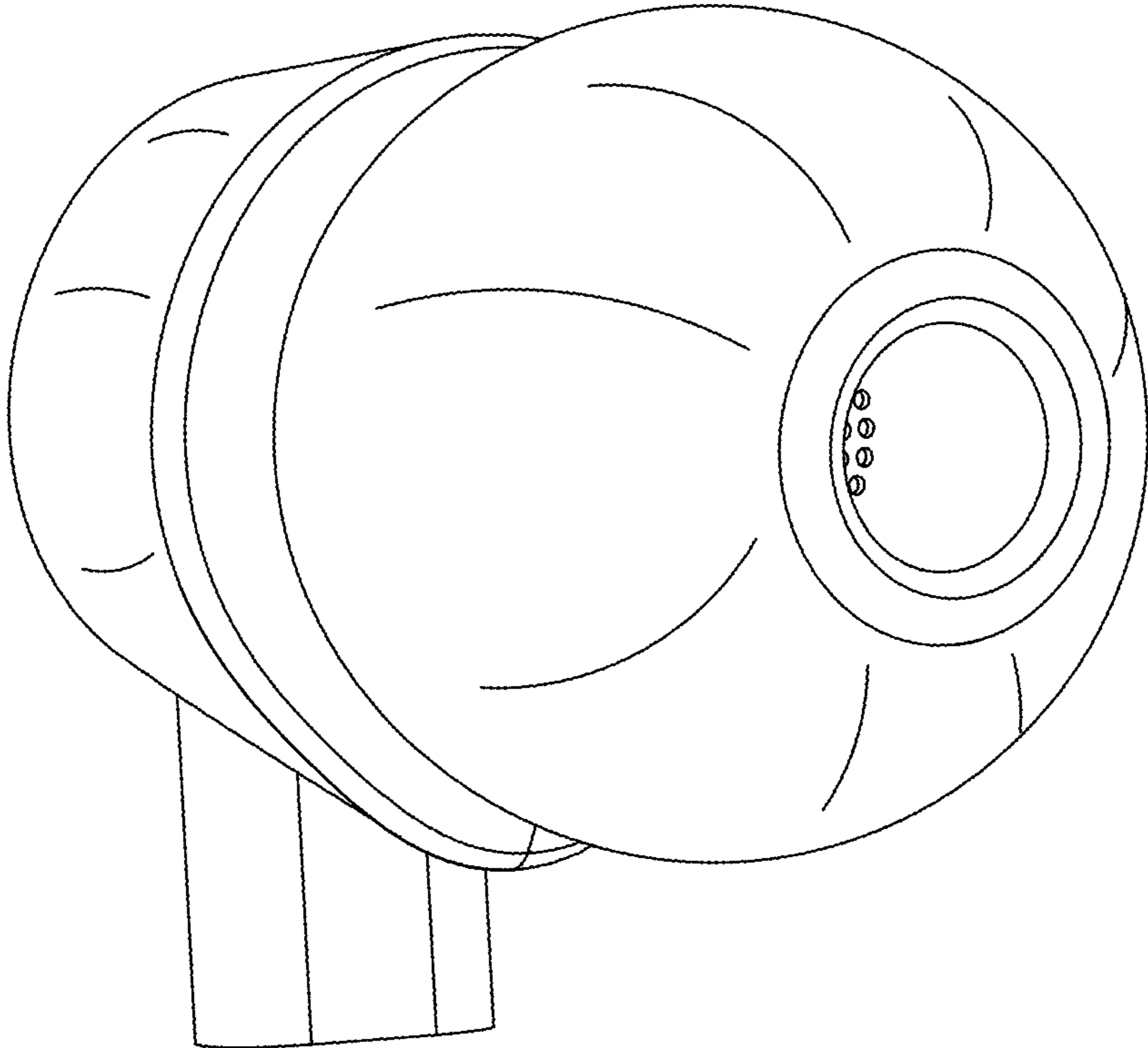


Fig. 1

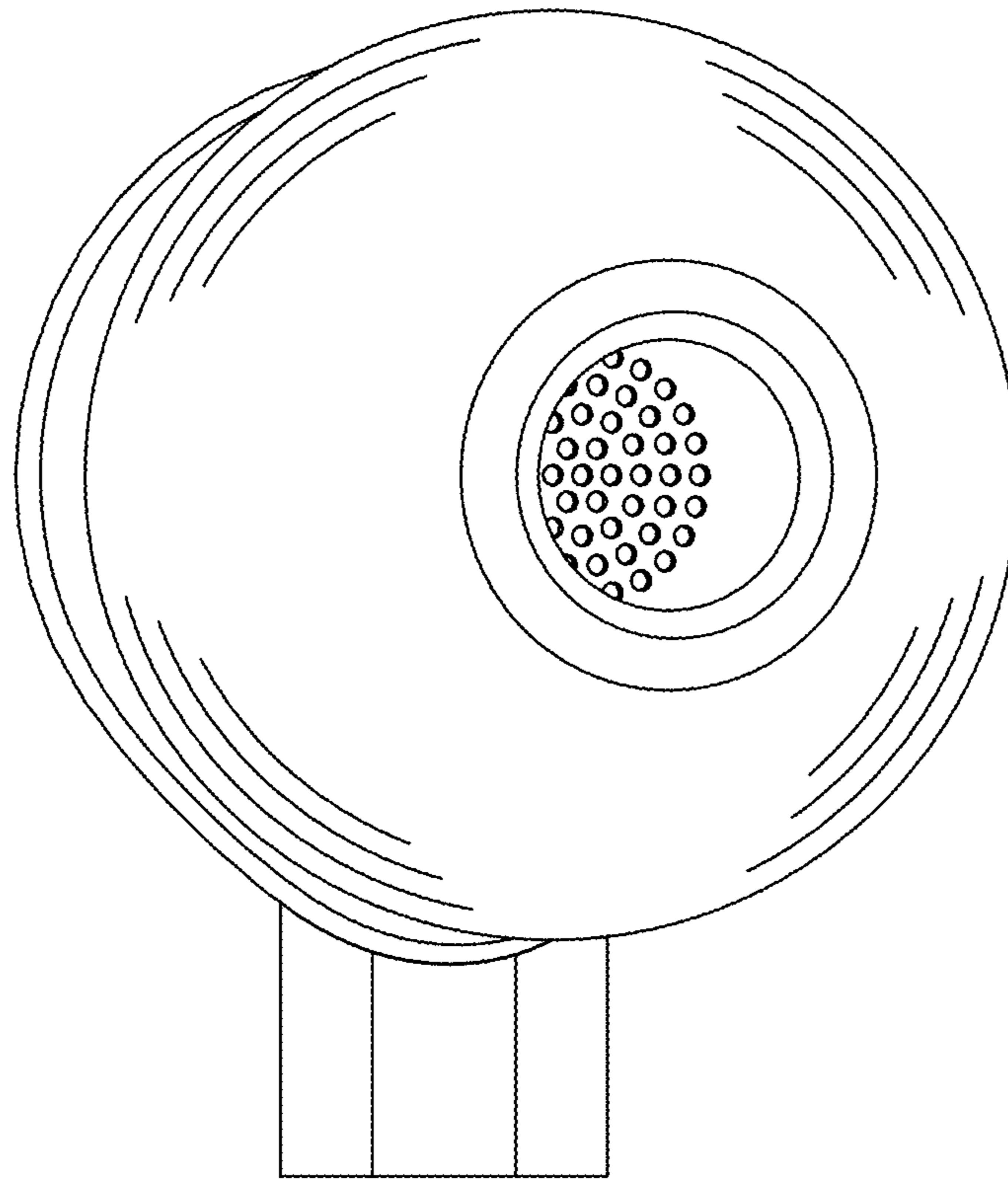


Fig. 2

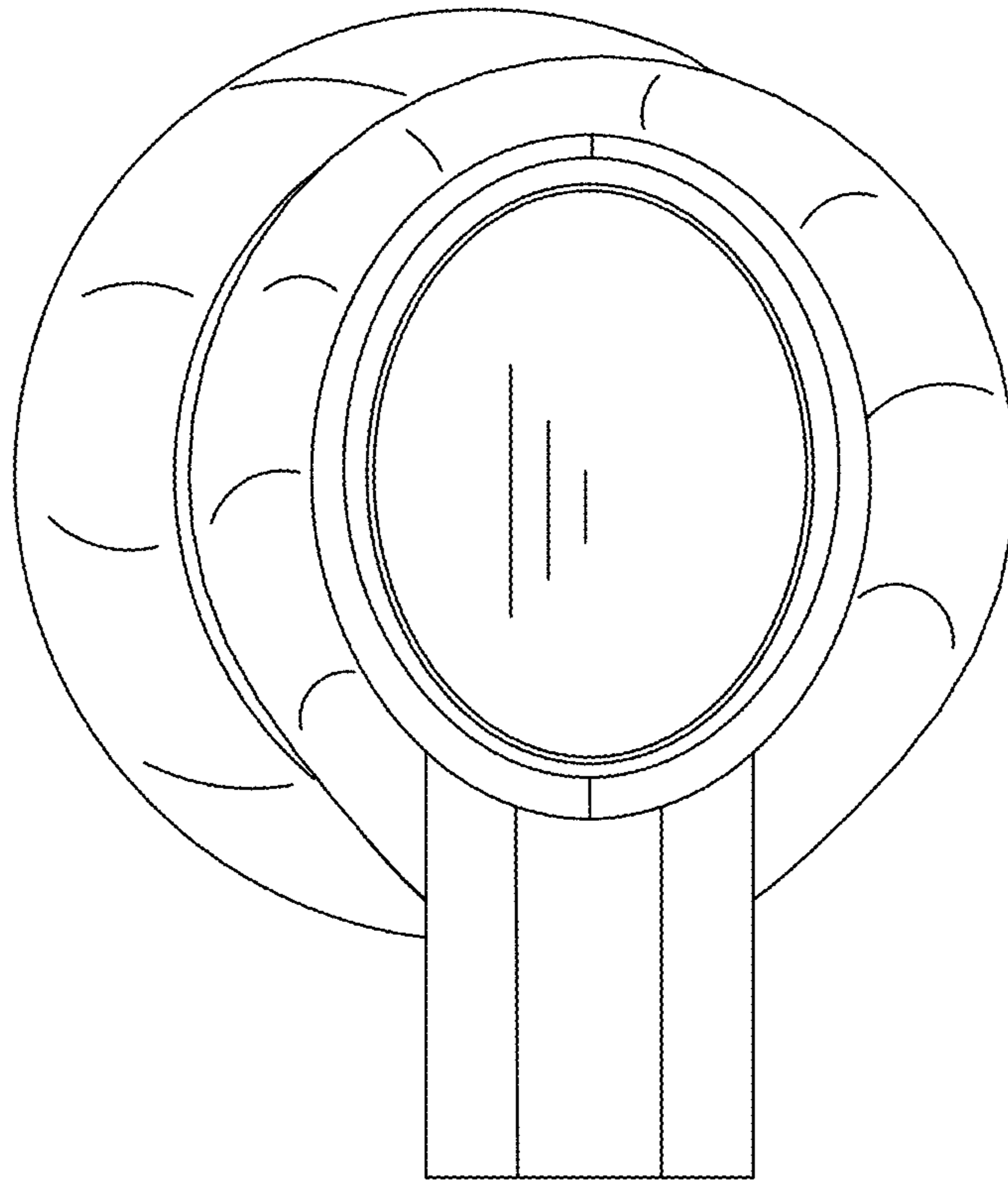


Fig. 3

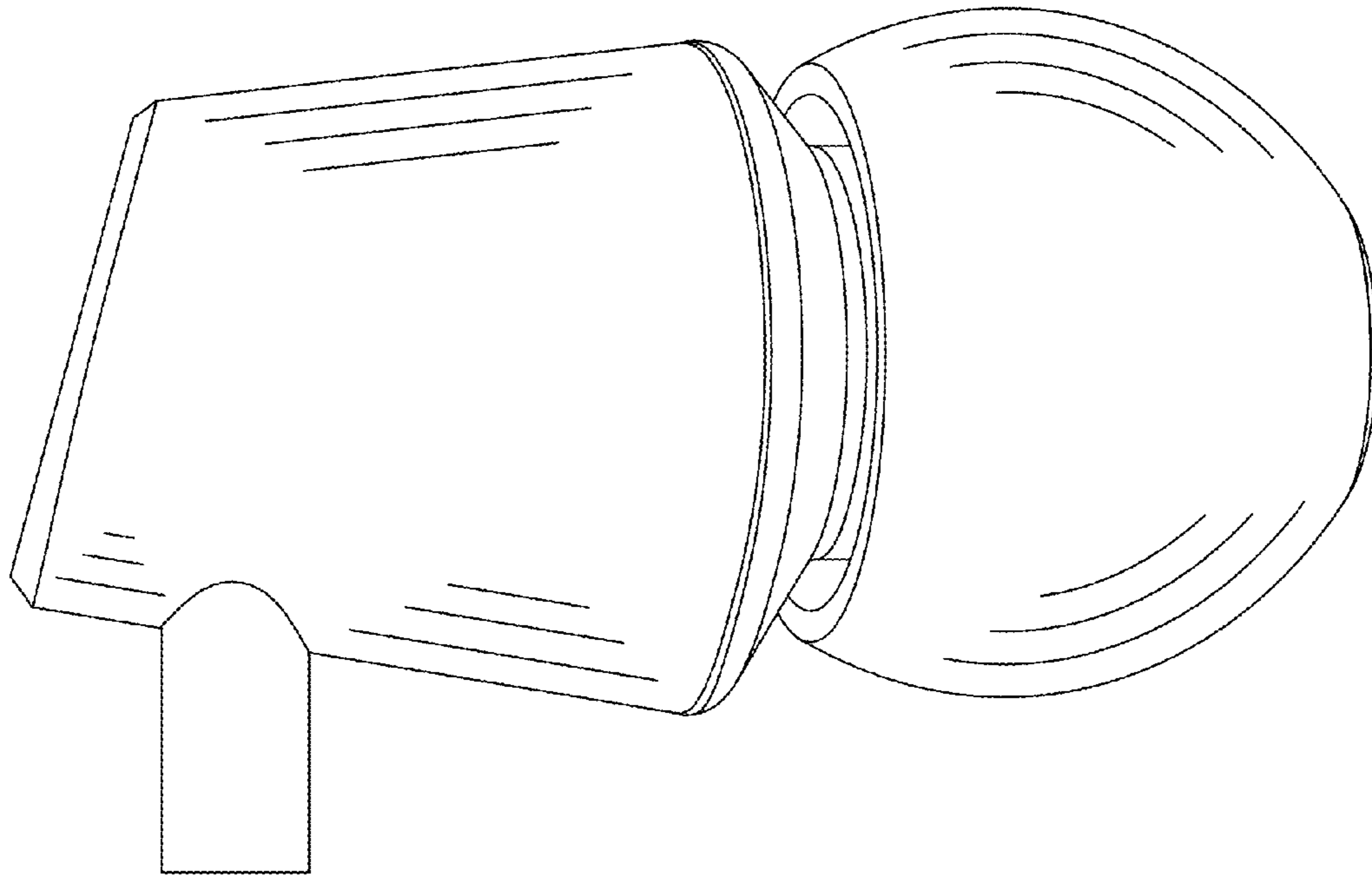


Fig. 4

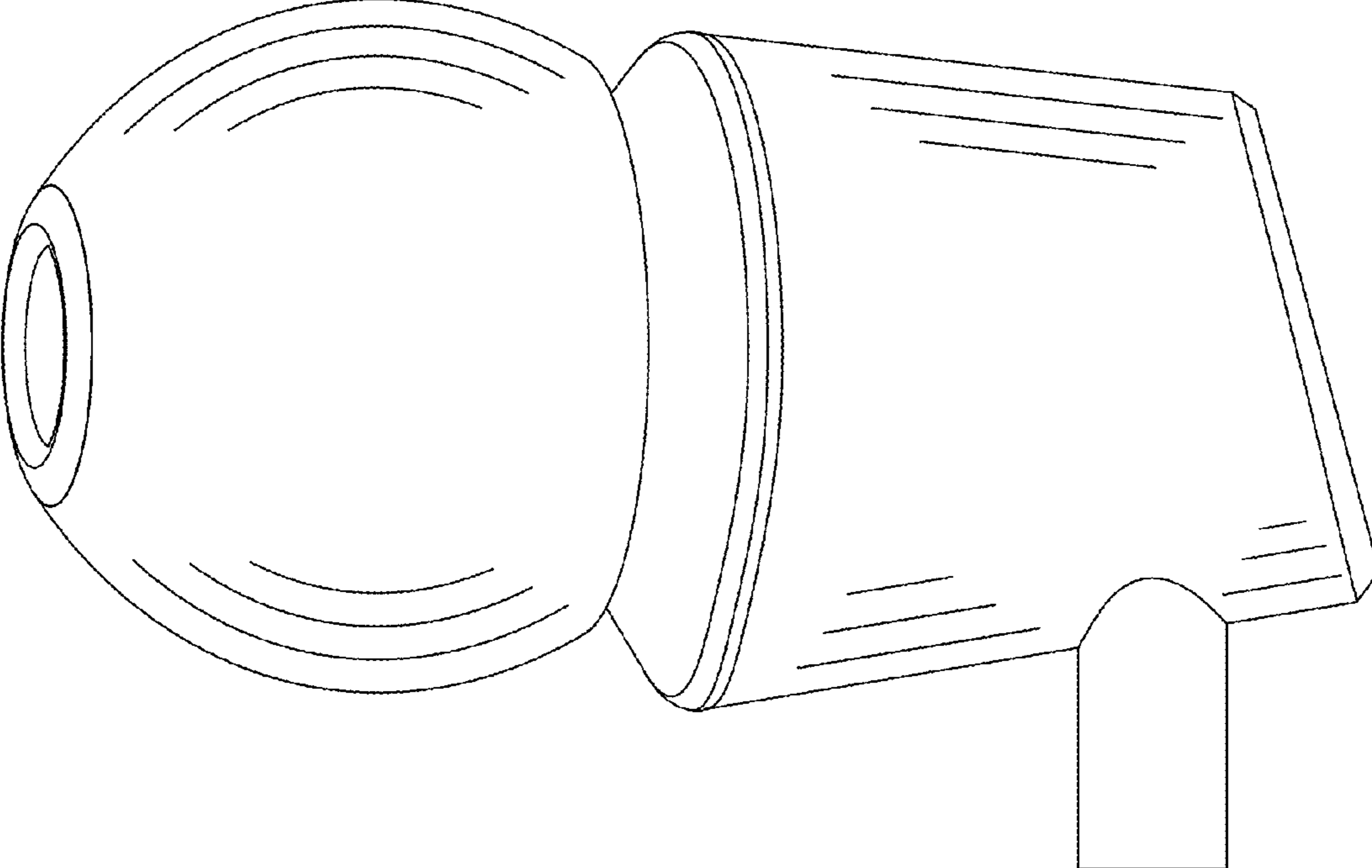


Fig. 5

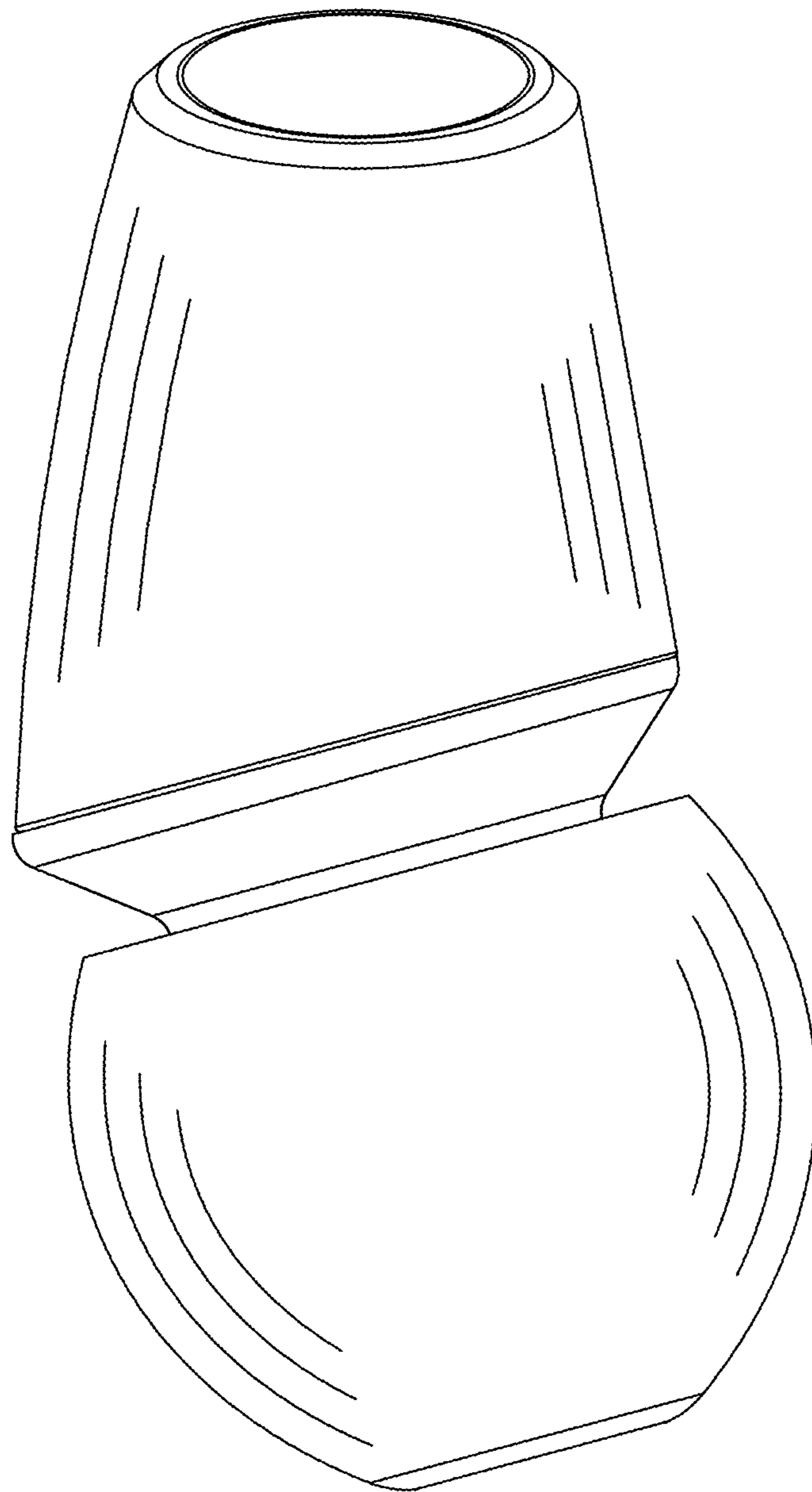


Fig. 6

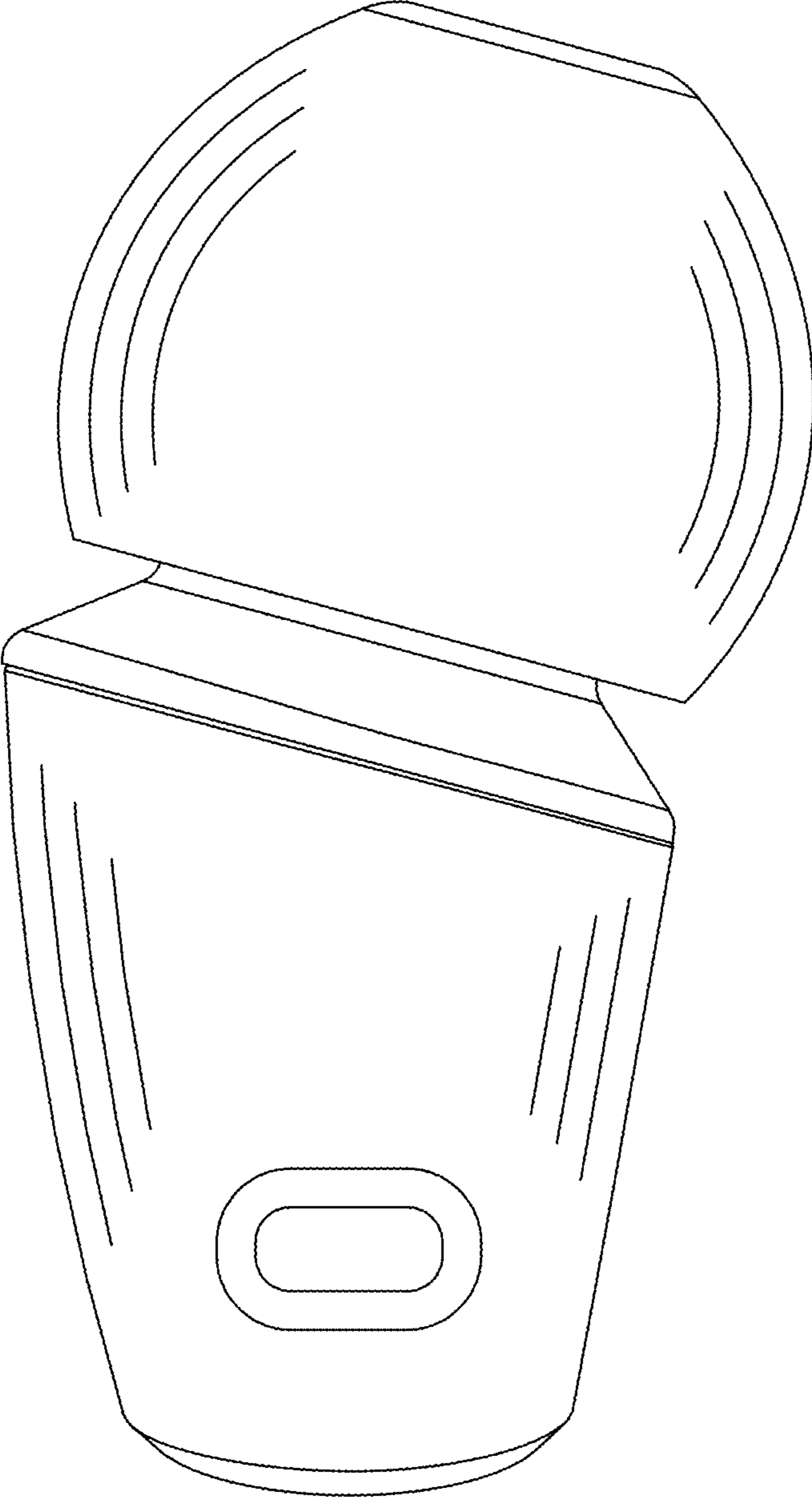


Fig. 7