



US00D698760S

(12) **United States Design Patent**
Lee et al.

(10) **Patent No.:** **US D698,760 S**
(45) **Date of Patent:** **** Feb. 4, 2014**

- (54) **PAIR OF HEADPHONES**
- (75) Inventors: **Noel Lee**, Las Vegas, NV (US);
Kendrew Lee, Tsing Yi (HK); **Minki Bang**, Daly City, CA (US)
- (73) Assignee: **Monster, LLC**, Las Vegas, NV (US)
- (**) Term: **14 Years**
- (21) Appl. No.: **29/431,627**
- (22) Filed: **Sep. 10, 2012**
- (51) **LOC (10) Cl.** **14-01**
- (52) **U.S. Cl.**
USPC **D14/223**
- (58) **Field of Classification Search**
USPC D14/205, 206, 223; 181/129, 130, 135;
379/430, 431, 420.04, 420.03, 428.01;
455/90.3, 575.1
See application file for complete search history.

D643,833	S	*	8/2011	Lee et al.	D14/223
D652,817	S	*	1/2012	Lee et al.	D14/205
8,249,286	B2	*	8/2012	Nault	381/380
D676,026	S	*	2/2013	Lee et al.	D14/223
D683,332	S	*	5/2013	Lee et al.	D14/223
D686,597	S	*	7/2013	Lee et al.	D14/223

OTHER PUBLICATIONS

U.S. Appl. No. 29/406,084, filed Nov. 9, 2011; Lee, Noel.
U.S. Appl. No. 29/410,520, filed Jan. 9, 2012; Lee, Noel.

* cited by examiner

Primary Examiner — Paula Greene

(74) *Attorney, Agent, or Firm* — Sentinel IP; John Nielsen

(57) **CLAIM**

The ornamental design for a pair of headphones, as shown and described.

DESCRIPTION

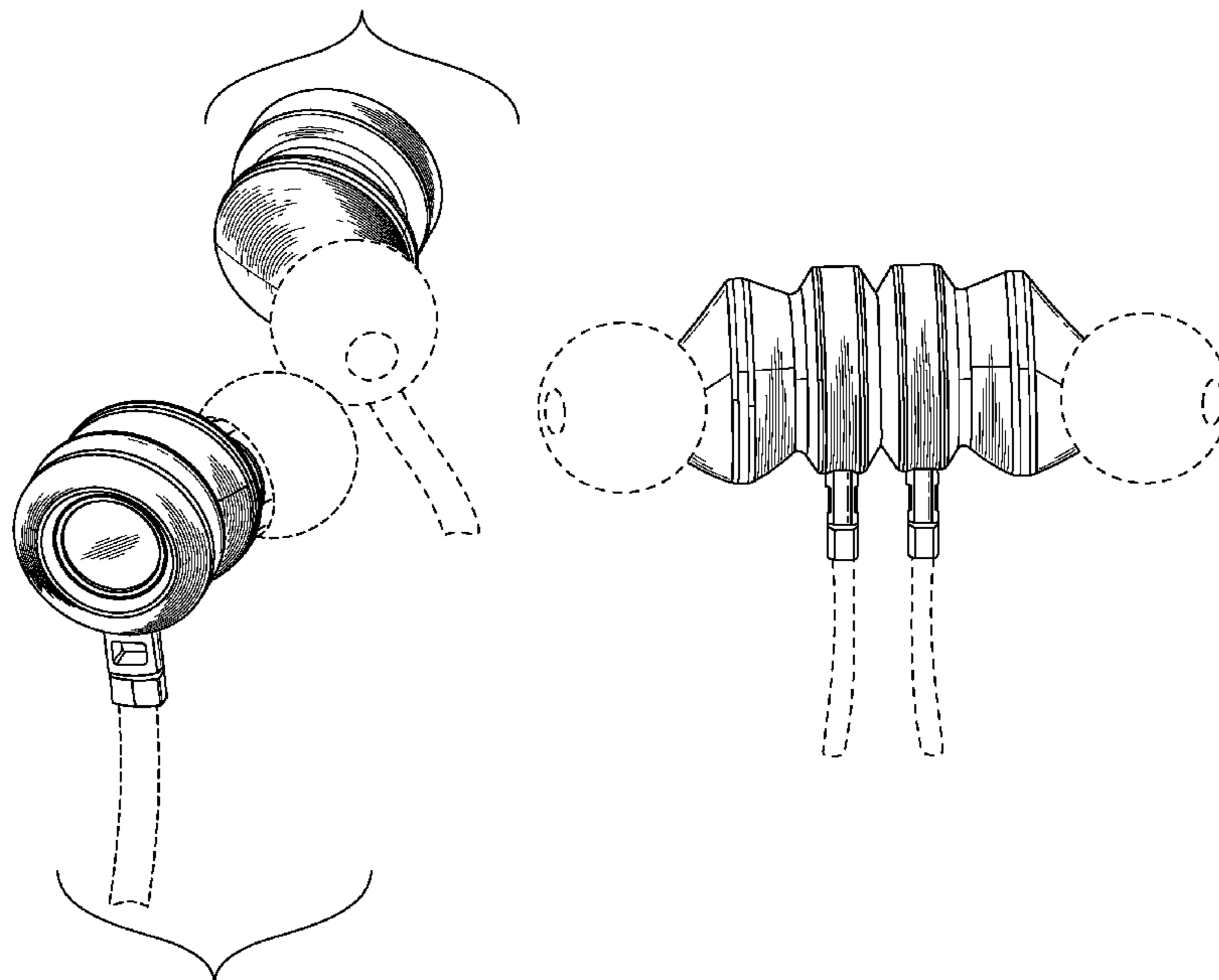
FIG. 1 is a perspective view of a pair of headphones, showing our new design;
FIG. 2 is an opposing perspective view thereof;
FIG. 3 is a front view thereof;
FIG. 4 is a rear view thereof;
FIG. 5 is a side view thereof;
FIG. 6 is an opposing side view thereof;
FIG. 7 is a top view thereof;
FIG. 8 is a bottom view thereof; and,
FIG. 9 is a front view thereof, in a nesting condition.
The broken lines showing the environment in the Figures are for illustrative purposes only and form no part of the claimed design.

1 Claim, 5 Drawing Sheets

(56) **References Cited**

U.S. PATENT DOCUMENTS

D430,146	S	*	8/2000	Lin	D14/223
D469,411	S	*	1/2003	Decosse	D13/174
D524,295	S	*	7/2006	Jacobson et al.	D14/218
D531,169	S	*	10/2006	Tokioka et al.	D14/223
D554,627	S	*	11/2007	Gondo	D14/223
D598,901	S	*	8/2009	Lee et al.	D14/223
D599,781	S	*	9/2009	Lee et al.	D14/205
D599,785	S	*	9/2009	Matsuda et al.	D14/223
D602,004	S	*	10/2009	Matsuoka	D14/223
D621,389	S	*	8/2010	Nagayama et al.	D14/223
D626,117	S	*	10/2010	Lowry	D14/223
D637,182	S	*	5/2011	Lee	
D637,999	S	*	5/2011	Brunner et al.	D14/205
D642,163	S	*	7/2011	Lee et al.	D14/223



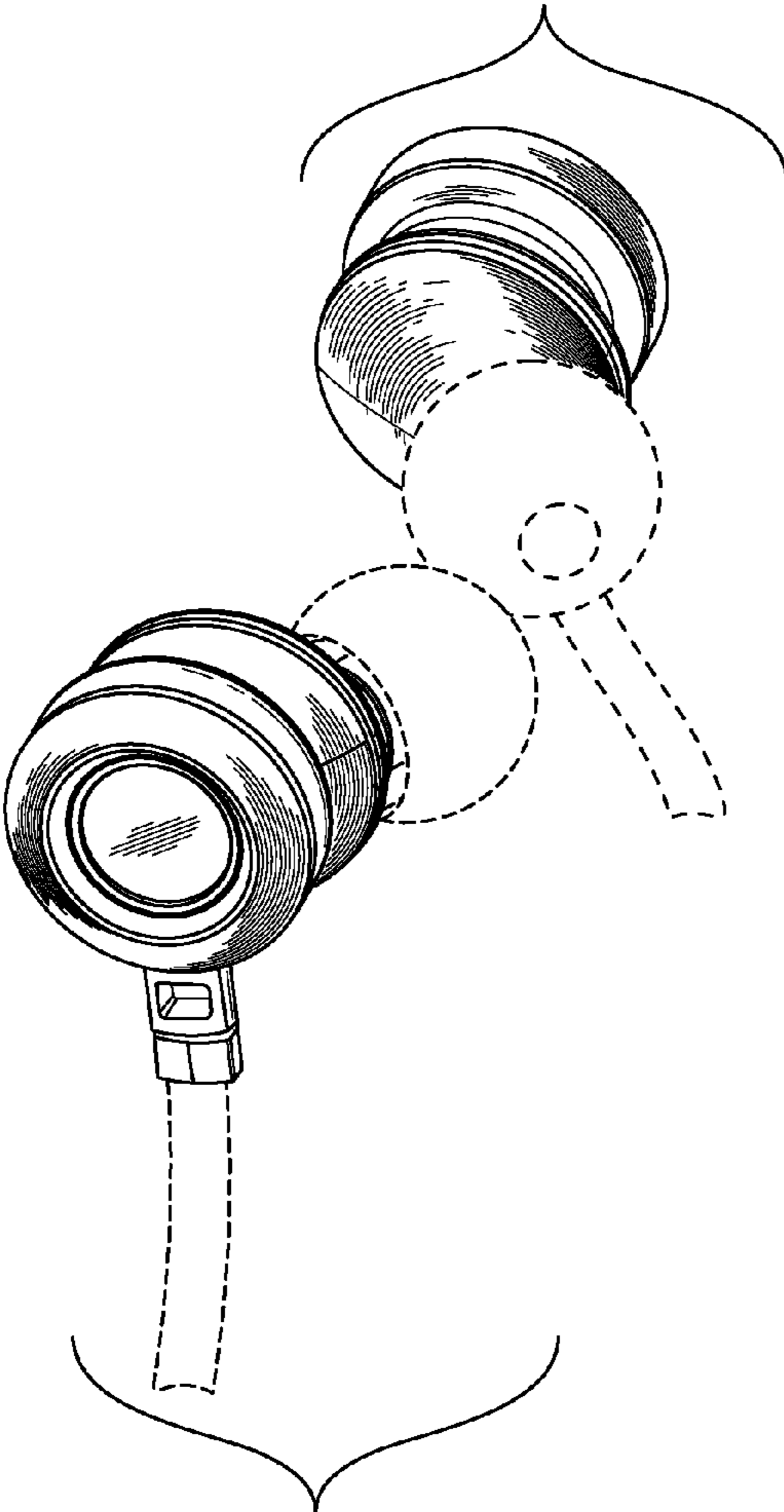


FIG. 1

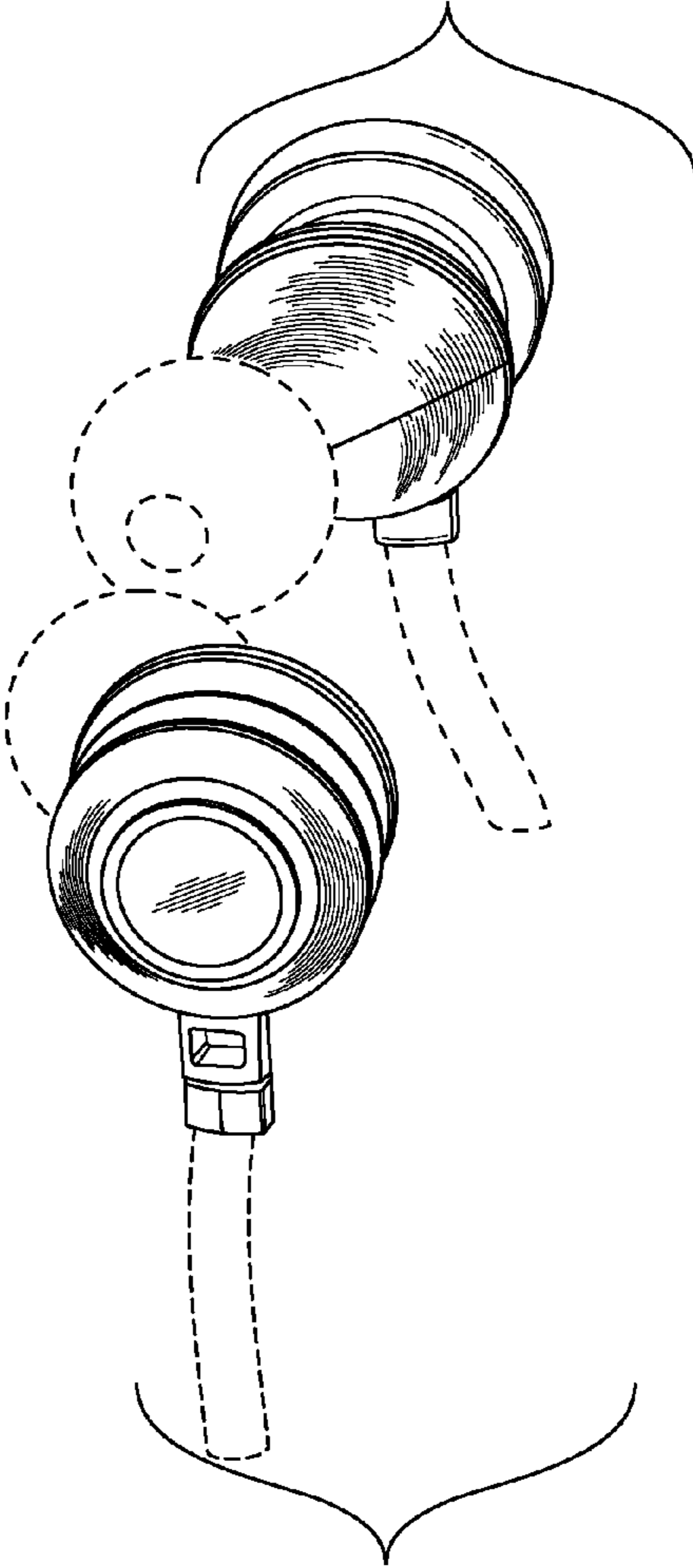


FIG. 2

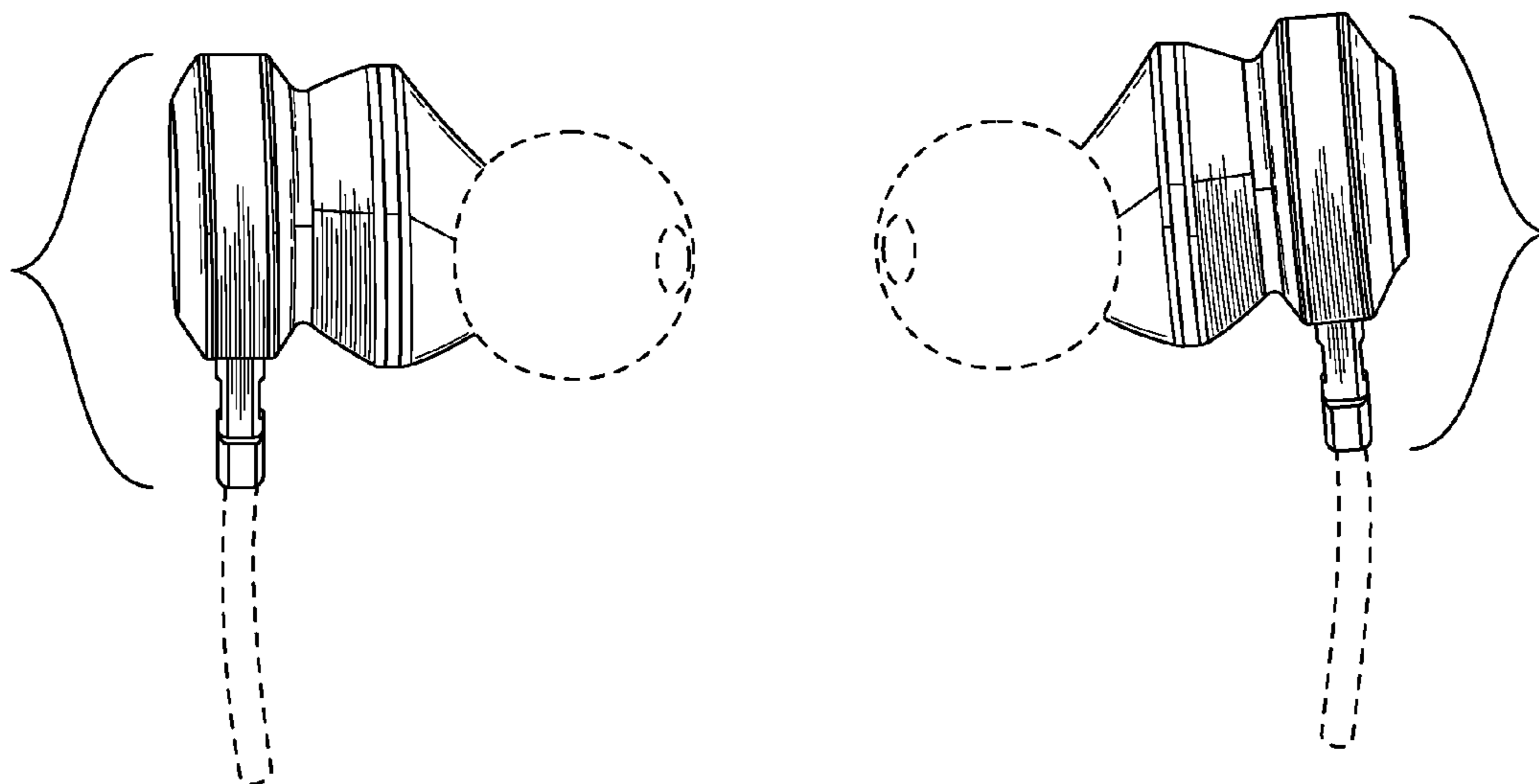


FIG. 3

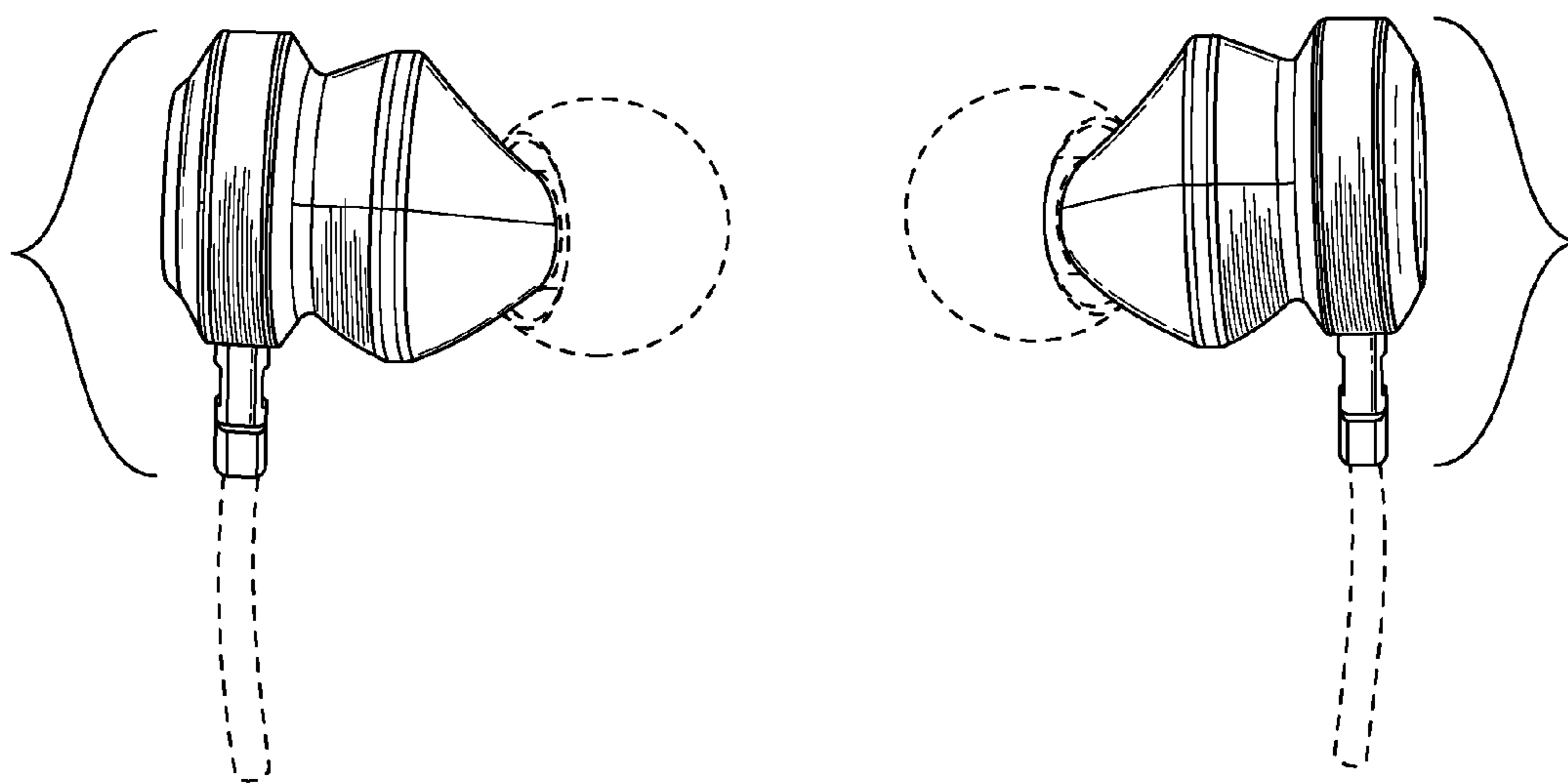


FIG. 4

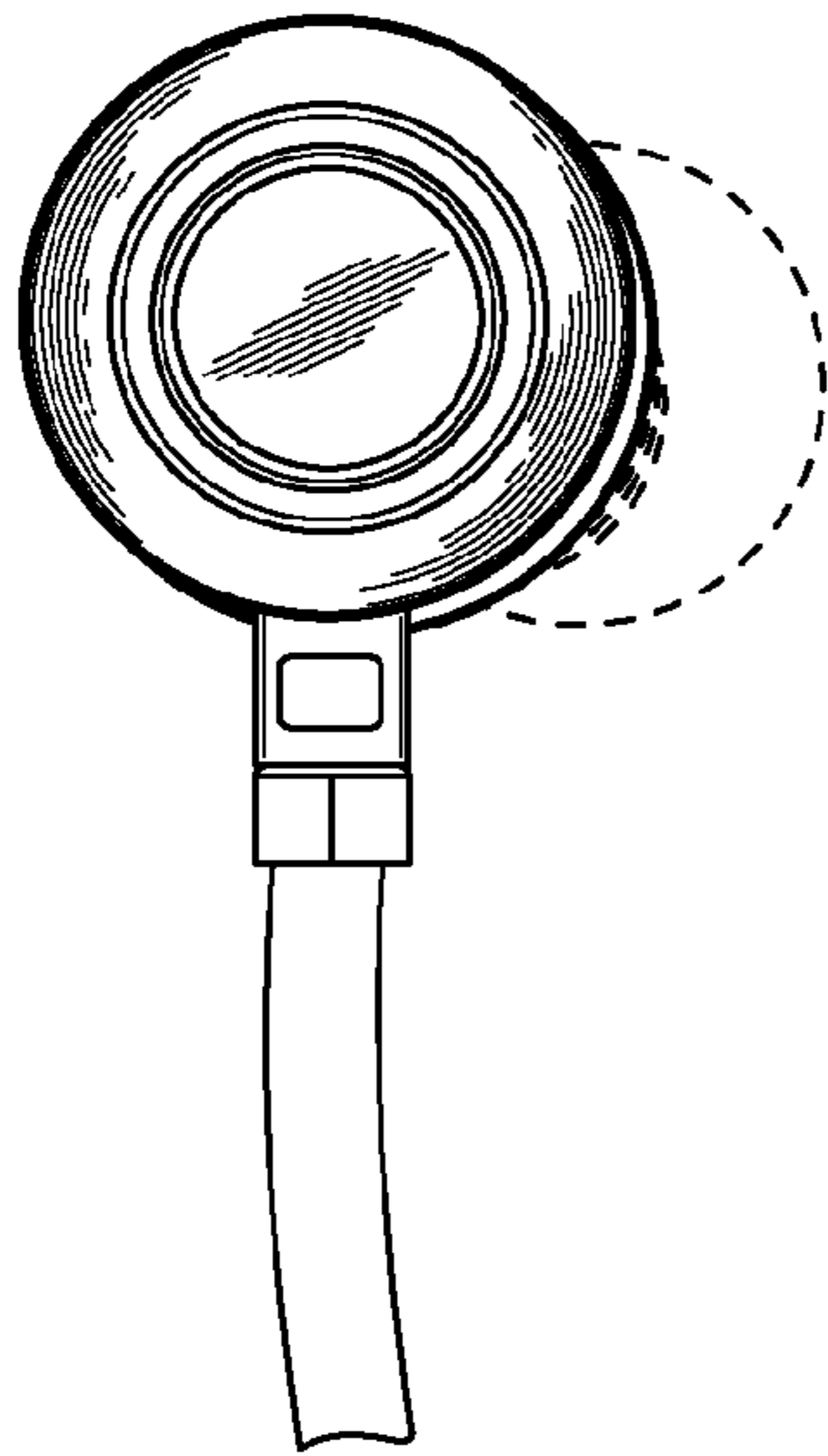


FIG. 5

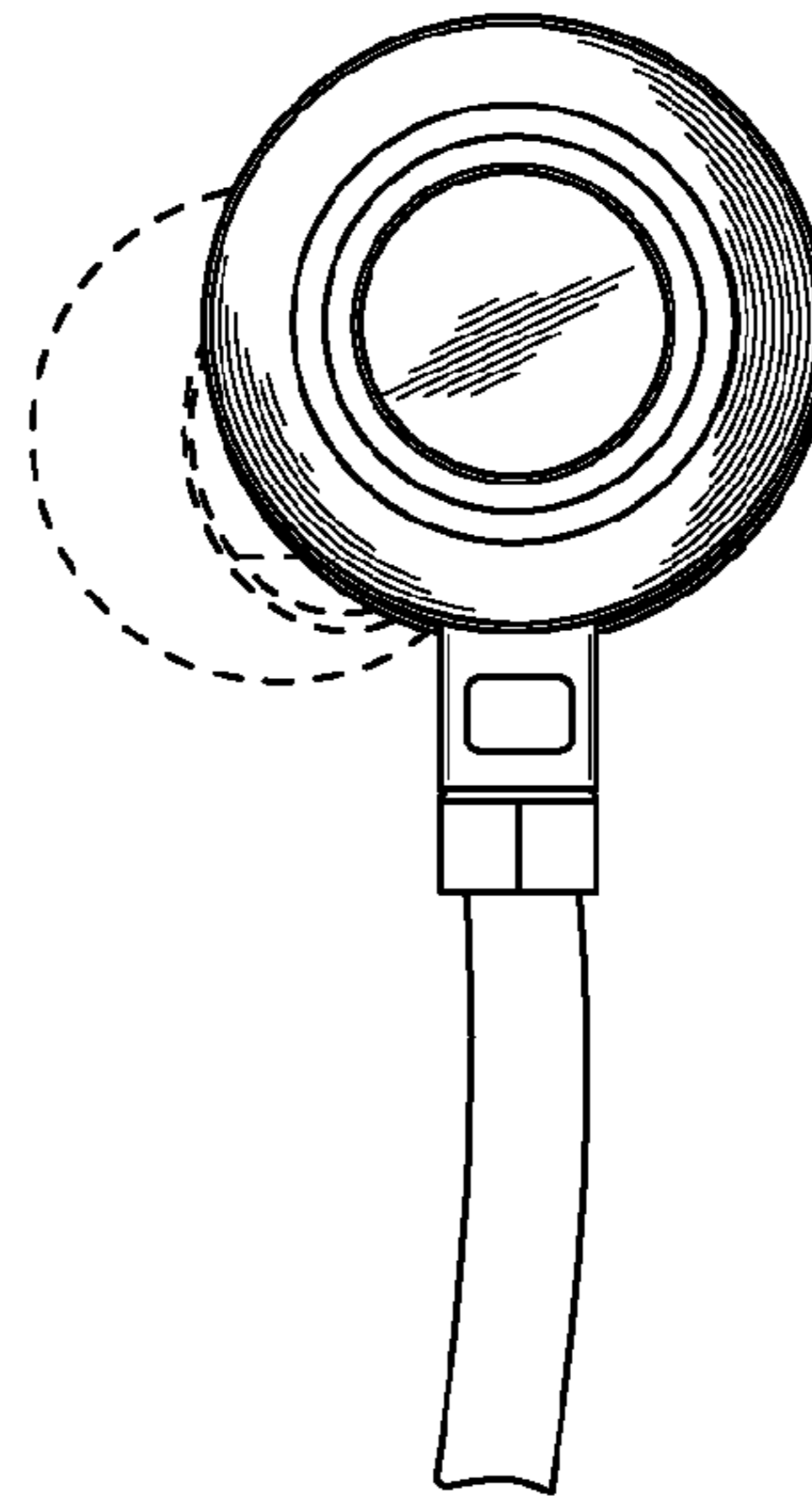


FIG. 6

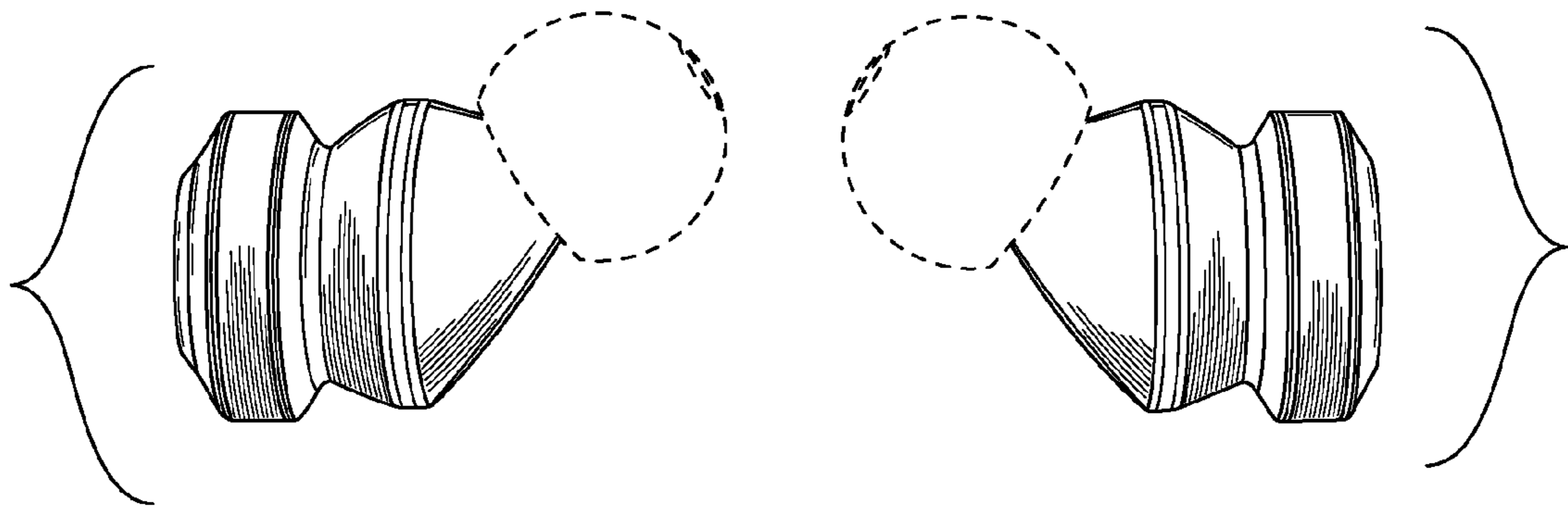


FIG. 7

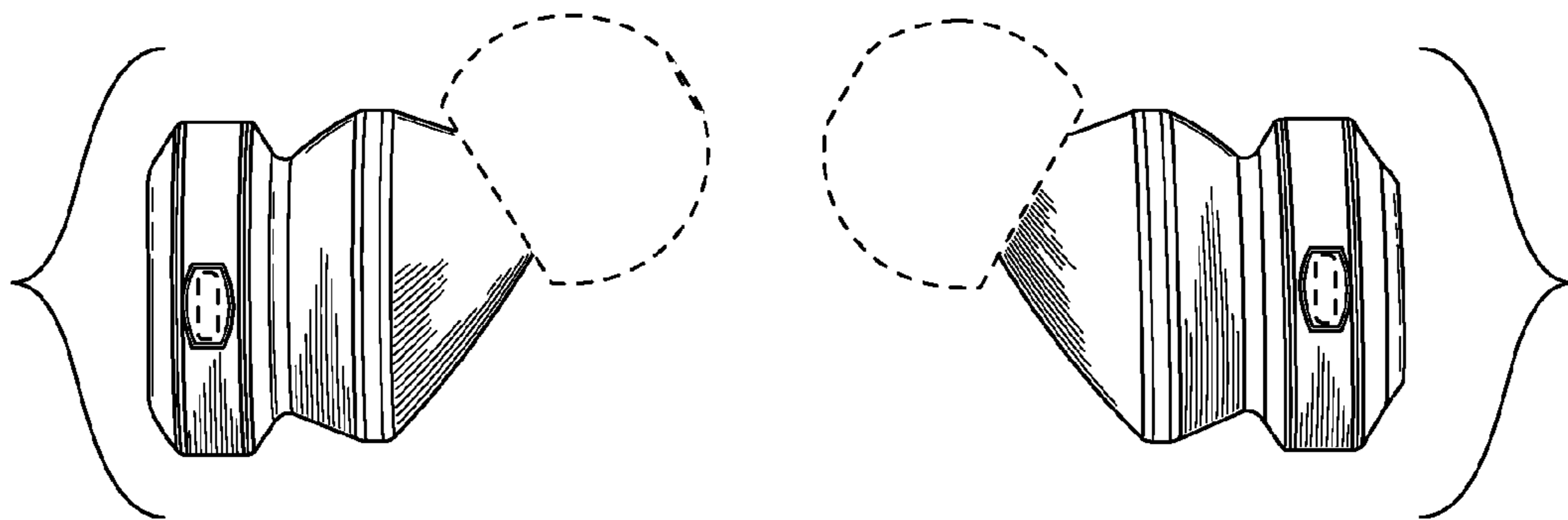


FIG. 8

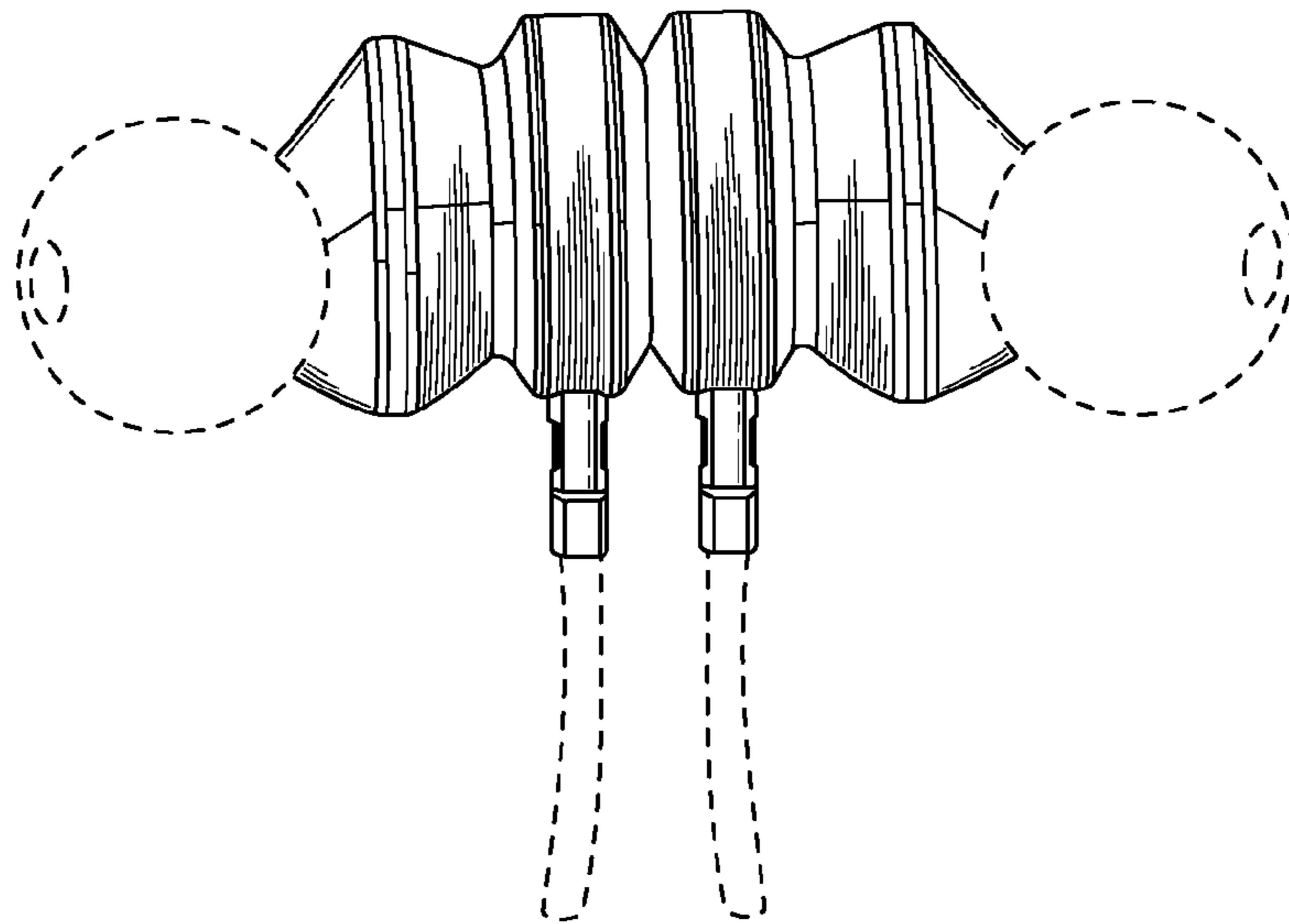


FIG. 9