



US00D698759S

(12) **United States Design Patent**
Behar et al.

(10) **Patent No.:** **US D698,759 S**
(45) **Date of Patent:** **** Feb. 4, 2014**

- (54) **SPEAKER GRILL**
- (71) Applicant: **ALIPHCOM**, San Francisco, CA (US)
- (72) Inventors: **Yves Albert Behar**, San Francisco, CA (US); **Gabriel J. Lamb**, San Francisco, CA (US); **William Hardy Chambliss**, San Francisco, CA (US)
- (73) Assignee: **ALIPHCOM**, San Francisco, CA (US)
- (**) Term: **14 Years**
- (21) Appl. No.: **29/445,287**
- (22) Filed: **Feb. 8, 2013**

D589,939 S *	4/2009	Hsu	D14/214
D645,024 S *	9/2011	Behar et al.	D14/214
D652,019 S *	1/2012	Behar et al.	D14/214
D652,020 S *	1/2012	Behar et al.	D14/214
D670,271 S *	11/2012	Tzeng	D14/216
D678,244 S *	3/2013	Behar et al.	D14/214
D678,864 S *	3/2013	Behar et al.	D14/214
D678,865 S *	3/2013	Behar et al.	D14/214

* cited by examiner

Primary Examiner — Keli L Hill

(74) *Attorney, Agent, or Firm* — Kilpatrick Townsend & Stockton LLP

Related U.S. Application Data

- (63) Continuation of application No. 29/413,573, filed on Feb. 16, 2012, now Pat. No. Des. 678,244.
- (51) **LOC (10) Cl.** **14-03**
- (52) **U.S. Cl.**
USPC **D14/219**; D14/214
- (58) **Field of Classification Search**
USPC D14/172, 194, 196, 204, 207, 210–216;
181/143, 144, 147, 148, 150, 153, 157,
181/198, 199; 381/300–303, 306, 332, 333,
381/336, 345, 361–364, 386–388
See application file for complete search history.

References Cited

U.S. PATENT DOCUMENTS

D489,707 S *	5/2004	Kobayashi	D14/214
D568,289 S *	5/2008	Solland	D14/204

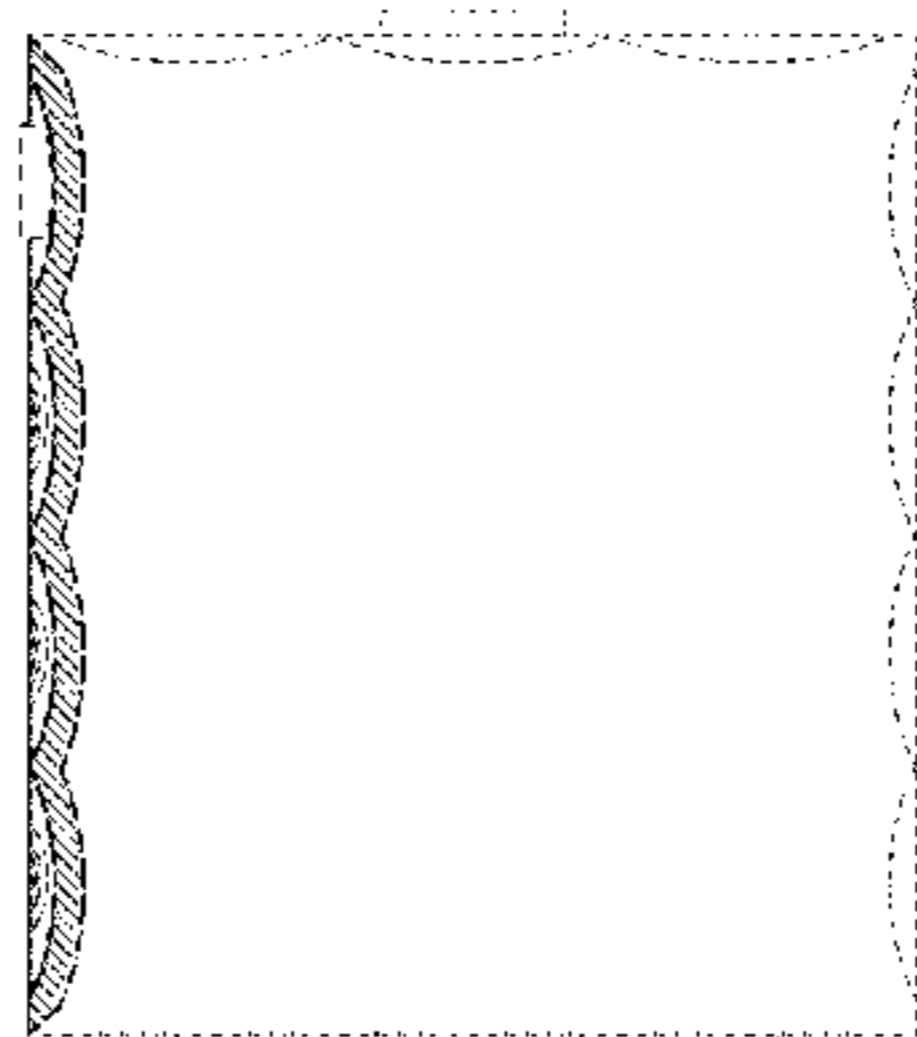
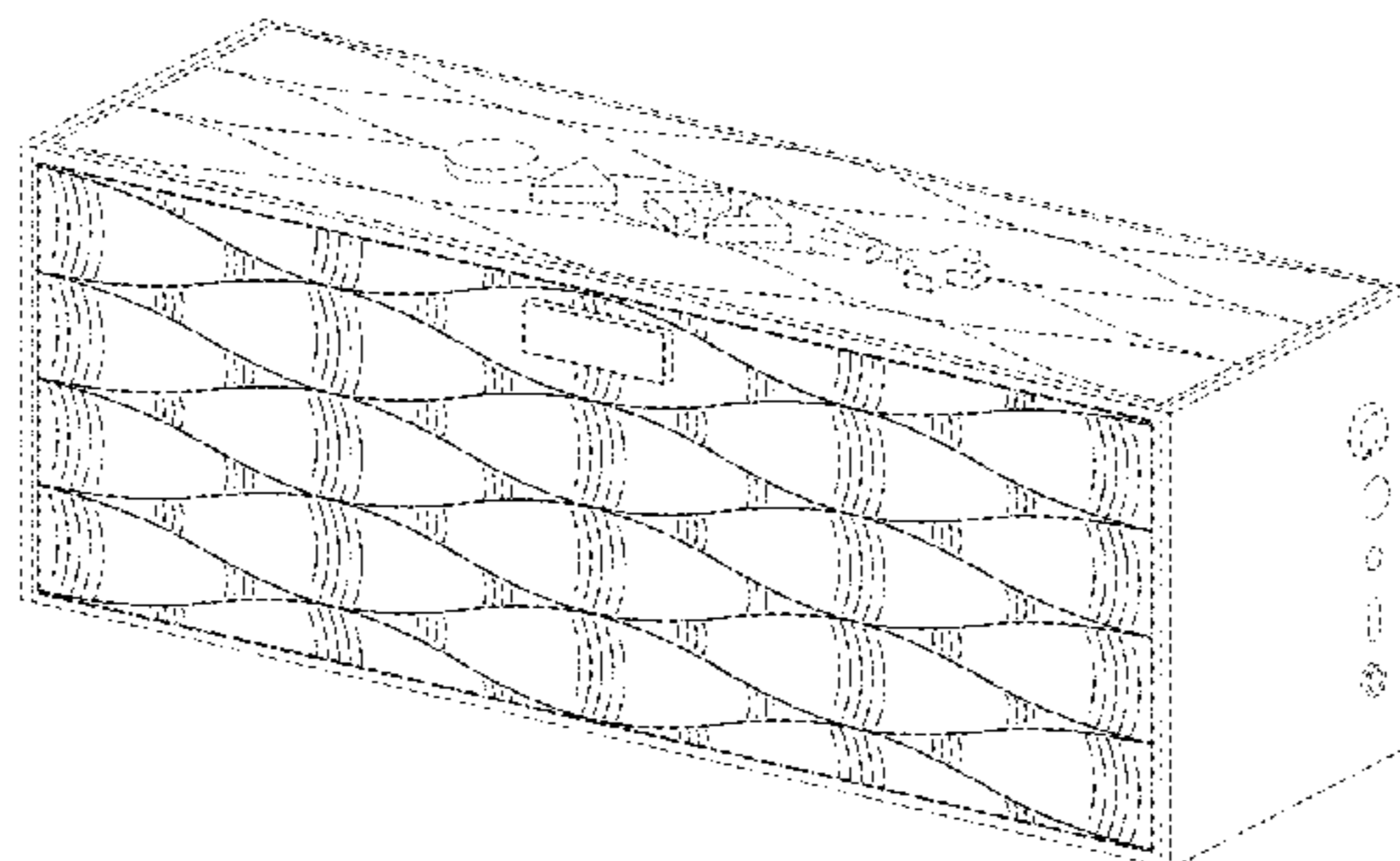
(57) **CLAIM**

The ornamental design for a speaker grill, as shown and described.

DESCRIPTION

FIG. 1 is a perspective view of a speaker grill showing our new design;
 FIG. 2 is a front elevational view thereof;
 FIG. 3 is a duplicate of FIG. 2 showing section views 4-4 and 5-5;
 FIG. 4 corresponds with section 4-4 of FIG. 3; and,
 FIG. 5 corresponds with section 5-5 of FIG. 3.
 The broken lines immediately adjacent the shaded areas represent the bounds of the claimed design while all other broken lines are included for the purpose of illustrating disclaimed portions of the speaker grill; all of the broken lines form no part of the claimed design.

1 Claim, 3 Drawing Sheets



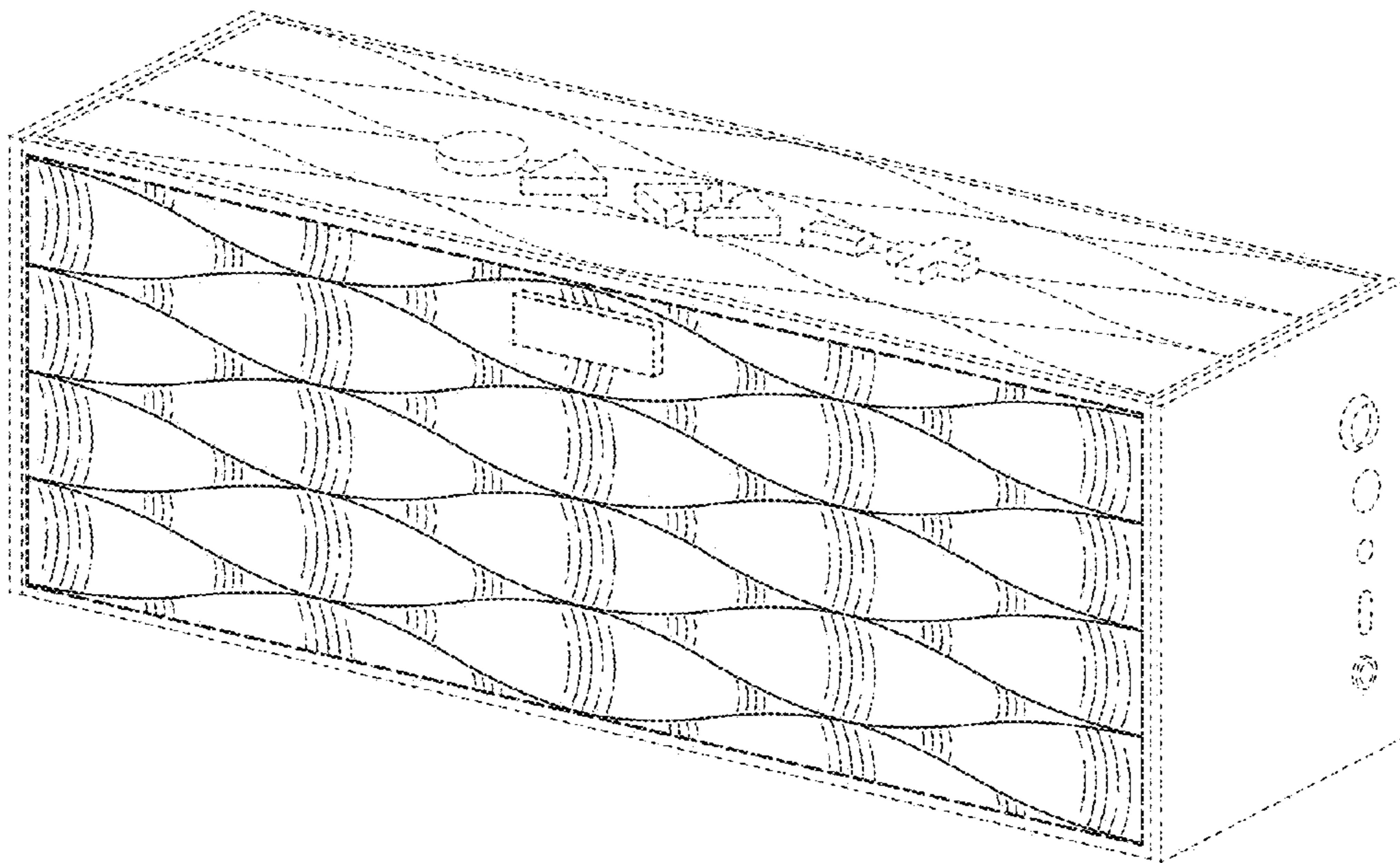


FIG. 1

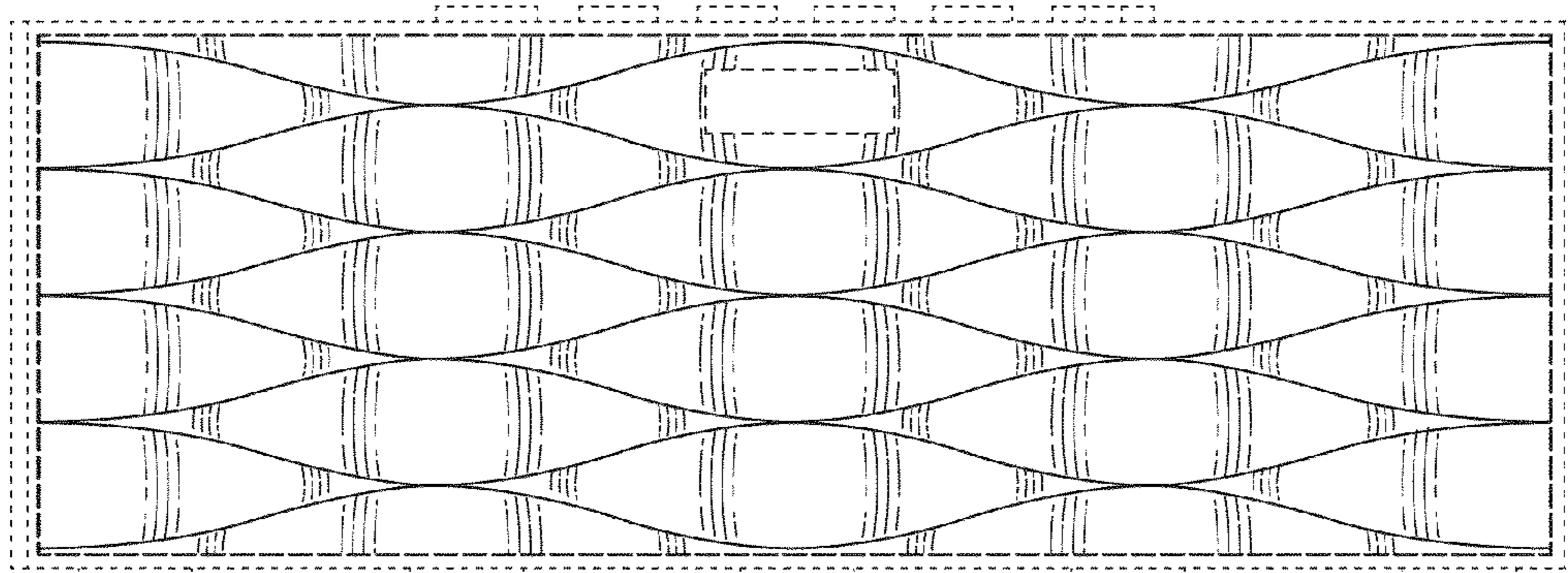


FIG. 2

