

US00D698752S

(12) **United States Design Patent**
Wang

(10) **Patent No.:** **US D698,752 S**

(45) **Date of Patent:** **** Feb. 4, 2014**

(54) **SPEAKER**

(71) Applicant: **AmTRAN Technology Co., Ltd**, New Taipei (TW)

(72) Inventor: **Kuan-Hua Wang**, New Taipei (TW)

(73) Assignee: **AmTRAN Technology Co., Ltd.**, New Taipei (TW)

(**) Term: **14 Years**

(21) Appl. No.: **29/445,251**

(22) Filed: **Feb. 8, 2013**

(30) **Foreign Application Priority Data**

Jan. 4, 2013 (TW) 102300109

(51) **LOC (10) Cl.** **14-03**

(52) **U.S. Cl.**
USPC **D14/214**

(58) **Field of Classification Search**
USPC D14/172, 194, 196, 204, 207, 209.1,
D14/210–217, 219–222, 224; 181/143, 144,
181/147, 148, 150, 153, 157, 198, 199;
381/300–303, 306, 332, 333, 336, 345,
381/361–364, 386–388

See application file for complete search history.

(56) **References Cited**

U.S. PATENT DOCUMENTS

D340,245 S *	10/1993	Christie	D14/214
D377,175 S *	1/1997	Boyd	D14/214
D378,092 S *	2/1997	Boyd	D14/214
D381,335 S *	7/1997	Whitehead	D14/204
D434,750 S *	12/2000	Childers et al.	D14/204
D436,945 S *	1/2001	Tanaka	D14/214
D565,545 S *	4/2008	Kim et al.	D14/214
D609,216 S *	2/2010	Davies et al.	D14/214
D634,301 S *	3/2011	Choi	D14/209.1

* cited by examiner

Primary Examiner — Keli L Hill

(74) *Attorney, Agent, or Firm* — Muncy, Geissler, Olds & Lowe, PLLC

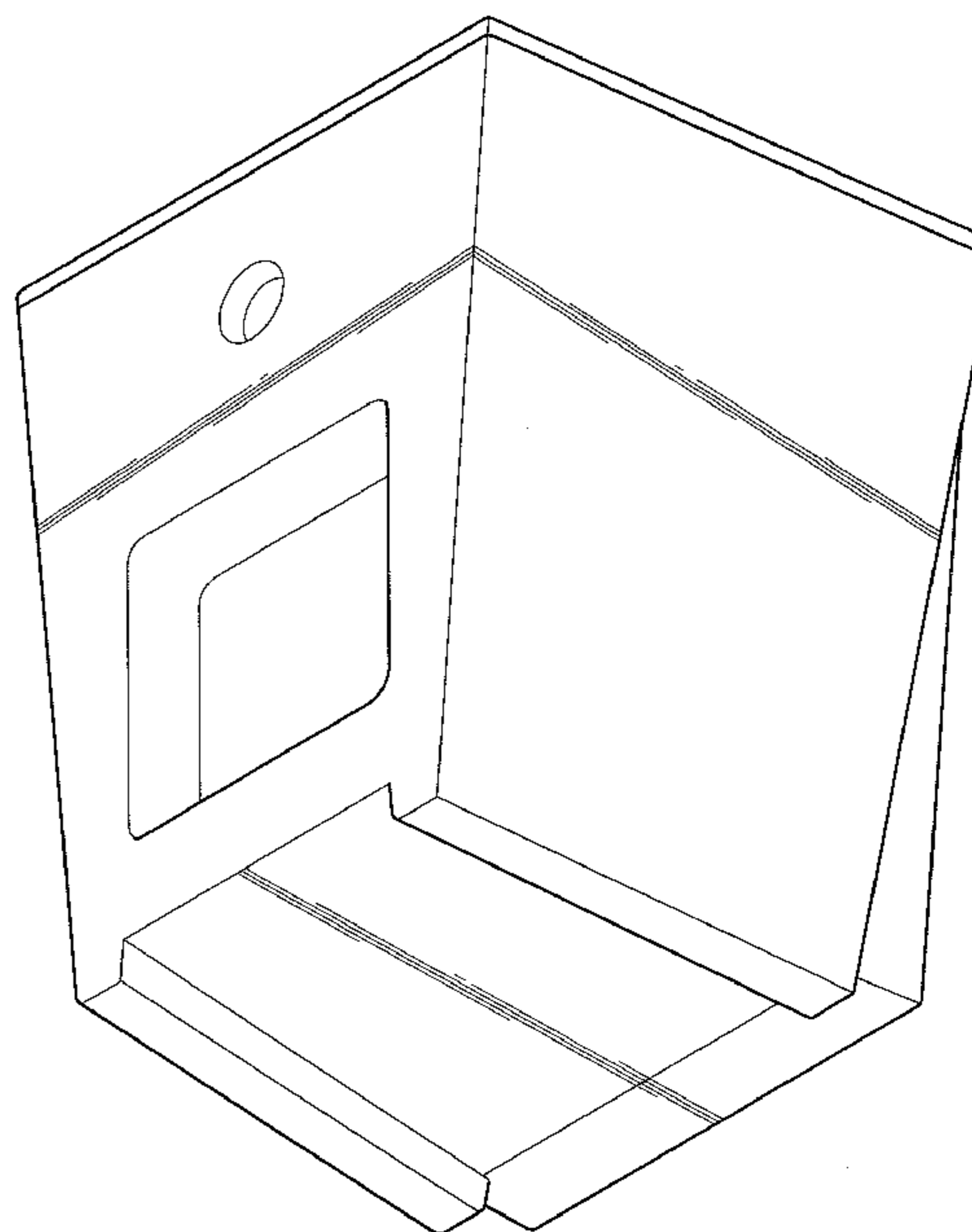
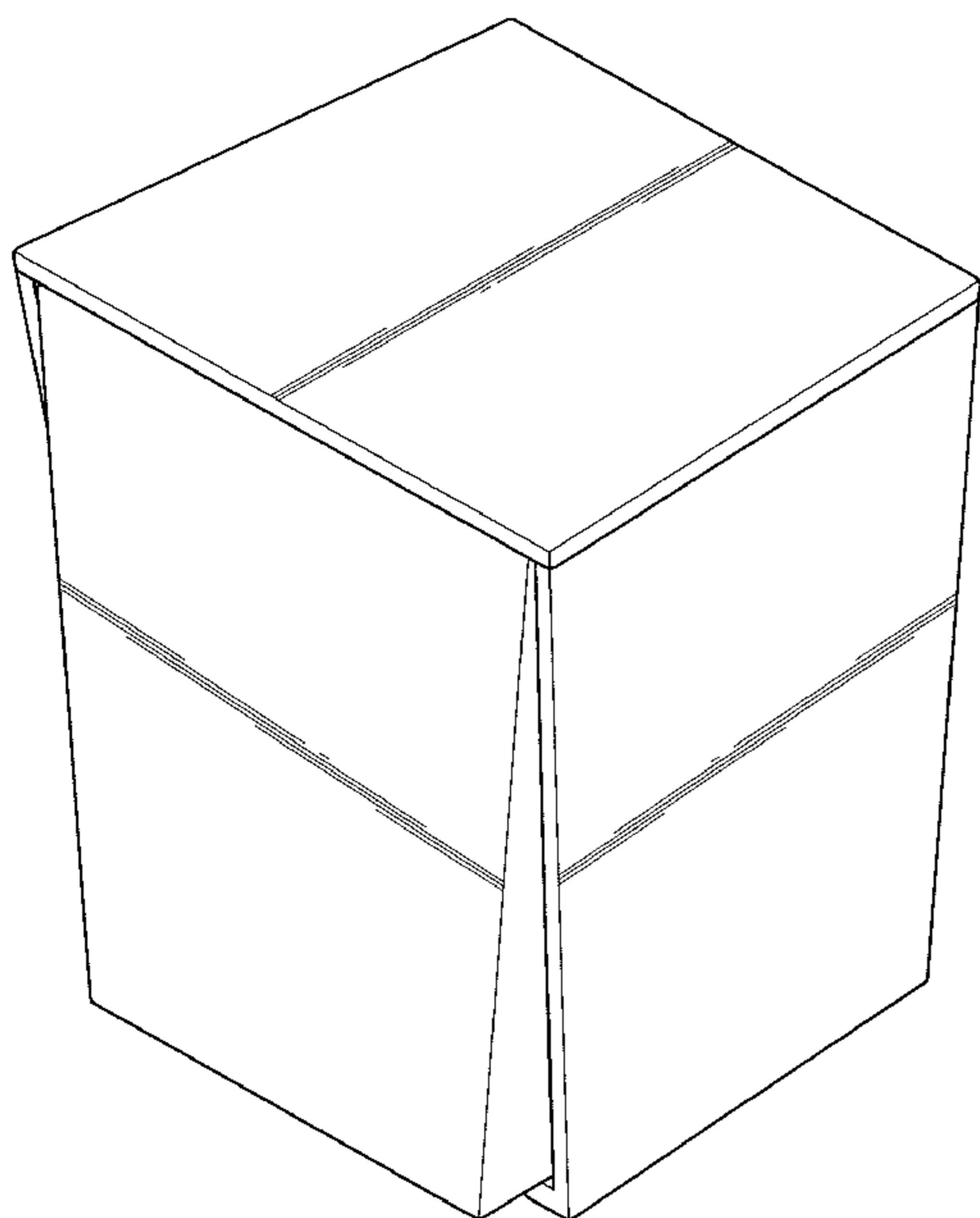
(57) **CLAIM**

The ornamental design for a “speaker,” as shown and described.

DESCRIPTION

FIG. 1 is a perspective view of speaker showing our new design;
FIG. 2 is another perspective view of speaker showing our new design;
FIG. 3 is a front view thereof;
FIG. 4 is a rear view thereof;
FIG. 5 is a left side elevational view thereof;
FIG. 6 is a right side elevational view thereof;
FIG. 7 is a top view thereof; and,
FIG. 8 is a bottom view thereof.

1 Claim, 7 Drawing Sheets



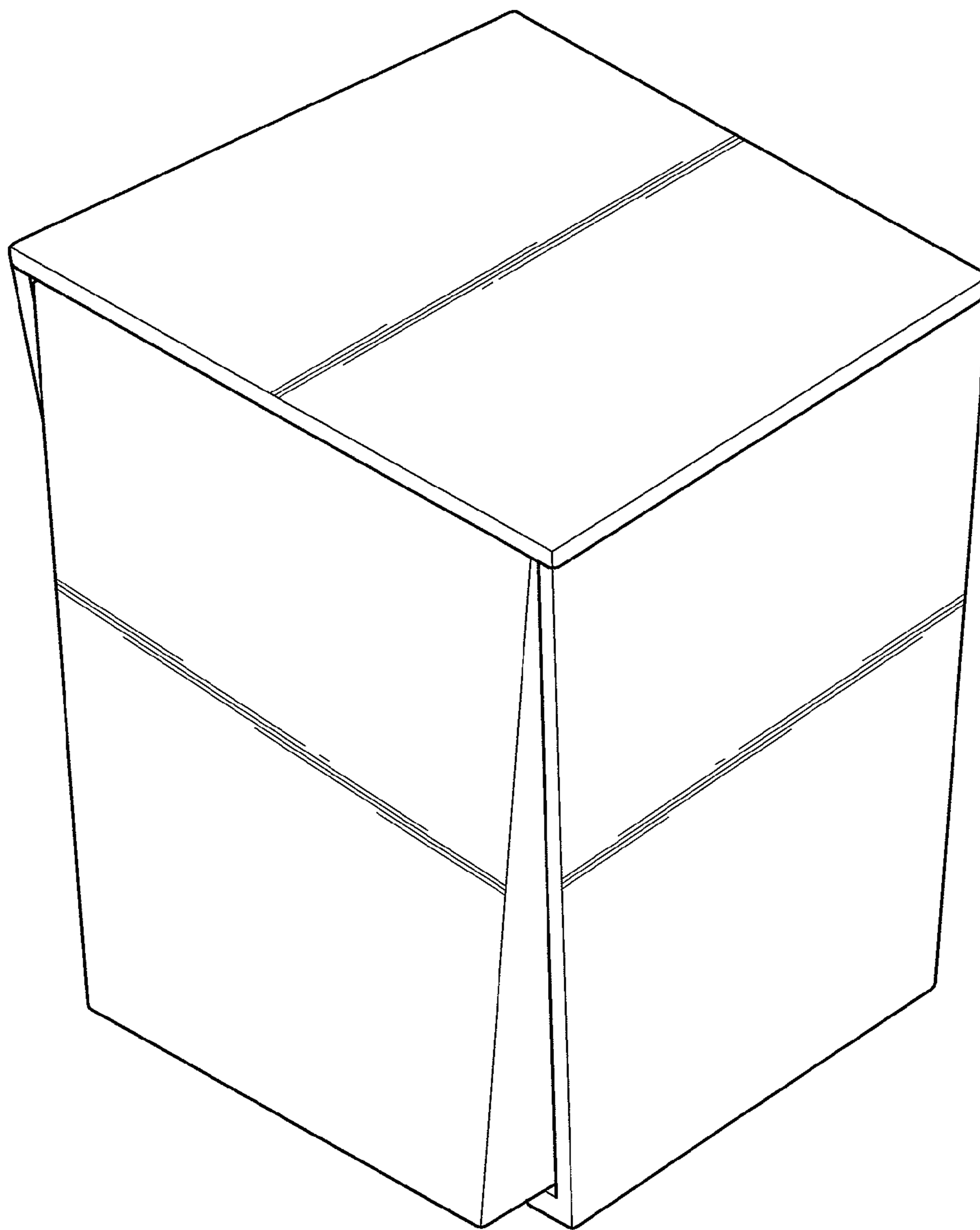


FIG.1

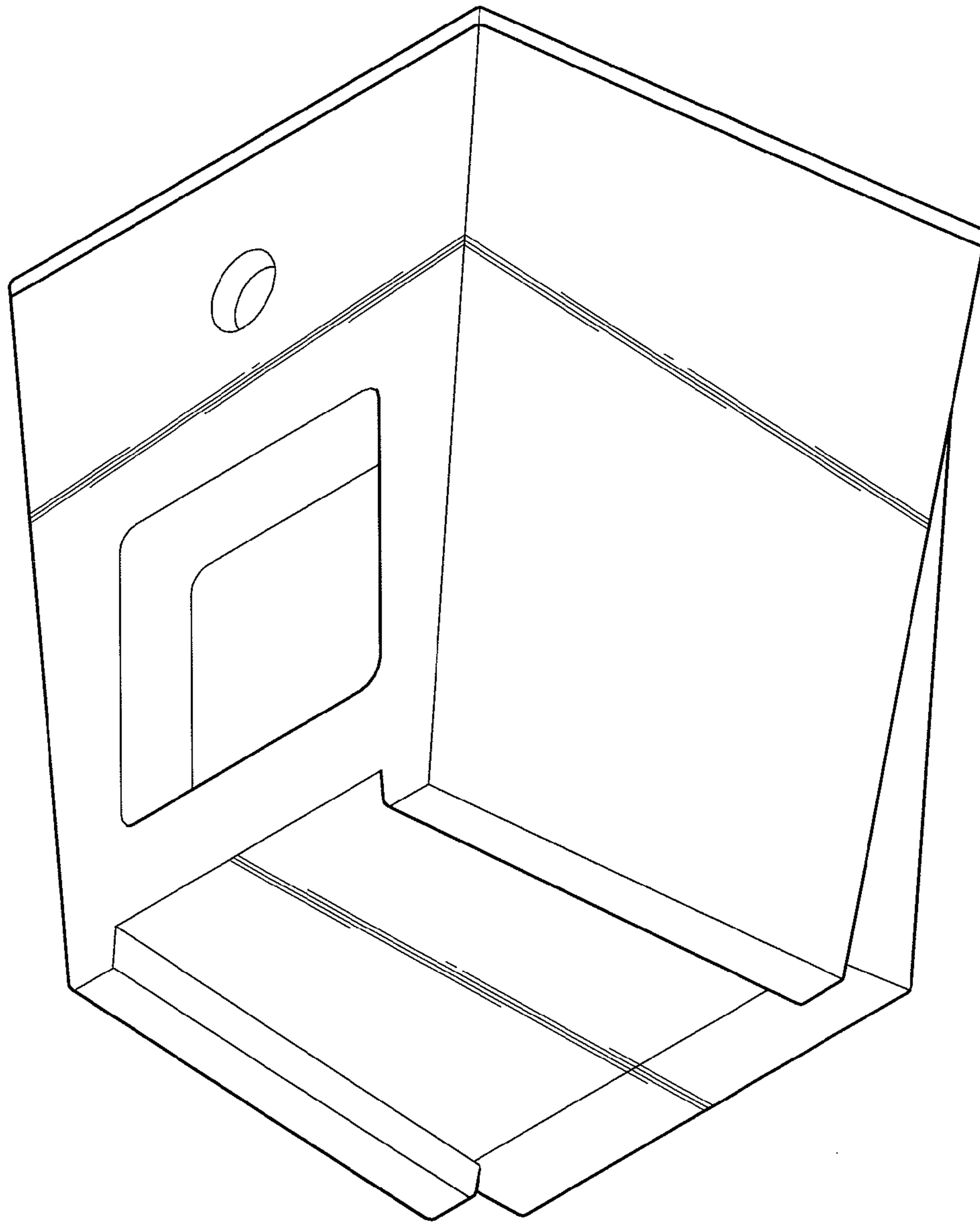


FIG.2

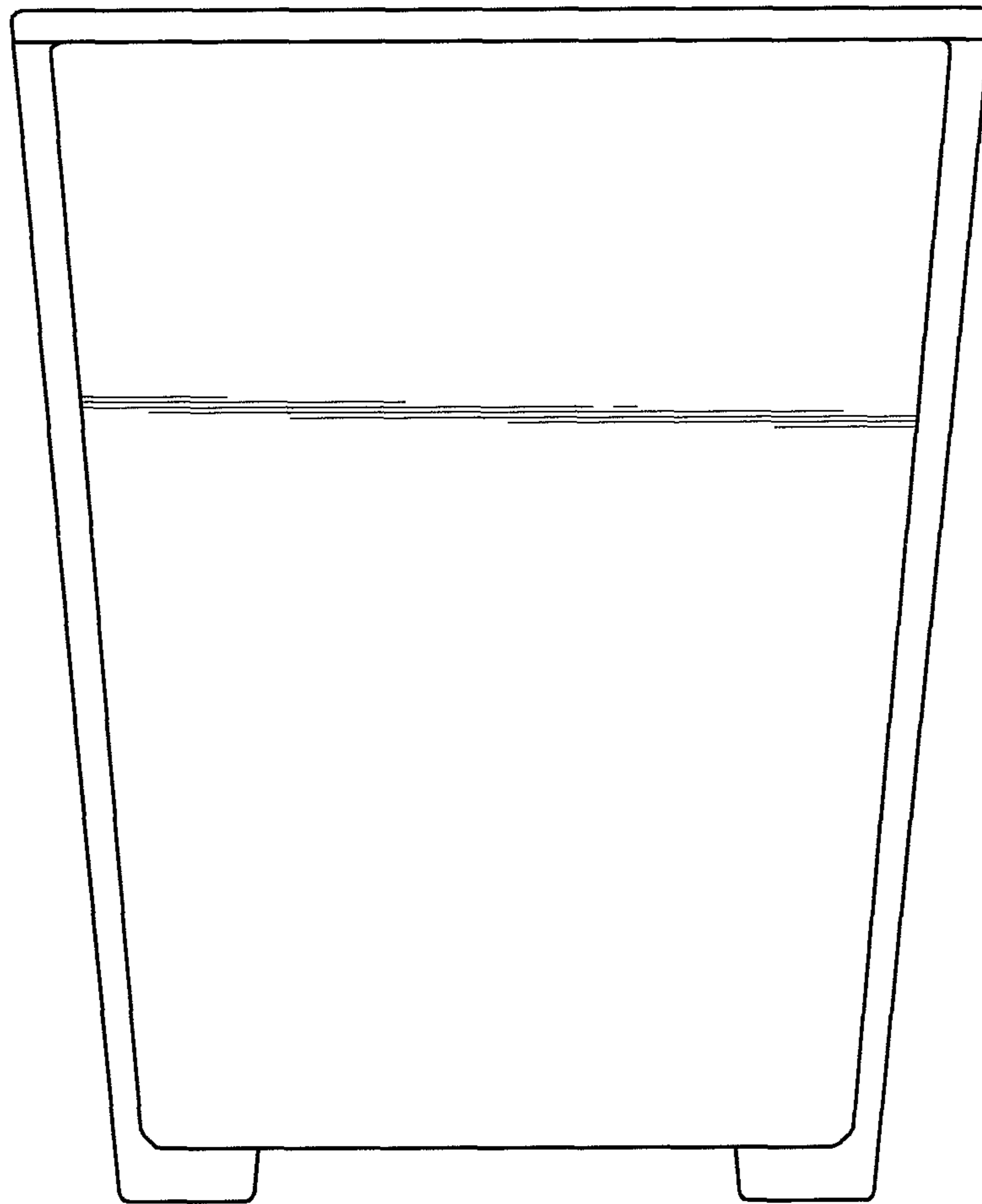


FIG.3

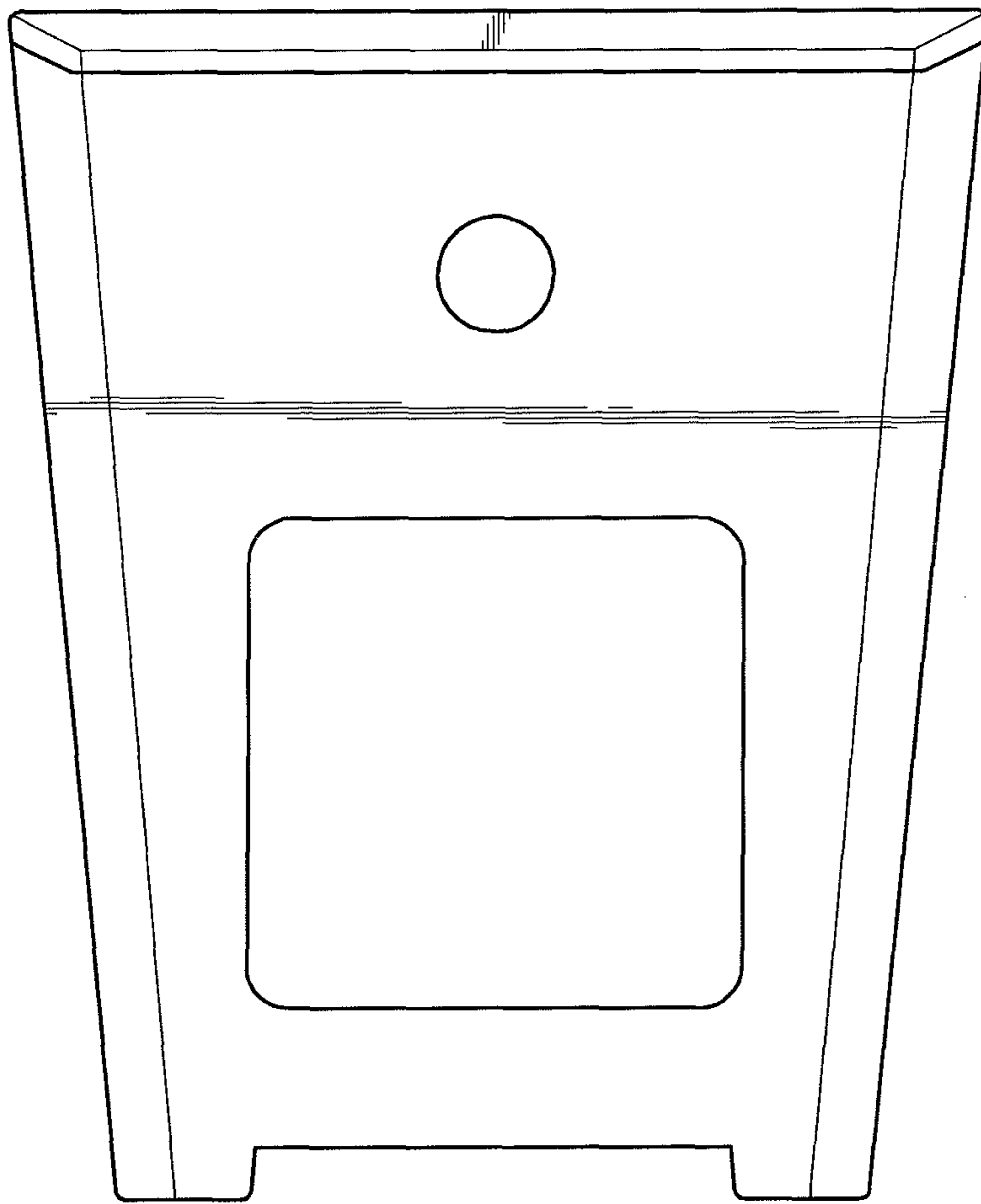


FIG.4

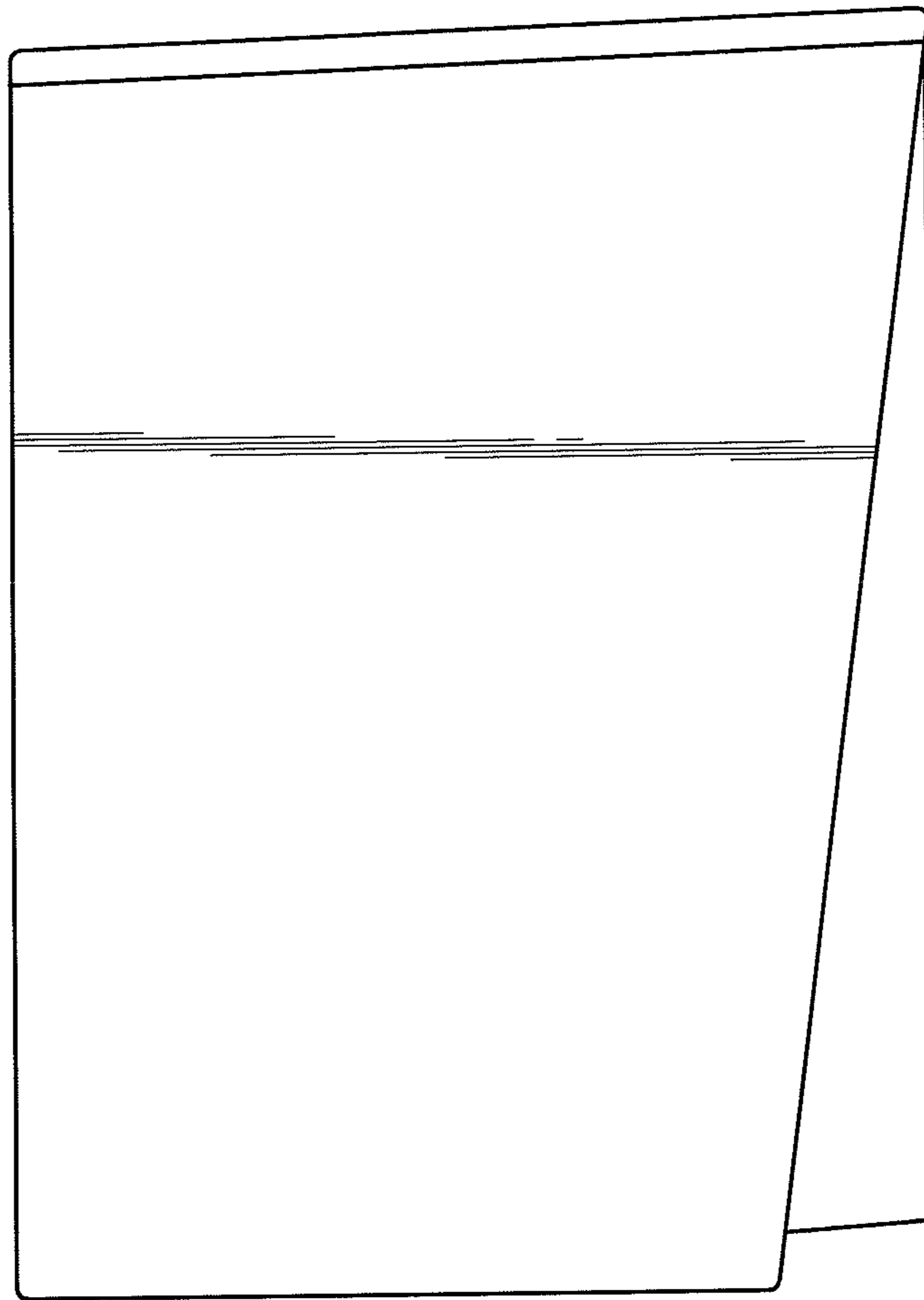


FIG.5

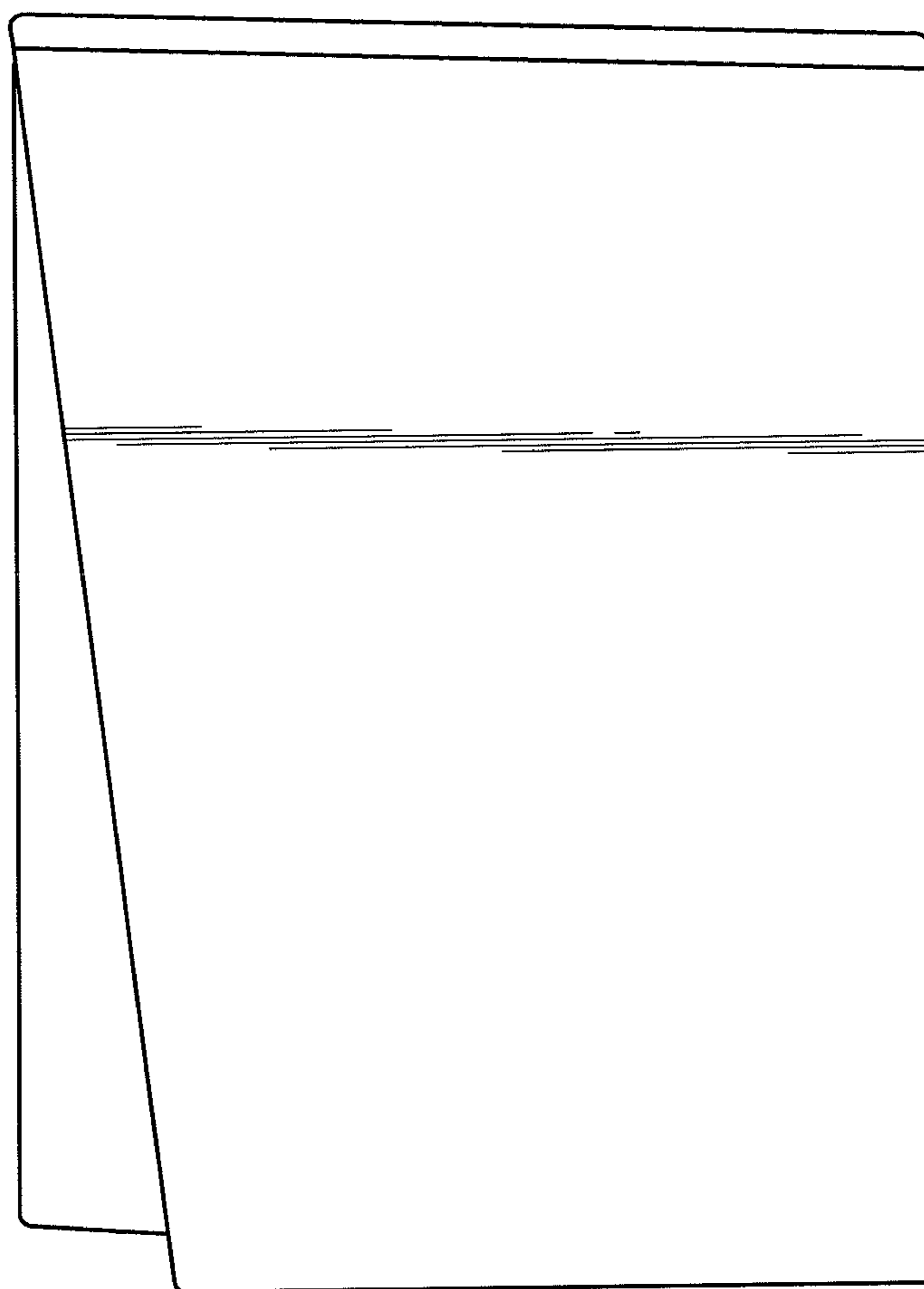


FIG.6

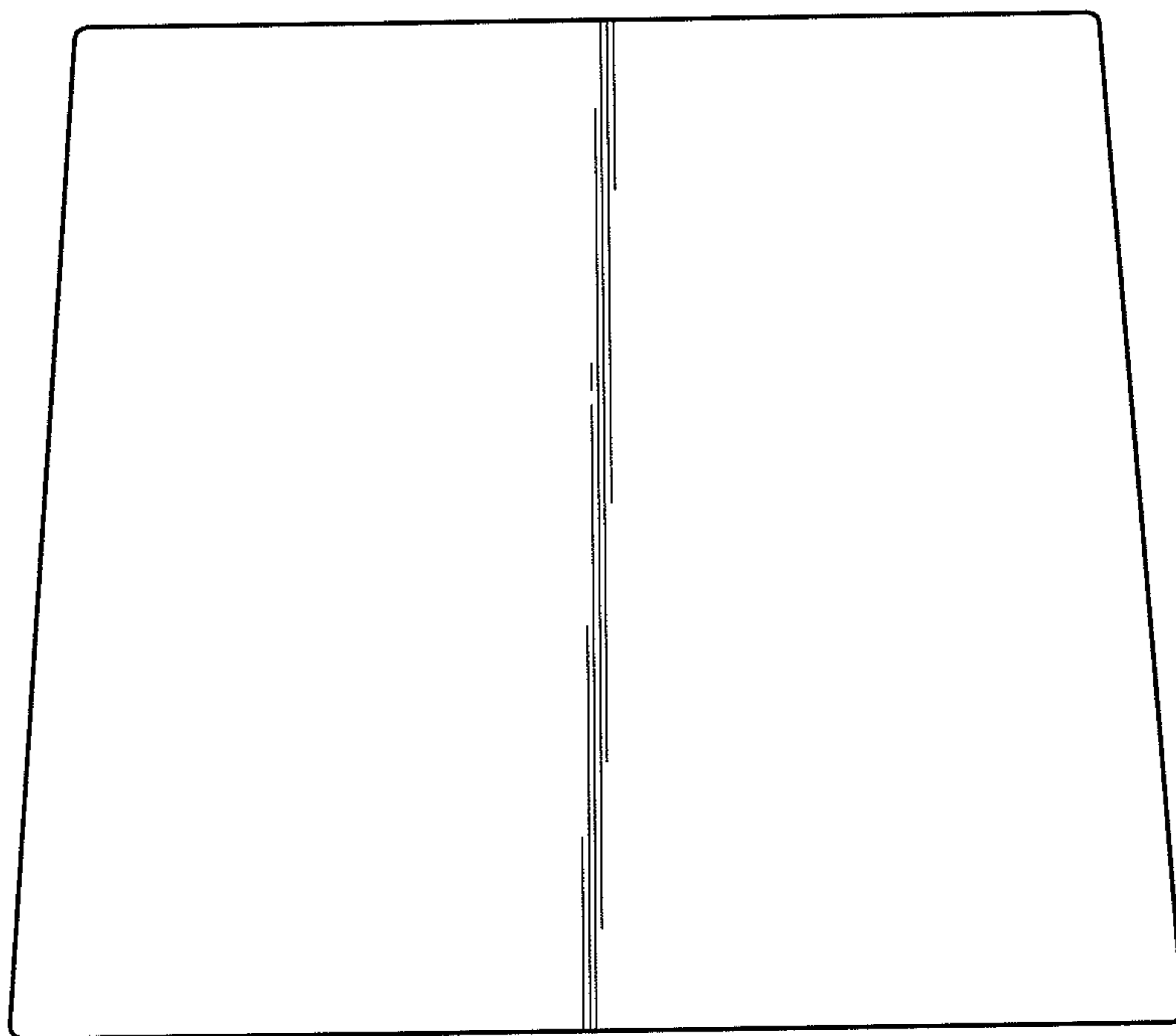


FIG. 7

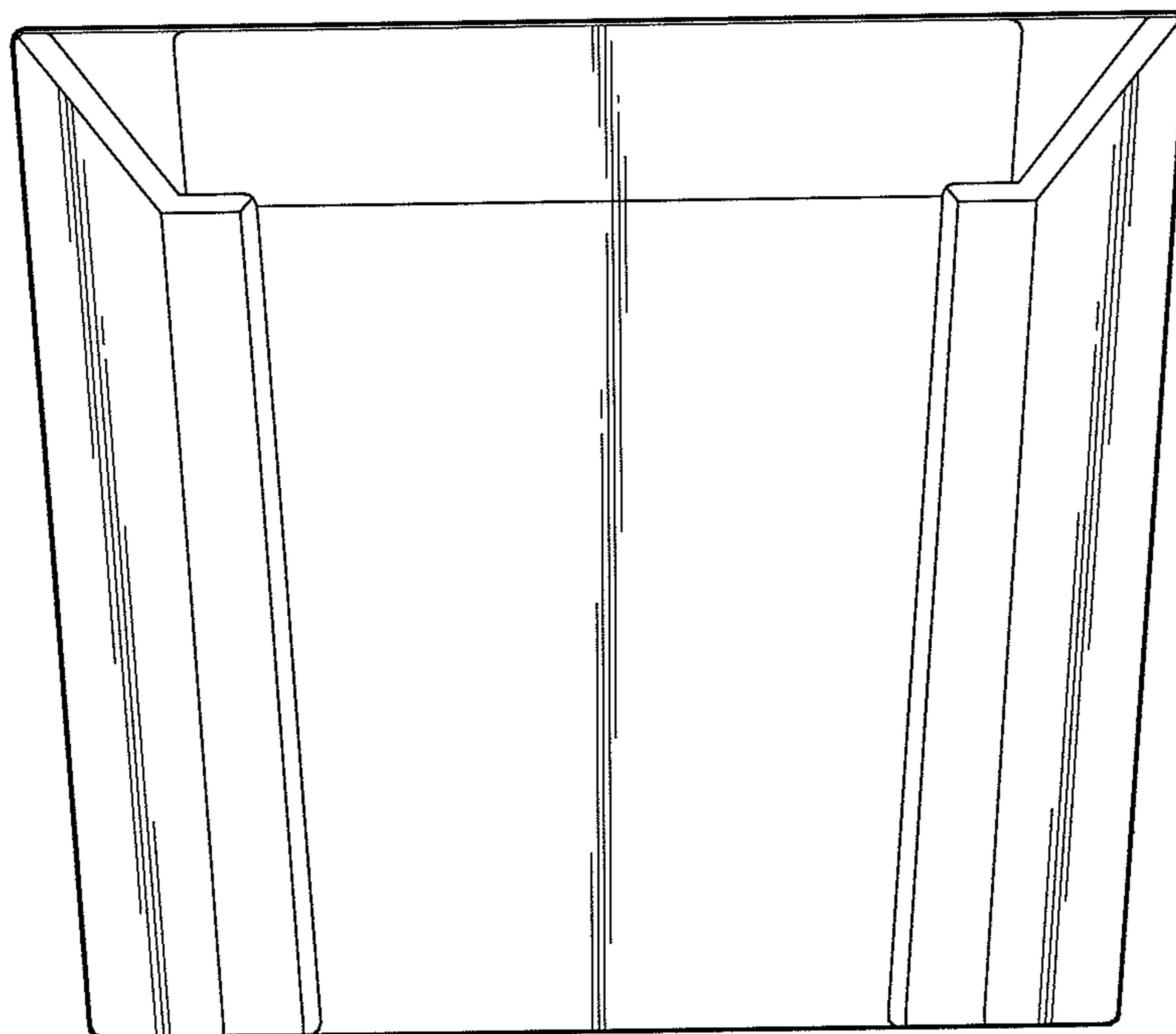


FIG. 8