



US00D698750S

(12) **United States Design Patent**
Yoon

(10) **Patent No.:** **US D698,750 S**
(45) **Date of Patent:** **** Feb. 4, 2014**

(54) **EARPHONES**

(71) Applicant: **LG Electronics Inc.**, Seoul (KR)

(72) Inventor: **Sanghoon Yoon**, Yongin-si (KR)

(73) Assignee: **LG Electronics Inc.**, Seoul (KR)

(**) Term: **14 Years**

(21) Appl. No.: **29/443,832**

(22) Filed: **Jan. 23, 2013**

(30) **Foreign Application Priority Data**

Jul. 24, 2012 (KR) 30-2012-0035882

(51) **LOC (10) Cl.** **14-01**

(52) **U.S. Cl.**
USPC **D14/206; D14/205**

(58) **Field of Classification Search**
USPC D14/205, 206, 223, 225, 192, 240, 218,
D14/188; 181/129, 130, 135; 379/430, 431;
381/380, 381, 370; 455/90.3, 575.1
See application file for complete search history.

(56) **References Cited**

U.S. PATENT DOCUMENTS

1,587,643	A *	6/1926	Harman	181/135
D299,922	S *	2/1989	Schremmer	D14/218
D316,550	S *	4/1991	Sogabe	D14/168
5,410,608	A *	4/1995	Lucey et al.	381/360
D392,979	S *	3/1998	Inukai	D14/228
D396,715	S *	8/1998	Konomi	D14/142
D430,547	S *	9/2000	Yoon	D14/142
D430,860	S *	9/2000	Yoon	D14/142
6,122,369	A *	9/2000	Hwang et al.	379/420.04
D431,553	S *	10/2000	Suzuki	D14/223
D446,499	S *	8/2001	Andre et al.	D13/110
D467,907	S *	12/2002	Marion et al.	D14/223
D554,627	S *	11/2007	Gondo	D14/223

D555,152	S *	11/2007	Wang	D14/223
D567,185	S *	4/2008	Mayo et al.	D13/158
D567,217	S *	4/2008	Kamo et al.	D14/205
D569,841	S *	5/2008	Chung et al.	D14/205
D576,154	S *	9/2008	Ledbetter et al.	D14/223
D578,508	S *	10/2008	Wang	D14/206
D582,354	S *	12/2008	Andre et al.	D13/158
D587,681	S *	3/2009	Yanai	D14/205
D588,584	S *	3/2009	Park et al.	D14/226
D589,028	S *	3/2009	Haapapuro et al.	D14/206
D594,441	S *	6/2009	Lee et al.	D14/205
D599,778	S *	9/2009	Ando	D14/205
D614,168	S *	4/2010	Rogers et al.	D14/206
D644,625	S *	9/2011	Iseki	D14/206
D659,673	S *	5/2012	Fahrendorff et al.	D14/205
D680,102	S *	4/2013	Chen	D14/223
D685,764	S *	7/2013	Coulter	D14/205

* cited by examiner

Primary Examiner — Paula Greene

(74) *Attorney, Agent, or Firm* — Birch, Stewart, Kolasch & Birch, LLP

(57) **CLAIM**

The ornamental design for an earphones, as shown and described.

DESCRIPTION

FIG. 1 is a perspective view of an earphones showing my new design;
FIG. 2 is a front view thereof where the rear view is a mirror image;
FIG. 3 is a left side view thereof;
FIG. 4 is a right side view thereof;
FIG. 5 is a top plan view thereof;
FIG. 6 is a bottom plan view thereof; and,
FIG. 7 is a perspective view showing the state of using.
The broken lines are for illustrative purposes only and form no part of the claimed design.

1 Claim, 6 Drawing Sheets

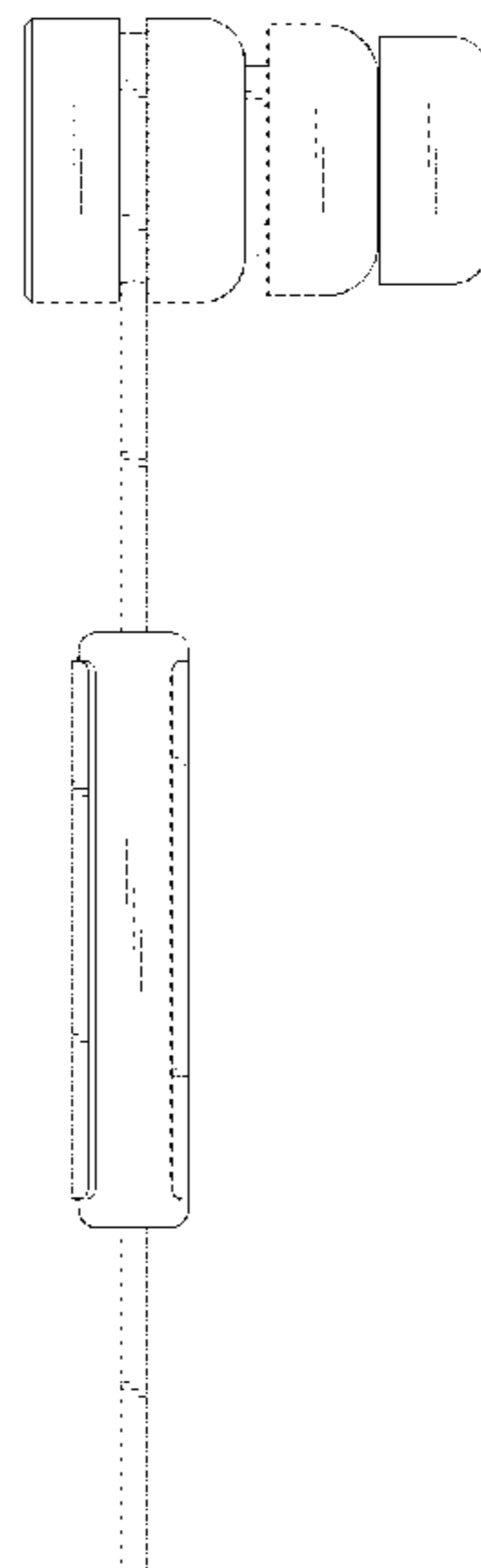
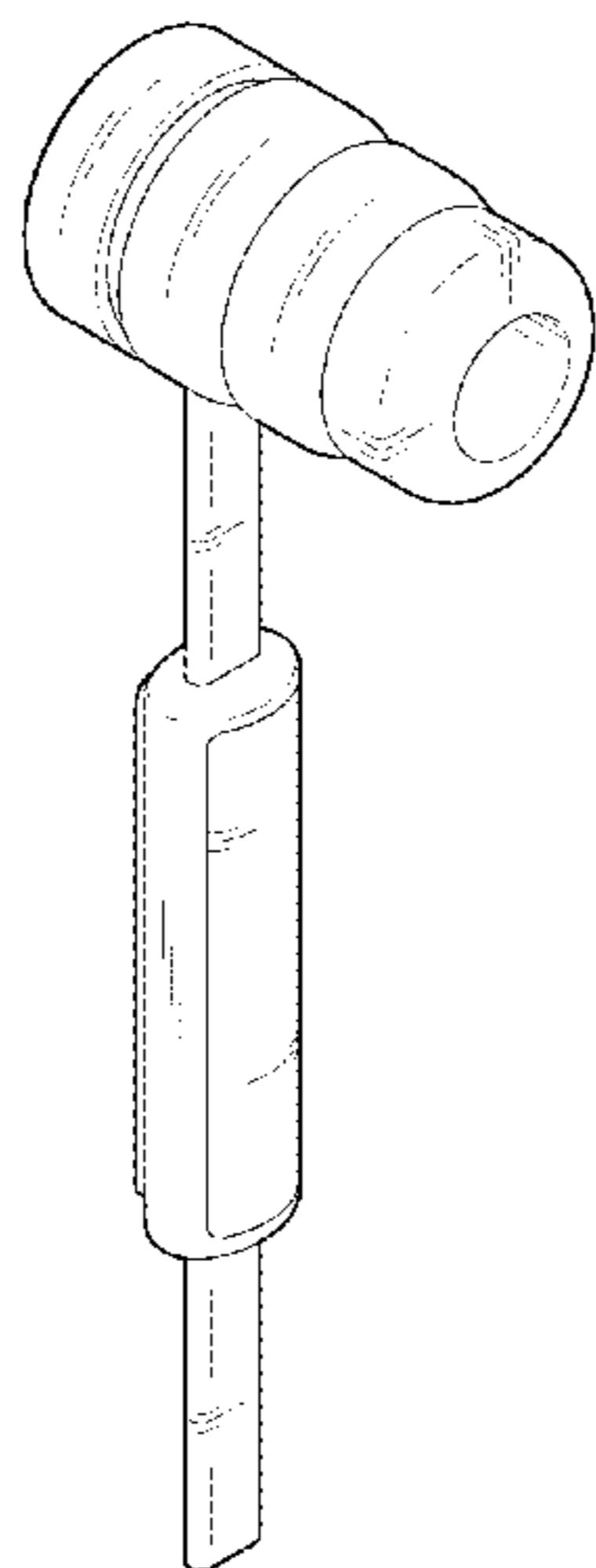


FIG. 1

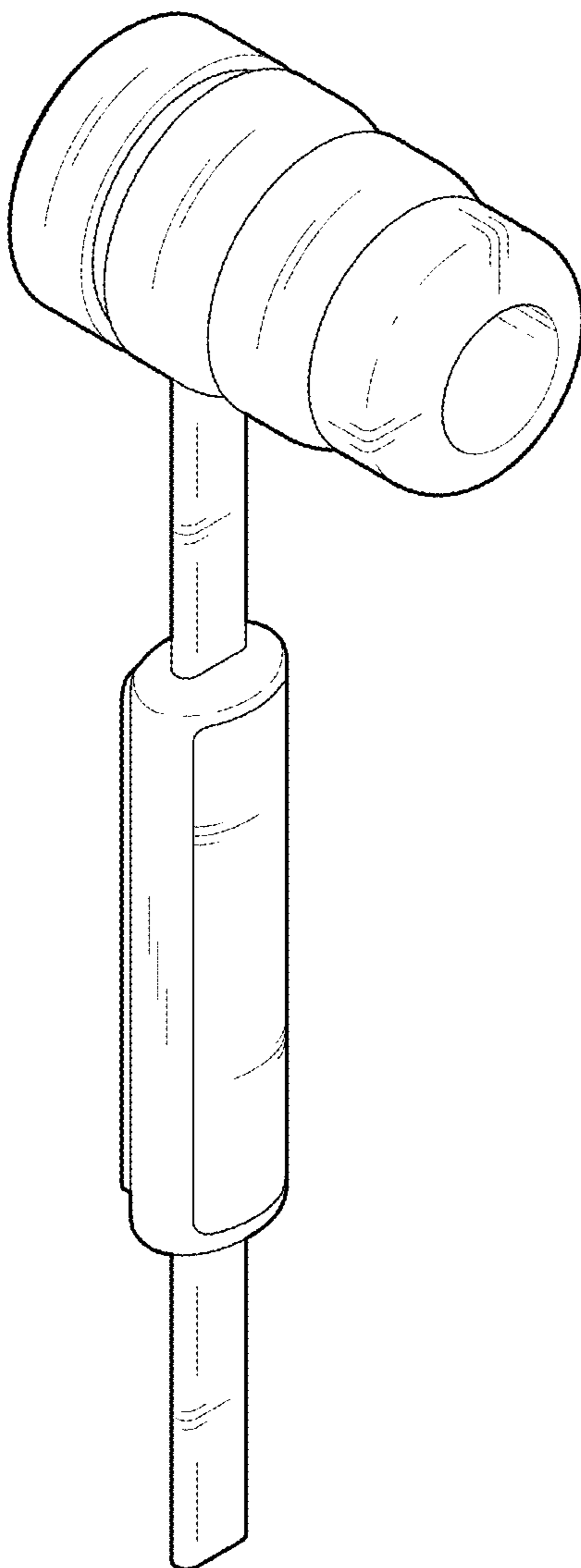


FIG. 2

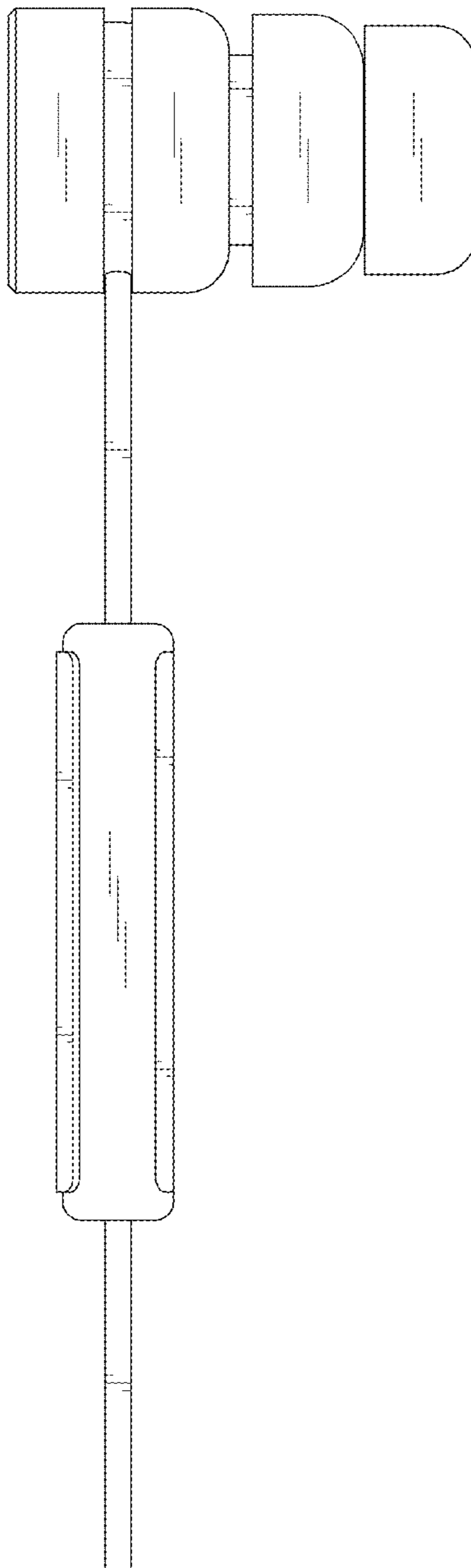


FIG. 3

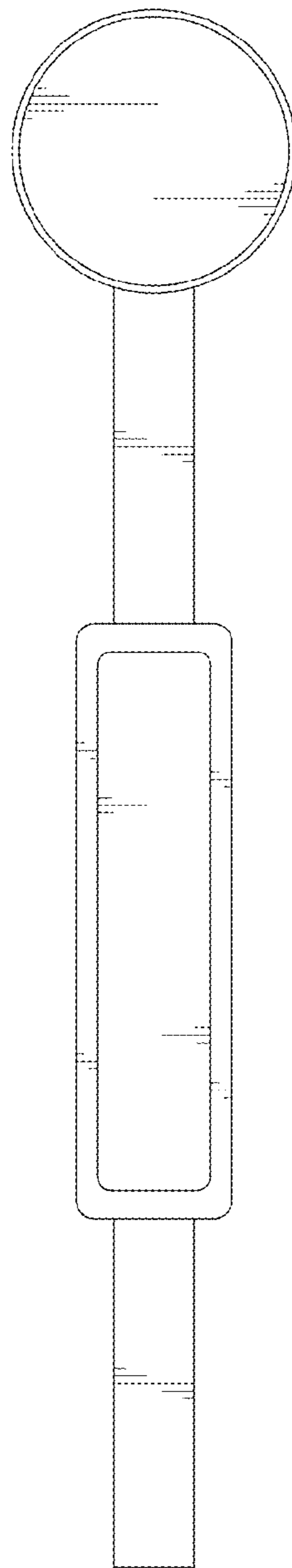


FIG. 4

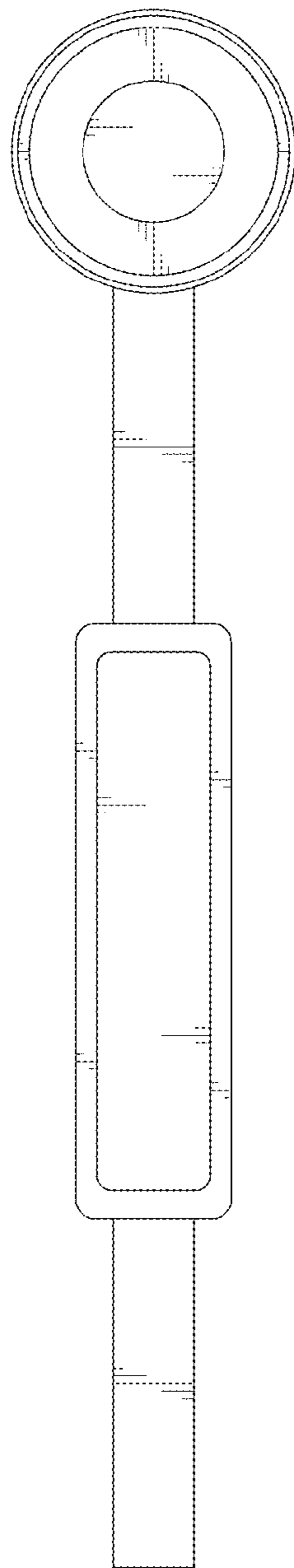


FIG. 5

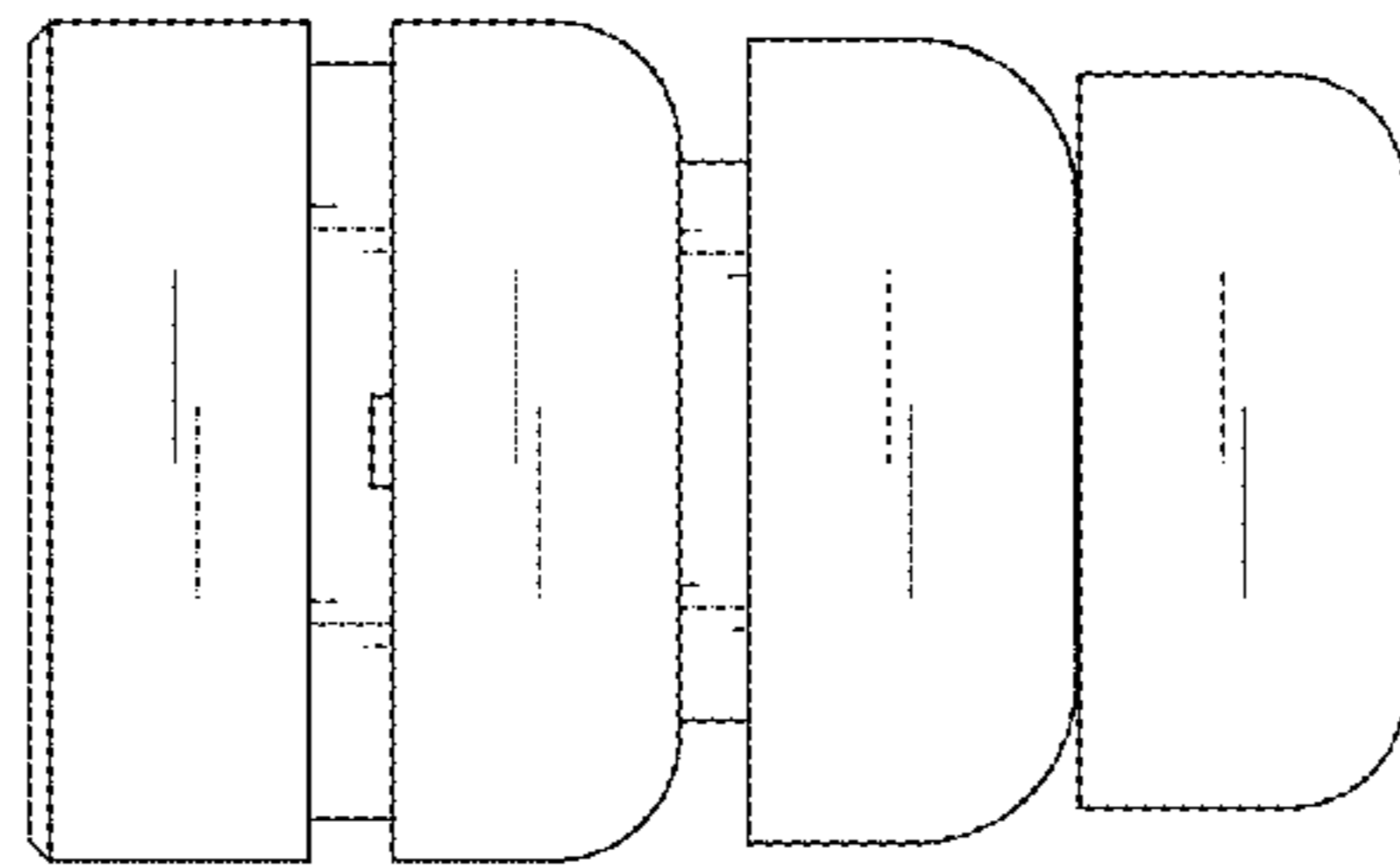


FIG. 6

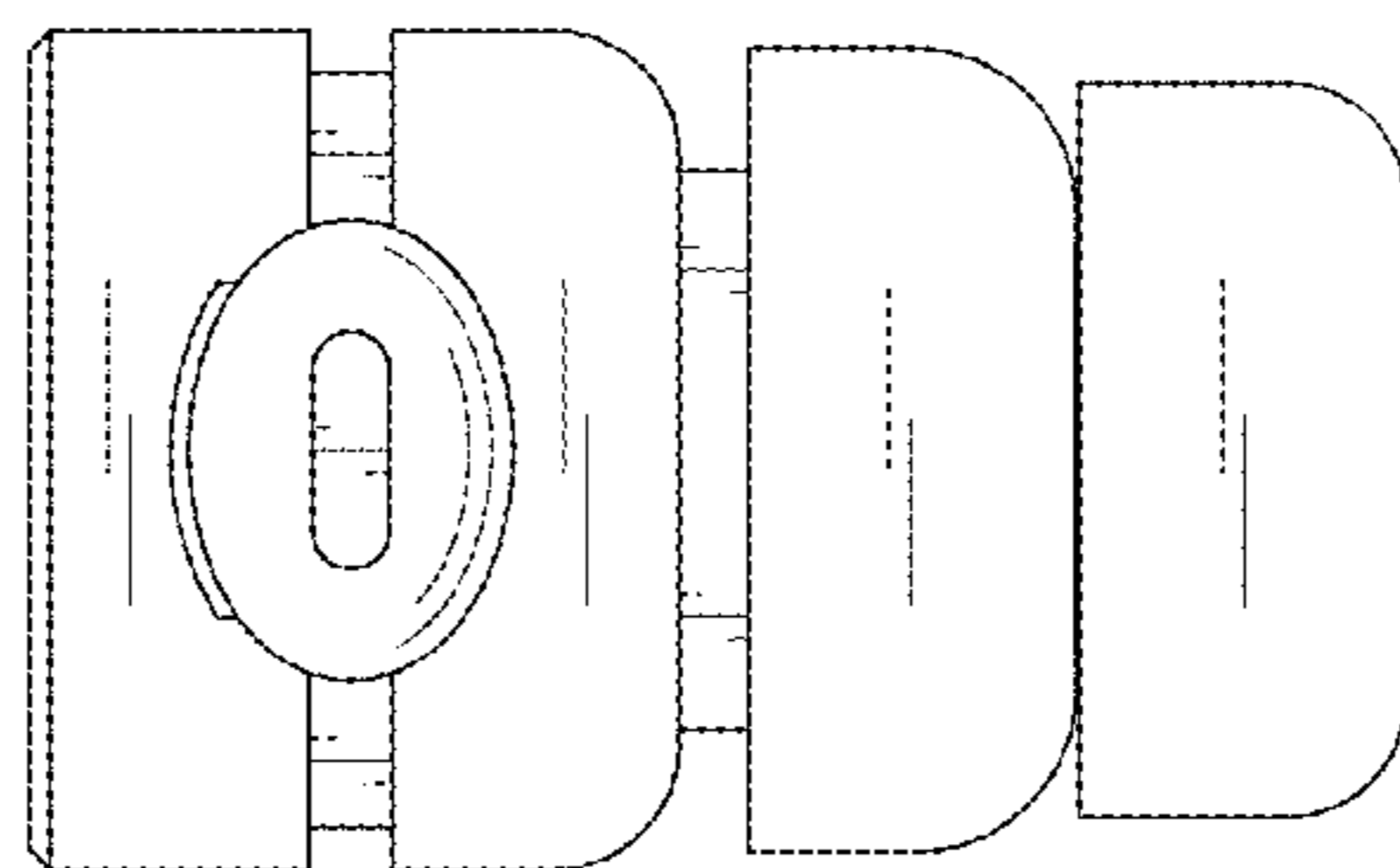


FIG. 7

