



US00D698749S

(12) **United States Design Patent**
Brunner et al.

(10) **Patent No.:** **US D698,749 S**
(45) **Date of Patent:** **** Feb. 4, 2014**

(54) **GAMING HEADSET**

(75) Inventors: **Robert Brunner**, San Francisco, CA (US); **Christopher Kuh**, San Francisco, CA (US)

(73) Assignee: **Beats Electronics, LLC**, Santa Monica, CA (US)

(**) Term: **14 Years**

(21) Appl. No.: **29/410,585**

(22) Filed: **Jan. 9, 2012**

(51) **LOC (10) Cl.** **14-01**

(52) **U.S. Cl.**
USPC **D14/206; D14/372**

(58) **Field of Classification Search**
USPC D14/206, 205, 225, 226, 372; D29/112, D29/122; 2/209; 345/7; 181/129, 130, 135; 379/430, 431; 381/380, 381

See application file for complete search history.

(56) **References Cited**

U.S. PATENT DOCUMENTS

| | | | |
|---------------|---------|-----------------|---------|
| 1,066,511 A | 7/1913 | Markoff | |
| 3,104,398 A * | 9/1963 | Palmaer | 2/209 |
| D244,300 S | 5/1977 | Besasio | |
| 4,173,715 A | 11/1979 | Gosman | |
| D254,183 S | 2/1980 | Doodson | |
| D254,876 S | 5/1980 | Reitenga | |
| 4,609,786 A | 9/1986 | Omoto et al. | |
| 4,634,816 A | 1/1987 | O'Malley et al. | |
| 4,875,233 A | 10/1989 | Derhaag | |
| D313,092 S | 12/1990 | Nilsson | |
| 5,018,599 A | 5/1991 | Dohi et al. | |
| 5,035,005 A | 7/1991 | Hung | |
| D328,074 S | 7/1992 | Yamazaki et al. | |
| D328,461 S * | 8/1992 | Daido et al. | D14/205 |
| D338,010 S | 8/1993 | Yamatogi | |
| D351,172 S | 10/1994 | Nakamura et al. | |

(Continued)

FOREIGN PATENT DOCUMENTS

| | | |
|----|---------------|---------|
| GB | 2072035 | 5/1998 |
| JP | D1318386 | 12/2007 |
| WO | WO 2007103561 | 9/2007 |
| WO | WO 2012094176 | 7/2012 |

OTHER PUBLICATIONS

Office Action dated Dec. 10, 2010 for Russian Patent Application No. 2010501890.

(Continued)

Primary Examiner — Paula Greene

(74) *Attorney, Agent, or Firm* — Michael G. Kelber; Neal, Gerber & Eisenberg LLP

(57) **CLAIM**

The ornamental design for a gaming headset, as shown and described.

DESCRIPTION

FIG. 1 is a perspective view of the gaming headset in accordance with the present invention;

FIG. 2 is a back view of the embodiment of the gaming headset depicted in FIG. 1;

FIG. 3 is a bottom view of the embodiment of the gaming headset depicted in FIG. 1;

FIG. 4 is a front view of the embodiment of the gaming headset depicted in FIG. 1;

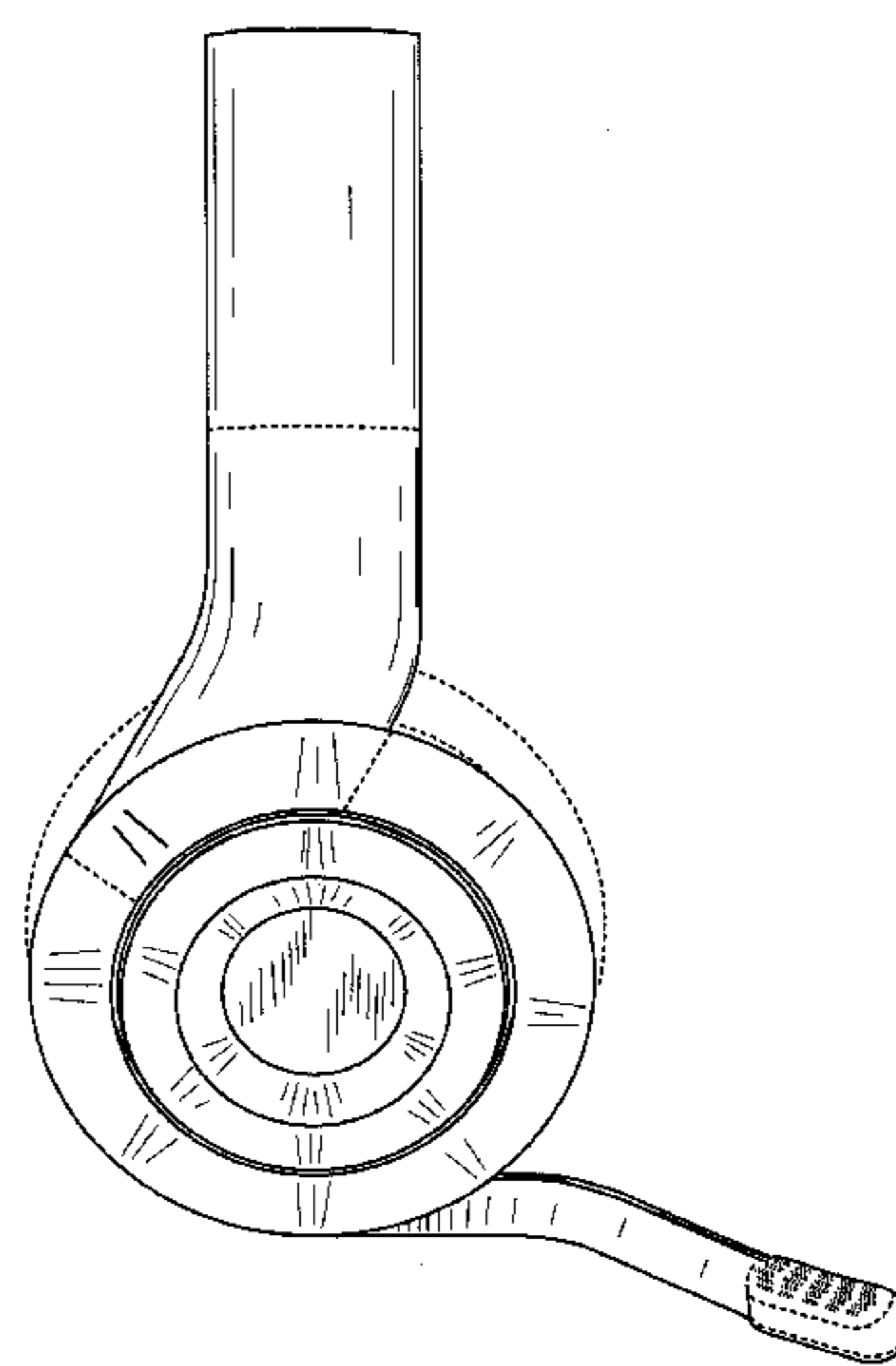
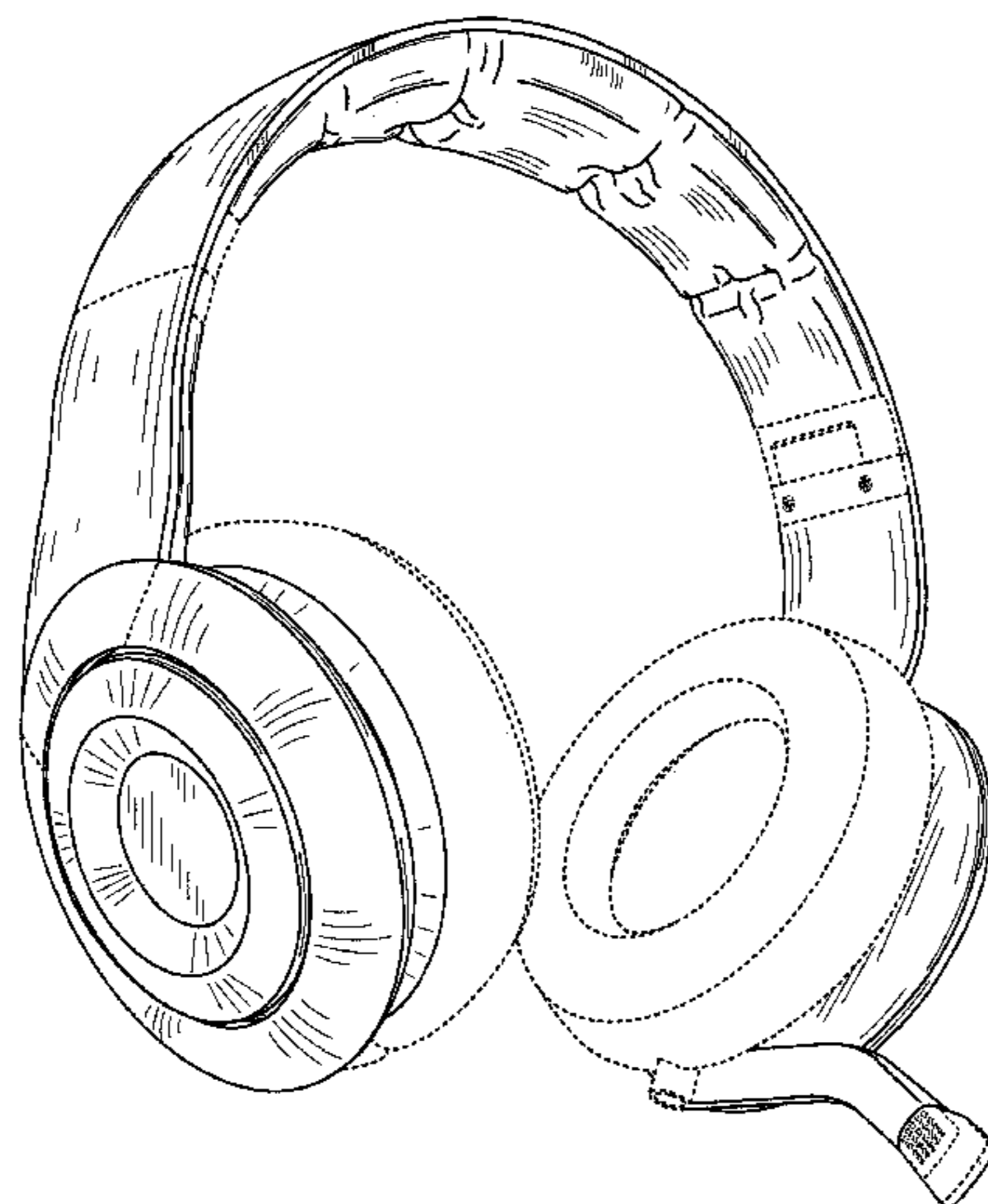
FIG. 5 is a left view of the embodiment of the gaming headset depicted in FIG. 1;

FIG. 6 is a right view of the embodiment of the gaming headset depicted in FIG. 1; and,

FIG. 7 is a top view of the embodiment of the gaming headset depicted in FIG. 1.

The broken lines showing the environment in the Figures are for illustrative purposes only and form no part of the claimed design.

1 Claim, 7 Drawing Sheets



(56)

References Cited

U.S. PATENT DOCUMENTS

D358,389 S 5/1995 Isono
 D375,825 S 11/1996 Whidden
 D403,128 S * 12/1998 Scanlon et al. D29/122
 D420,356 S 2/2000 Suzuki
 D422,592 S 4/2000 Deguchi
 6,081,604 A 6/2000 Hikichi et al.
 D430,140 S 8/2000 Roman
 D435,249 S 12/2000 Yasutomi
 6,163,615 A 12/2000 Callahan
 6,195,839 B1 3/2001 Patterson et al.
 D457,512 S 5/2002 Yoneda
 6,449,806 B1 * 9/2002 Engelhard et al. 24/3.1
 D468,723 S 1/2003 Pham
 D484,485 S 12/2003 Matsuoka
 6,654,966 B2 12/2003 Rolla et al.
 D484,868 S 1/2004 Suzuki
 6,678,897 B2 1/2004 Lindgren
 D491,163 S 6/2004 Green
 D502,938 S 3/2005 Tokioka
 D504,883 S 5/2005 Jacobson et al.
 D512,381 S 12/2005 Sirichai et al.
 D512,708 S 12/2005 Harris, Jr. et al.
 D512,981 S 12/2005 Jacobson et al.
 D517,043 S 3/2006 Jacobson et al.
 7,072,483 B2 7/2006 Lenhard-Backhaus
 D532,407 S 11/2006 Motoishi
 D534,155 S 12/2006 Obata
 D534,156 S 12/2006 Obata
 7,172,052 B2 2/2007 Lenhard-Backhaus
 D539,788 S * 4/2007 Thompson et al. D14/225
 D540,301 S 4/2007 Obata
 D540,303 S * 4/2007 Rausch et al. D14/205
 D541,256 S * 4/2007 Rausch et al. D14/205
 D541,257 S 4/2007 Thursfield
 D552,077 S * 10/2007 Brunner et al. D14/205
 D557,684 S 12/2007 Pundsack et al.
 D563,382 S 3/2008 Wikel
 D563,995 S 3/2008 Deguchi et al.
 D582,890 S 12/2008 Koza et al.
 D584,715 S 1/2009 Brennwald
 D585,870 S 2/2009 Zheng et al.
 D585,871 S 2/2009 Lee
 D585,872 S 2/2009 Lee
 D588,098 S 3/2009 Kurihara
 D588,100 S 3/2009 Densho
 D591,263 S 4/2009 Shimizu
 D592,182 S 5/2009 Sanguinetti
 D592,640 S 5/2009 Tkachuk
 D593,995 S 6/2009 Shimizu
 D600,674 S 9/2009 Brennwald
 D603,370 S 11/2009 Suzuki

D603,371 S 11/2009 Boateng et al.
 D616,865 S 6/2010 Marchand et al.
 D617,769 S 6/2010 Birger
 7,735,154 B2 6/2010 Gellis et al.
 D625,705 S 10/2010 Otori et al.
 D632,668 S * 2/2011 Brunner et al. D14/205
 D633,896 S 3/2011 Kondo et al.
 D635,959 S 4/2011 Hutchieson
 D637,176 S 5/2011 Brunner et al.
 D637,998 S * 5/2011 Brunner et al. D14/205
 D637,999 S * 5/2011 Brunner et al. D14/205
 D638,000 S * 5/2011 Hoggarth D14/206
 D639,776 S 6/2011 Arimoto
 D641,725 S 7/2011 Chong et al.
 D648,330 S * 11/2011 Fischer D14/226
 D652,017 S * 1/2012 Groves et al. D14/206
 D652,405 S 1/2012 Lee et al.
 D652,406 S * 1/2012 Lee et al. D14/205
 D654,471 S * 2/2012 Fischer D14/206
 D654,472 S * 2/2012 Fischer D14/206
 D657,344 S * 4/2012 Brunner et al. D14/205
 D657,345 S * 4/2012 Brunner et al. D14/205
 D660,823 S * 5/2012 Hardi et al. D14/205
 D660,824 S * 5/2012 Hardi et al. D14/205
 D660,826 S * 5/2012 Brunner et al. D14/223
 D663,716 S * 7/2012 Hardi et al. D14/205
 D673,520 S * 1/2013 Tan D14/205
 D674,767 S * 1/2013 Brunner et al. D14/205
 2003/0182713 A1 10/2003 Rolla
 2004/0216946 A1 11/2004 Lenhard-Backhaus
 2005/0053255 A1 3/2005 Harris et al.
 2005/0226452 A1 10/2005 Amae et al.
 2006/0001307 A1 1/2006 Embach
 2006/0062417 A1 3/2006 Tachikawa
 2006/0104471 A1 5/2006 Tsunoda et al.
 2008/0056525 A1 3/2008 Fujiwara et al.
 2009/0220118 A1 9/2009 Meier et al.
 2010/0128884 A1 5/2010 Sapiejewski et al.
 2010/0284558 A1 11/2010 Kimura et al.
 2011/0206216 A1 8/2011 Brunner et al.

OTHER PUBLICATIONS

Search Report dated Mar. 31, 2011 for Taiwan Patent Application No. 099303306.
 Search Report and Written Opinion for PCT/US2011/67045 dated Sep. 27, 2012.
 Unpublished pending U.S. Appl. No. 29/417,832, filed Apr. 9, 2012 a copy of which is not being furnished herewith, pursuant to the Commissioner's Notice dated Sep. 21, 2004.
 Unpublished pending U.S. Appl. No. 13/517,035, filed Jun. 18, 2012 a copy of which is not being furnished herewith, pursuant to the Commissioner's Notice dated Sep. 21, 2004.

* cited by examiner

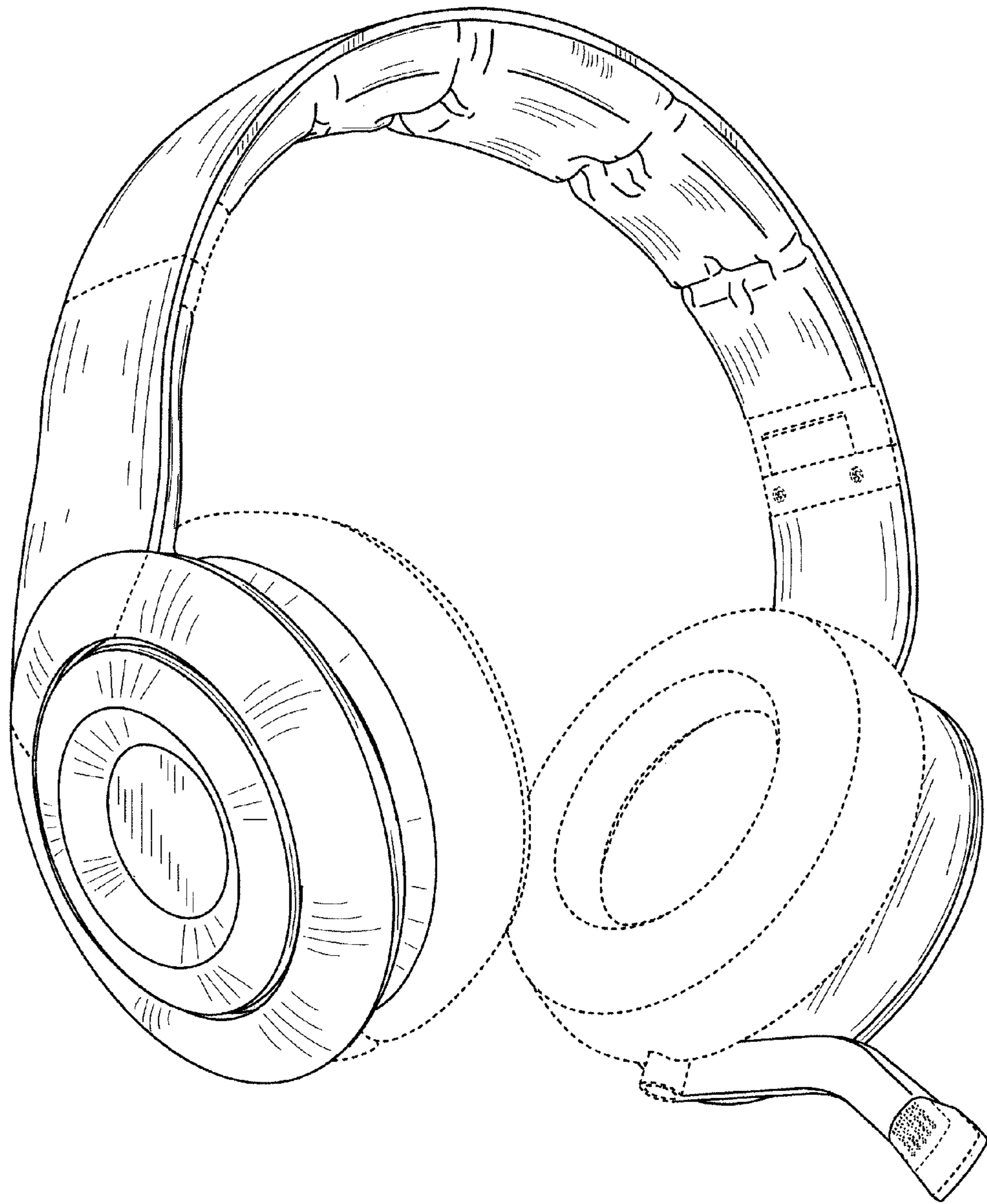


FIG. 1

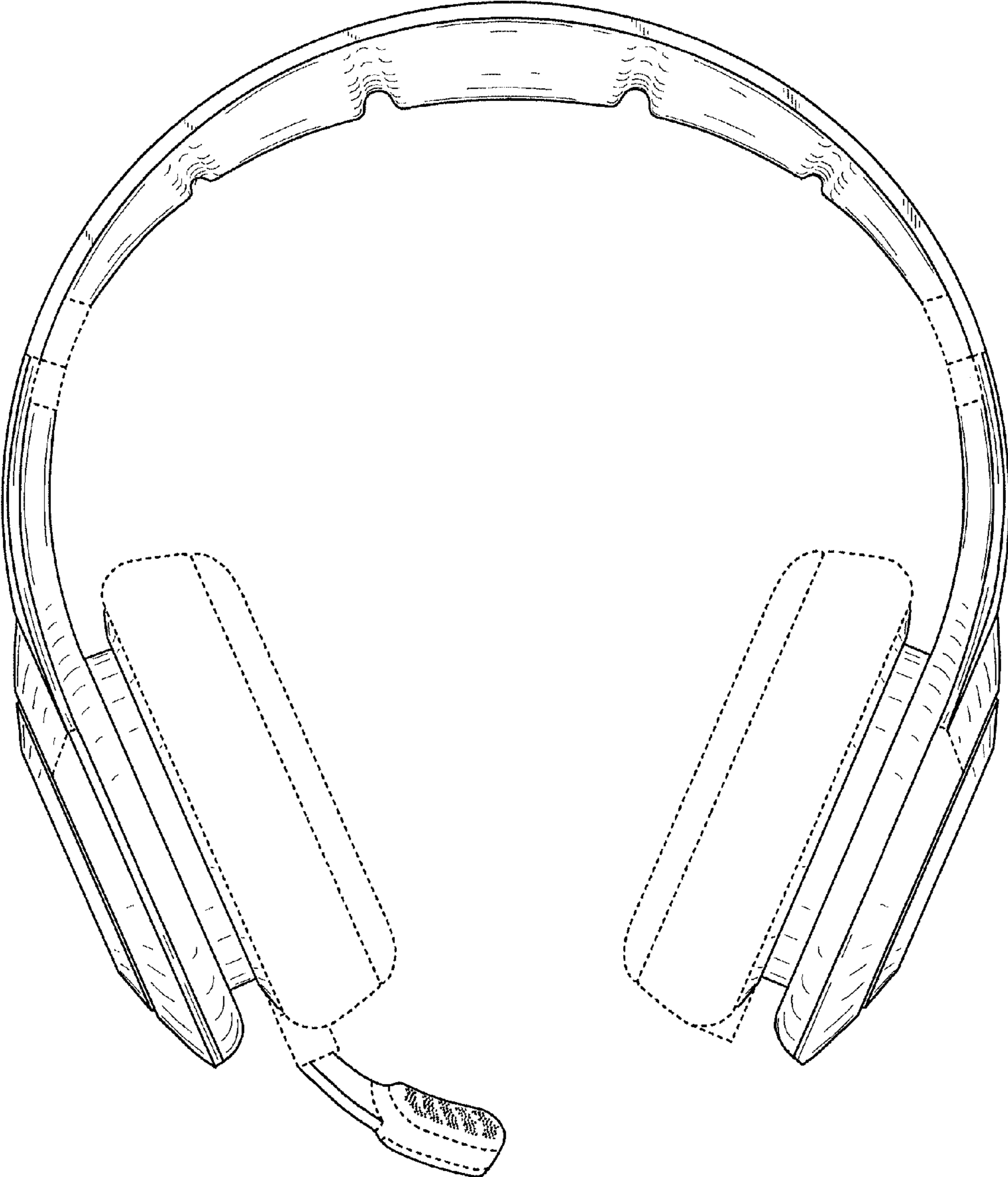


FIG. 2

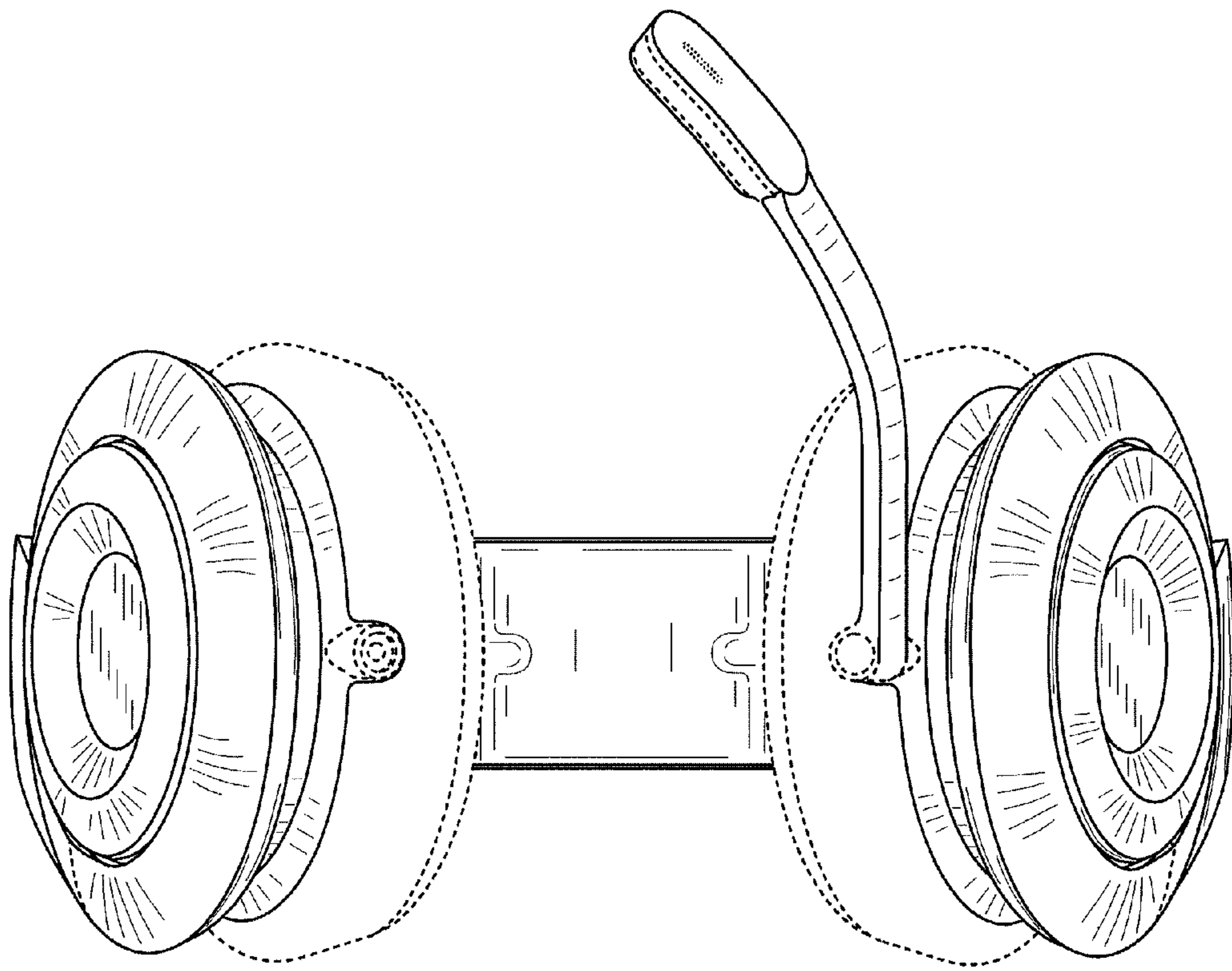


FIG. 3

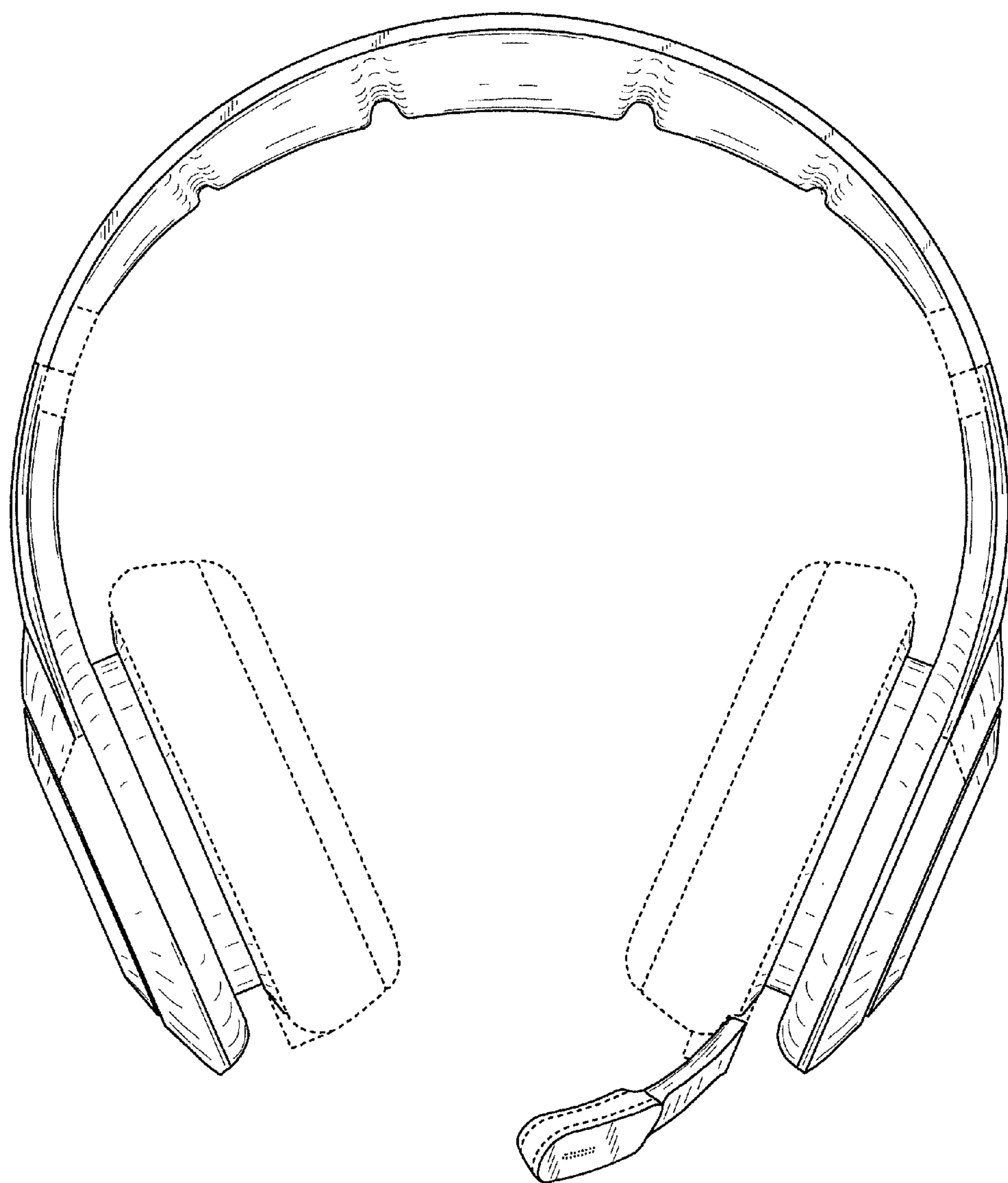


FIG. 4

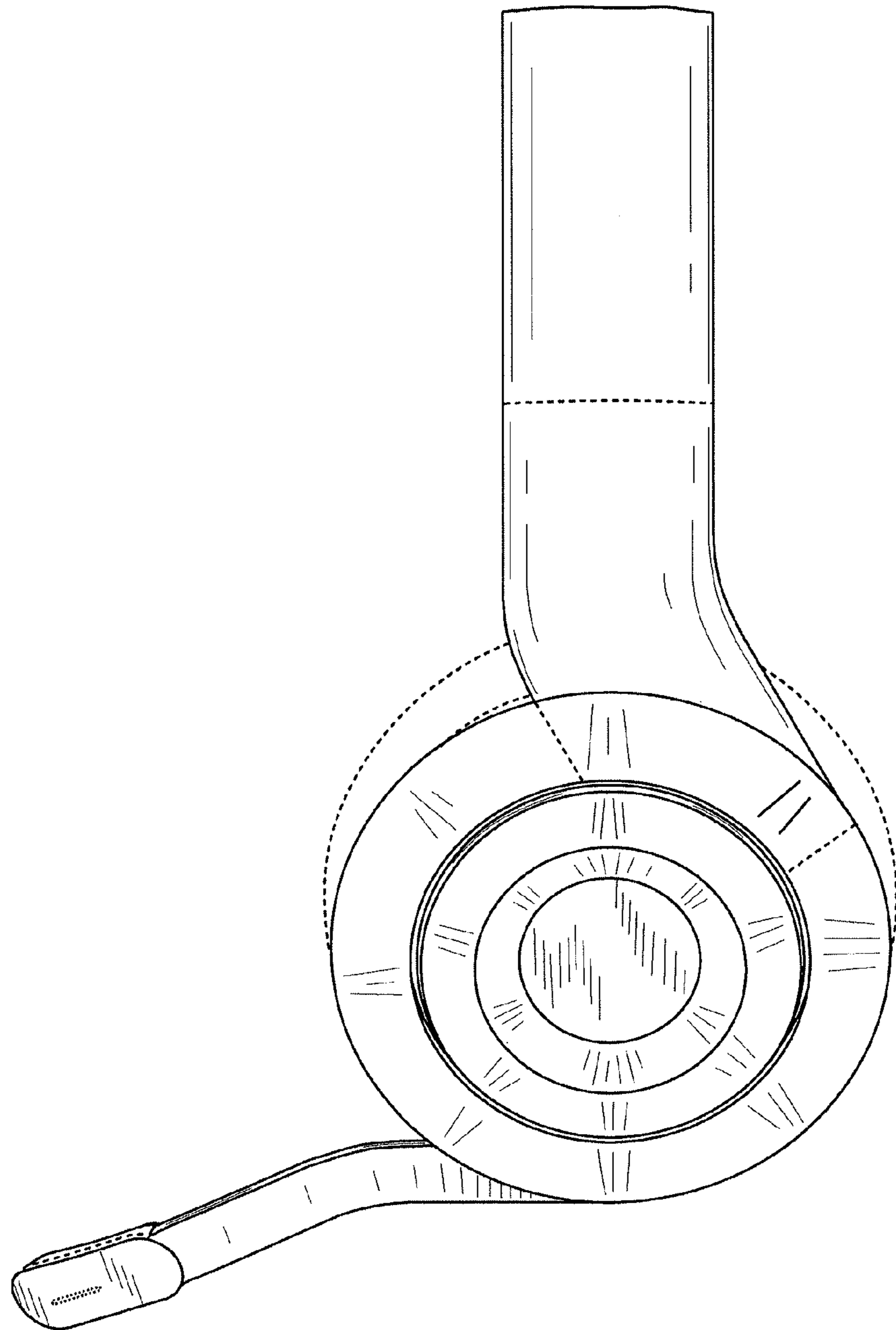


FIG. 5

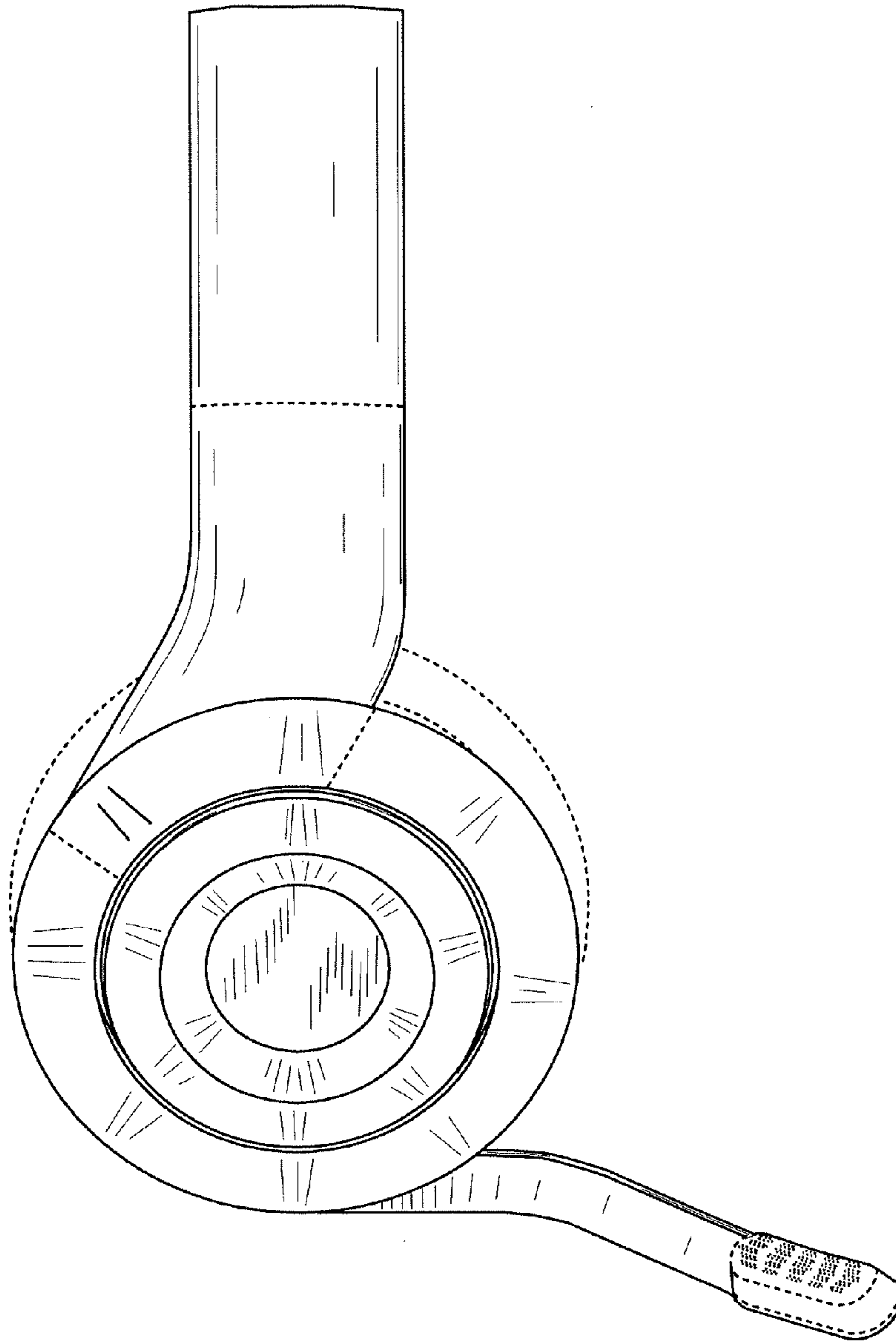


FIG. 6

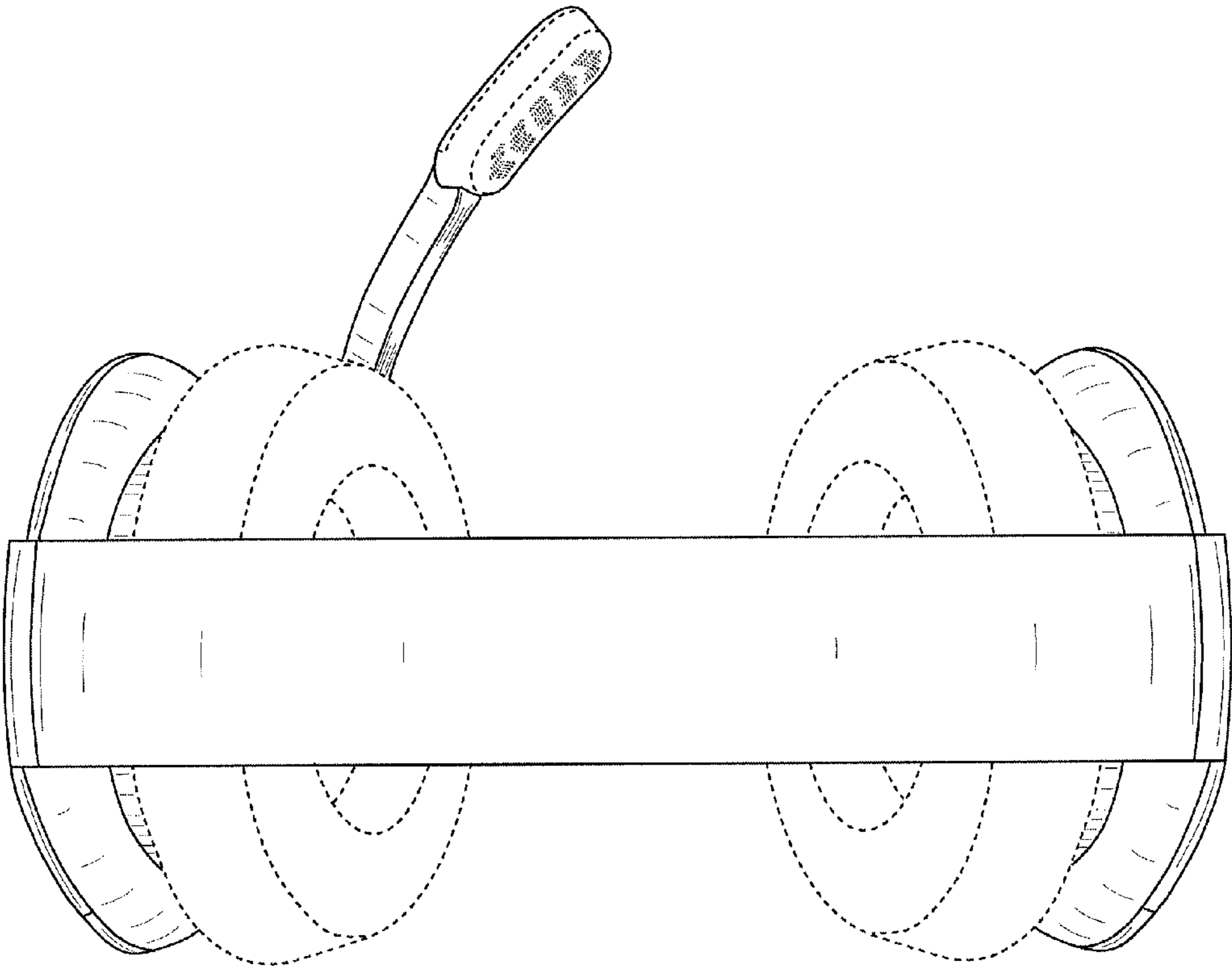


FIG. 7