



US00D698748S

(12) **United States Design Patent**
Naitou

(10) **Patent No.:** **US D698,748 S**
(45) **Date of Patent:** **** Feb. 4, 2014**

- (54) **PORTION OF HEADPHONES**
- (71) Applicant: **JVC Kenwood Corporation**, Yokohama (JP)
- (72) Inventor: **Ayaka Naitou**, Yokohama (JP)
- (73) Assignee: **JVC Kenwood Corporation**, Yokohama-Shi, Kanagawa (JP)
- (**) Term: **14 Years**
- (21) Appl. No.: **29/446,309**
- (22) Filed: **Feb. 22, 2013**

D625,705 S *	10/2010	Ohuri et al.	D14/205
D634,732 S *	3/2011	Kondo et al.	D14/205
D642,554 S *	8/2011	Schaal et al.	D14/205
8,098,872 B2 *	1/2012	Chang	381/371
D656,491 S *	3/2012	Nomura	D14/223
D658,630 S *	5/2012	Gondo	D14/205
D661,685 S *	6/2012	Lee et al.	D14/205
D662,080 S *	6/2012	Carr et al.	D14/205
D673,521 S *	1/2013	Yoneyama et al.	D14/205
8,363,877 B2 *	1/2013	Morisawa	381/383
D677,243 S *	3/2013	Kitayama et al.	D14/205
D683,334 S *	5/2013	Gondo	D14/223
D683,717 S *	6/2013	Kelly et al.	D14/205
D686,190 S *	7/2013	Karacal et al.	D14/205
D686,592 S *	7/2013	Gondo	D14/205
D691,579 S *	10/2013	Lee et al.	D14/205

* cited by examiner

- (30) **Foreign Application Priority Data**
Sep. 28, 2012 (JP) 2012-023709
- (51) **LOC (10) Cl.** **14-01**
- (52) **U.S. Cl.**
USPC **D14/205**
- (58) **Field of Classification Search**
USPC D14/205, 206; D29/112; 2/209;
181/129, 130, 135; 379/430, 431;
381/380, 381, 370, 374, 378, 383
See application file for complete search history.

Primary Examiner — Paula Greene
(74) *Attorney, Agent, or Firm* — Nath, Goldberg & Meyer;
Jerald L. Meyer; Scott C. Langford

- (56) **References Cited**
U.S. PATENT DOCUMENTS
D477,822 S * 7/2003 Komiyama D14/223
7,072,483 B2 * 7/2006 Lenhard-Backhaus 381/383
D538,270 S * 3/2007 Kim et al. D14/223
7,388,960 B2 * 6/2008 Kuo et al. 381/186
7,412,070 B2 * 8/2008 Kleinschmidt et al. 381/374
D584,293 S * 1/2009 Kim et al. D14/223
D597,070 S * 7/2009 Zheng D14/205
7,720,246 B2 * 5/2010 Wang et al. 381/383
D616,865 S * 6/2010 Marchand et al. D14/205

(57) **CLAIM**
The ornamental design for a portion of headphones, as shown and described.

DESCRIPTION

FIG. 1 is a perspective view of a portion of headphones showing my new design;
FIG. 2 is a front view thereof;
FIG. 3 is a rear view thereof;
FIG. 4 is a right side view thereof;
FIG. 5 is a left side view thereof;
FIG. 6 is a top plan view thereof; and,
FIG. 7 is a bottom plan view thereof.
The broken lines shown are included for the purpose of illustrating the unclaimed portions of the article and form no part of the claim.

1 Claim, 6 Drawing Sheets

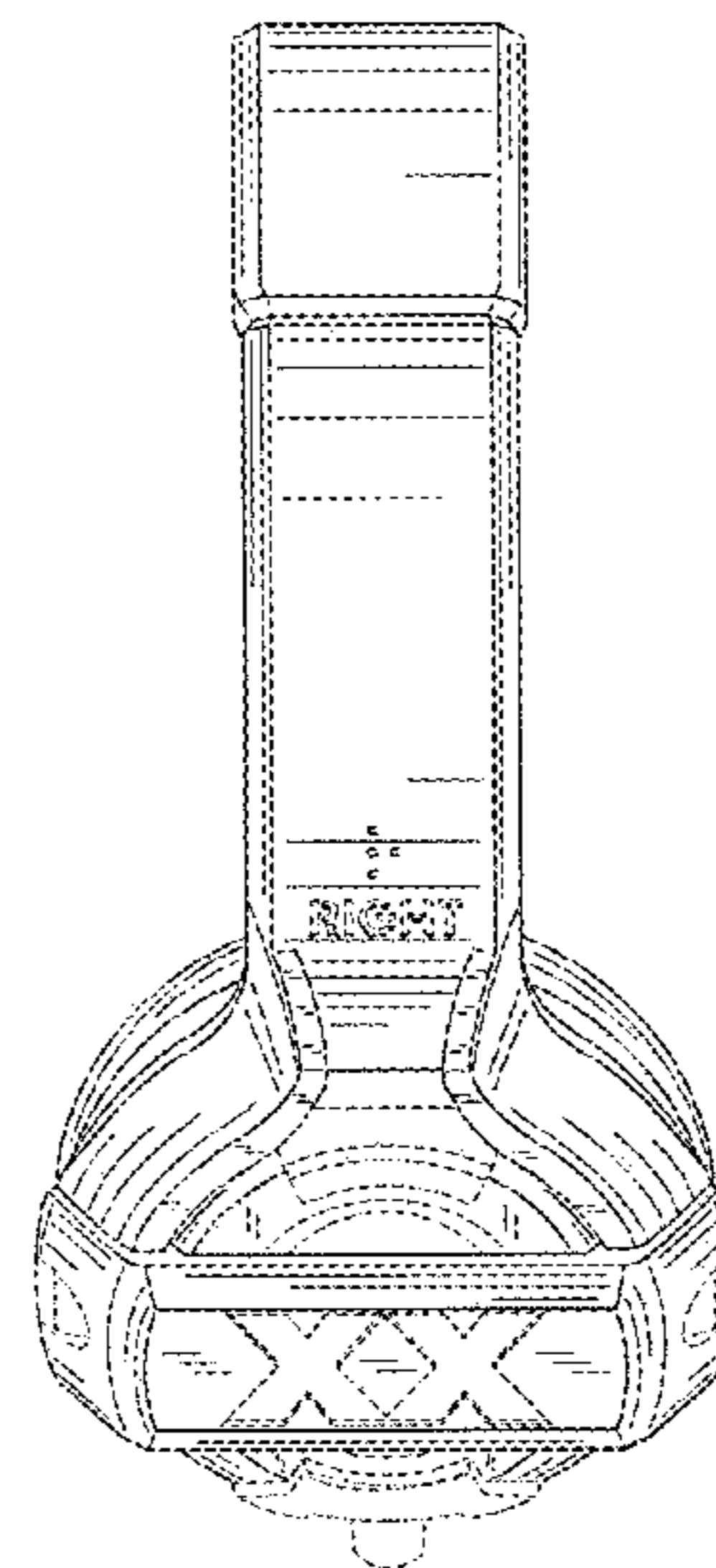
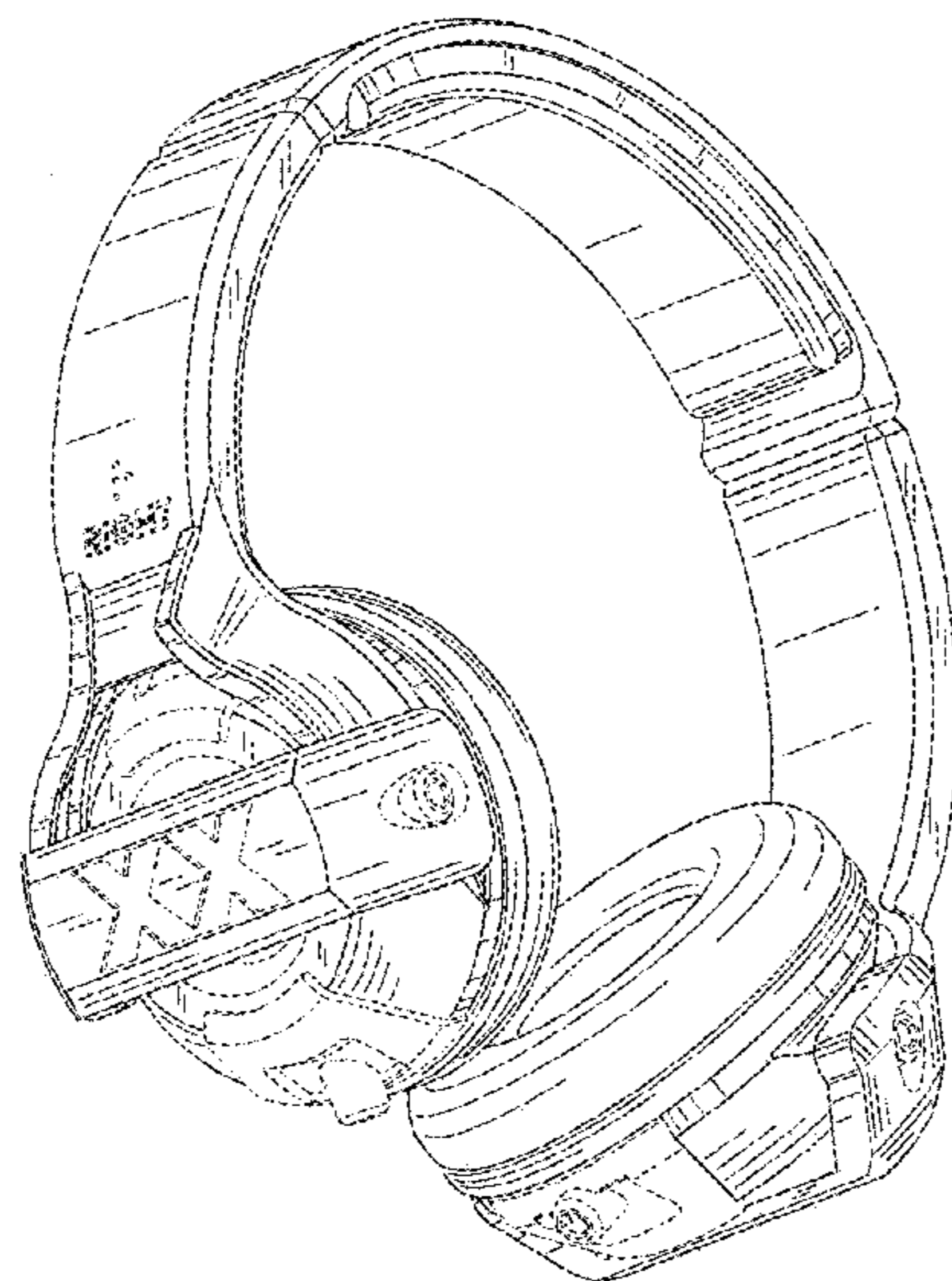


Fig. 1

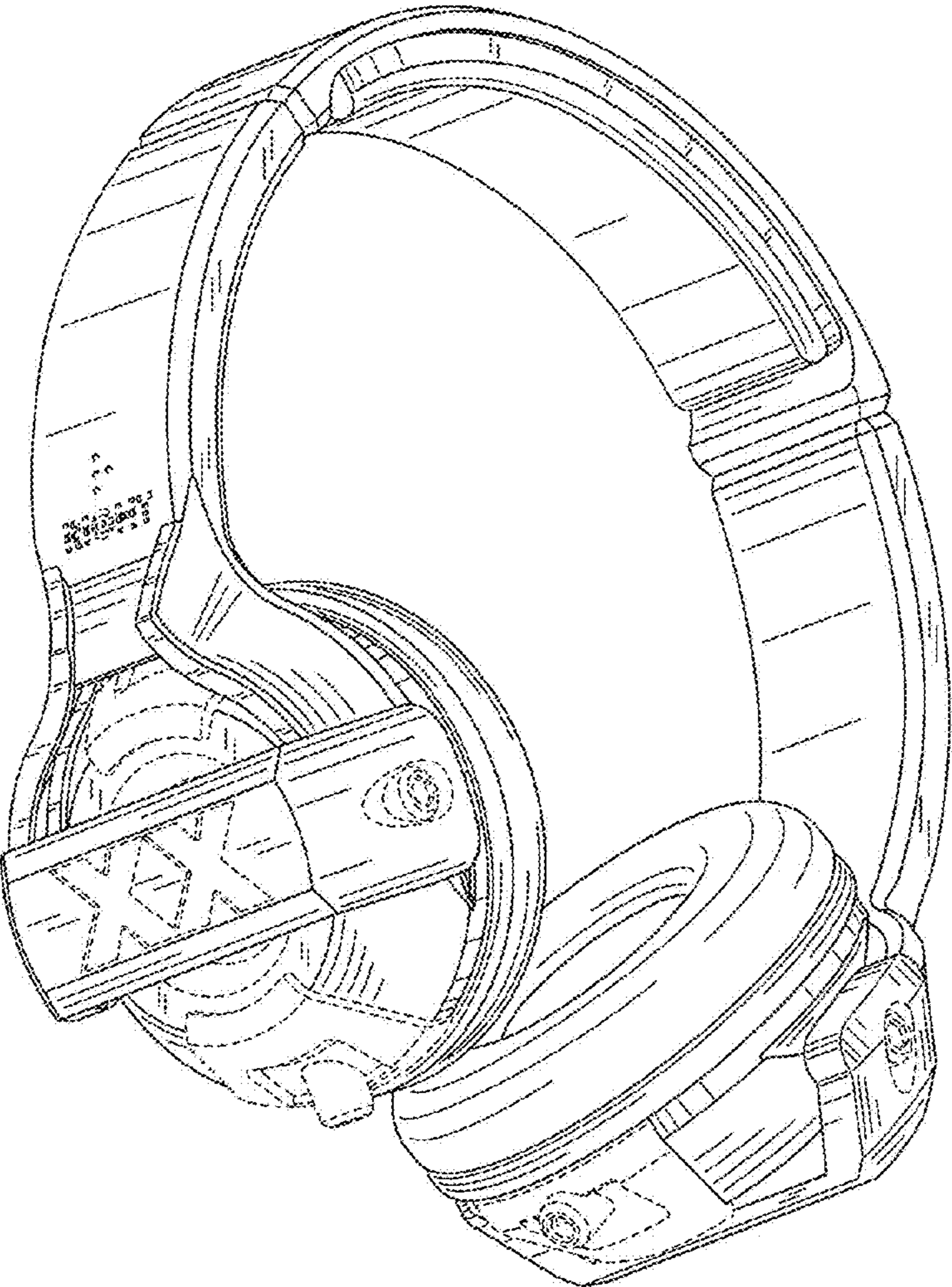


Fig.2



Fig.3

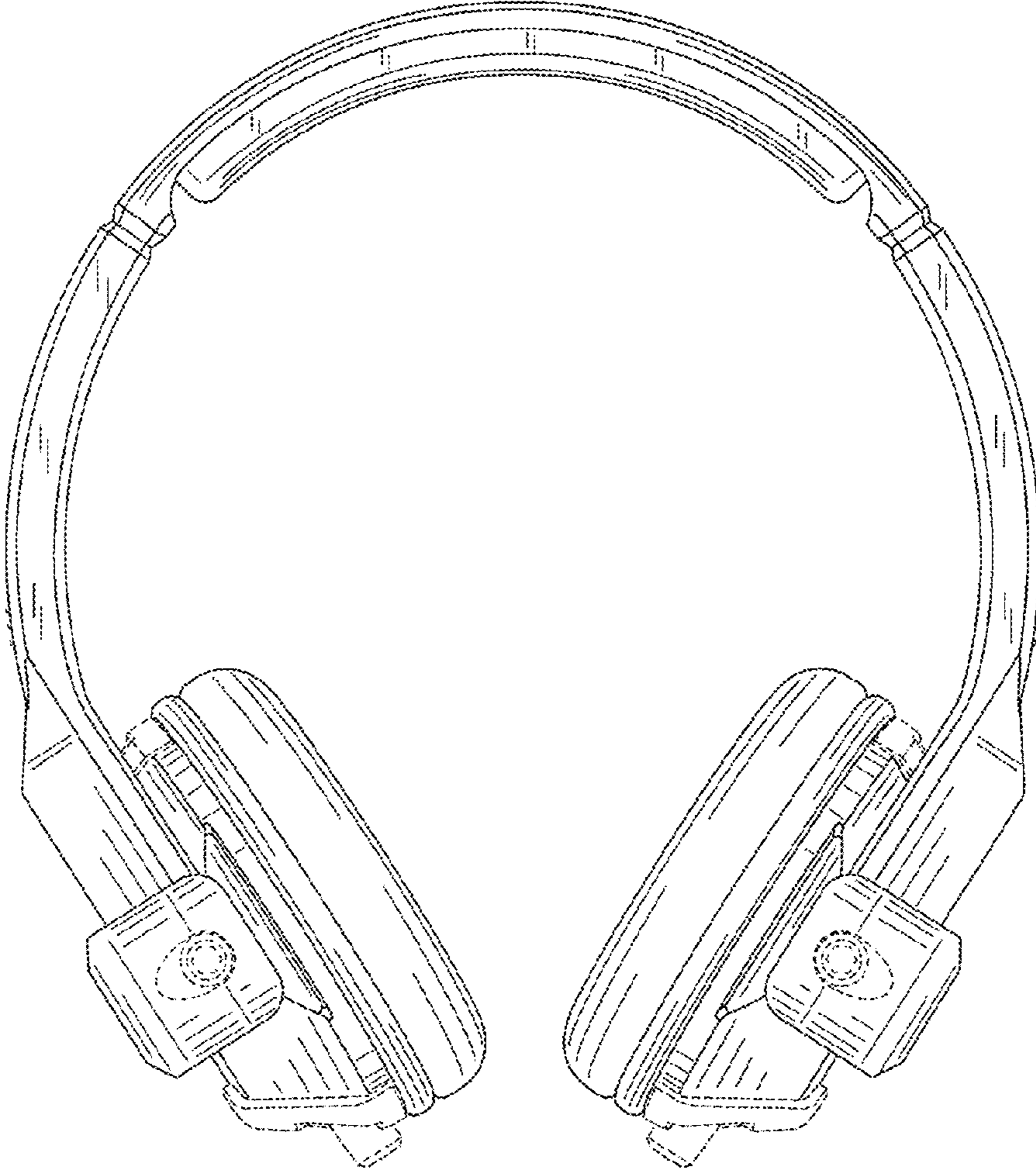


Fig.4

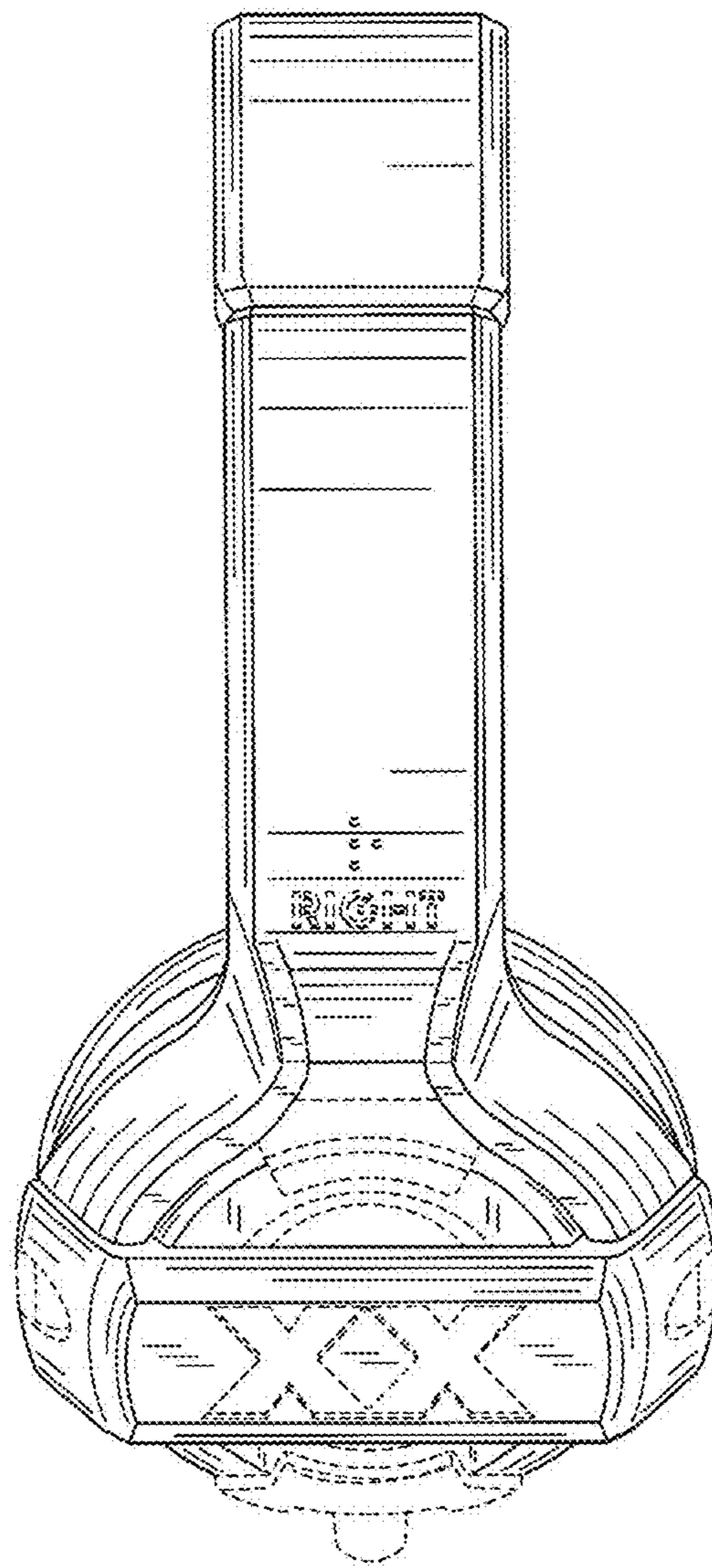


Fig.5

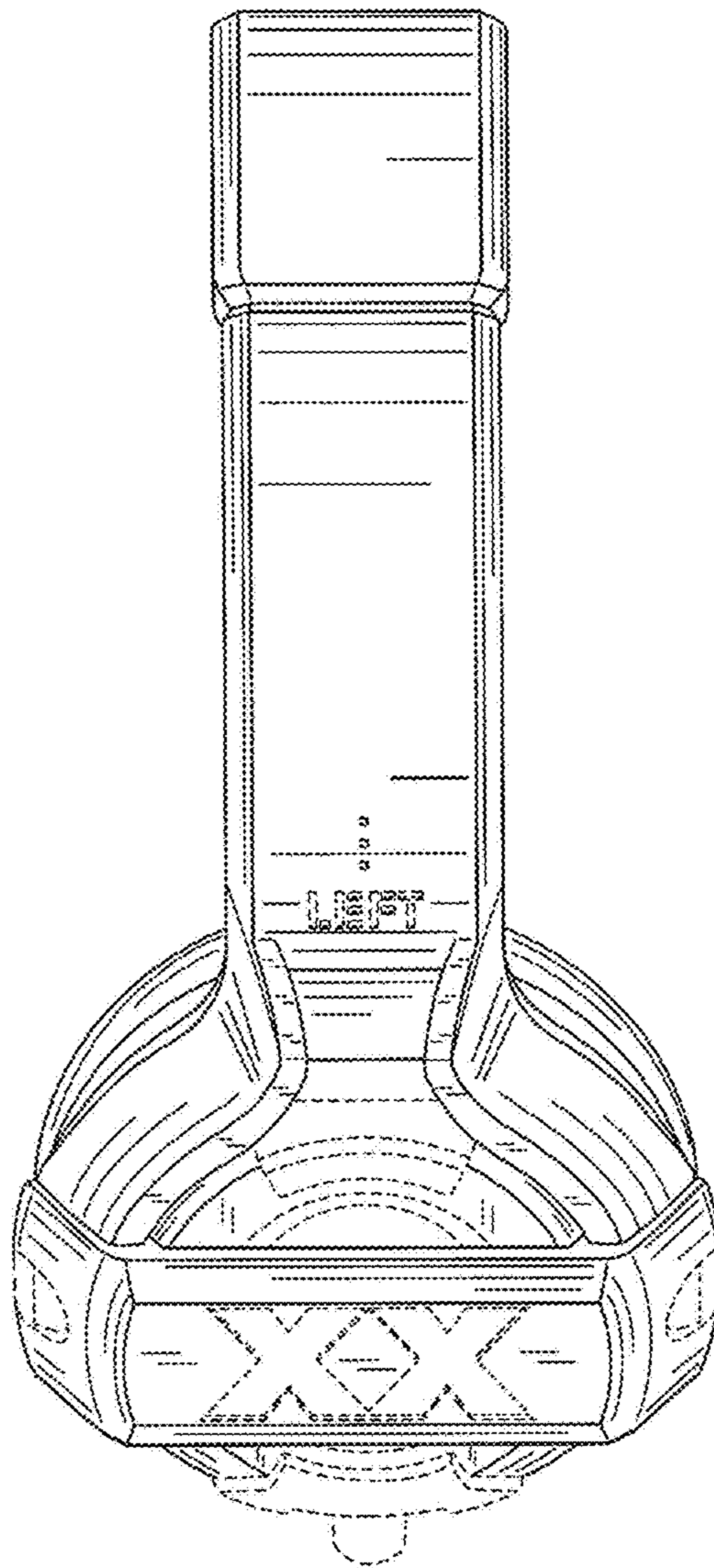


Fig.6

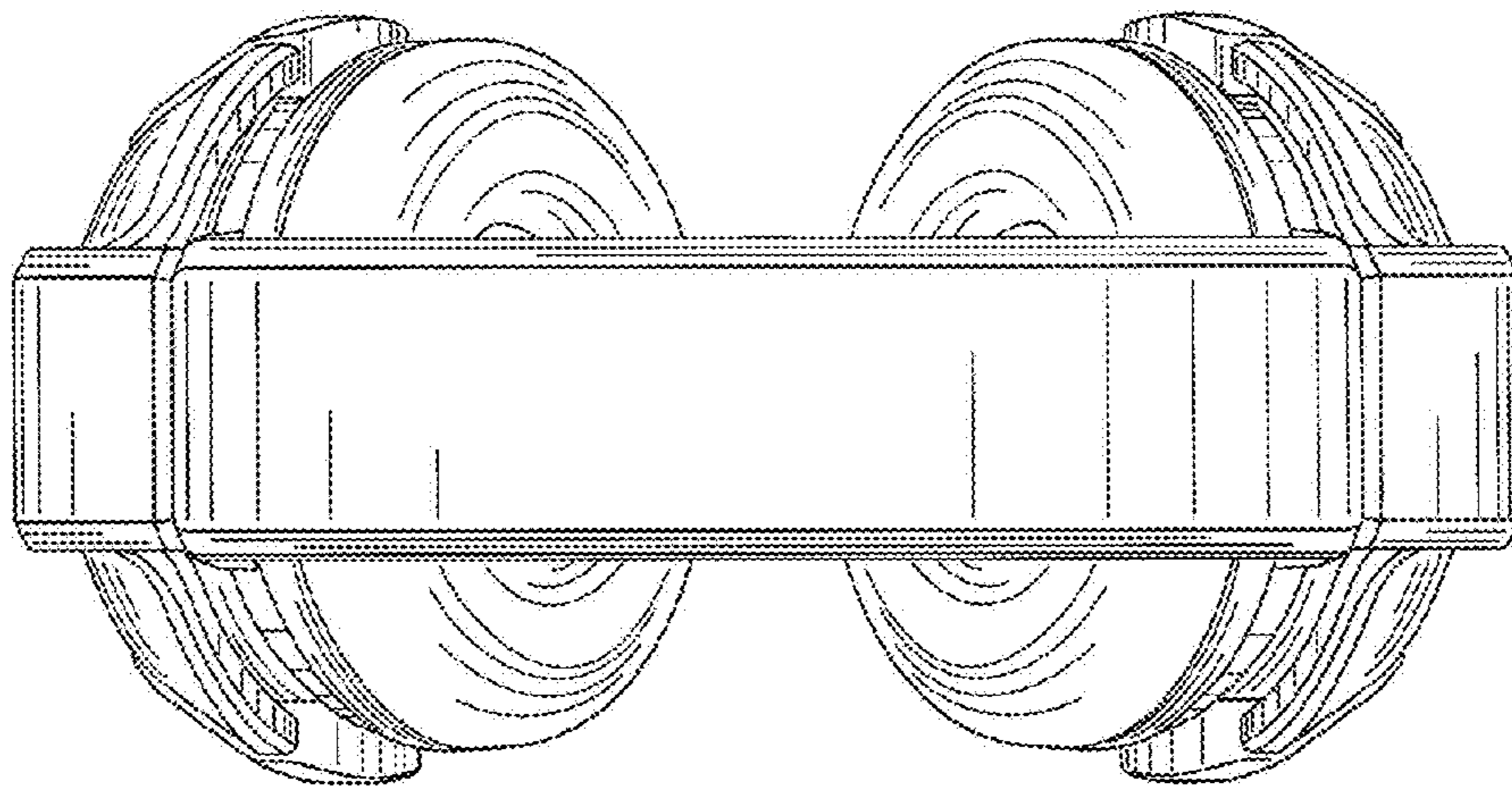


Fig.7

