



US00D698747S

(12) **United States Design Patent**  
**Lee et al.**

(10) **Patent No.:** **US D698,747 S**

(45) **Date of Patent:** **\*\* Feb. 4, 2014**

(54) **HEADPHONES**

(71) Applicant: **Monster, LLC**, Las Vegas, NV (US)

(72) Inventors: **Noel Lee**, Las Vegas, NV (US); **Tim Pryde**, San Francisco, CA (US); **Kendrew Lee**, Tsing Yi (HK); **Minki Bang**, Daly City, CA (US)

(73) Assignee: **Monster, LLC**, Las Vegas, NV (US)

(\*\*) Term: **14 Years**

(21) Appl. No.: **29/441,223**

(22) Filed: **Jan. 2, 2013**

(51) **LOC (10) Cl.** ..... **14-01**

(52) **U.S. Cl.**

USPC ..... **D14/205**

(58) **Field of Classification Search**

USPC ..... D14/205, 223; D29/112; 2/209;  
181/129, 130, 135; 379/430, 431;  
381/380, 381; 455/90.3, 575.1

See application file for complete search history.

(56) **References Cited**

**U.S. PATENT DOCUMENTS**

D286,632 S	*	11/1986	Teunis	.....	D14/205
D313,092 S	*	12/1990	Nilsson	.....	D29/112
D333,137 S	*	2/1993	Burke	.....	D14/206
D351,172 S	*	10/1994	Nakamura et al.	.....	D14/205

5,793,878 A	*	8/1998	Chang	.....	381/370
D430,140 S	*	8/2000	Roman	.....	D14/205
D484,485 S	*	12/2003	Matsuoka	.....	D14/205
6,678,897 B2	*	1/2004	Lindgren	.....	2/209
6,724,906 B2	*	4/2004	Naksen et al.	.....	381/379
D510,335 S	*	10/2005	Suzuki	.....	D14/205
D534,155 S	*	12/2006	Obata	.....	D14/205
7,580,539 B2	*	8/2009	Tachikawa	.....	381/374
D634,732 S	*	3/2011	Kondo et al.	.....	D14/205
D663,717 S	*	7/2012	Hutchieson	.....	D14/206
D676,026 S	*	2/2013	Lee et al.	.....	D14/223

\* cited by examiner

*Primary Examiner* — Paula Greene

(74) *Attorney, Agent, or Firm* — Sentinel IP; John Nielsen

(57) **CLAIM**

The ornamental design for headphones, as shown and described.

**DESCRIPTION**

FIG. 1 is a perspective view of headphones, showing our design;

FIG. 2 is front view thereof;

FIG. 3 is a rear view thereof;

FIG. 4 is a side view thereof;

FIG. 5 is an opposing side view thereof;

FIG. 6 is a top view thereof; and,

FIG. 7 is a bottom view thereof.

The broken lines showing the environment are for illustrative purposes only and form no part of the claimed design.

**1 Claim, 5 Drawing Sheets**

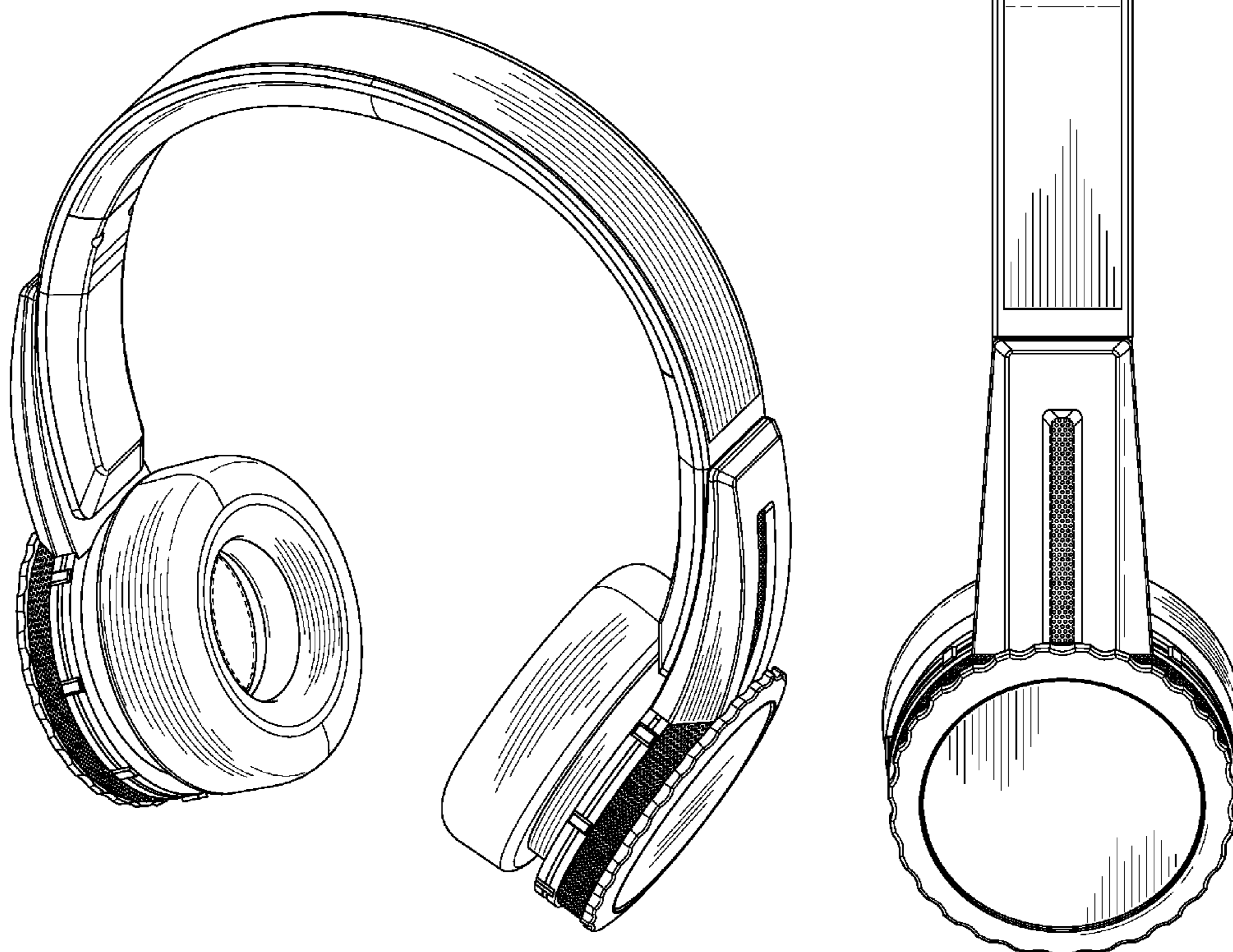




FIG. 1



FIG. 2



FIG. 3

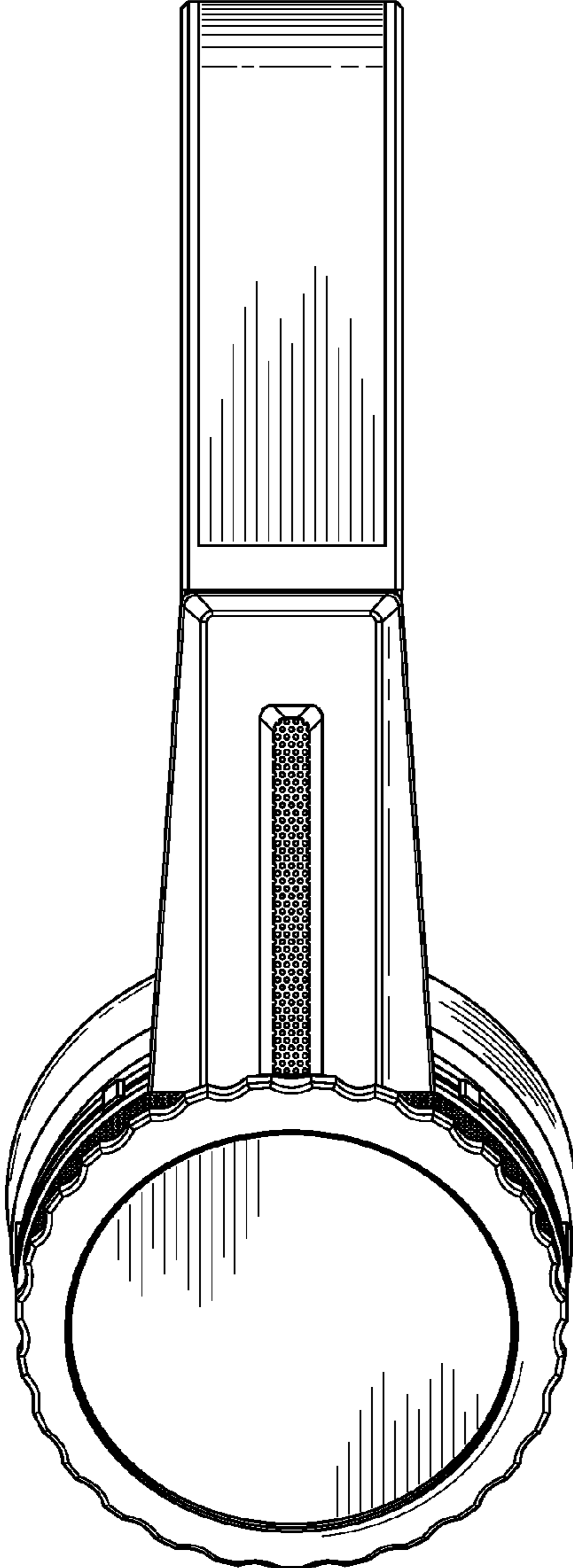


FIG. 4

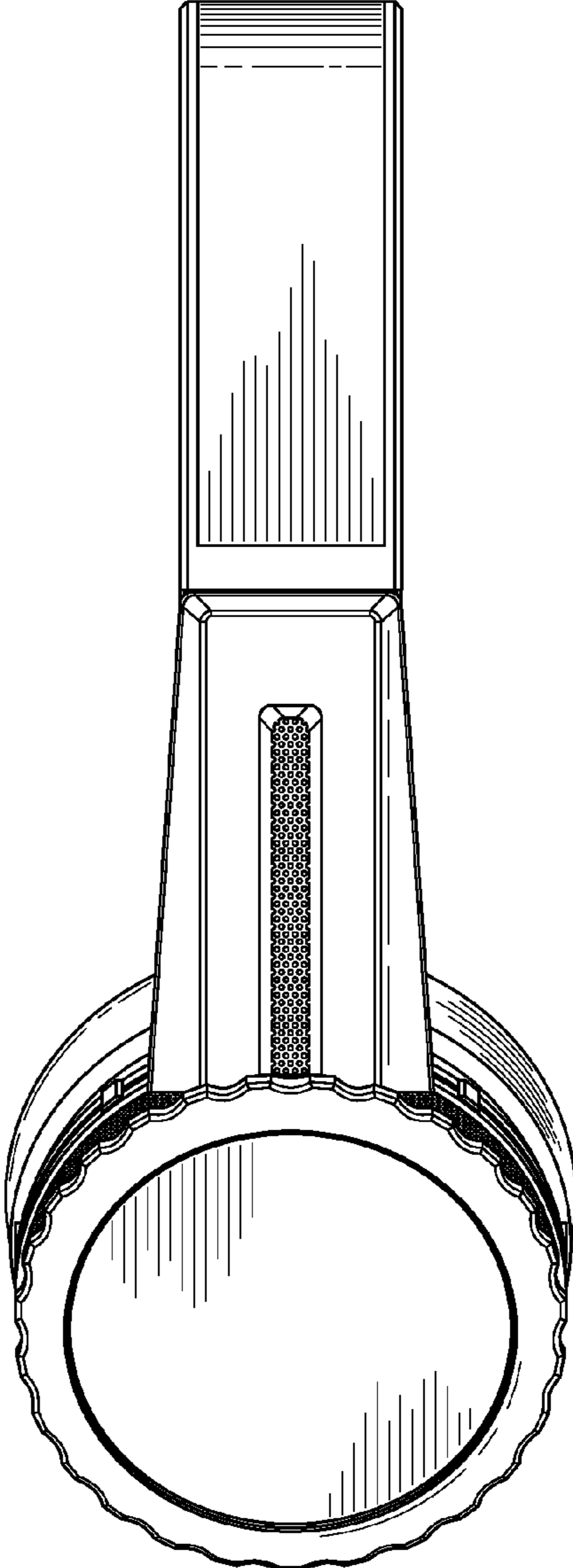


FIG. 5

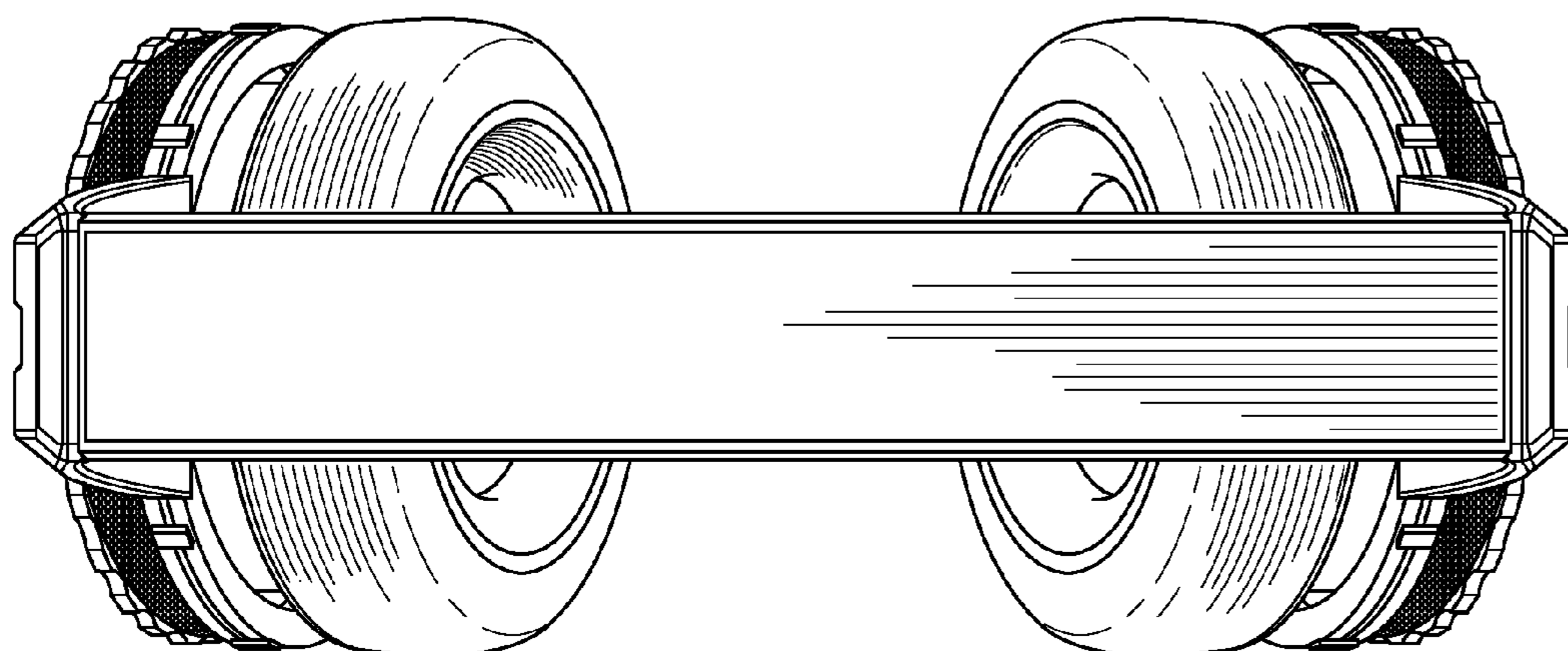


FIG. 6

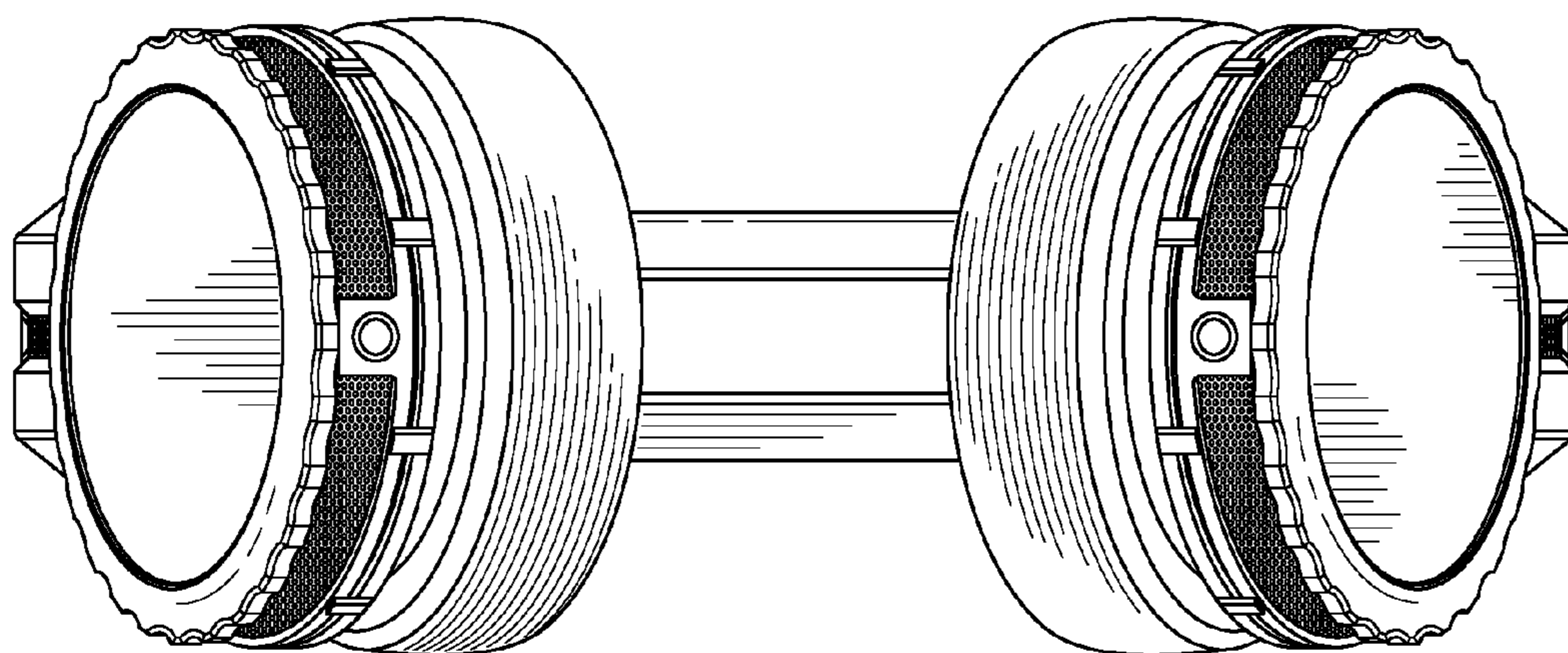


FIG. 7