



US00D698744S

(12) **United States Design Patent**
Kobayashi et al.

(10) **Patent No.:** **US D698,744 S**

(45) **Date of Patent:** **** Feb. 4, 2014**

(54) **LIGHT-EMITTING DIODE**

(71) Applicant: **Kabushiki Kaisha Toshiba**, Tokyo (JP)

(72) Inventors: **Mitsuhiro Kobayashi**, Yokohama (JP);
Kazuhiro Tamura, Kitakyusyu (JP);
Tetsuro Komatsu, Kitakyusyu (JP)

(73) Assignee: **Kabushiki Kaisha Toshiba** (JP)

(**) Term: **14 Years**

(21) Appl. No.: **29/452,184**

(22) Filed: **Apr. 12, 2013**

(30) **Foreign Application Priority Data**

Oct. 18, 2012 (JP) 2012-025309
Oct. 18, 2012 (JP) 2012-025310

(51) **LOC (10) Cl.** **13-03**

(52) **U.S. Cl.**
USPC **D13/180**

(58) **Field of Classification Search**
USPC D13/180; D26/1; 257/79, 80, 81, 88,
257/89, 95, 98, 99, 100, E33.058; 313/483,
313/498, 500; 362/555, 800
See application file for complete search history.

(56) **References Cited**

U.S. PATENT DOCUMENTS

6,586,721 B2 * 7/2003 Estevez-Garcia 250/221
D486,801 S * 2/2004 Suenaga D13/182
D491,899 S * 6/2004 Yagi D13/180
D505,398 S * 5/2005 Nakashima D13/180
D512,029 S * 11/2005 Kim et al. D13/180
D551,180 S * 9/2007 Song et al. D13/180
D568,261 S * 5/2008 Lee et al. D13/180
D573,113 S * 7/2008 Bando D13/180
D573,114 S * 7/2008 Min et al. D13/180
D580,381 S * 11/2008 Bando D13/180
D592,617 S * 5/2009 Bando D13/180

D598,400 S * 8/2009 Bando D13/180
7,719,024 B2 * 5/2010 Bando 257/99
2004/0256706 A1 * 12/2004 Nakashima 257/678

FOREIGN PATENT DOCUMENTS

JP 1343730 11/2008
JP 1344180 11/2008
JP 1351098 2/2009
JP 1405882 1/2011
JP 1407079 2/2011
JP 1408197 2/2011
JP 1426275 10/2011

* cited by examiner

Primary Examiner — Selina Sikder

(74) *Attorney, Agent, or Firm* — Banner & Witcoff, Ltd.

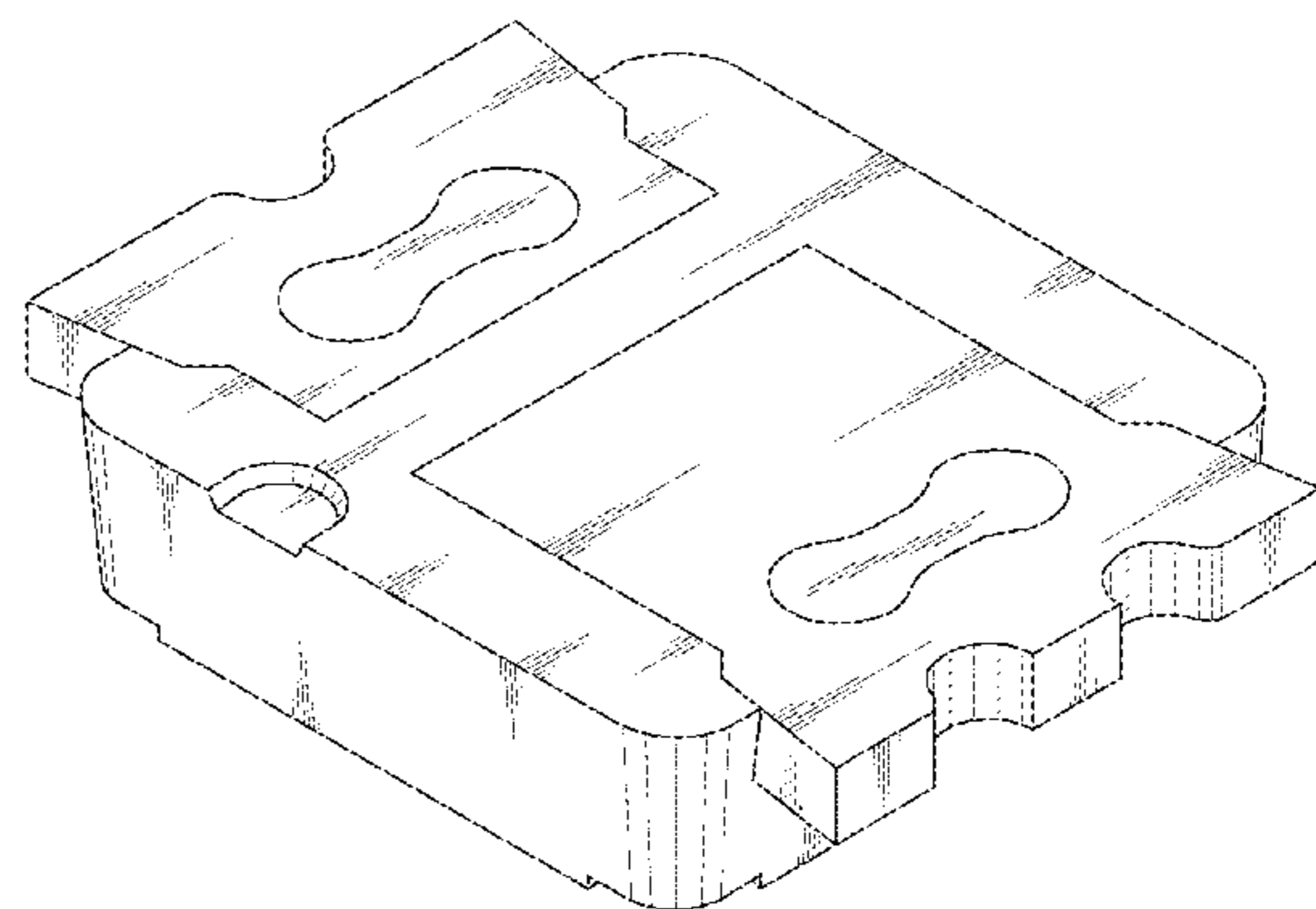
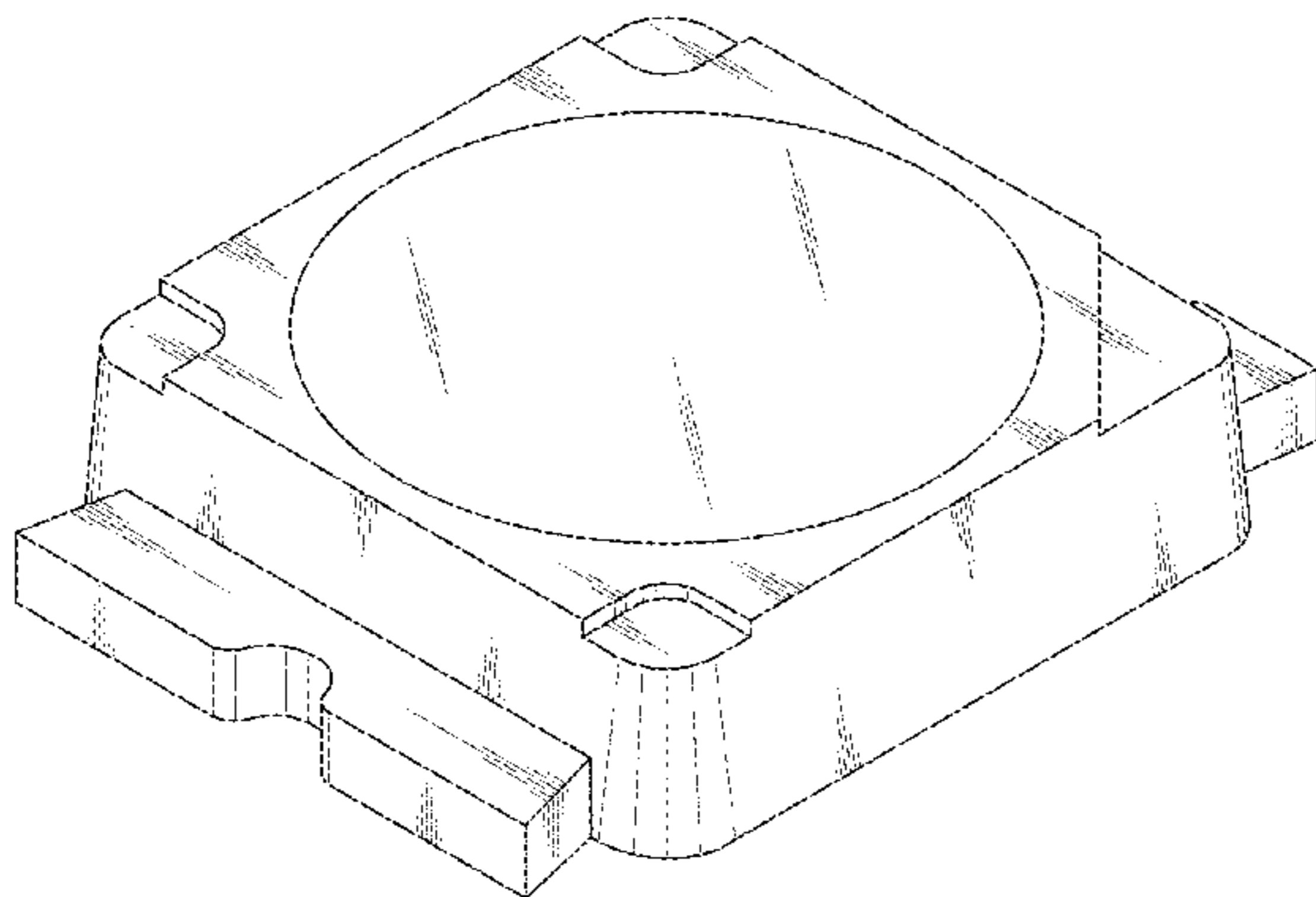
(57) **CLAIM**

The ornamental design for a light-emitting diode, as shown and described.

DESCRIPTION

FIG. 1 is a front perspective view of a light-emitting diode, showing our new design;
FIG. 2 is a rear perspective view thereof;
FIG. 3 is a front elevational view thereof;
FIG. 4 is a rear elevational view thereof;
FIG. 5 is a top plan view thereof;
FIG. 6 is a bottom plan view thereof;
FIG. 7 is a right side elevational view thereof;
FIG. 8 is a left side elevational view thereof;
FIG. 9 is a front perspective view of a second embodiment of a light-emitting diode;
FIG. 10 is a rear perspective view thereof;
FIG. 11 is a front elevational view thereof;
FIG. 12 is a rear elevational view thereof;
FIG. 13 is a top plan view thereof;
FIG. 14 is a bottom plan view thereof;
FIG. 15 is a right side elevational view thereof; and,
FIG. 16 is a left side elevational view thereof.

1 Claim, 12 Drawing Sheets



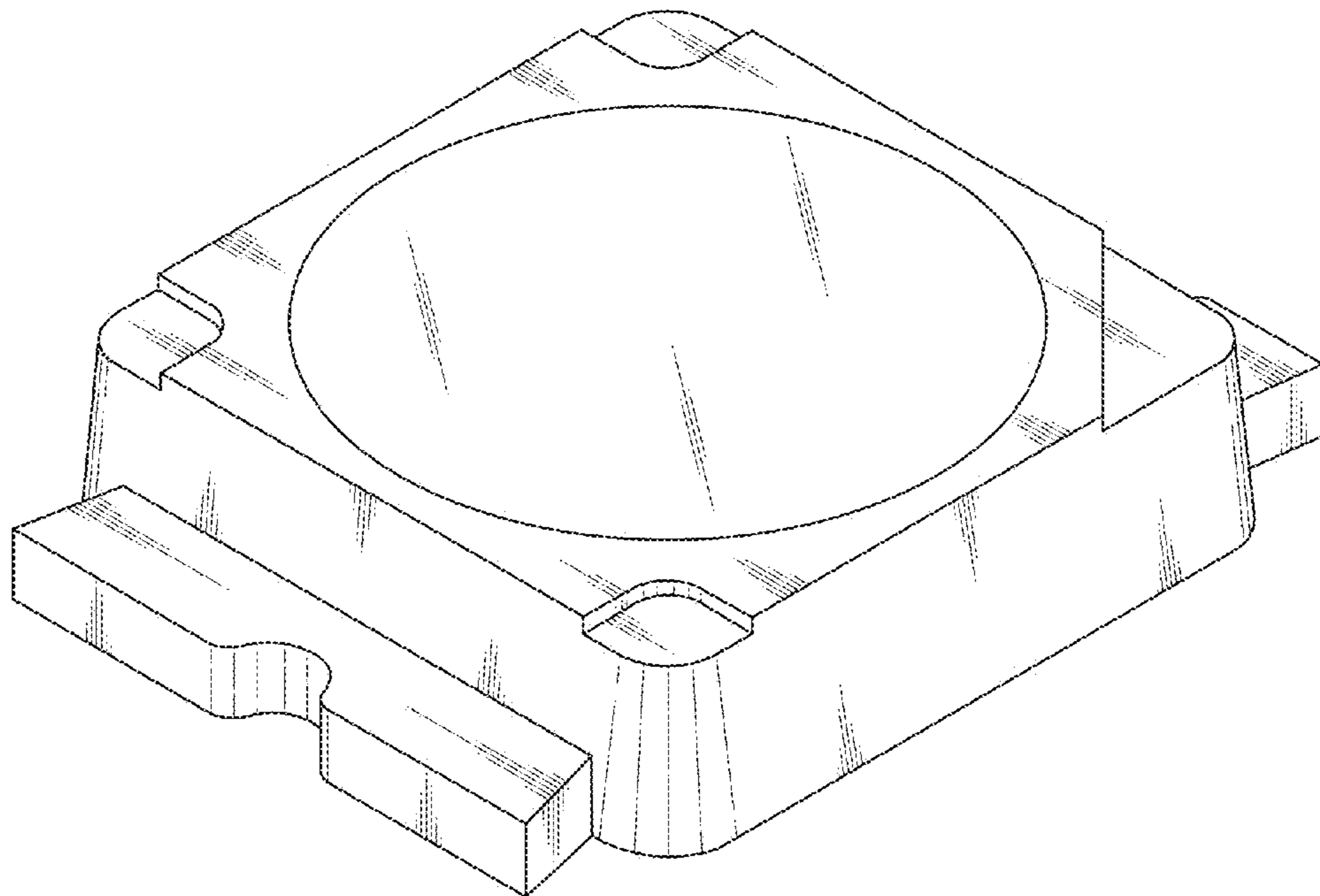


FIG. 1

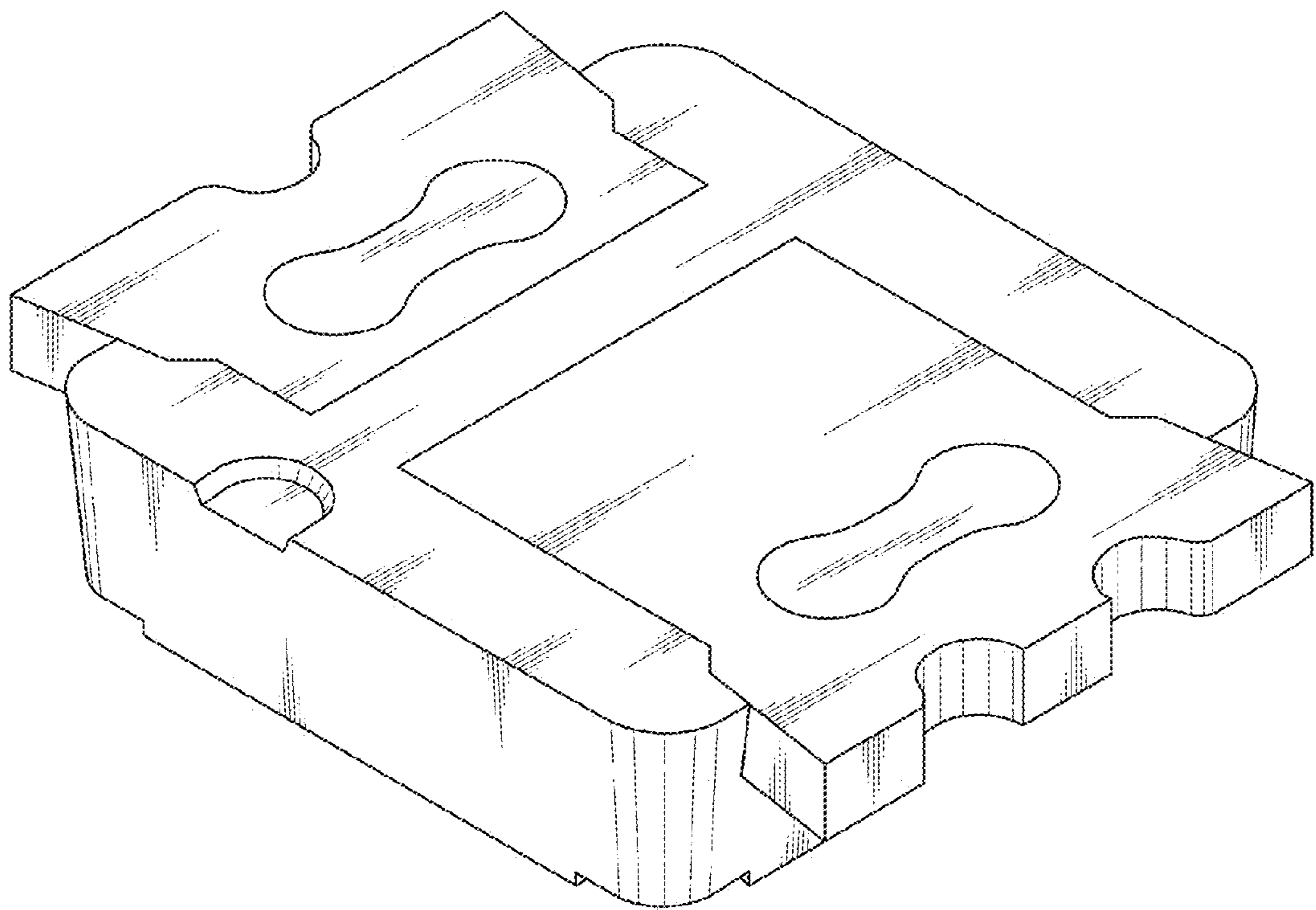


FIG. 2

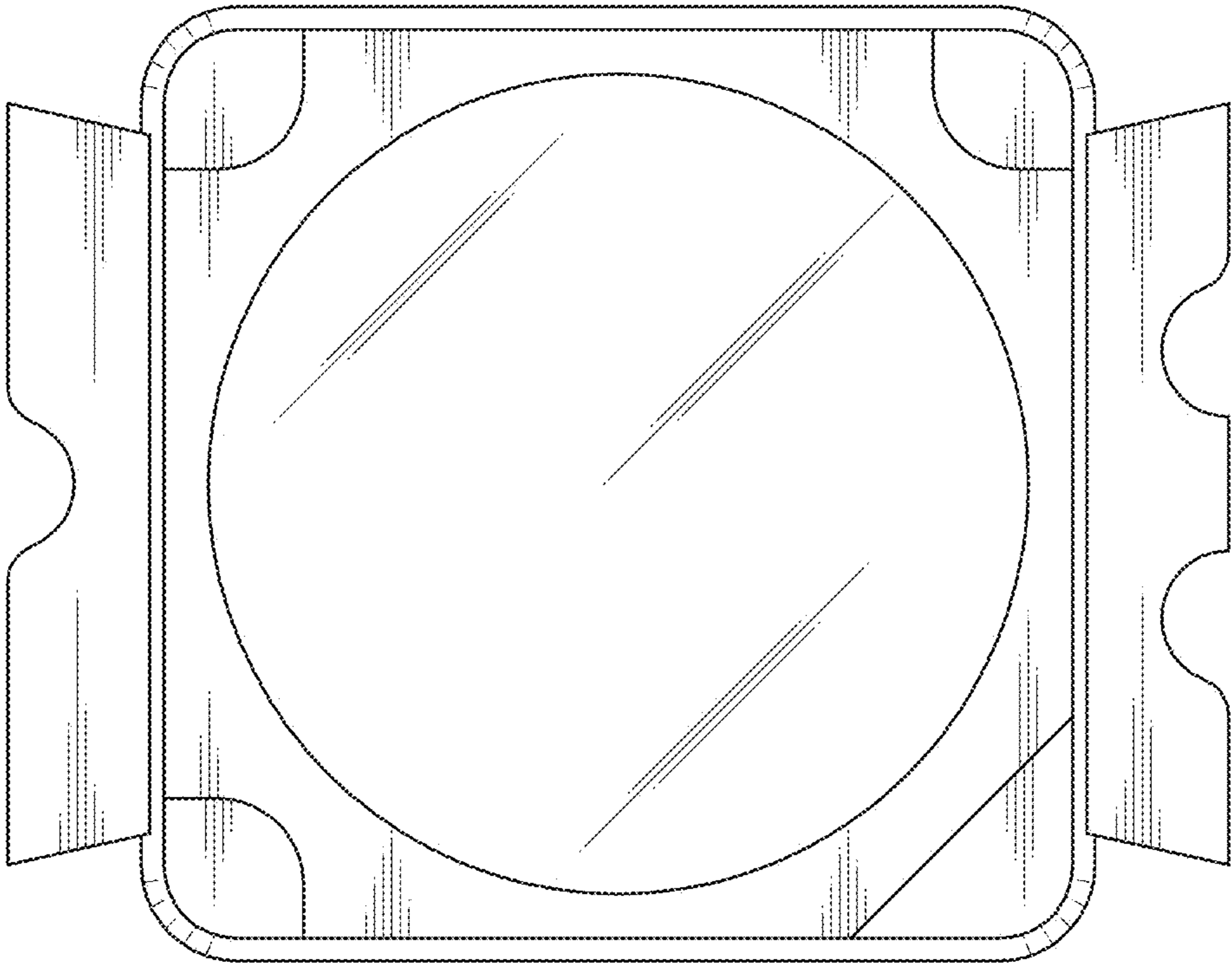


FIG. 3

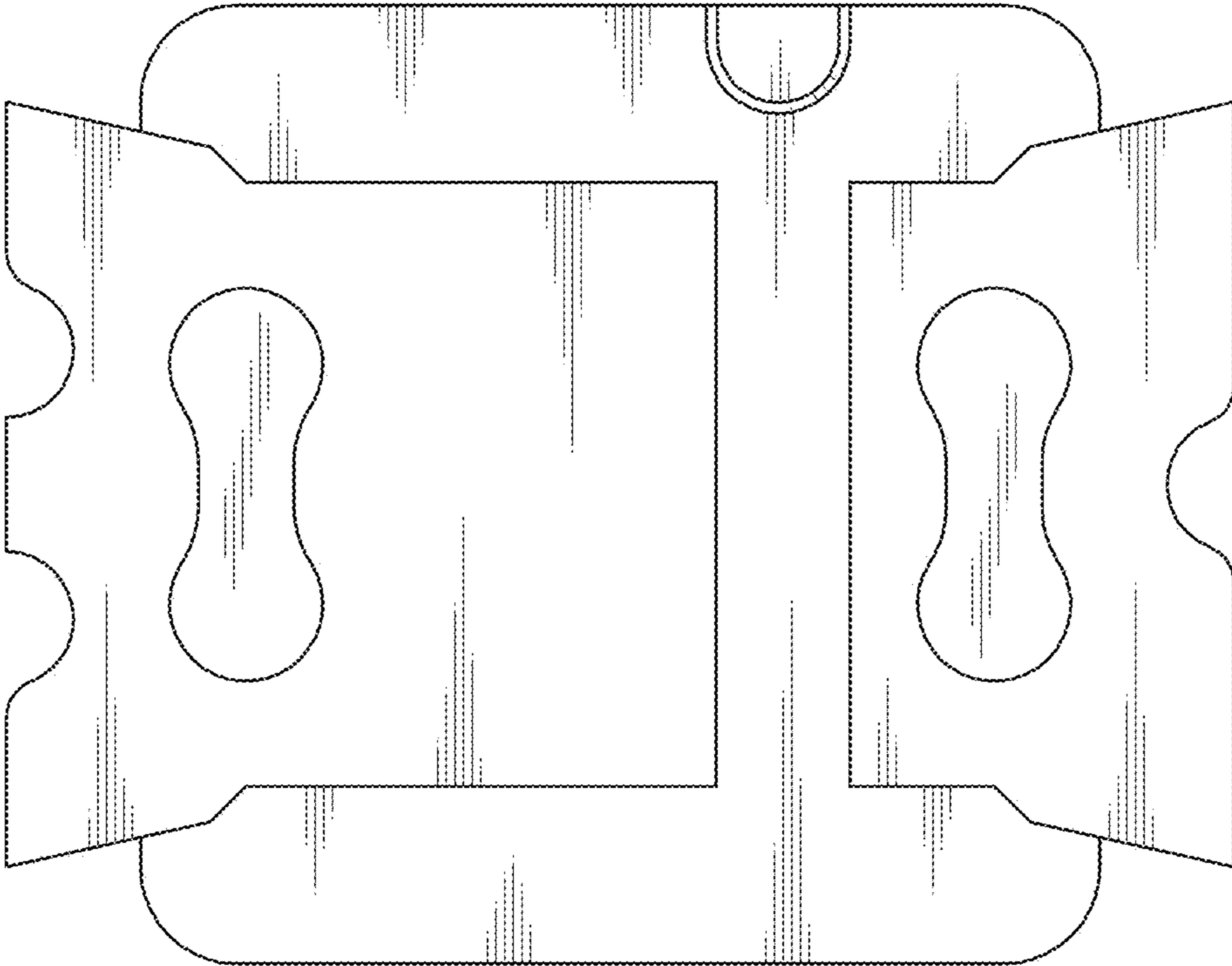


FIG. 4

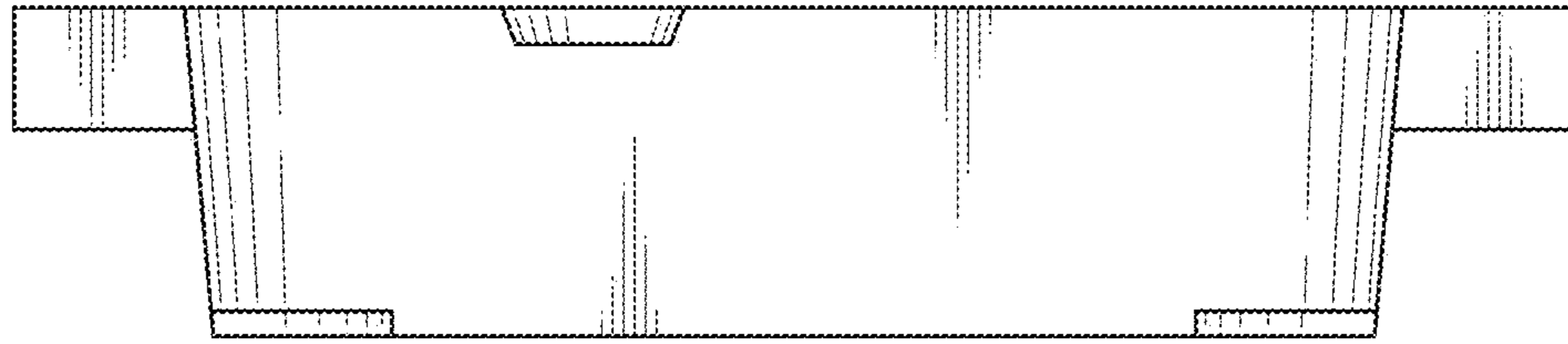


FIG. 5

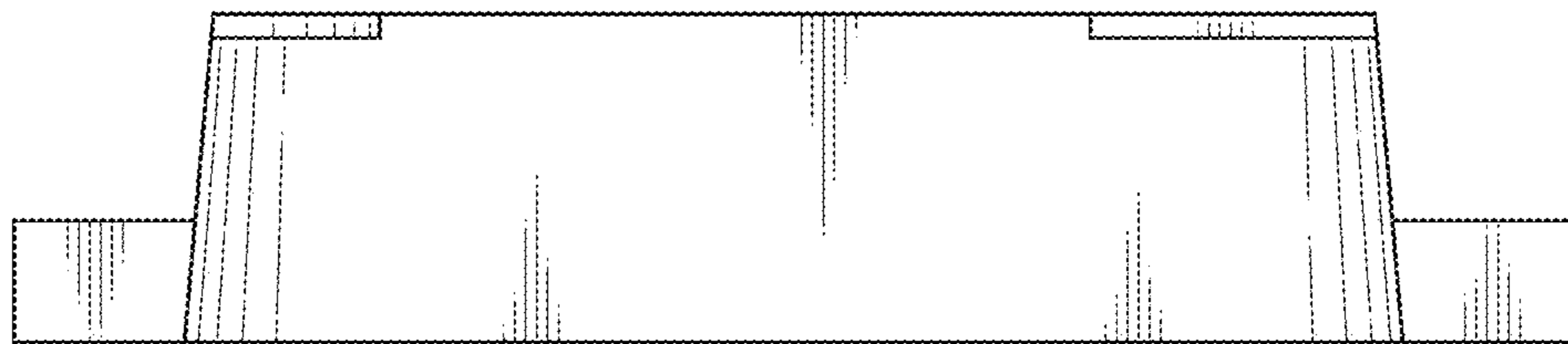


FIG. 6

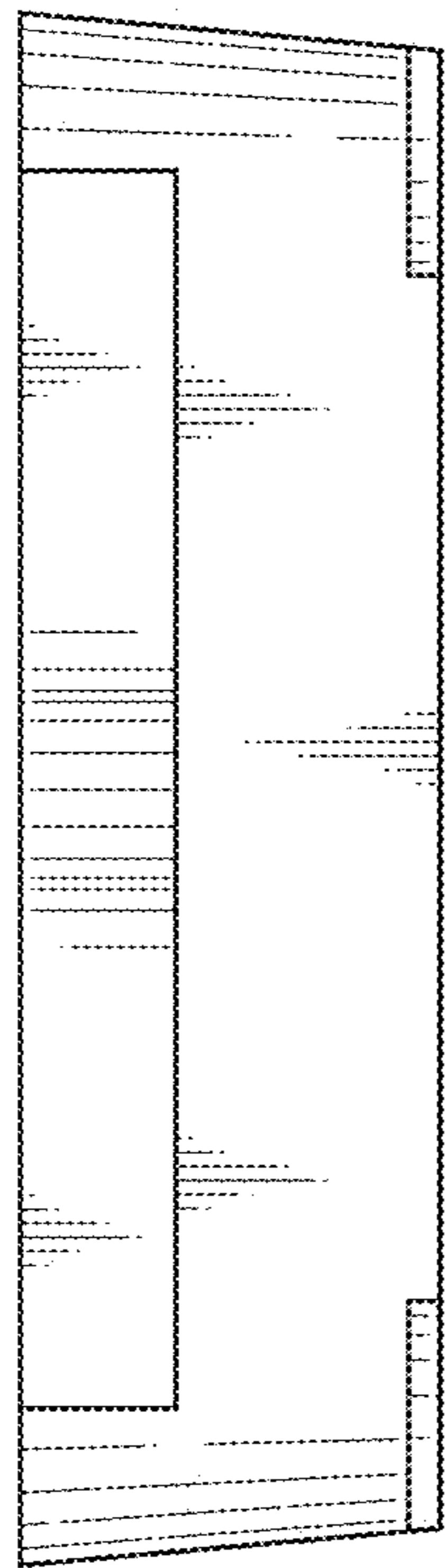


FIG. 8

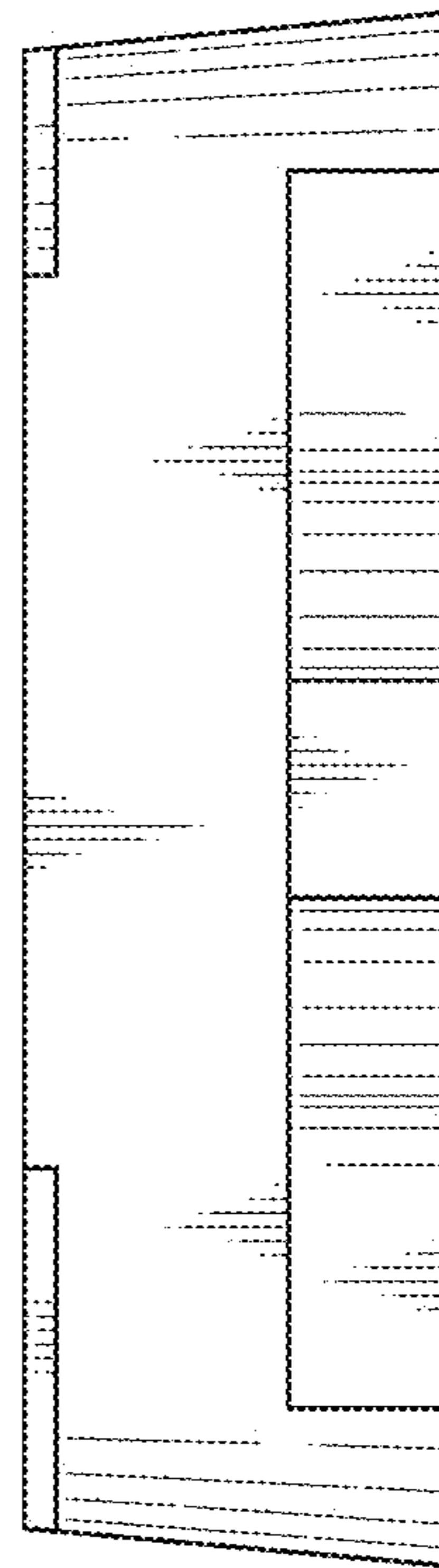


FIG. 7

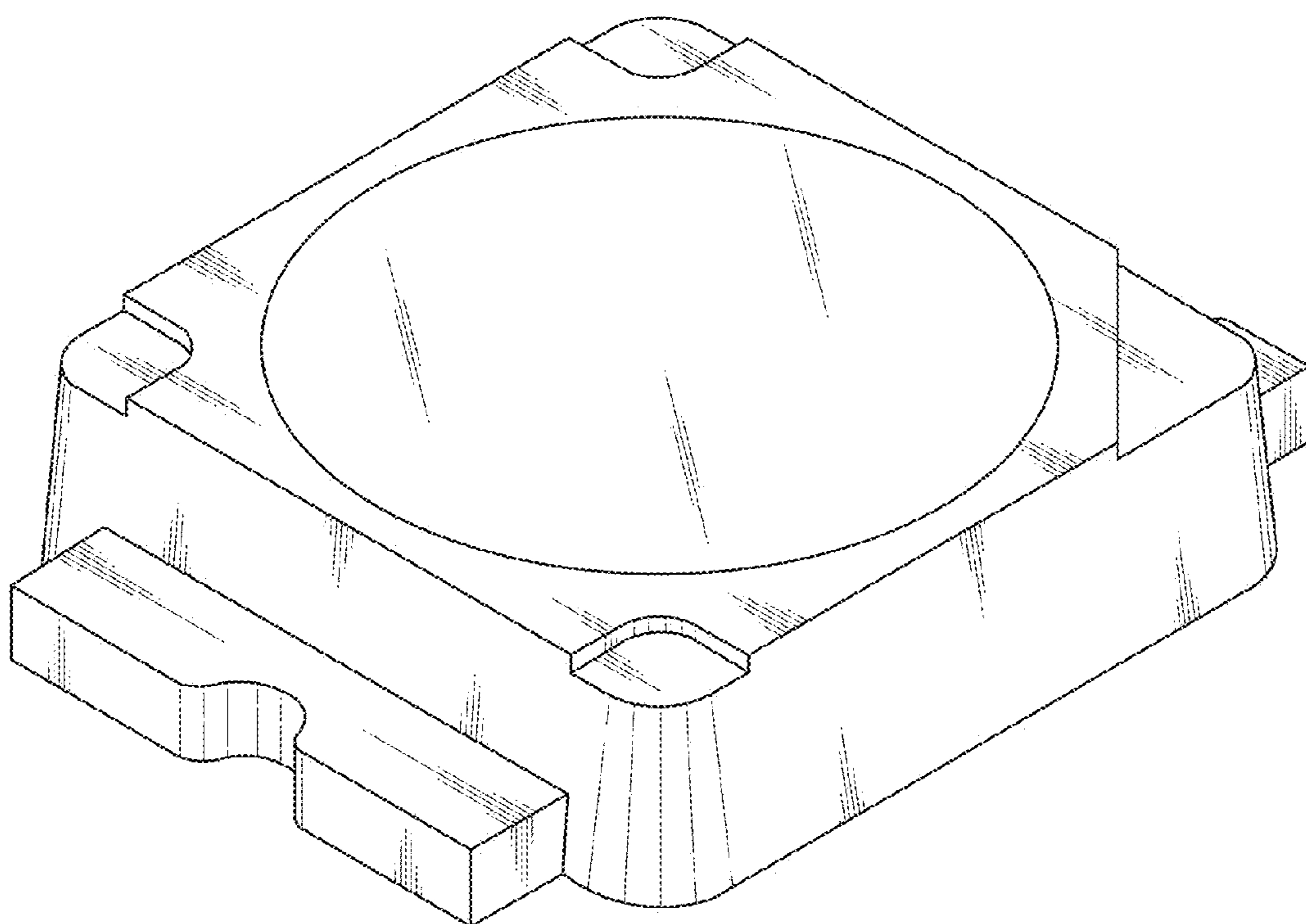


FIG. 9

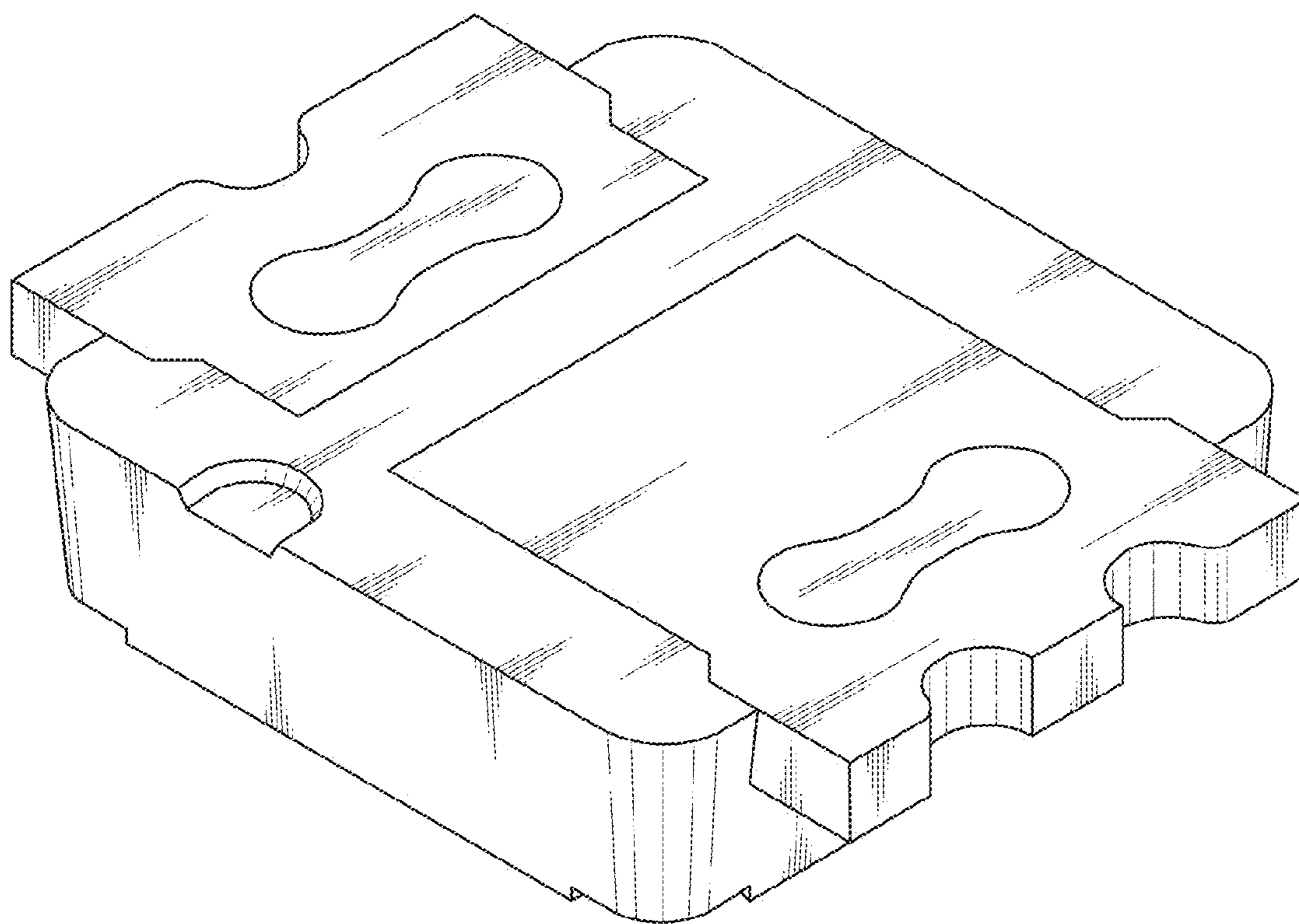


FIG. 10

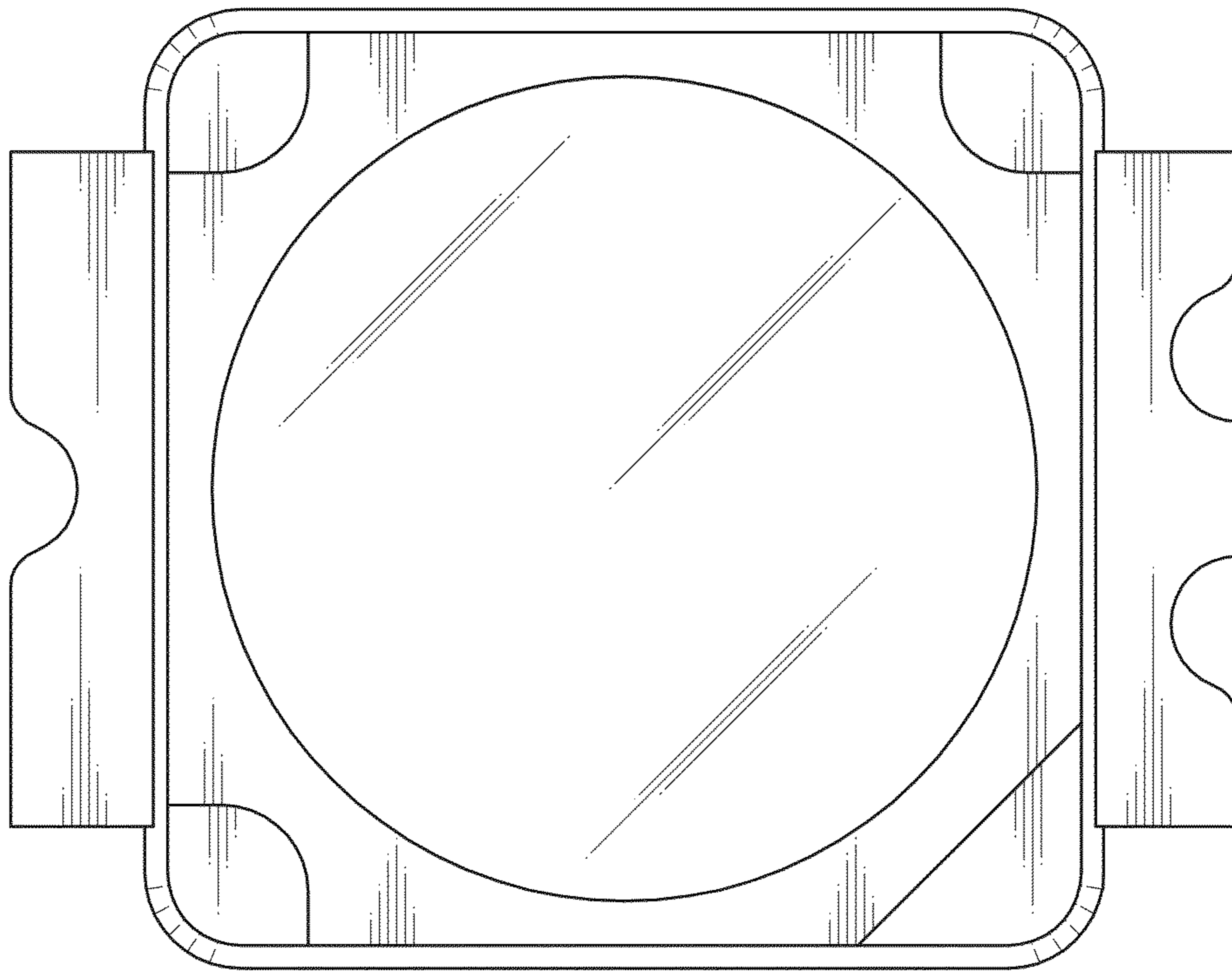


FIG. 11

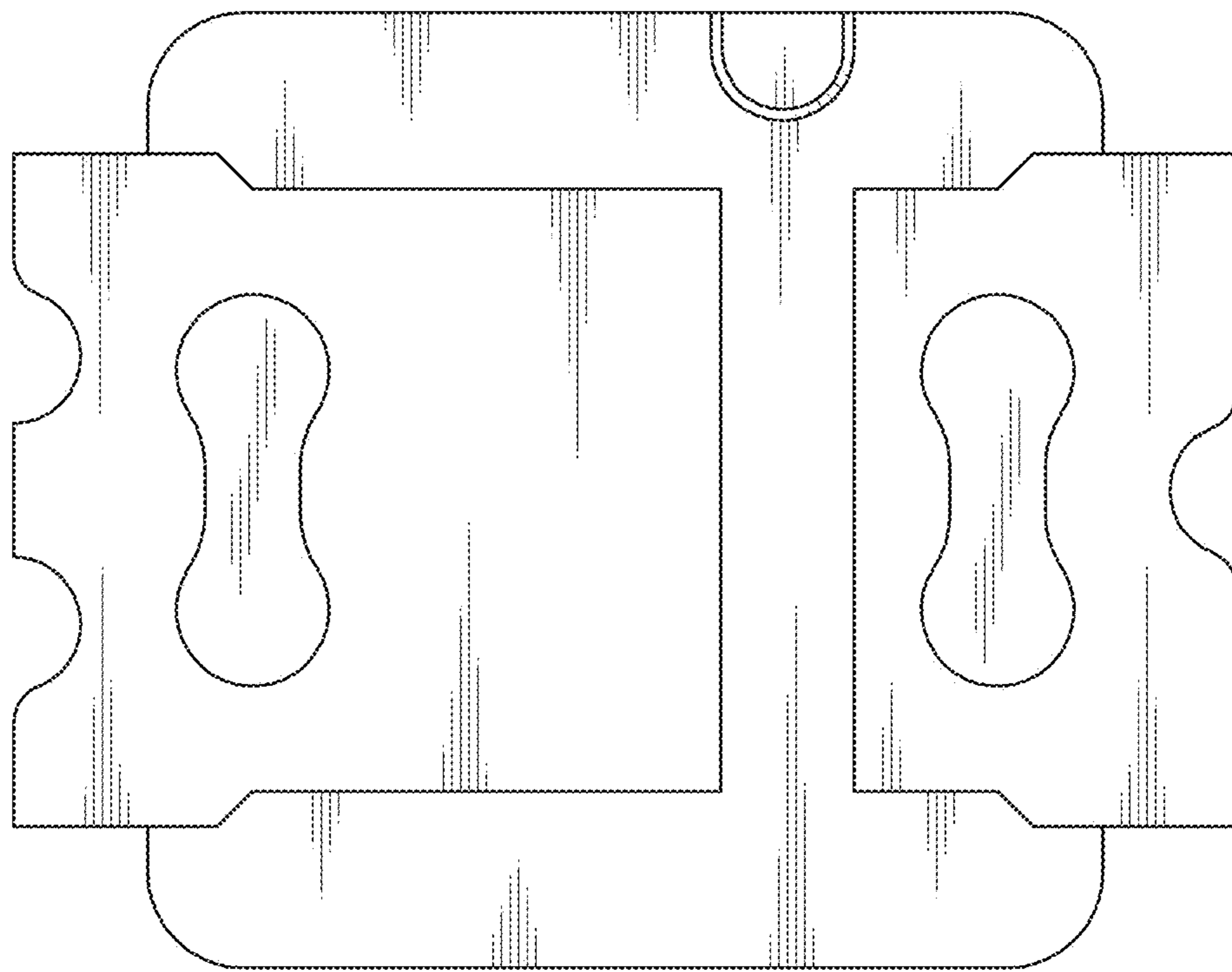


FIG. 12

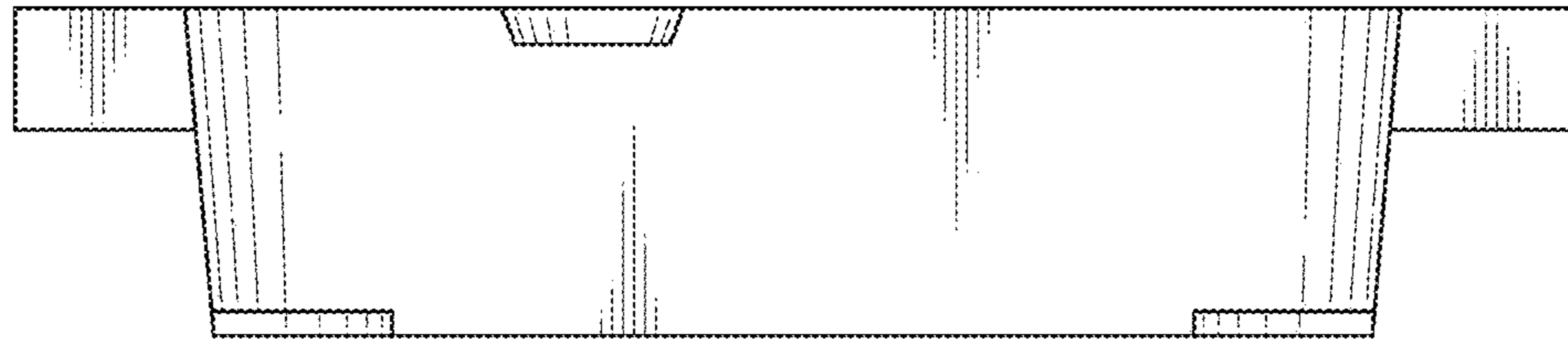


FIG. 13

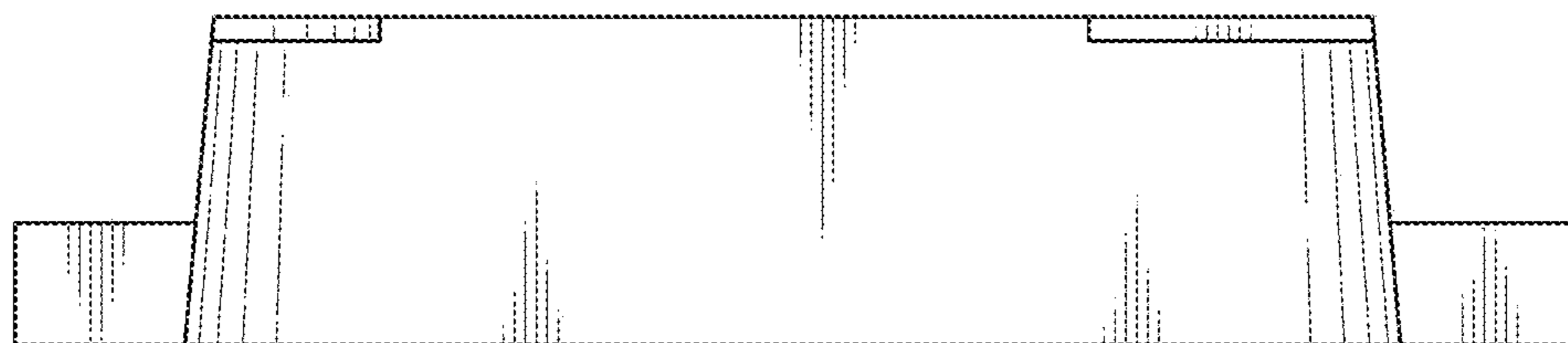


FIG. 14

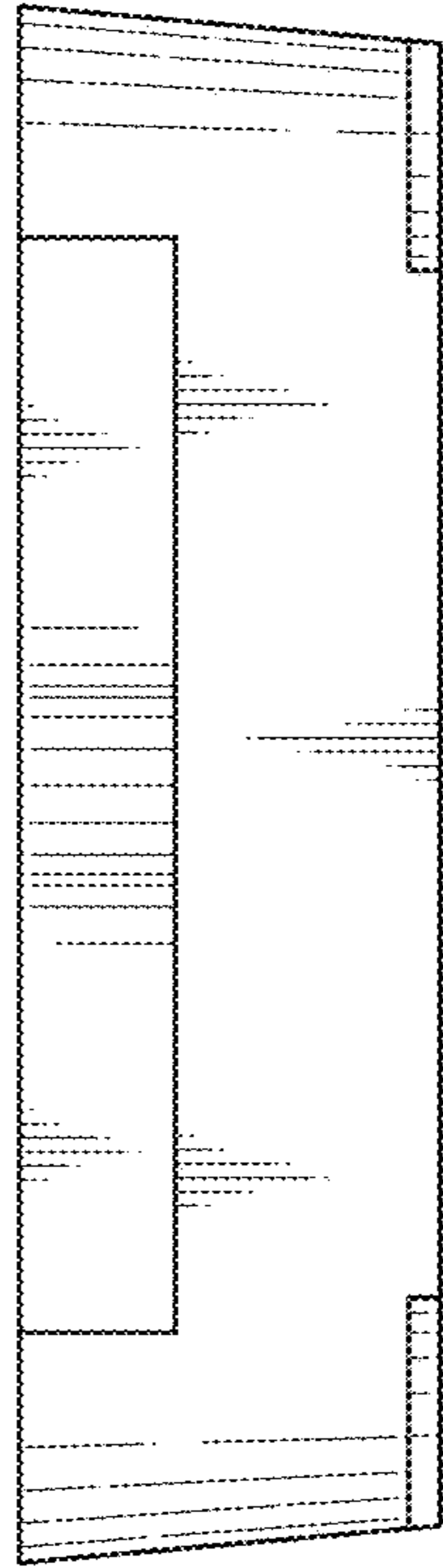


FIG. 16

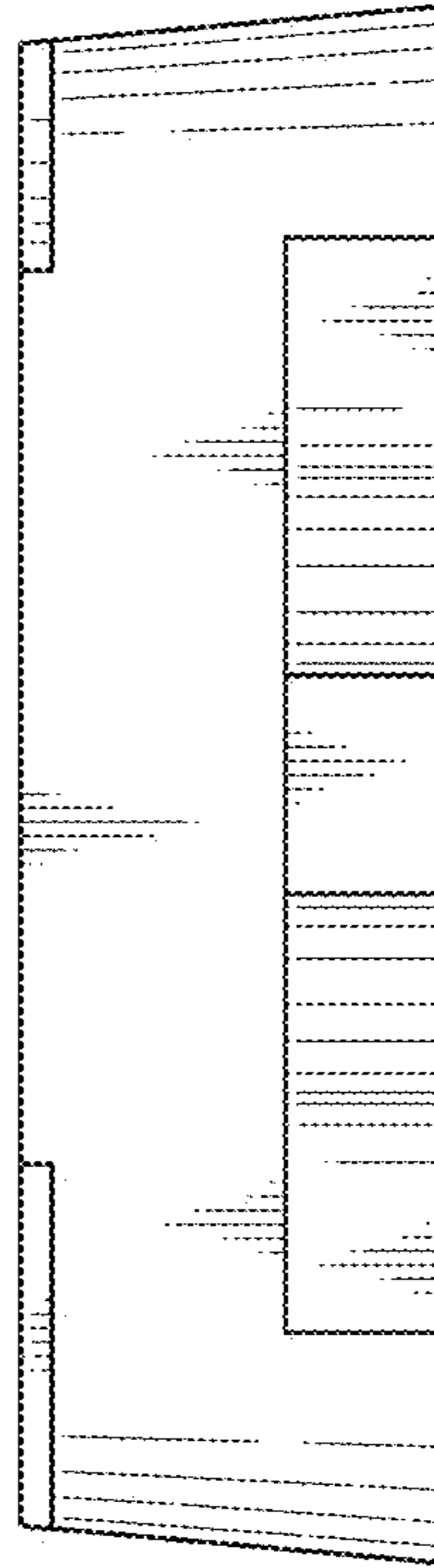


FIG. 15