

US00D698743S

(12) **United States Design Patent**
Hon et al.

(10) **Patent No.:** **US D698,743 S**

(45) **Date of Patent:** **** Feb. 4, 2014**

(54) **LIGHT-EMITTING DIODE**

(56) **References Cited**

U.S. PATENT DOCUMENTS

(71) Applicant: **Epistar Corporation**, Hsinchu (TW)
(72) Inventors: **Schang-Jing Hon**, Hsinchu (TW);
Chao-Hsing Chen, Hsinchu (TW);
Tsun-Kai Ko, Hsinchu (TW); **Chien-Fu Shen**, Hsinchu (TW); **Jia-Kuen Wang**, Hsinchu (TW); **Hung-Che Chen**, Hsinchu (TW)

6,614,056	B1 *	9/2003	Tarsa et al.	257/91
6,844,571	B2 *	1/2005	Krames et al.	257/81
7,795,610	B2 *	9/2010	Kim et al.	257/35
8,188,493	B2 *	5/2012	Li et al.	257/91
D680,085	S *	4/2013	Wu et al.	D13/180
D681,567	S *	5/2013	Wang et al.	D13/180
D684,940	S *	6/2013	Chu et al.	D13/180
D687,396	S *	8/2013	Chen et al.	D13/180
2008/0210972	A1 *	9/2008	Ko et al.	257/99
2008/0230791	A1 *	9/2008	Lin et al.	257/91
2012/0241808	A1 *	9/2012	Akiyama et al.	257/99

(73) Assignee: **Epistar Corporation**, Hsinchu (TW)

* cited by examiner

(**) Term: **14 Years**

Primary Examiner — Selina Sikder

(21) Appl. No.: **29/451,744**

(74) *Attorney, Agent, or Firm* — Muncy, Geissler, Olds & Lowe, PLLC

(22) Filed: **Apr. 8, 2013**

(57) **CLAIM**

The ornamental design for a light-emitting diode, as shown and described.

(30) **Foreign Application Priority Data**

DESCRIPTION

Dec. 7, 2012 (TW) 101307354

(51) **LOC (10) Cl.** **13-03**

(52) **U.S. Cl.**
USPC **D13/180**

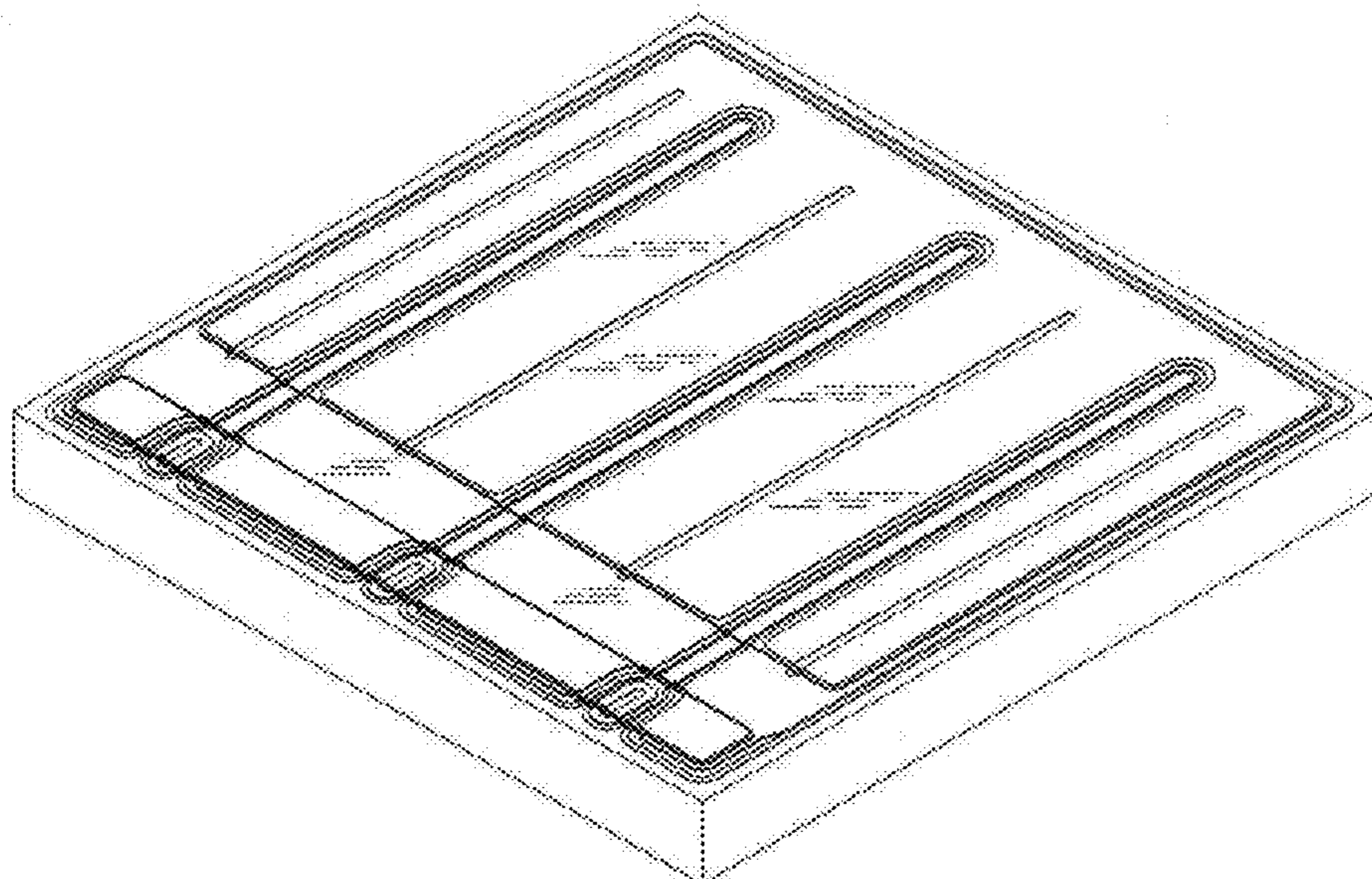
(58) **Field of Classification Search**
USPC D13/180; D26/1; 257/79, 80, 81, 88,
257/89, 98, 99, 100, E33.058; 313/483,
313/498, 500; 362/555, 800

See application file for complete search history.

FIG. 1 is a perspective view of a light-emitting diode showing our new design;

FIG. 2 is another perspective view of the light-emitting diode; FIG. 3 is a front elevational view of the light-emitting diode; FIG. 4 is a rear elevational view of the light-emitting diode; FIG. 5 is a left side view of the light-emitting diode; FIG. 6 is a right side view of the light-emitting diode; FIG. 7 is a top plan view of the light-emitting diode; and, FIG. 8 is a bottom plan view of the light-emitting diode.

1 Claim, 6 Drawing Sheets



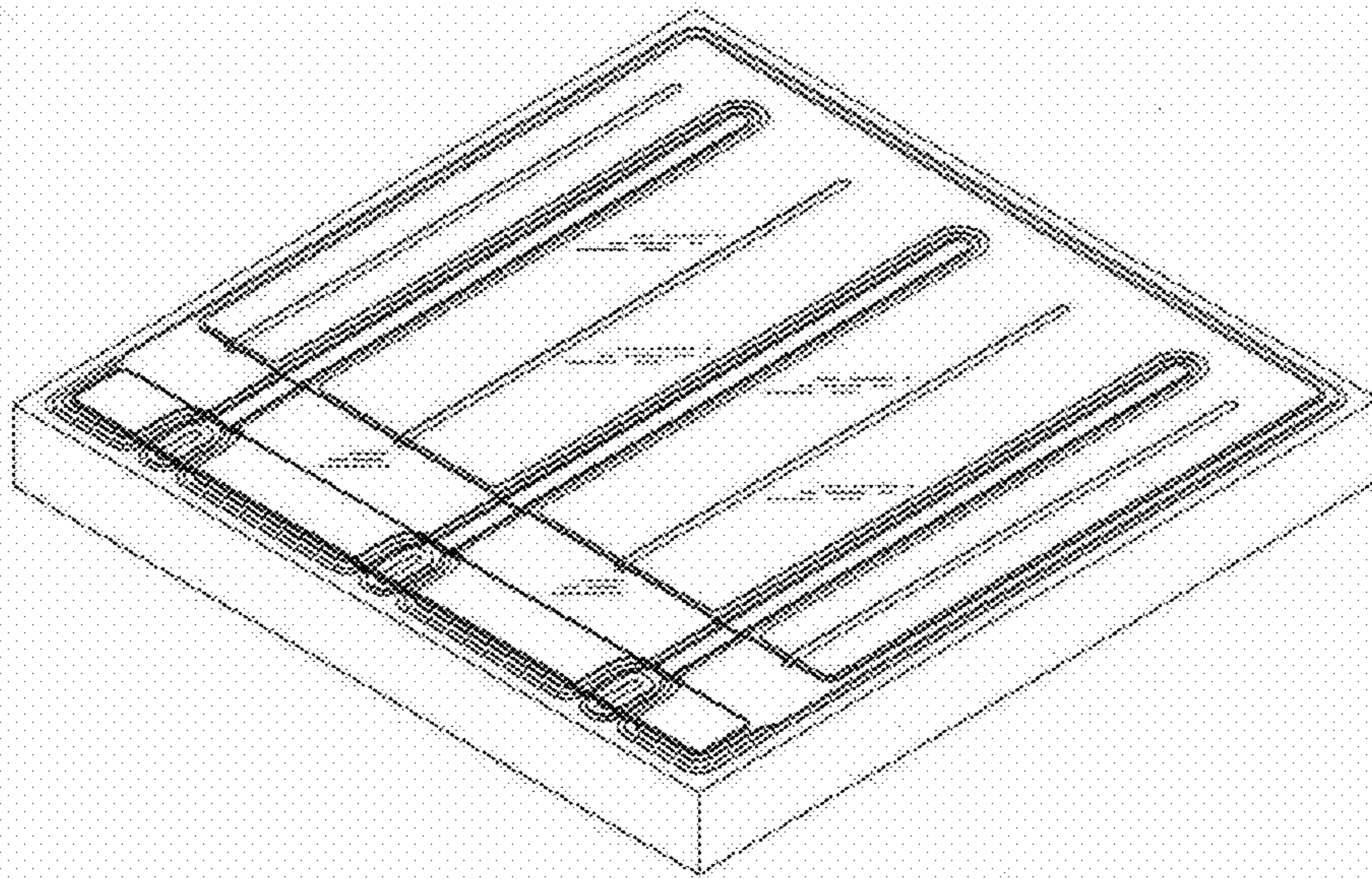


FIG.1

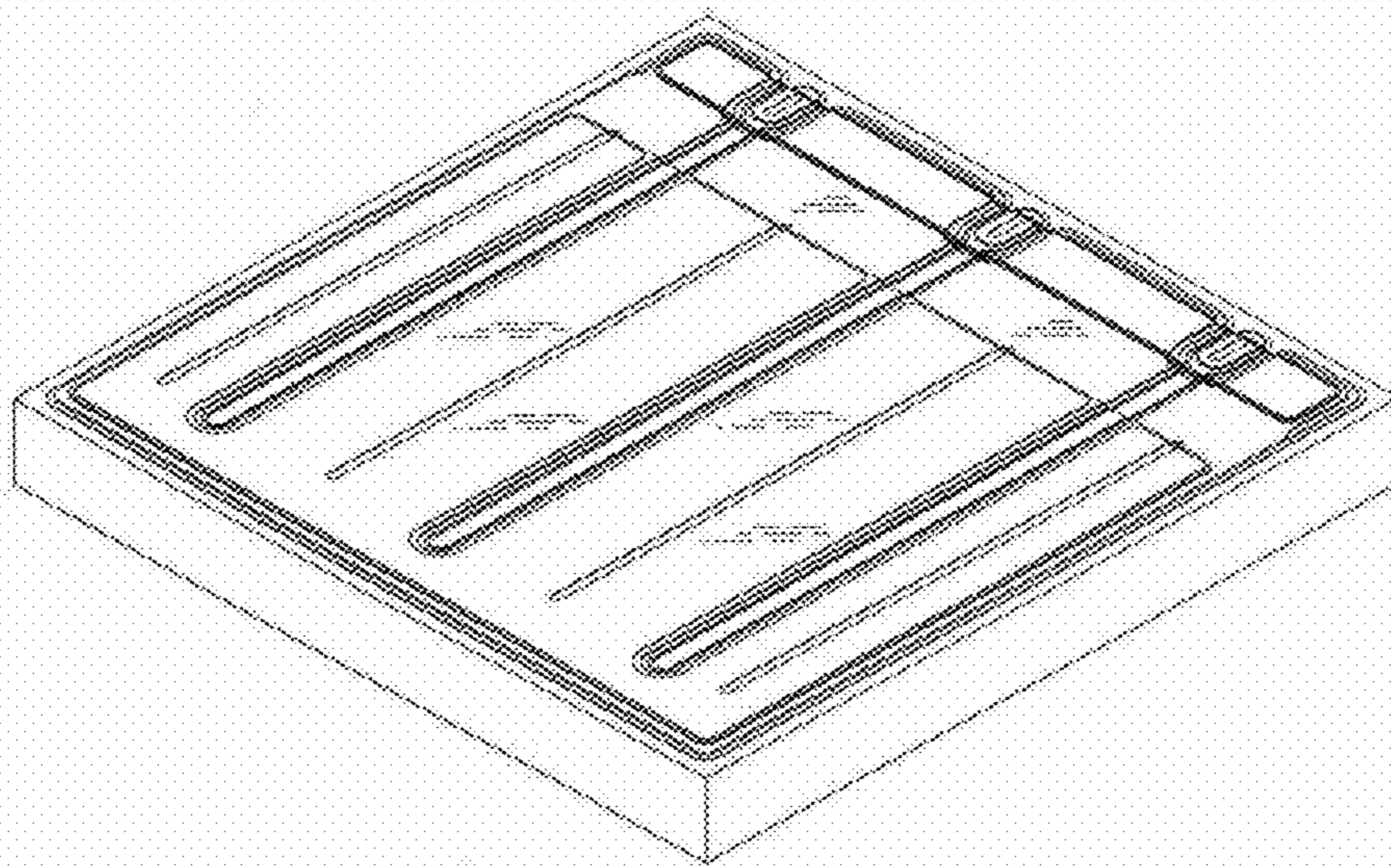


FIG.2

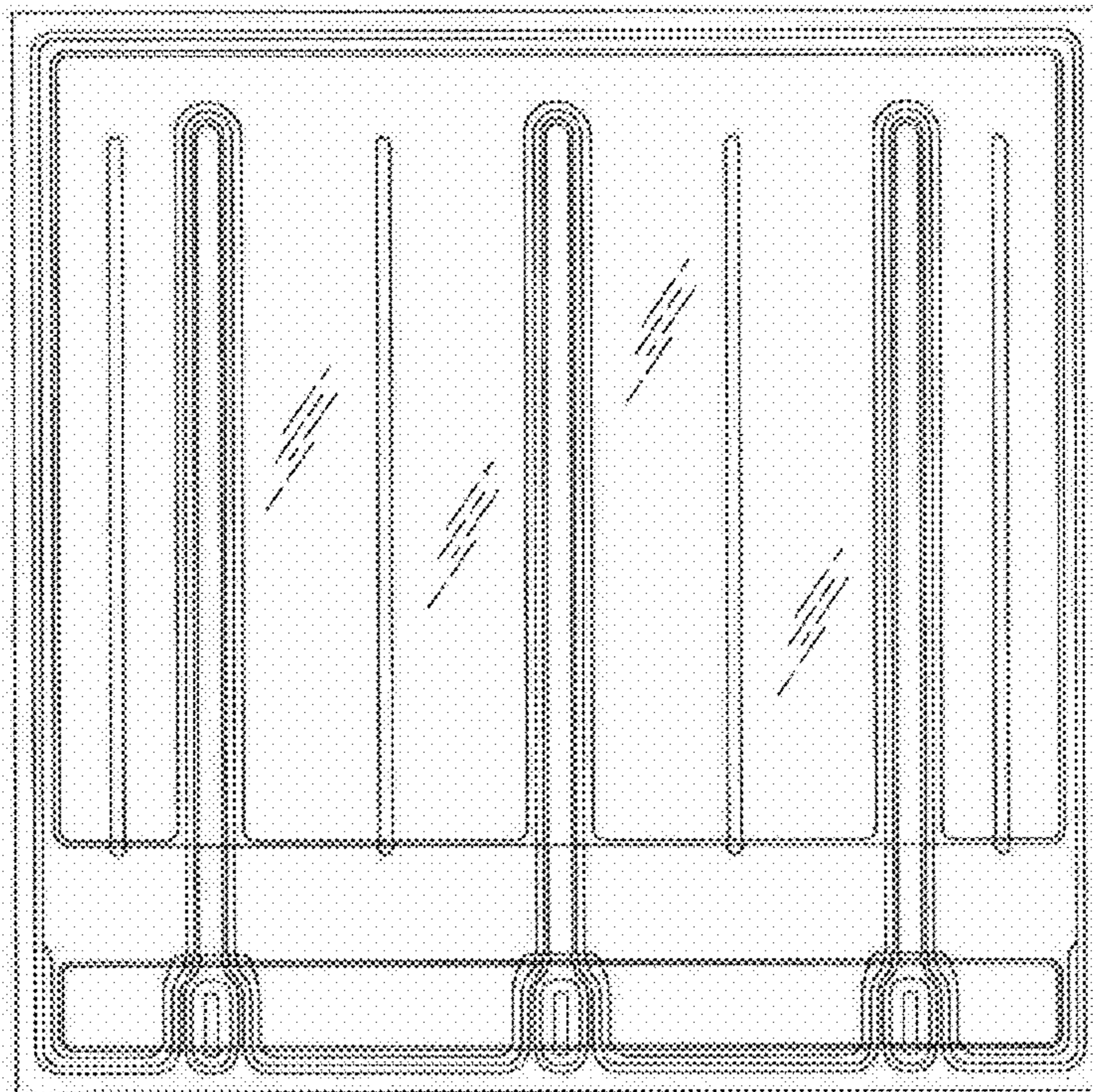


FIG.3

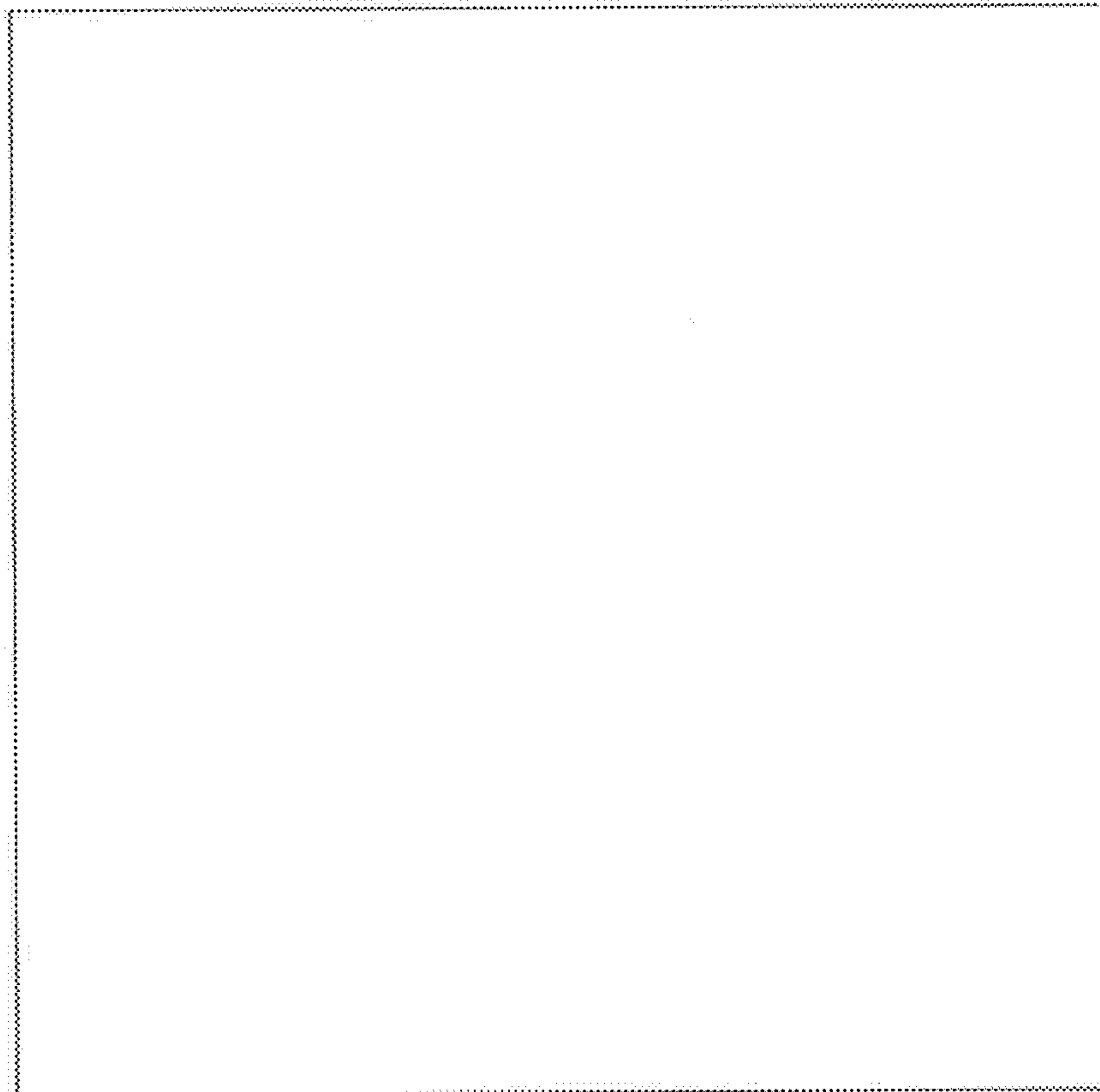


FIG.4

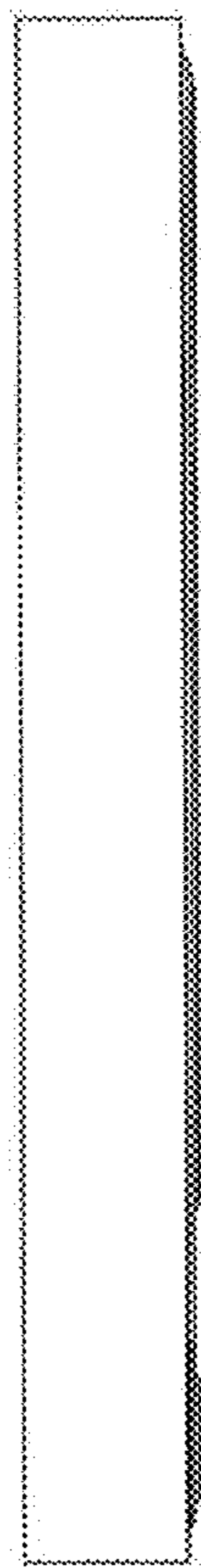


FIG.5

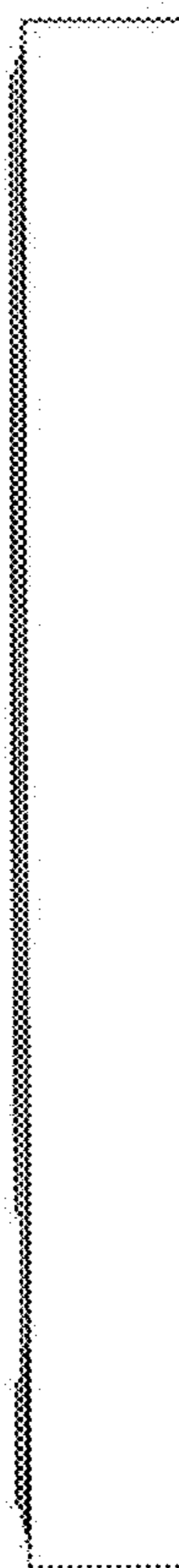


FIG.6

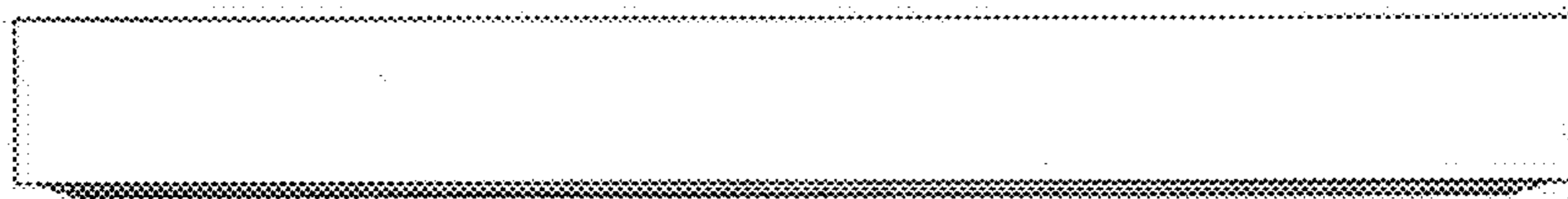


FIG. 7



FIG. 8