

US00D698742S

(12) **United States Design Patent**
Niikura et al.

(10) **Patent No.:** **US D698,742 S**

(45) **Date of Patent:** **** Feb. 4, 2014**

(54) **LIGHT-EMITTING DIODE**

(71) Applicant: **Kabushiki Kaisha Toshiba**, Tokyo (JP)

(72) Inventors: **Yuichiro Niikura**, Kamakura (JP);
Nozomu Takahashi, Ayase (JP)

(73) Assignee: **Kabushiki Kaisha Toshiba** (JP)

(**) Term: **14 Years**

(21) Appl. No.: **29/448,644**

(22) Filed: **Mar. 13, 2013**

(30) **Foreign Application Priority Data**

Sep. 27, 2012 (JP) 2012-023490

(51) **LOC (10) Cl.** **13-03**

(52) **U.S. Cl.**
USPC **D13/180**

(58) **Field of Classification Search**
USPC D13/180; D26/1; 257/79, 80, 81, 88,
257/89, 95, 98, 99, 100, E33.058; 313/483,
313/498, 500; 362/555, 800
See application file for complete search history.

(56) **References Cited**

U.S. PATENT DOCUMENTS

D491,899 S *	6/2004	Yagi	D13/180
D505,397 S *	5/2005	Asakawa	D13/180
D510,912 S *	10/2005	Asakawa	D13/180
D517,025 S *	3/2006	Asakawa	D13/180
D576,573 S *	9/2008	Kobayakawa	D13/180

D593,967 S *	6/2009	Fushimi	D13/180
D632,659 S *	2/2011	Hsieh	D13/180
D662,902 S *	7/2012	Shieh et al.	D13/180
8,269,244 B2 *	9/2012	Hussell	257/98
D676,003 S *	2/2013	Takeda et al.	D13/180
8,399,899 B2 *	3/2013	Matsuda et al.	257/98
2011/0001156 A1 *	1/2011	Matsuda et al.	257/98
2011/0024786 A1 *	2/2011	Sugiyama	257/99

FOREIGN PATENT DOCUMENTS

JP	1196759	2/2004
JP	1270075	5/2006
JP	1289335	12/2006
JP	1344620	11/2009
JP	1408197	2/2011

* cited by examiner

Primary Examiner — Selina Sikder

(74) *Attorney, Agent, or Firm* — Banner & Witcoff, Ltd

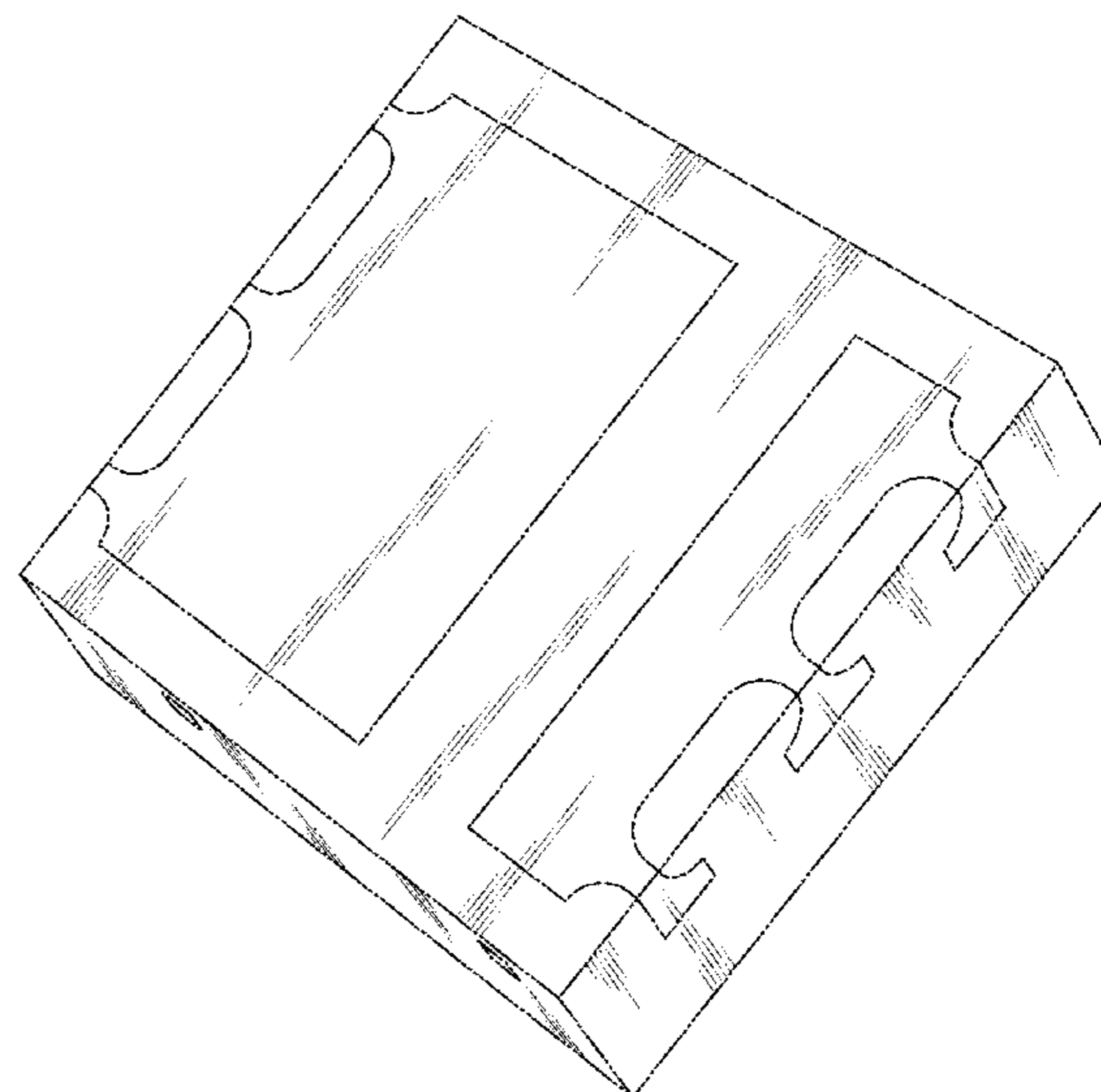
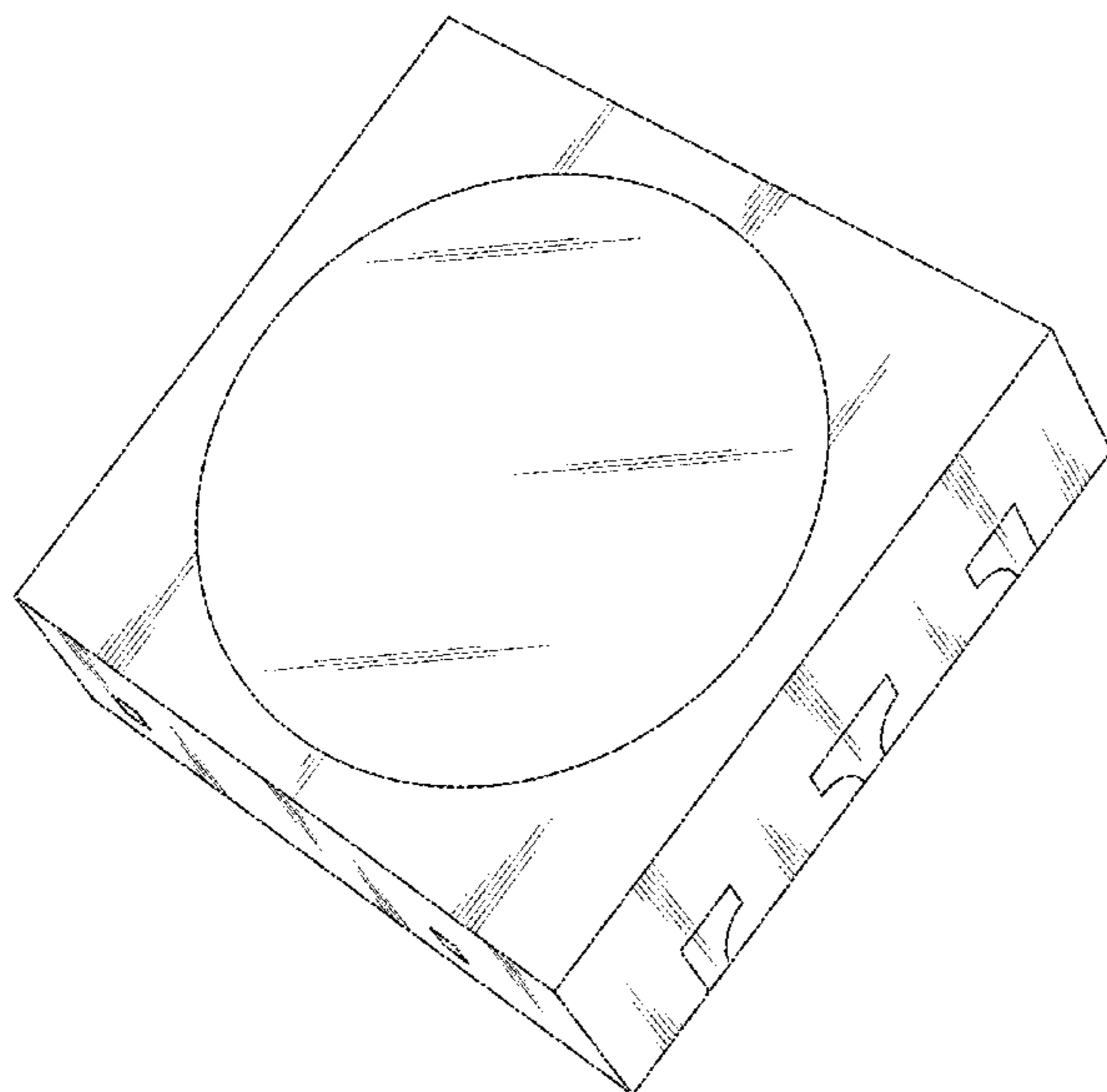
(57) **CLAIM**

The ornamental design for a light-emitting diode, as shown and described.

DESCRIPTION

FIG. 1 is a front perspective view of a light-emitting diode, showing our new design;
FIG. 2 is a rear perspective view thereof;
FIG. 3 is a front elevational view thereof;
FIG. 4 is a rear elevational view thereof;
FIG. 5 is a bottom view thereof; the opposite side being a mirror image thereof; and,
FIG. 6 is a right side elevational view thereof; the opposite side being a mirror image thereof.

1 Claim, 5 Drawing Sheets



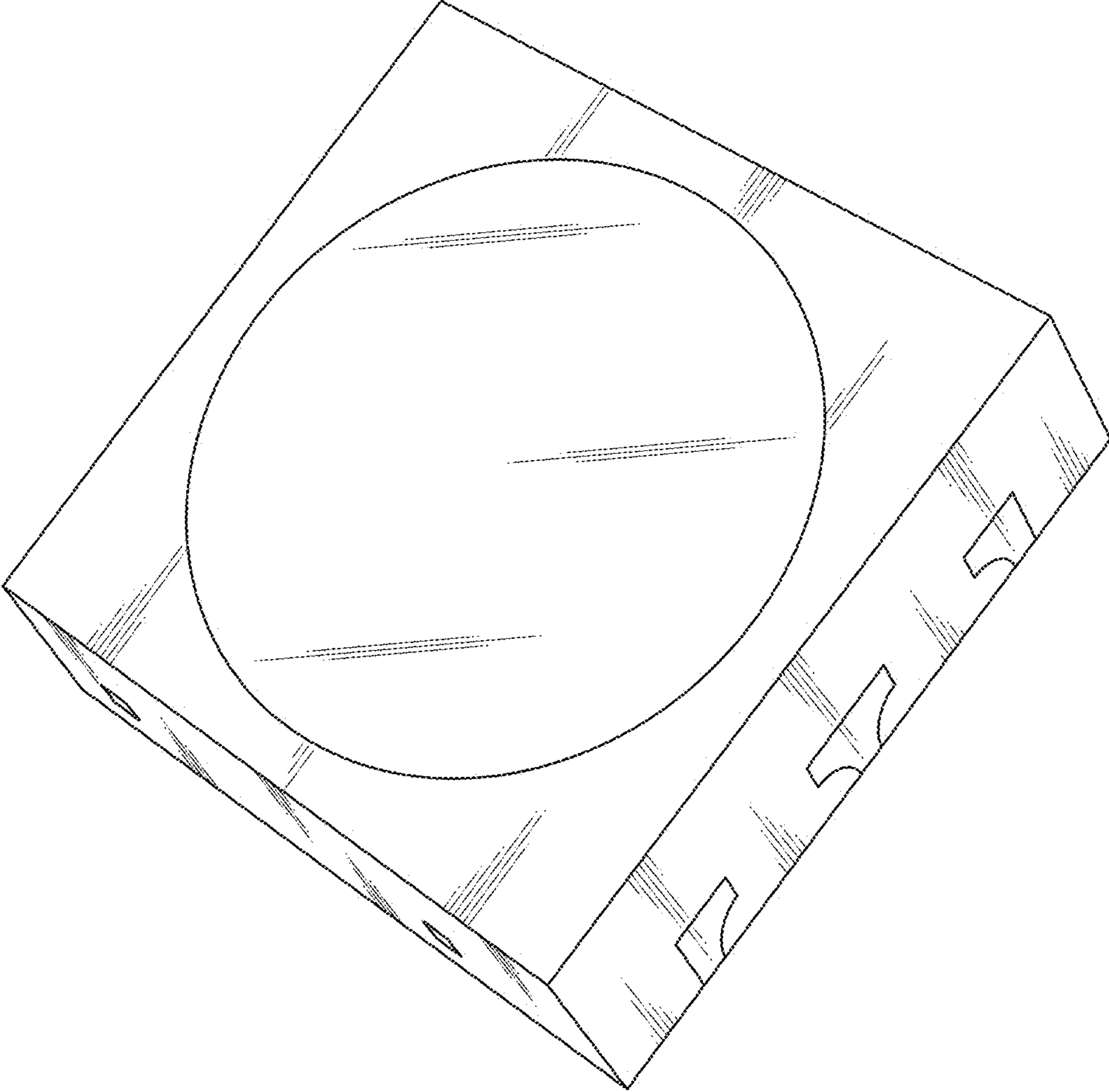


FIG. 1

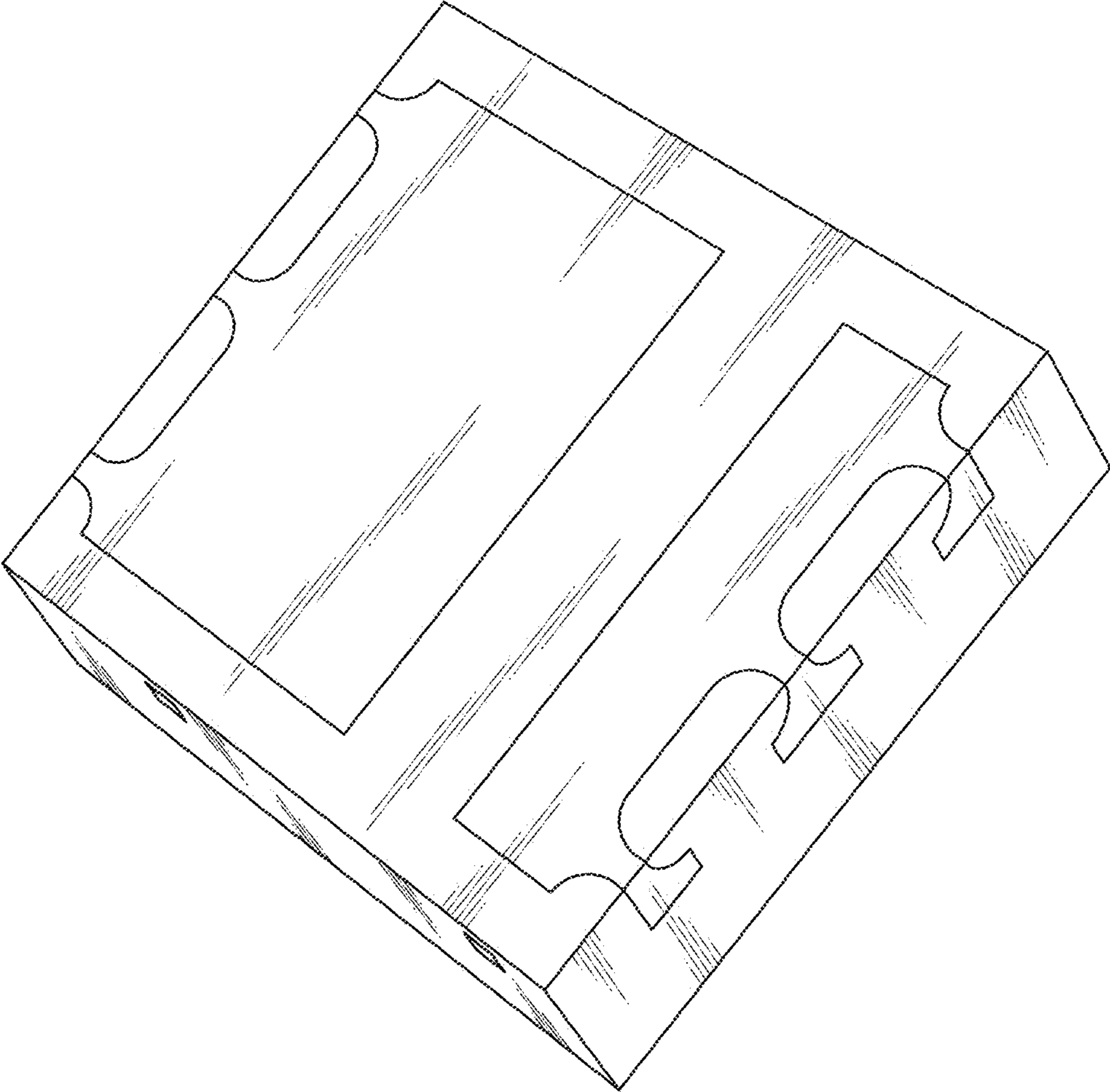


FIG. 2

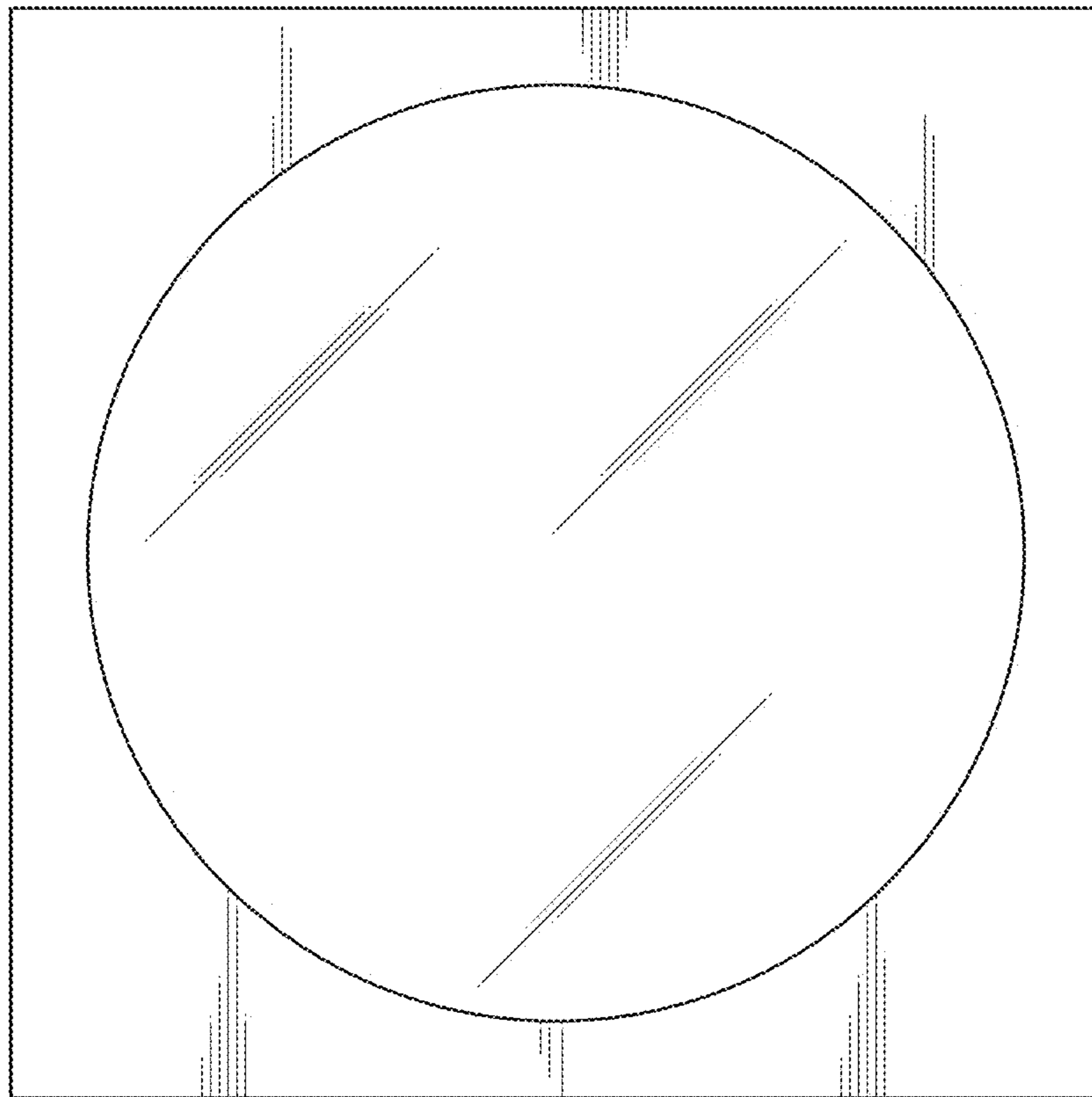


FIG. 3

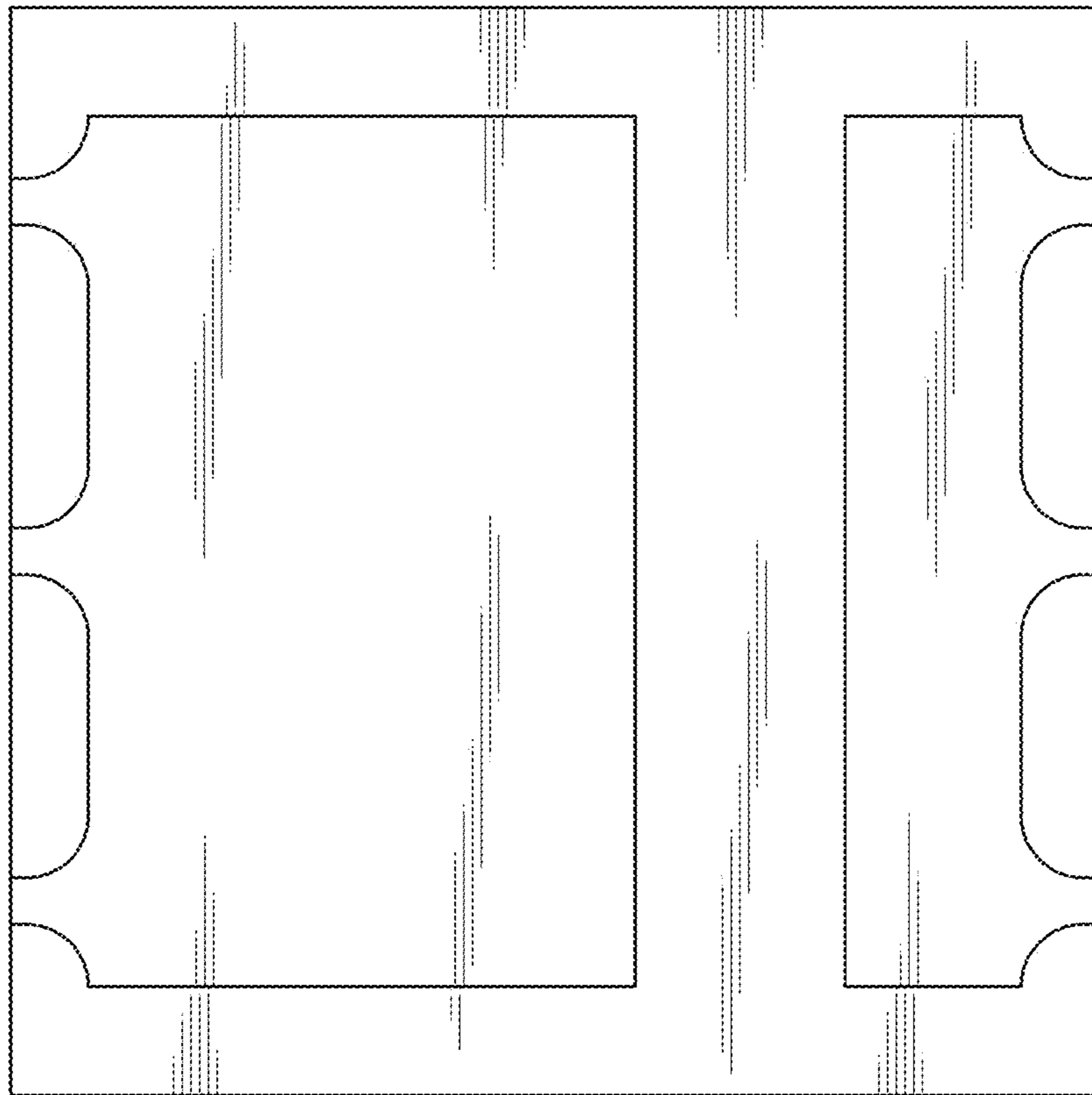


FIG. 4

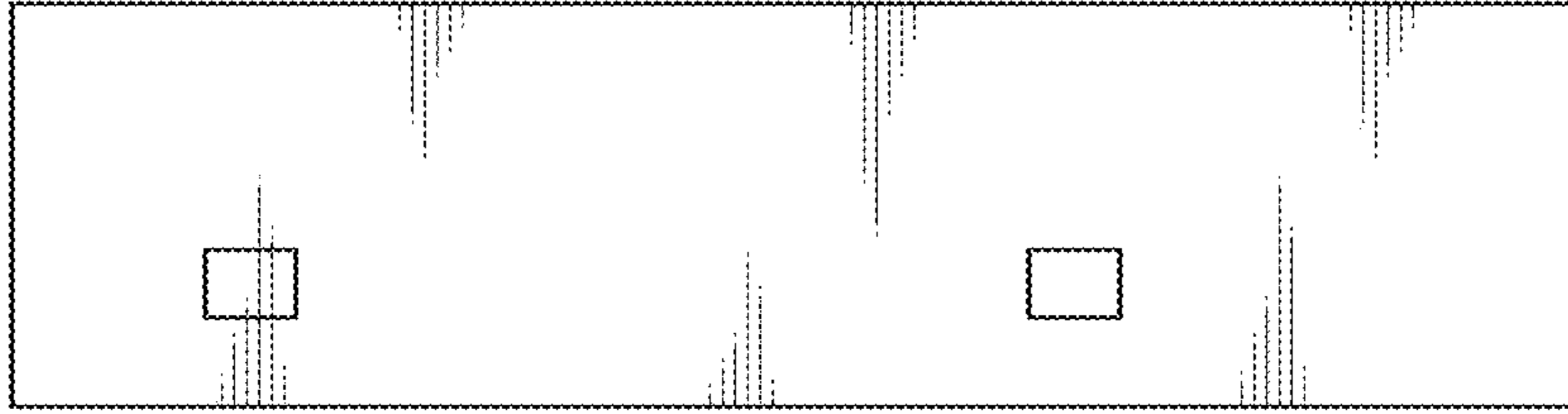


FIG. 5

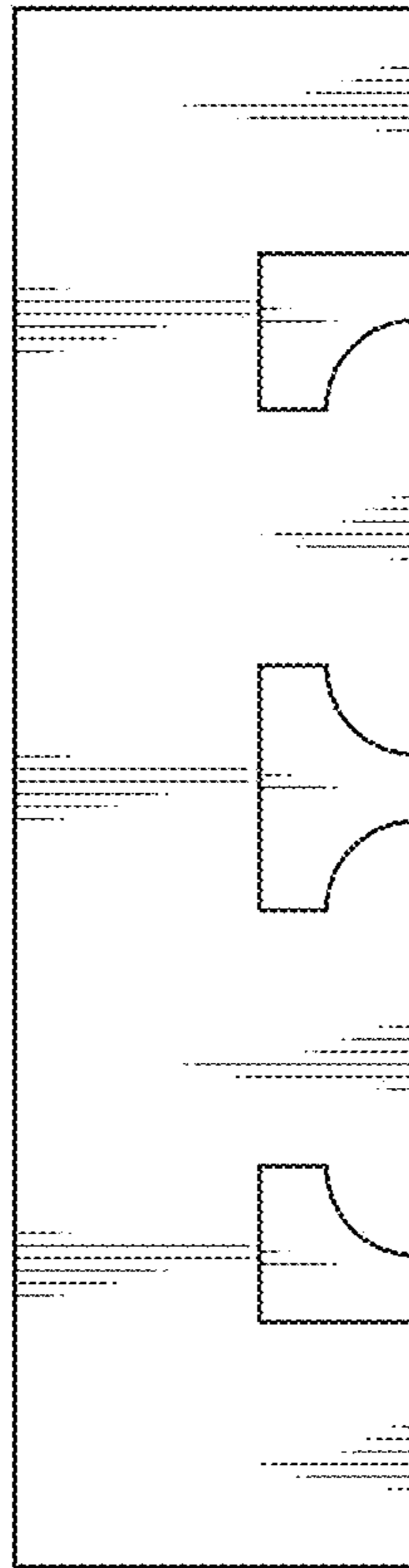


FIG. 6