

US00D698741S

(12) **United States Design Patent**
Kobayashi et al.

(10) **Patent No.:** **US D698,741 S**
(45) **Date of Patent:** **** Feb. 4, 2014**

(54) **LIGHT-EMITTING DIODE**
(71) Applicant: **Kabushiki Kaisha Toshiba**, Tokyo (JP)
(72) Inventors: **Mitsuhiro Kobayashi**, Yokohama (JP);
Nozomu Takahashi, Ayase (JP)
(73) Assignee: **Kabushiki Kaisha Toshiba** (JP)
(**) Term: **14 Years**

D640,643 S * 6/2011 Hsieh D13/180
D642,143 S * 7/2011 Kuwaharada et al. D13/180
D643,381 S * 8/2011 Hsieh D13/180
D647,865 S * 11/2011 Miyashita D13/180
D650,343 S * 12/2011 Andrews et al. D13/180
D651,989 S * 1/2012 Lin D13/180
8,119,534 B2 * 2/2012 Tanaka et al. 438/734
D674,361 S * 1/2013 Lin et al. D13/180
D674,362 S * 1/2013 Lin et al. D13/180
D680,504 S * 4/2013 Noichi D13/180
8,415,690 B2 * 4/2013 Miyoshi et al. 257/96

(Continued)

(21) Appl. No.: **29/438,283**
(22) Filed: **Nov. 28, 2012**

FOREIGN PATENT DOCUMENTS

(30) **Foreign Application Priority Data**

CN 200830120327.8 7/2009
JP 1239573 5/2005

May 29, 2012 (JP) 2012-012609

(Continued)

(51) **LOC (10) Cl.** **13-03**
(52) **U.S. Cl.**
USPC **D13/180**
(58) **Field of Classification Search**
USPC D13/180; D26/1; D5/56; D25/156;
362/555, 800; 257/79, 80, 81, 88, 89,
257/95, 98, 99, 100, E33.058; 313/483,
313/498, 500

Primary Examiner — Selina Sikder

(74) *Attorney, Agent, or Firm* — Banner & Witcoff, Ltd.

See application file for complete search history.

(57) **CLAIM**

The ornamental design for a light-emitting diode, as shown and described.

(56) **References Cited**

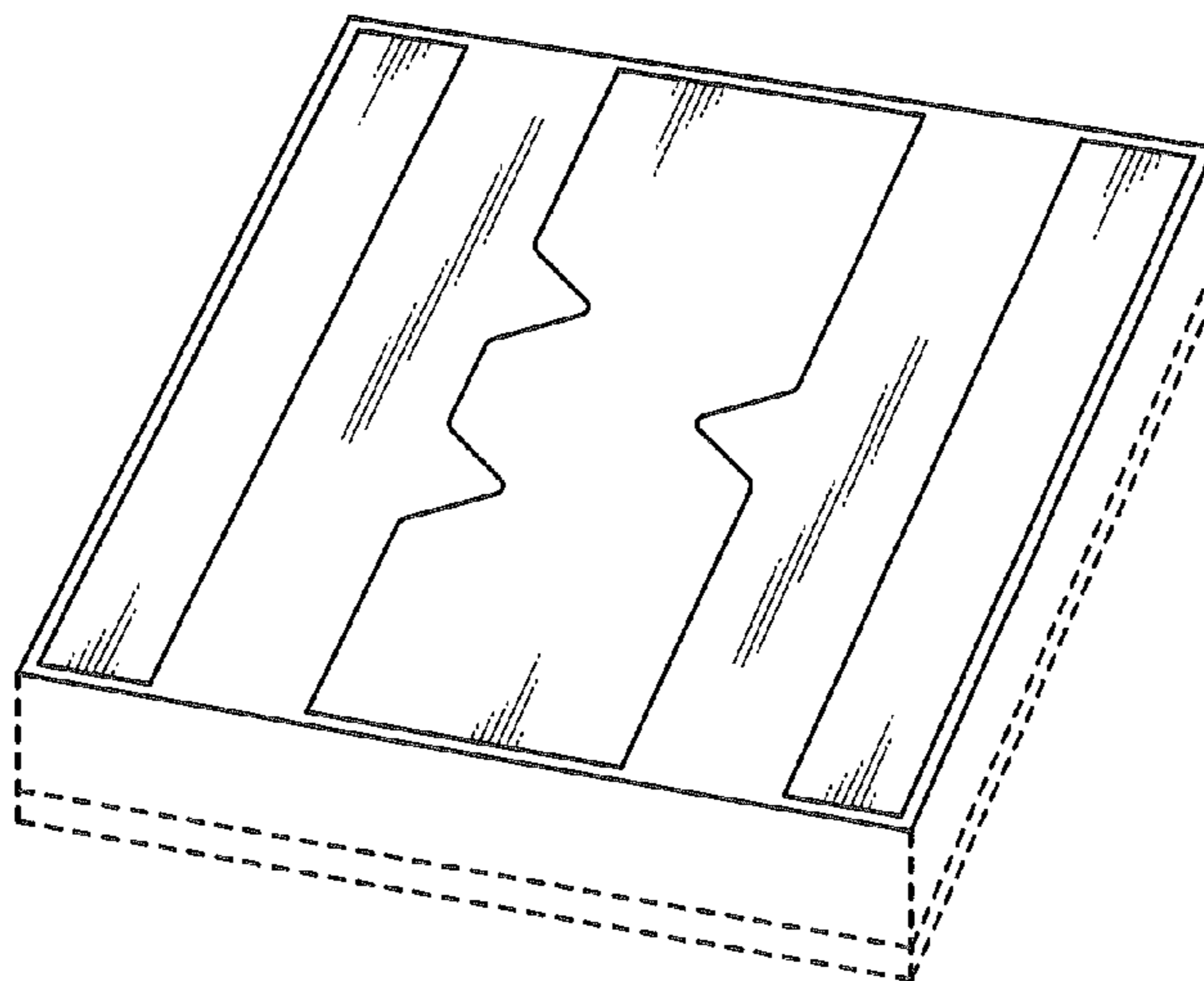
DESCRIPTION

U.S. PATENT DOCUMENTS

D517,027 S * 3/2006 Suenaga D13/180
D535,263 S * 1/2007 Sumitani D13/180
D539,760 S * 4/2007 Sumitani D13/180
7,491,977 B2 * 2/2009 Fukasawa 257/98
D615,504 S * 5/2010 Keller et al. D13/180
D627,315 S * 11/2010 Lai et al. D13/180
D628,167 S * 11/2010 Lai et al. D13/180
D628,168 S * 11/2010 Lai et al. D13/180
7,855,395 B2 * 12/2010 Lee et al. 257/99
D631,020 S * 1/2011 Chuang et al. D13/180
7,906,788 B2 * 3/2011 Nagai 257/88
D637,565 S * 5/2011 Wu et al. D13/180

FIG. 1 is a front perspective view of a light-emitting diode, showing our new design;
FIG. 2 is a rear perspective view thereof;
FIG. 3 is a front elevational view thereof;
FIG. 4 is a rear elevational view thereof;
FIG. 5 is a top plan view thereof; the opposite side being a mirror image thereof;
FIG. 6 is a right side elevational view thereof; the opposite side being a mirror image thereof; and,
FIG. 7 is an end view thereof, taken along the line 7-7 in FIG. 3, with its internal mechanisms omitted.
The broken lines are for illustrative purposes only and form no part of the claimed design.

1 Claim, 4 Drawing Sheets



US D698,741 S

Page 2

(56)

References Cited

2011/0291154 A1* 12/2011 Noichi et al. 257/99

U.S. PATENT DOCUMENTS

FOREIGN PATENT DOCUMENTS

2009/0020778 A1* 1/2009 Noichi 257/99
2009/0108281 A1* 4/2009 Keller et al. 257/98
2010/0252851 A1* 10/2010 Emerson et al. 257/98
2011/0024786 A1* 2/2011 Sugiyama 257/99
2011/0248289 A1* 10/2011 Hsieh et al. 257/88

JP 1363679 6/2009
JP 1363680 6/2009
JP 1420644 8/2011

* cited by examiner

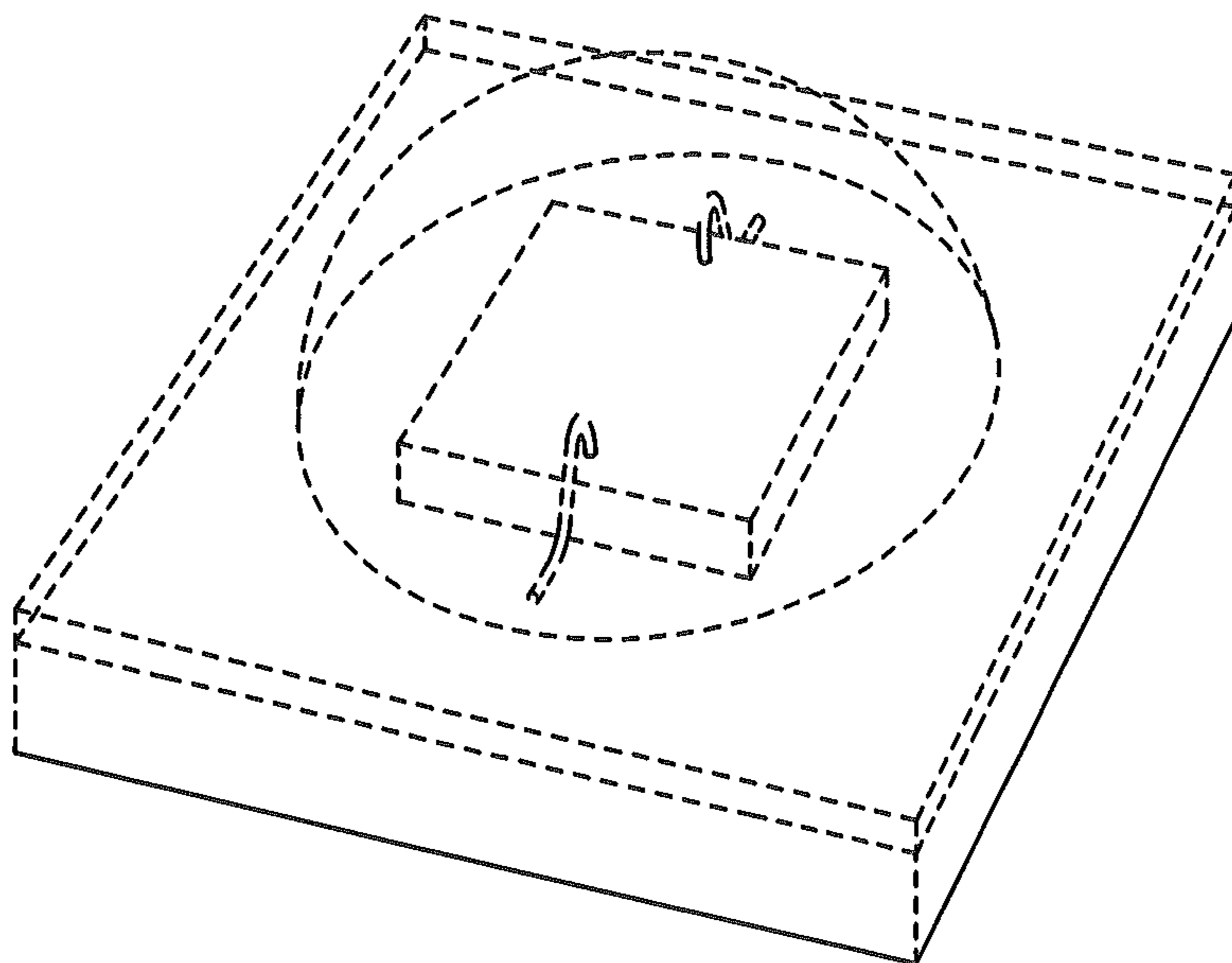


FIG. 1

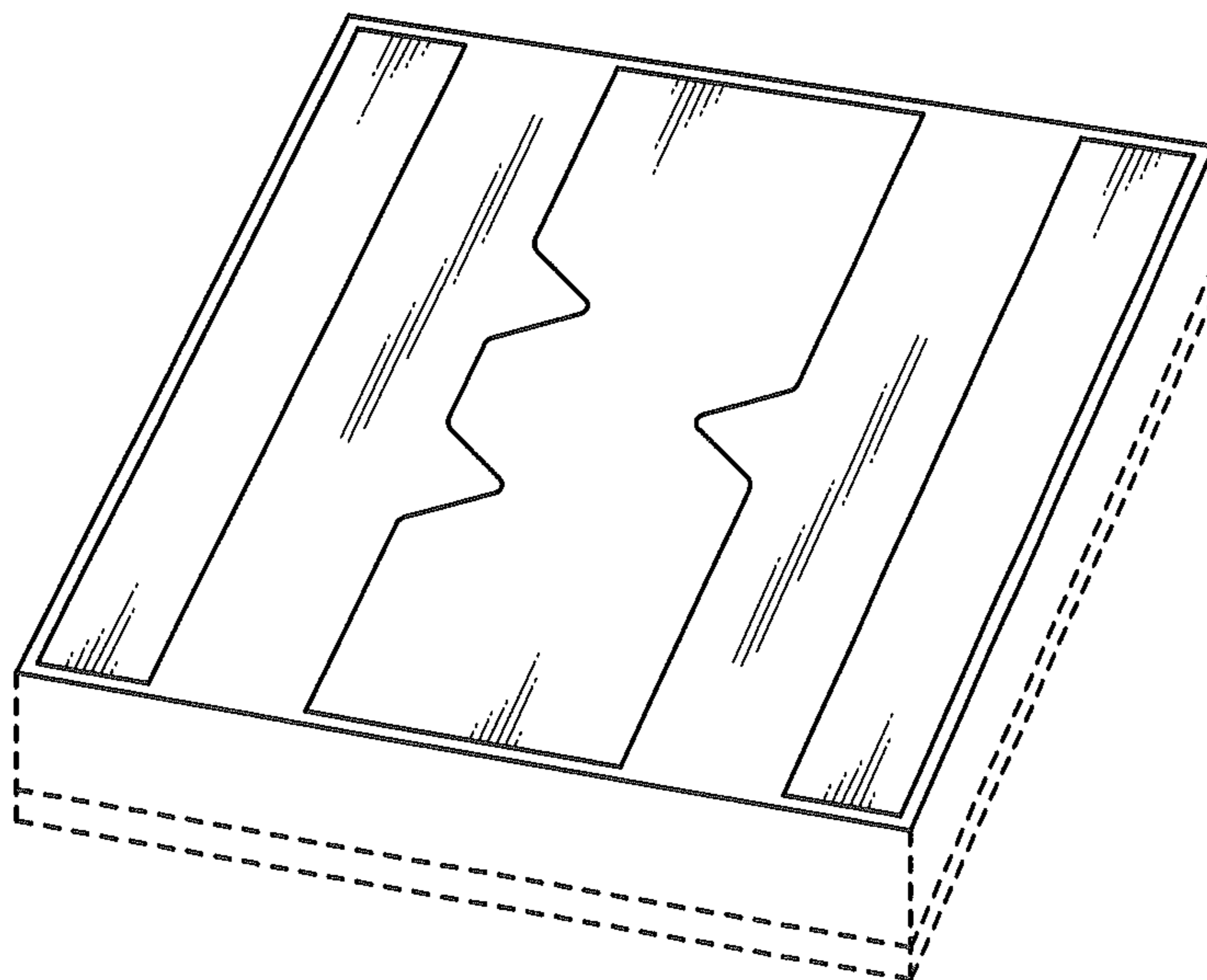


FIG. 2

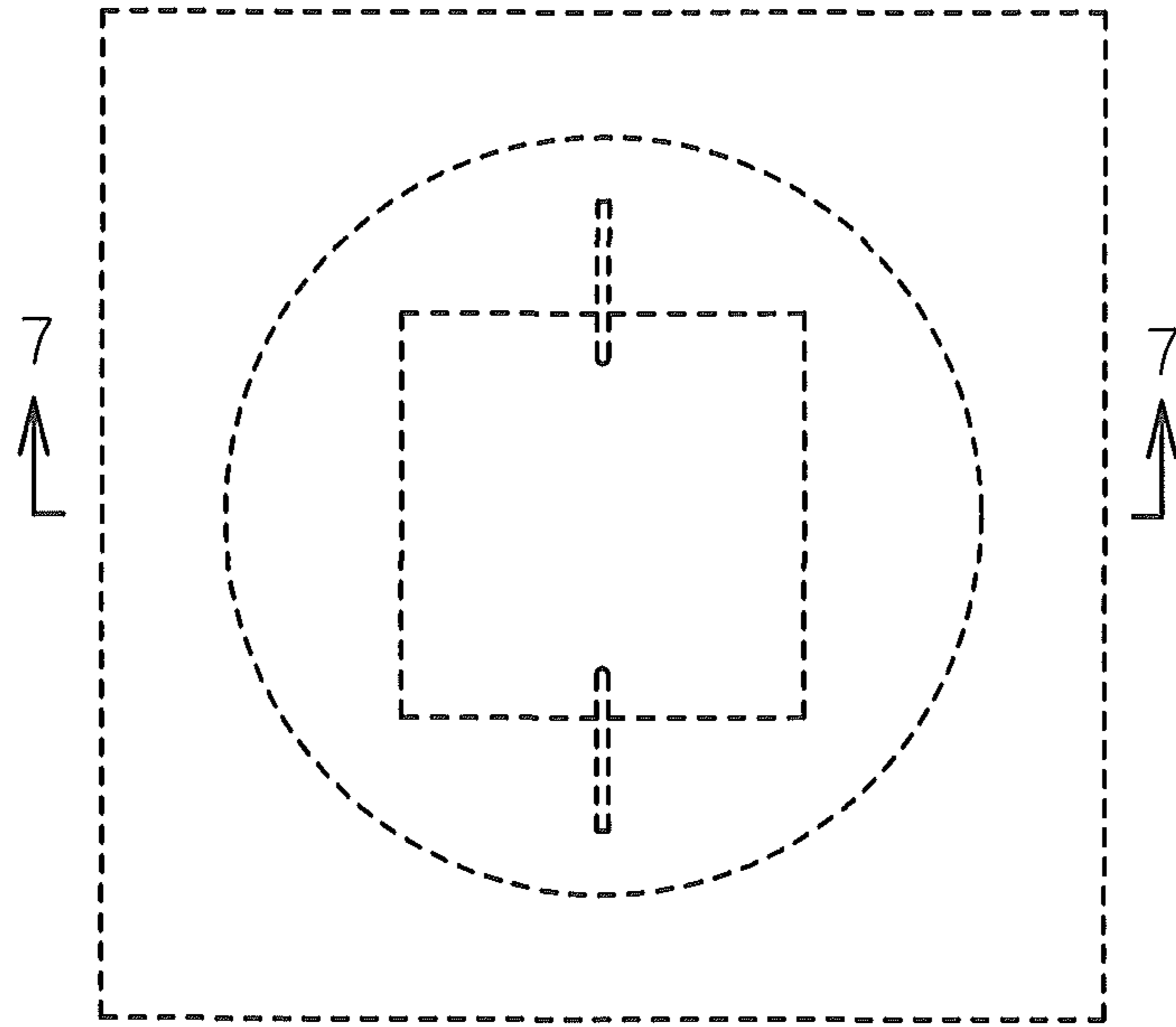


FIG. 3

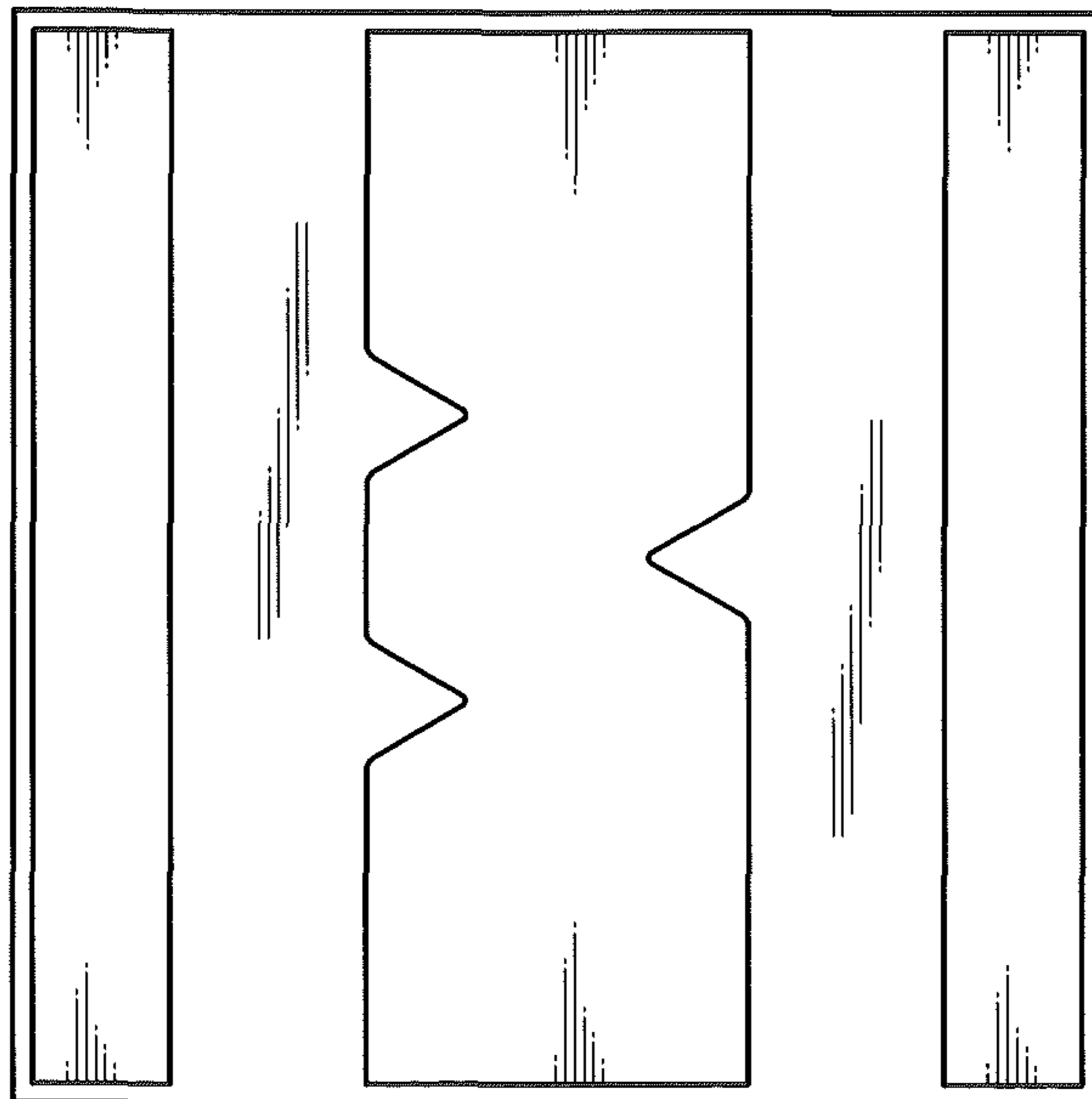


FIG. 4

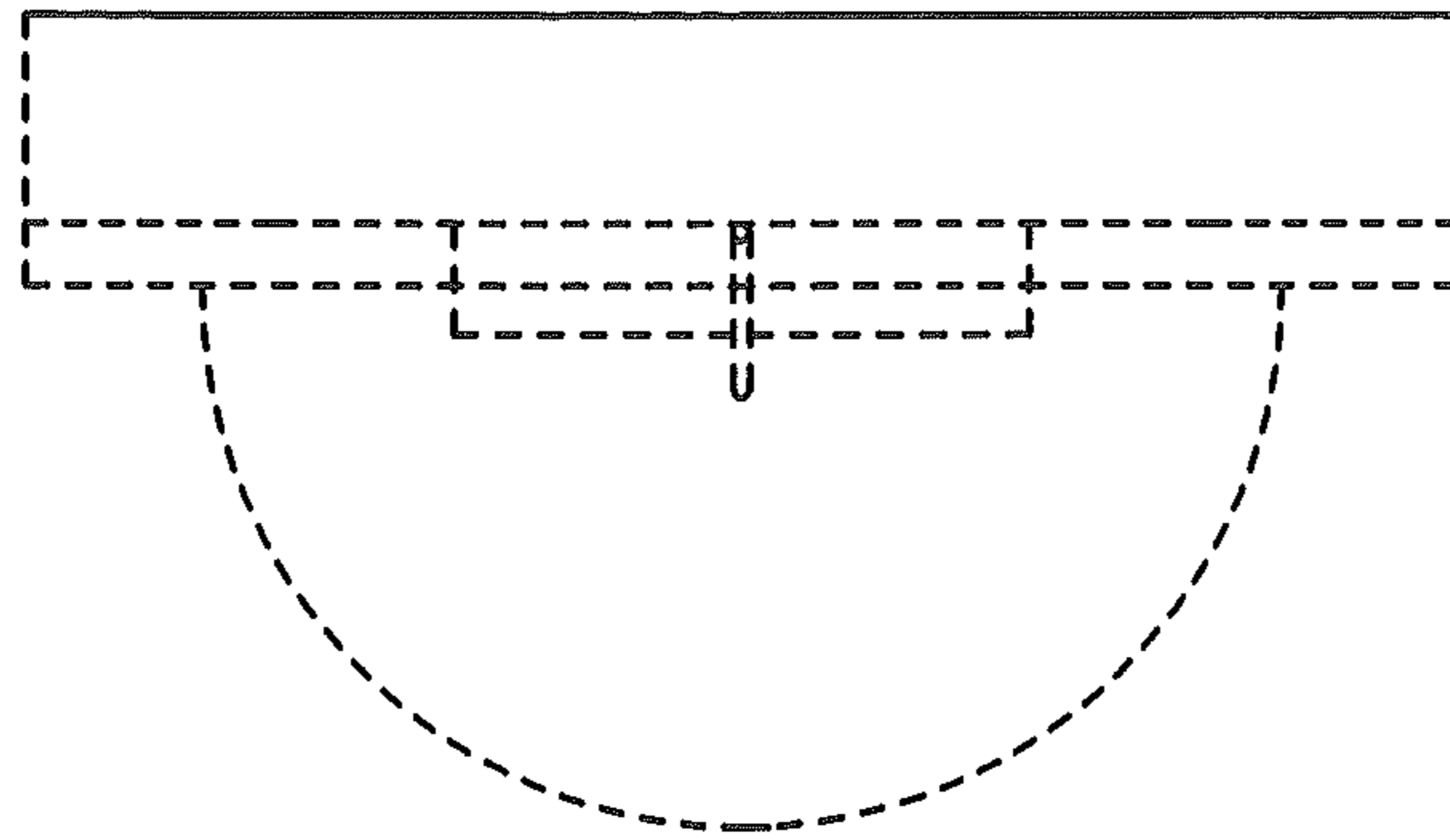


FIG. 5

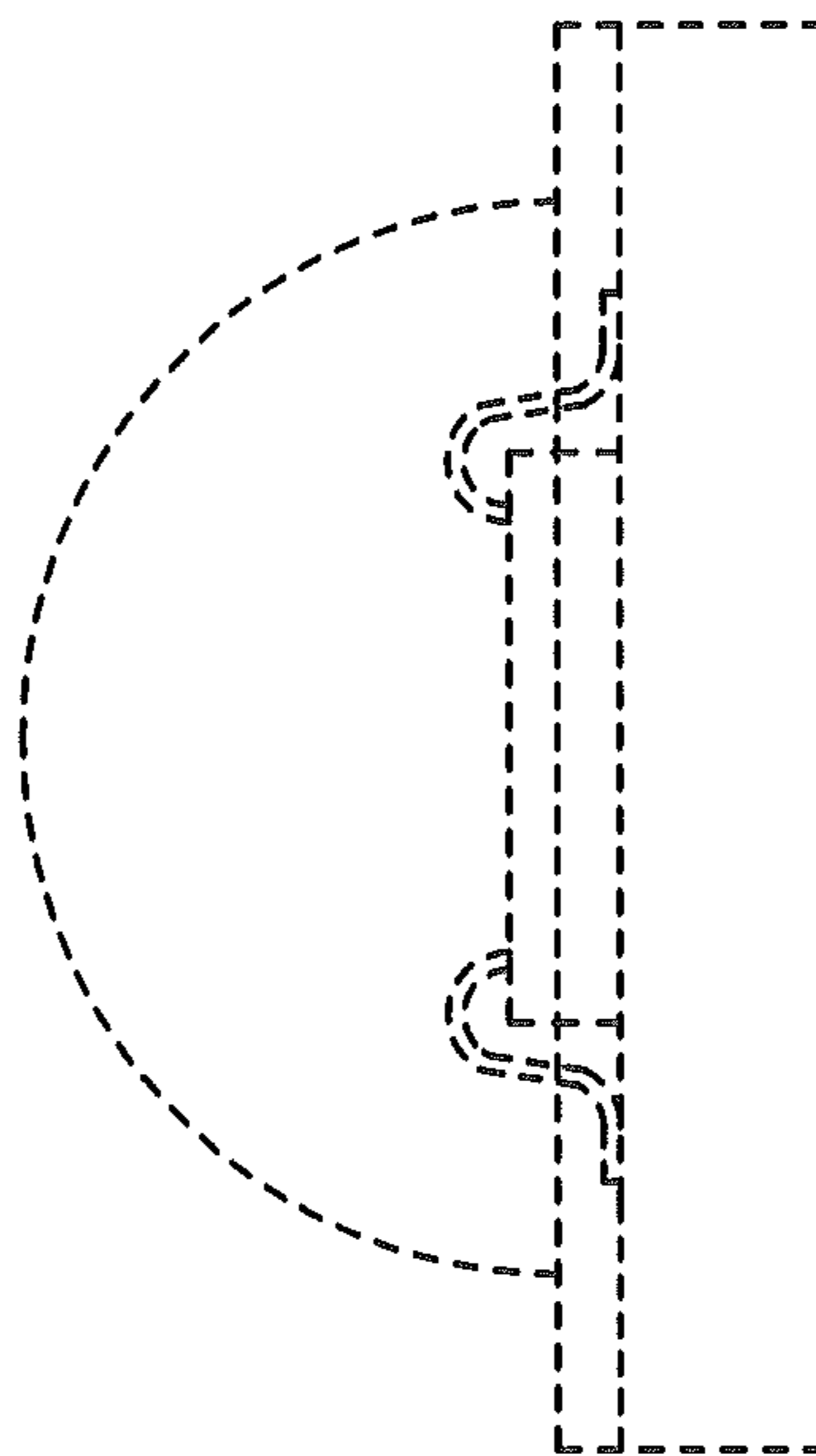


FIG. 6

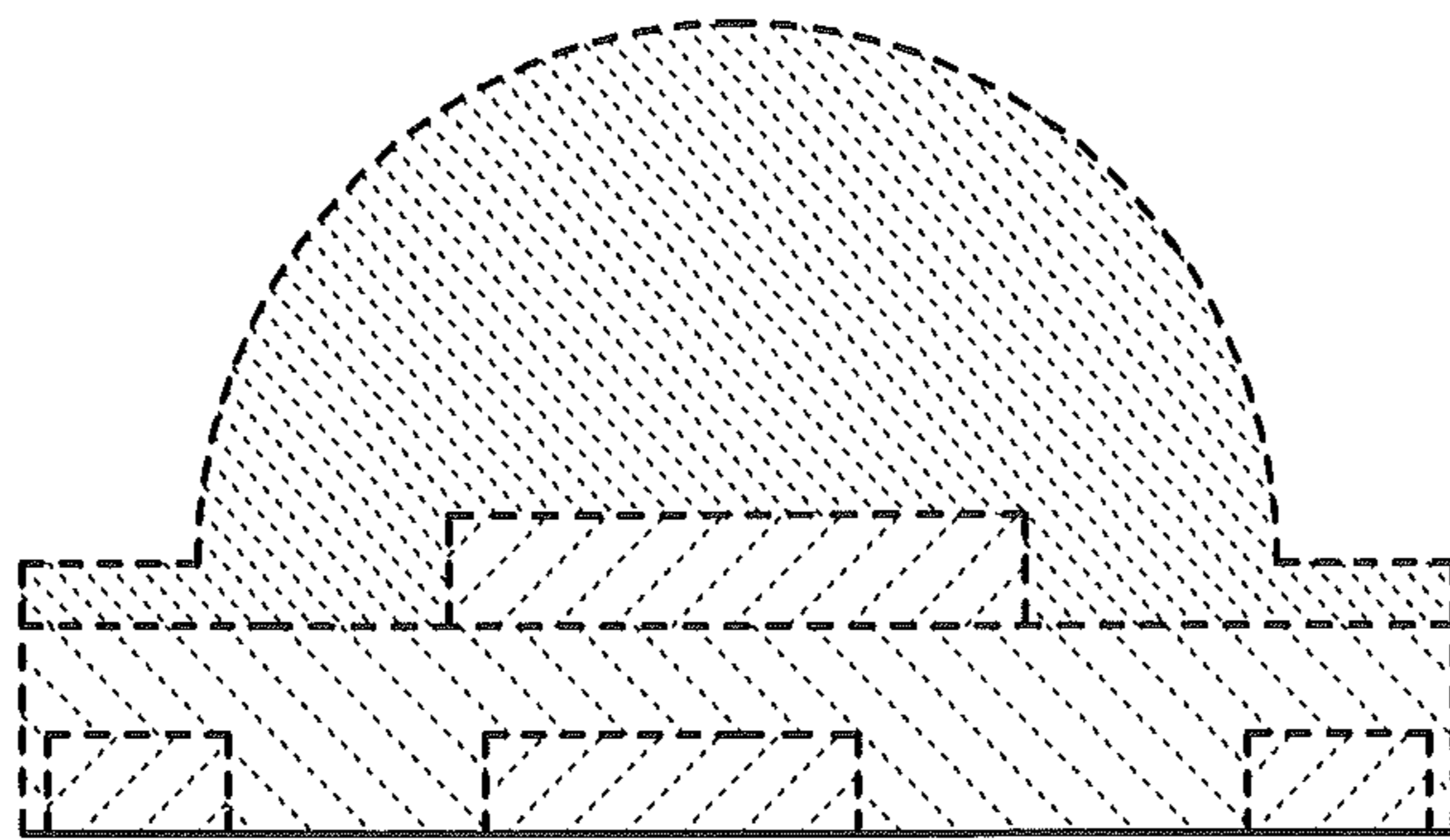


FIG. 7