



US00D698740S

(12) **United States Design Patent**
Schubert

(10) **Patent No.:** **US D698,740 S**

(45) **Date of Patent:** **** Feb. 4, 2014**

(54) **HEAT SINK**

(75) **Inventor:** **Carl Aake Henrik Schubert**, San Rafael, CA (US)

(73) **Assignee:** **Alpoint Technologies, LLC**, San Rafael, CA (US)

(**) **Term:** **14 Years**

(21) **Appl. No.:** **29/422,778**

(22) **Filed:** **May 23, 2012**

(51) **LOC (10) Cl.** **13-03**

(52) **U.S. Cl.**
USPC **D13/179**

(58) **Field of Classification Search**
USPC D13/179; 165/80.3, 104.26, 104.33,
165/122, 151, 185; 257/706, 707, 718-722;
361/695, 697, 700, 702, 704, 709, 710,
361/711, 719

See application file for complete search history.

(56) **References Cited**

U.S. PATENT DOCUMENTS

D277,748 S	2/1985	McCarthy	
D357,670 S	4/1995	Dodson	
D376,132 S	12/1996	Orton	
D378,815 S	4/1997	Dodson	
D400,188 S *	10/1998	Chu	D13/179
6,241,006 B1 *	6/2001	Shih	165/80.3
D450,044 S *	11/2001	Lindstrom	D13/179
6,449,152 B1 *	9/2002	Lin	361/697
6,450,248 B1 *	9/2002	Chang	165/80.3
D465,462 S	11/2002	Hsieh	
D474,754 S	5/2003	Tan et al.	
6,598,667 B1 *	7/2003	Kuo	165/80.3
D481,017 S *	10/2003	Hsia et al.	D13/179
D492,265 S *	6/2004	Chu	D13/179
6,748,656 B2 *	6/2004	Woerner et al.	29/890.03
7,391,615 B2 *	6/2008	Fu et al.	361/704
D573,110 S *	7/2008	Otsuki et al.	D13/179

7,403,394 B2 *	7/2008	Chen	361/704
D581,376 S	11/2008	Shaner	
7,478,667 B2 *	1/2009	Yang	165/80.2
8,081,477 B2 *	12/2011	Yang et al.	361/720
2006/0175042 A1 *	8/2006	Kuo	165/80.3
2009/0151895 A1 *	6/2009	Liu	165/80.2
2009/0154108 A1 *	6/2009	Guo et al.	361/709

* cited by examiner

Primary Examiner — Selina Sikder

(74) *Attorney, Agent, or Firm* — Patent Law Offices of Michael E. Woods; Michael E. Woods

(57) **CLAIM**

The ornamental design for heat sink, as shown and described.

DESCRIPTION

FIG. 1 is a perspective view of a heat sink showing my new design;

FIG. 2 is a right side view thereof, the left side view being a mirror image of the right side view;

FIG. 3 is a front view thereof, the rear view being a mirror image of the front view;

FIG. 4 is a top view thereof; and

FIG. 5 is a bottom view thereof; and

FIG. 6 is a perspective view of a heat sink showing a first alternative embodiment of my new design;

FIG. 7 is a right side view thereof, the left side view being a mirror image of the right side view;

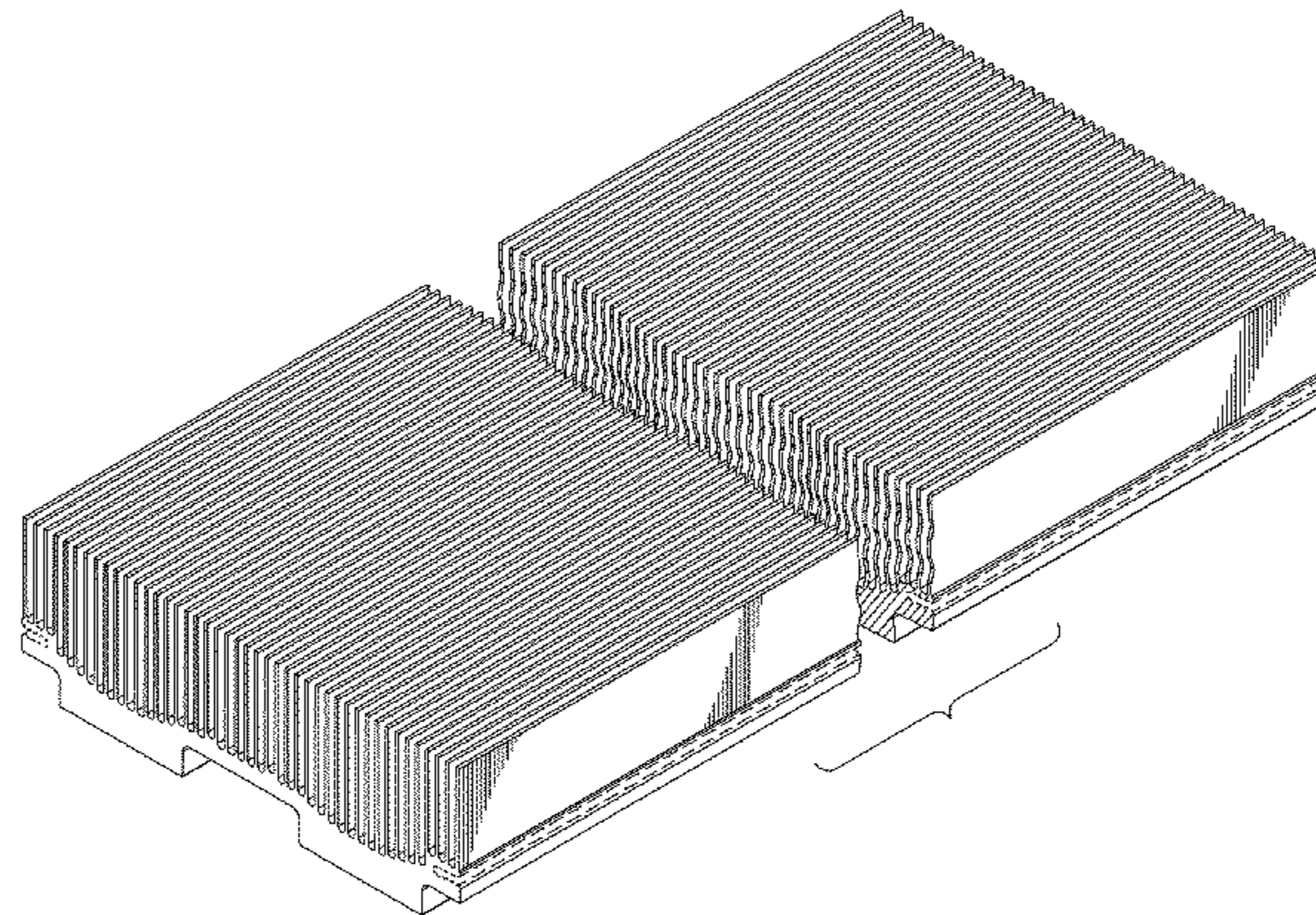
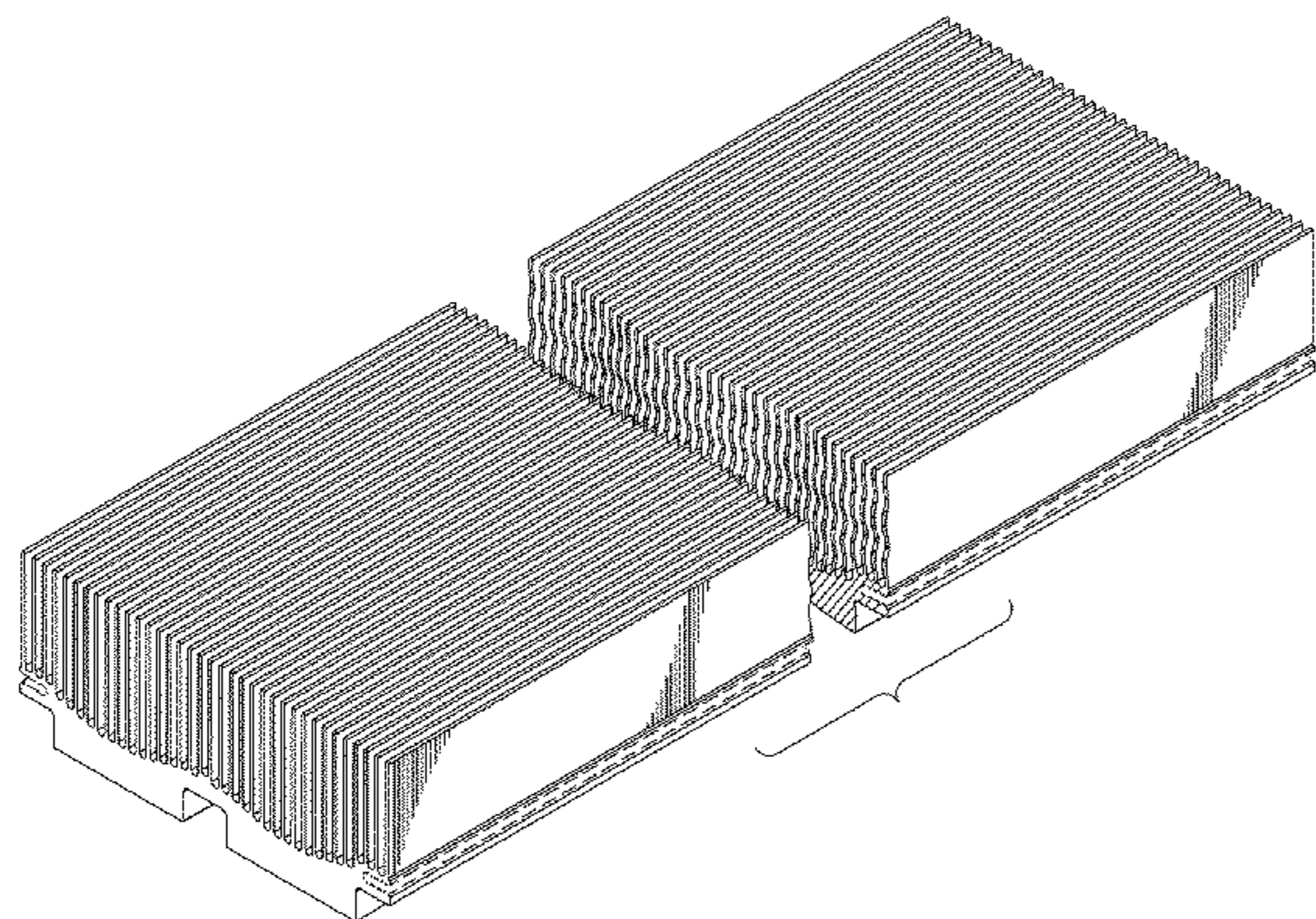
FIG. 8 is a front view thereof, the rear view being a mirror image of the front view;

FIG. 9 is a top view thereof; and,

FIG. 10 is a bottom view thereof.

The heat sink is shown broken away in FIGS. 1-10 of the drawing to indicate indeterminate length, it being understood that it has a uniform shape and appearance through its length. Portions or features of the heat sink shown in broken lines form no part of the claimed design.

1 Claim, 8 Drawing Sheets



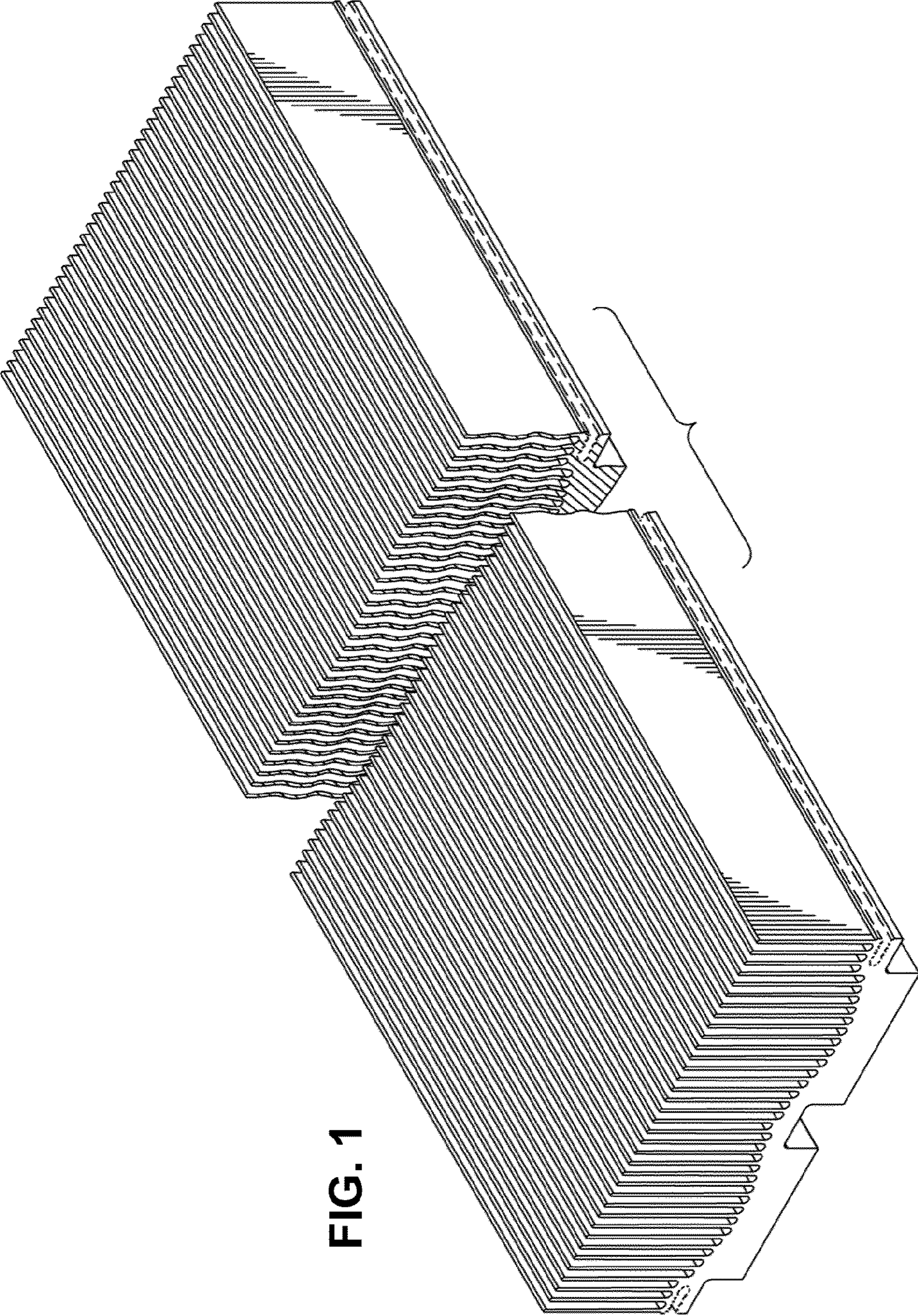


FIG. 1

FIG. 2

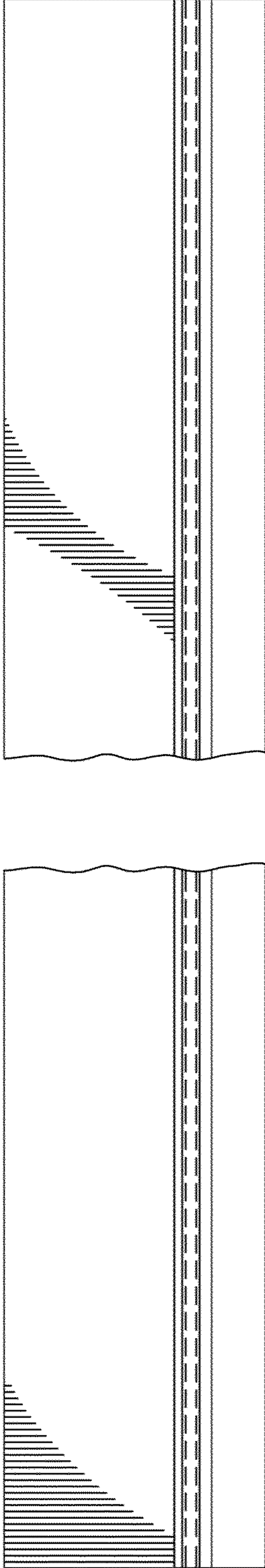


FIG. 3

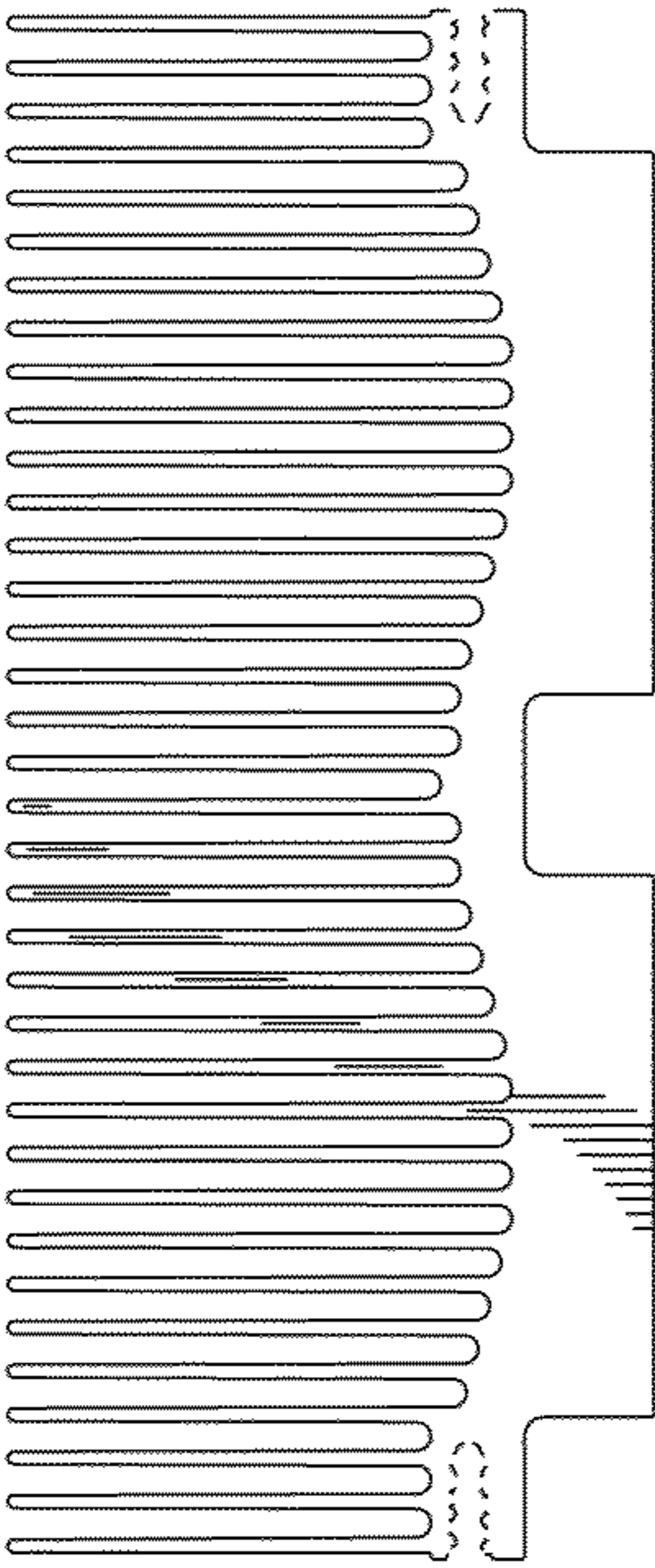
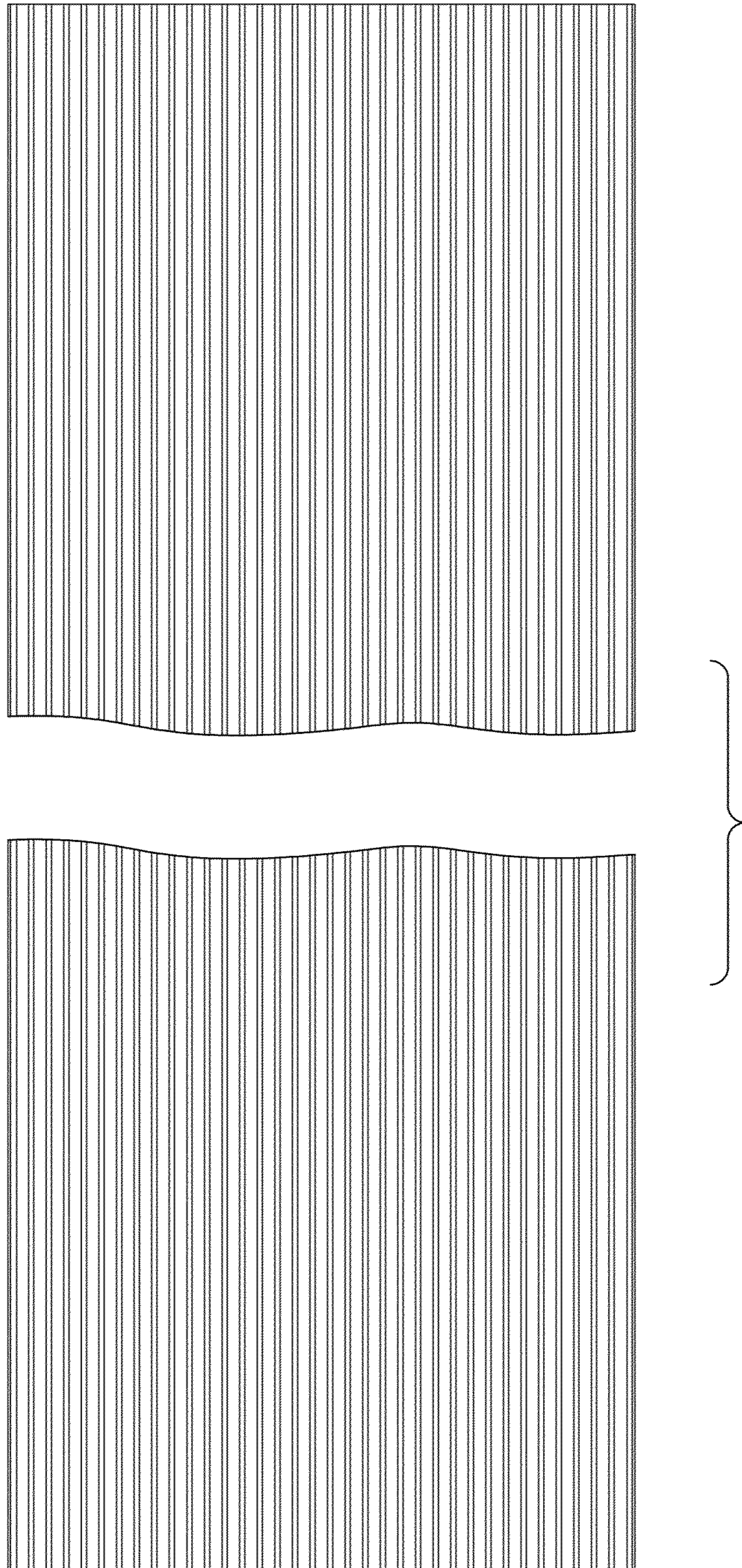


FIG. 4



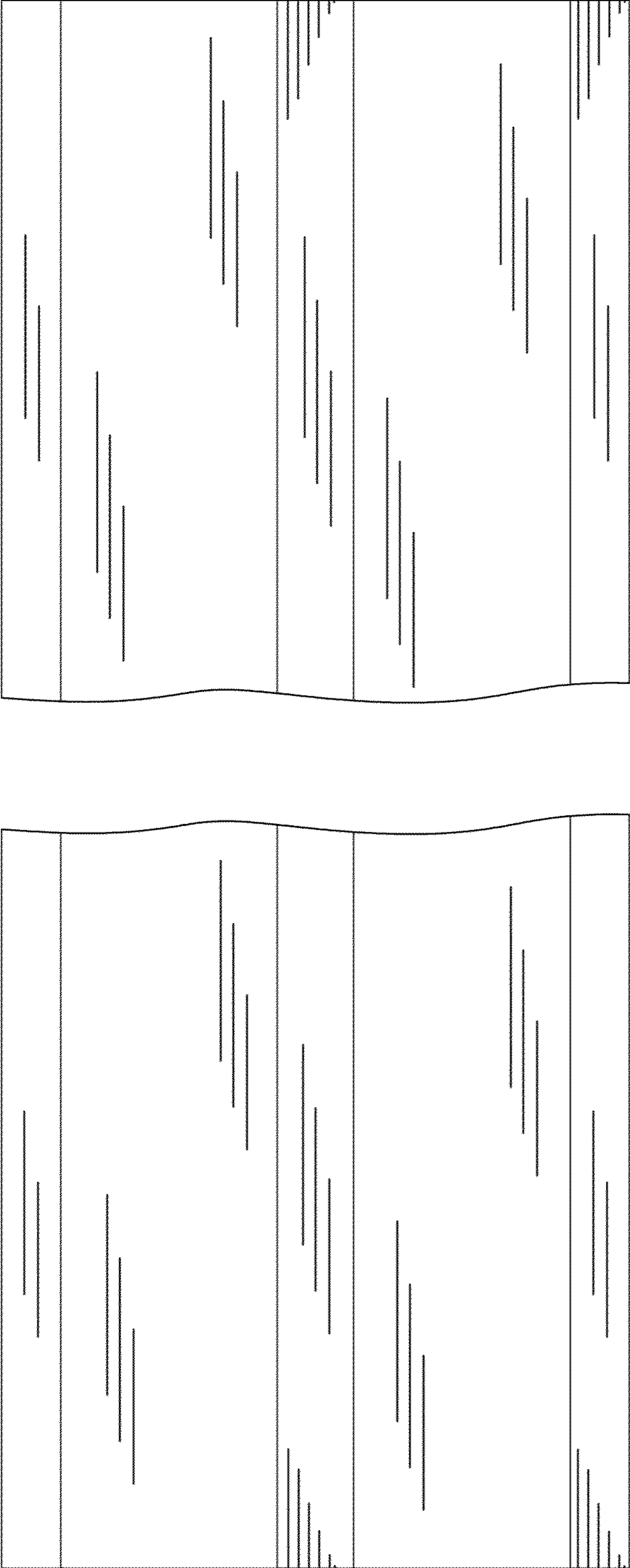


FIG. 5

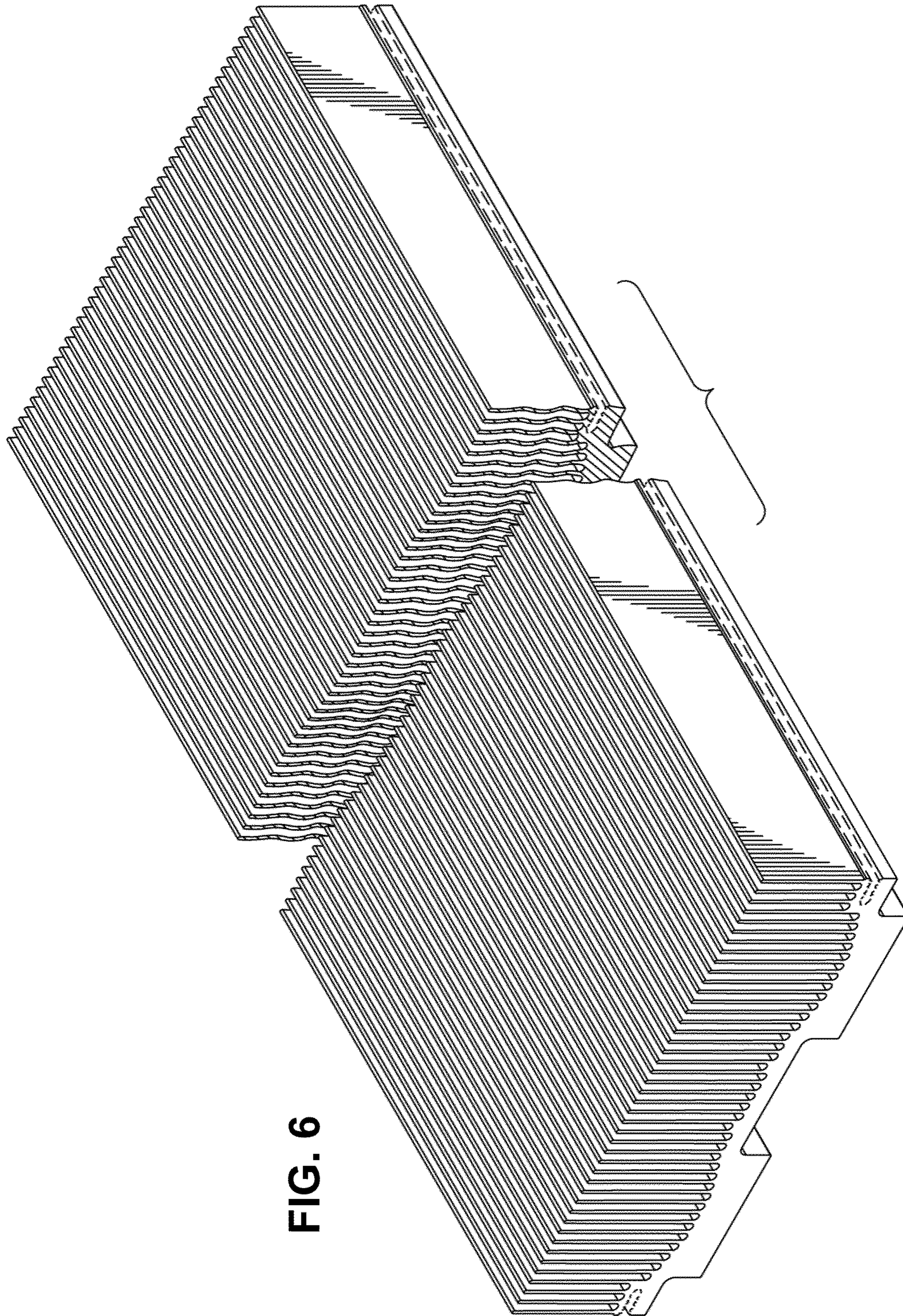


FIG. 6

FIG. 7

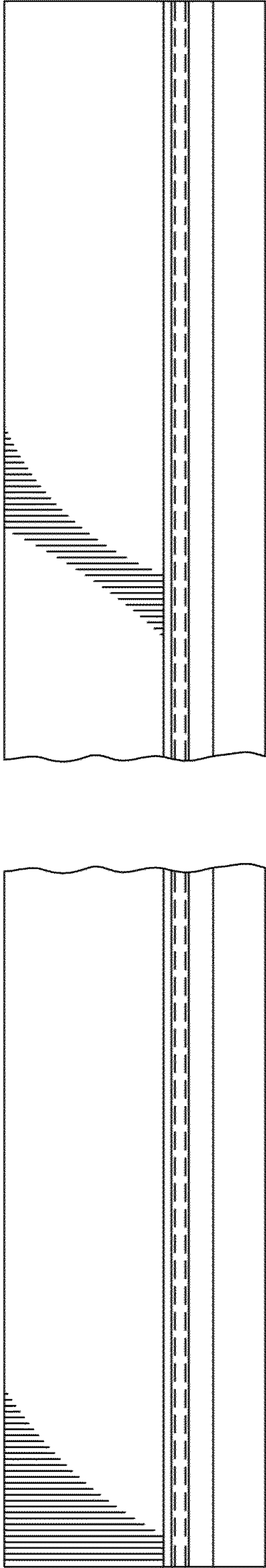
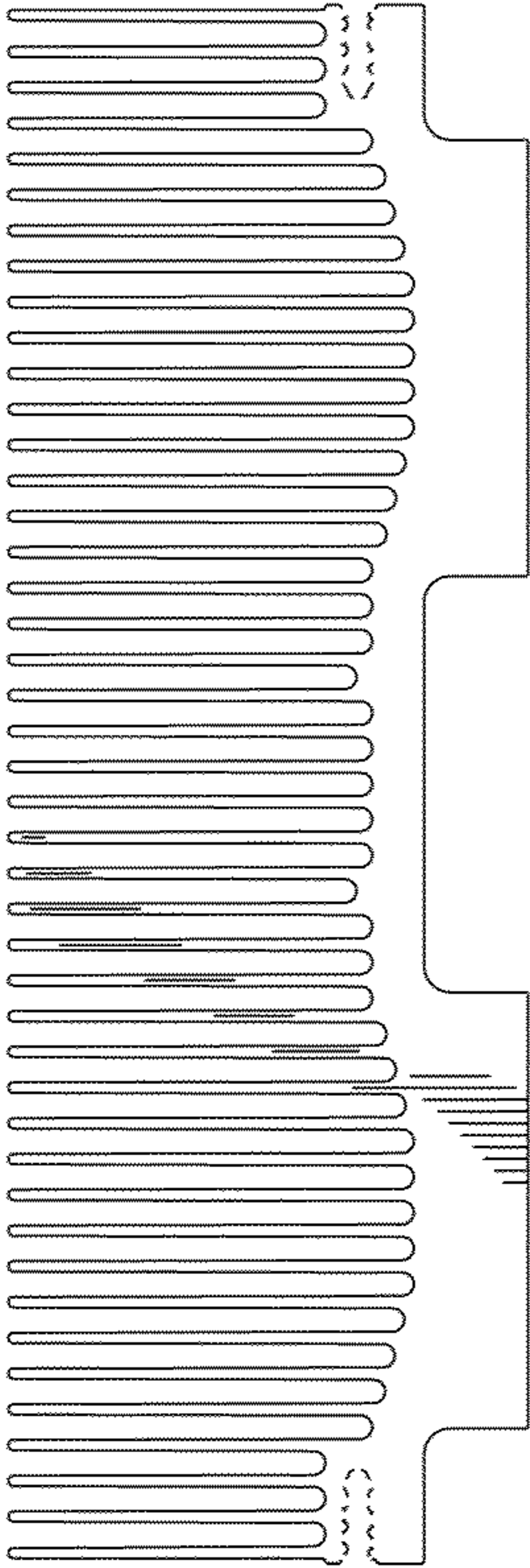


FIG. 8



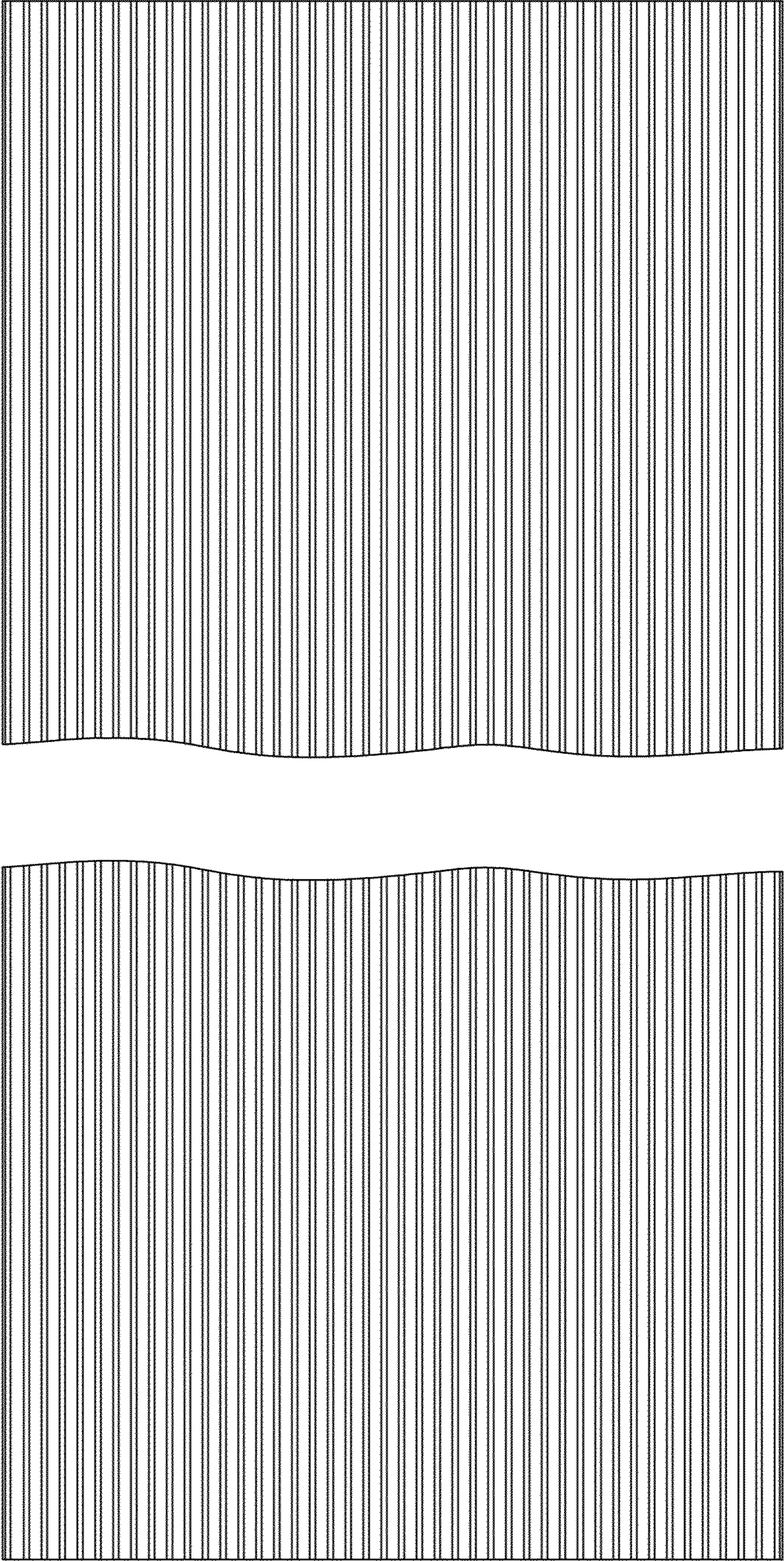


FIG. 9

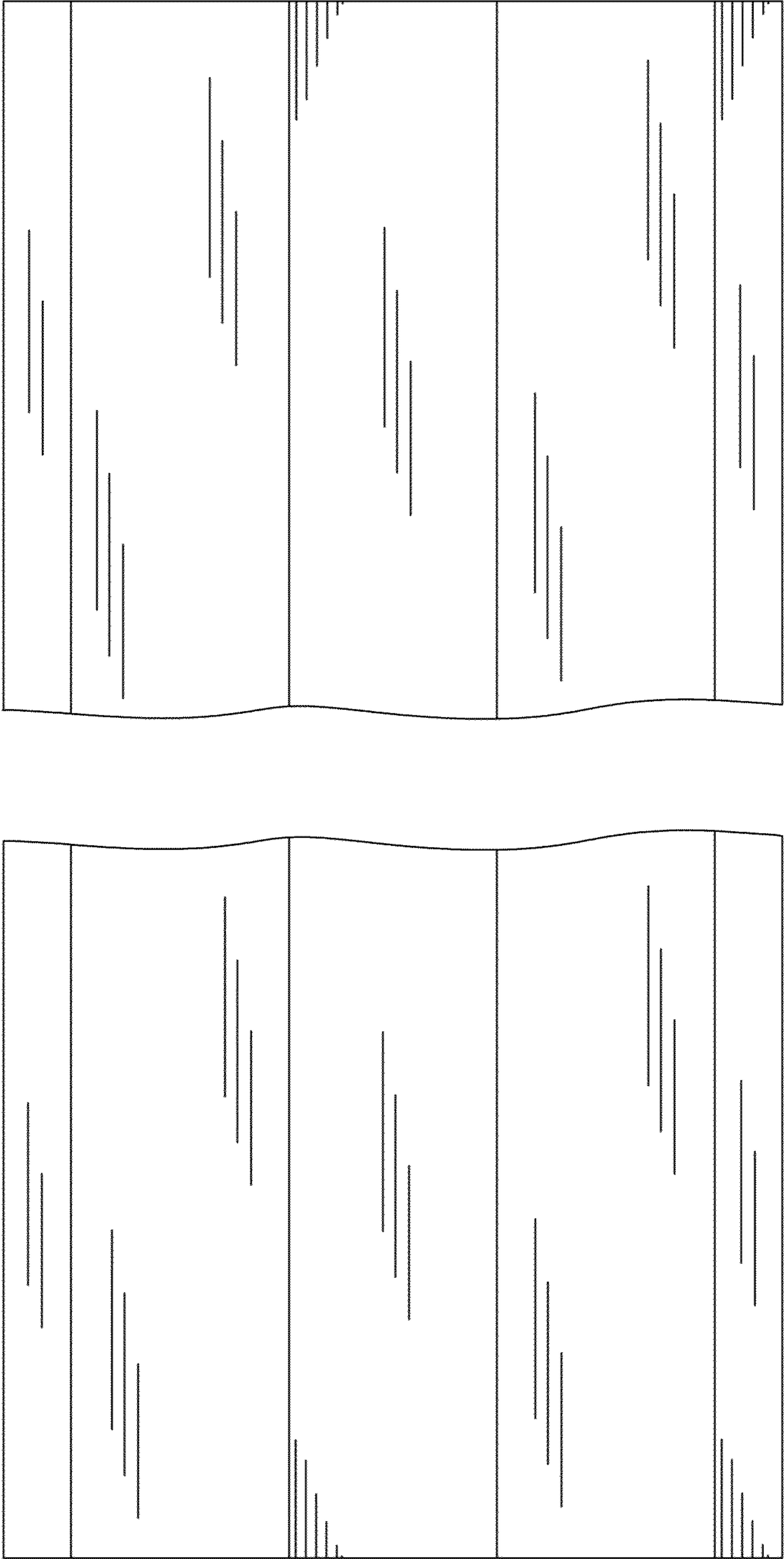


FIG. 10