



US00D698736S

(12) **United States Design Patent**
Sprenger et al.

(10) **Patent No.:** **US D698,736 S**

(45) **Date of Patent:** **** Feb. 4, 2014**

(54) **CABLE GLAND**

(76) Inventors: **Dennis Sprenger**, Horn-Bad Meinberg (DE); **Jens Andresen**, Blomberg (DE); **Thorsten Diessel**, Hiddenhausen (DE)

(**) Term: **14 Years**

(21) Appl. No.: **29/415,916**

(22) Filed: **Mar. 15, 2012**

(30) **Foreign Application Priority Data**

Sep. 15, 2011 (EM) 001917899-0001
Sep. 15, 2011 (EM) 001917899-0002
Sep. 15, 2011 (EM) 001917899-0003
Sep. 15, 2011 (EM) 001917899-0004

(51) **LOC (10) Cl.** **13-03**

(52) **U.S. Cl.**
USPC **D13/155**

(58) **Field of Classification Search**
USPC D13/146, 147, 149, 153, 154, 155, 156, D13/157, 158, 160, 173, 184, 199; 439/94, 439/95, 97, 98, 100, 101, 108, 176, 210, 439/279, 152, 527, 533, 571, 574, 579, 594, 439/596, 597, 603; 174/19, 21 R, 21 JS, 24, 174/66, 67, 100, 652, 668, 659, 656, 654, 174/520, 559-563; 361/809, 829
See application file for complete search history.

(56) **References Cited**

U.S. PATENT DOCUMENTS

5,041,698 A * 8/1991 Takagi et al. 174/66
5,105,262 A * 4/1992 Grider 257/710

5,997,332 A * 12/1999 Choy 439/328
6,004,163 A * 12/1999 Behling et al. 439/701
D419,960 S * 2/2000 Wu D13/147
D438,177 S * 2/2001 Rogers D13/199
D440,210 S * 4/2001 Larsen et al. D13/199
6,312,294 B1 * 11/2001 Lai 439/692
6,512,174 B2 * 1/2003 Mori et al. 174/520
6,731,517 B1 * 5/2004 Yu 361/807
7,298,630 B2 * 11/2007 Chen 361/818
7,714,237 B2 * 5/2010 Fabrizi et al. 174/563
2008/0057758 A1 * 3/2008 Walter et al. 439/108
2008/0205029 A1 * 8/2008 Fabrizi et al. 361/829
2009/0084573 A1 * 4/2009 Fabrizi 174/67

* cited by examiner

Primary Examiner — Derrick Holland

Assistant Examiner — Lauren Calve

(74) *Attorney, Agent, or Firm* — Nath, Goldberg & Meyer; Jerald L. Meyer; Scott C. Langford

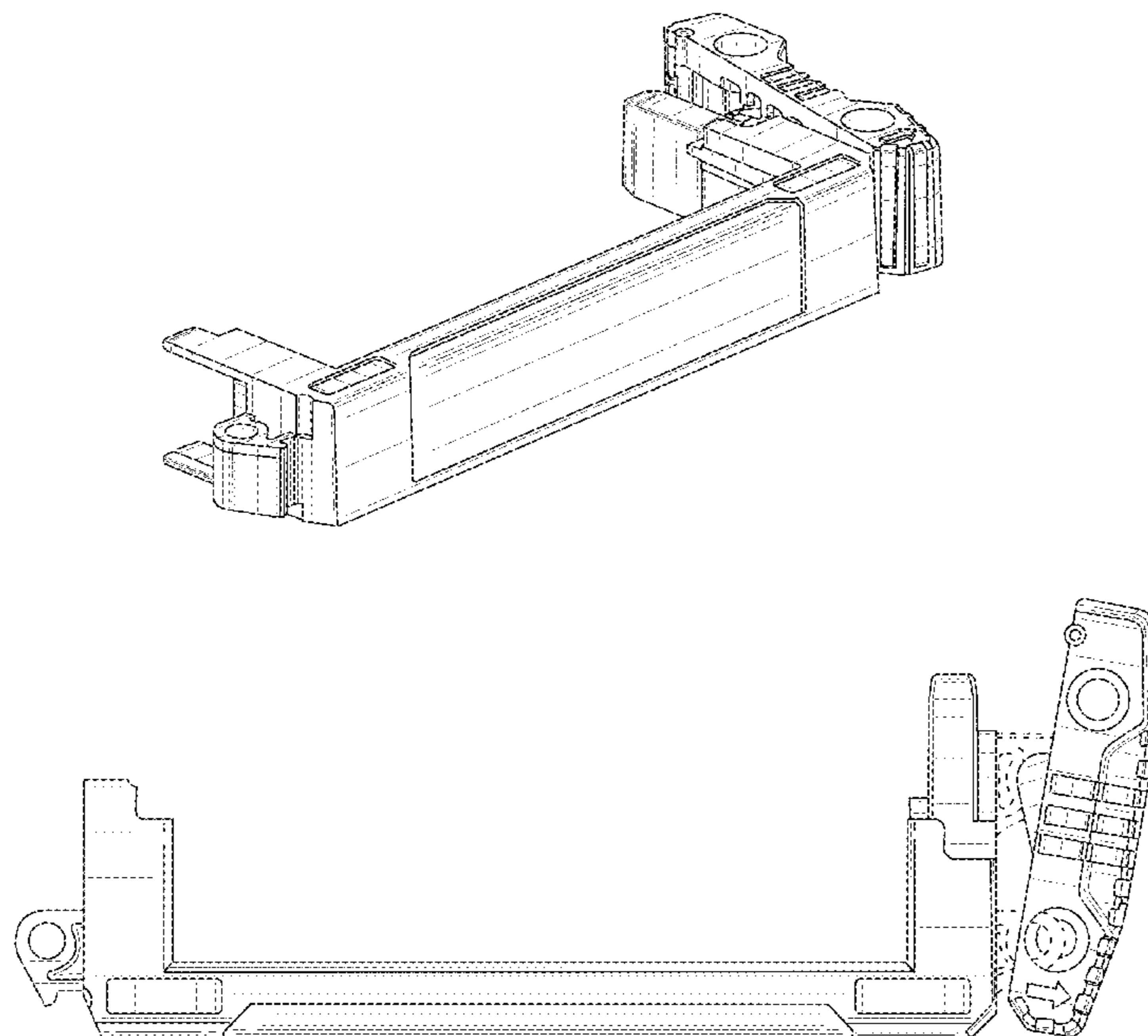
(57) **CLAIM**

The ornamental design for a cable gland, as shown and described.

DESCRIPTION

FIG. 1 is a top perspective view of a cable gland; FIG. 2 a bottom perspective view of the cable gland; FIG. 3 is a top view of the cable gland; FIG. 4 is a bottom view of the cable gland; FIG. 5 is a front view of the cable gland; FIG. 6 is a rear view of the cable gland; and, FIG. 7 is a side view of the cable gland. The broken line showing of the cable gland represents unclaimed subject matter and forms no part of the claimed design.

1 Claim, 7 Drawing Sheets



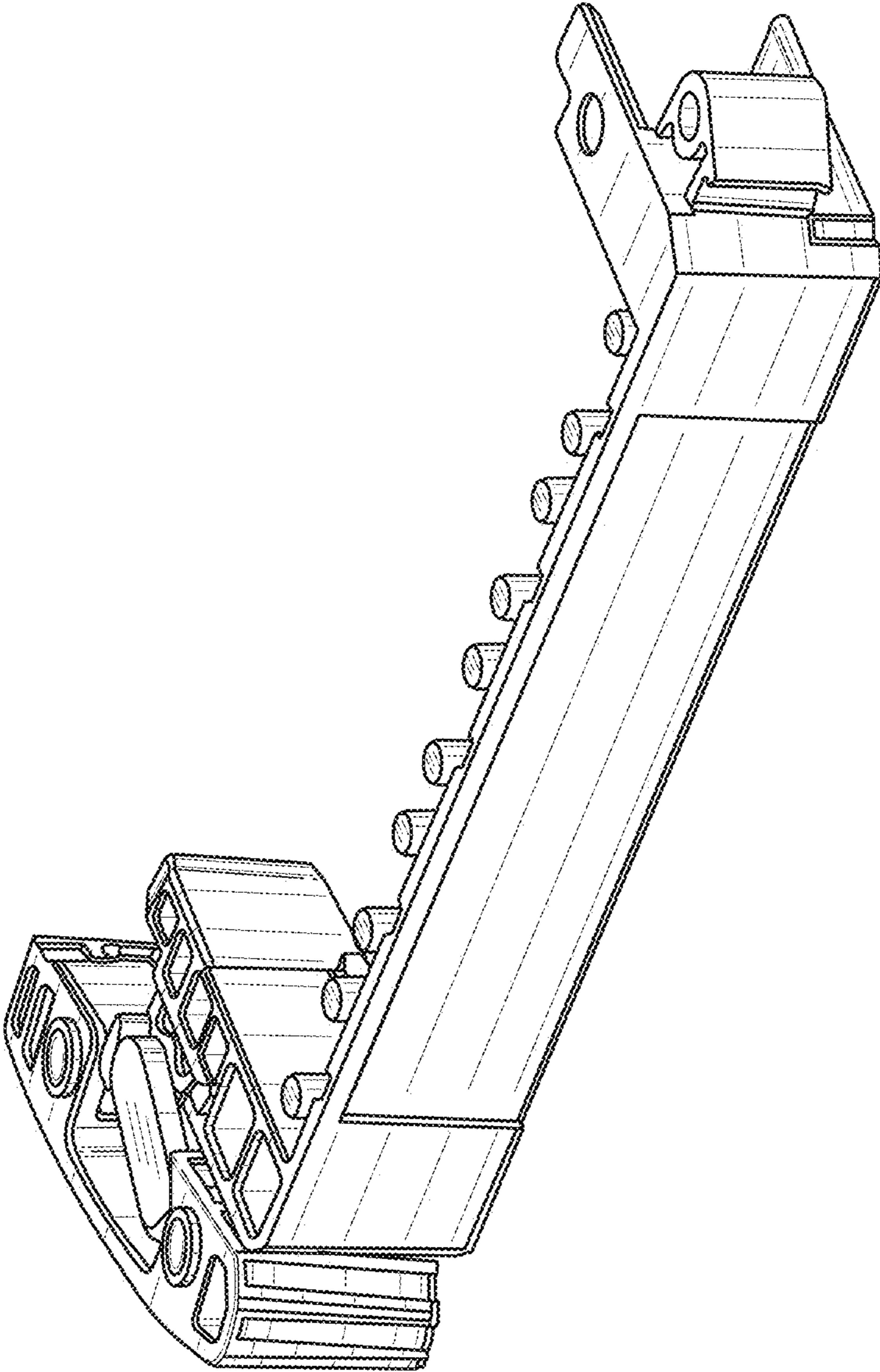


FIG. 1

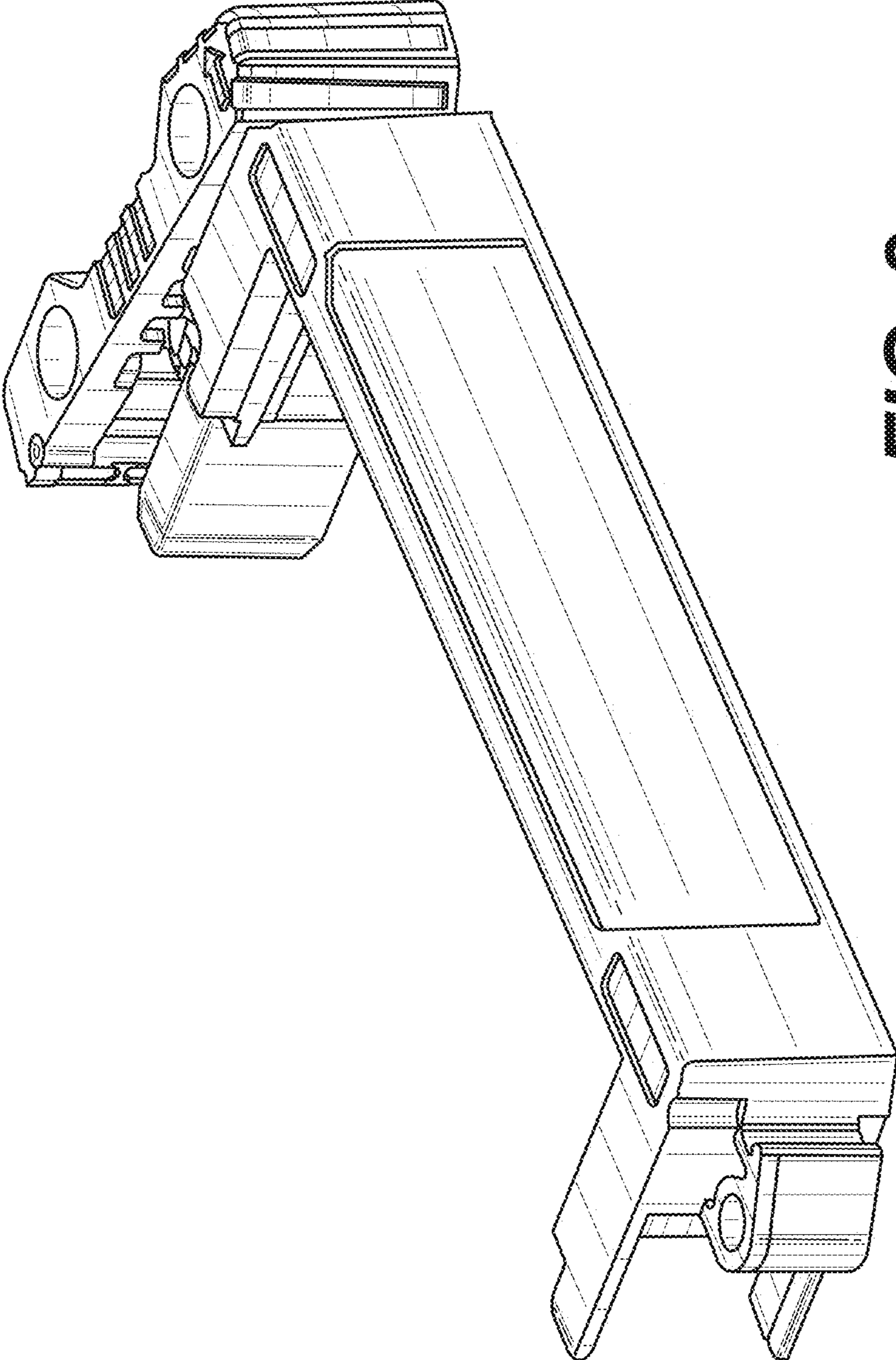


FIG. 2

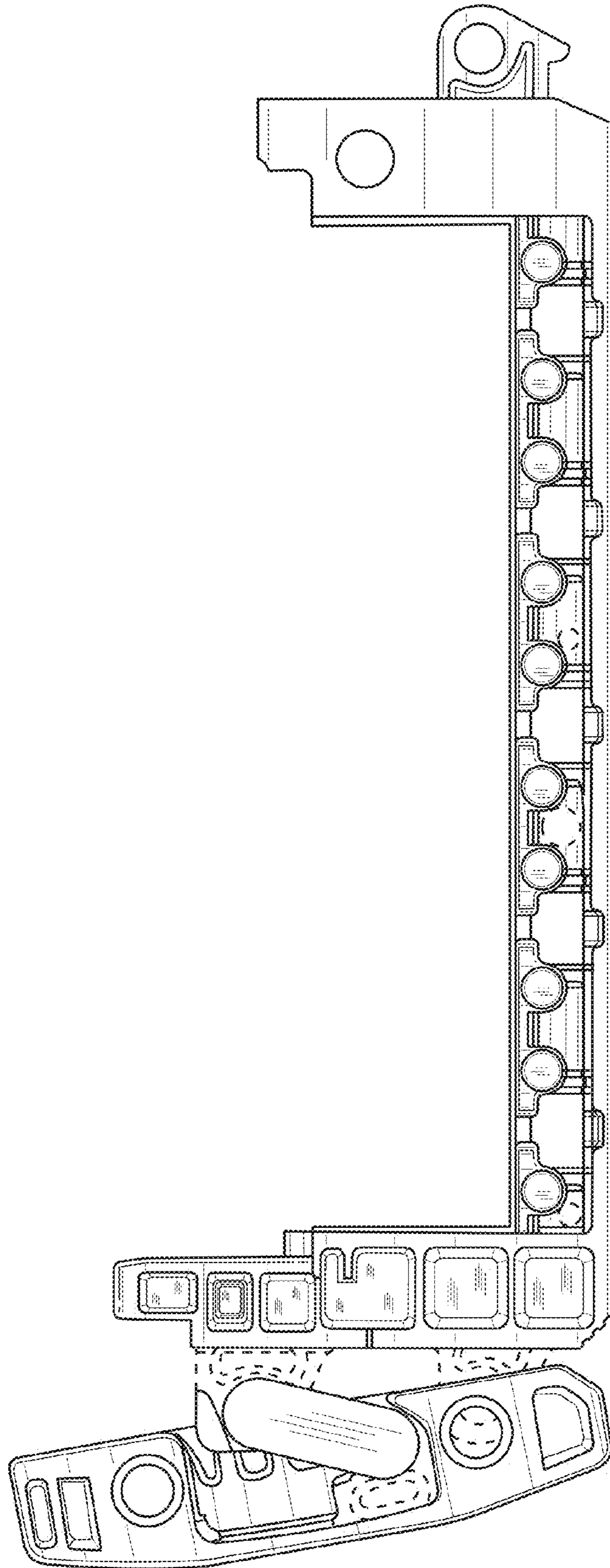


FIG. 3

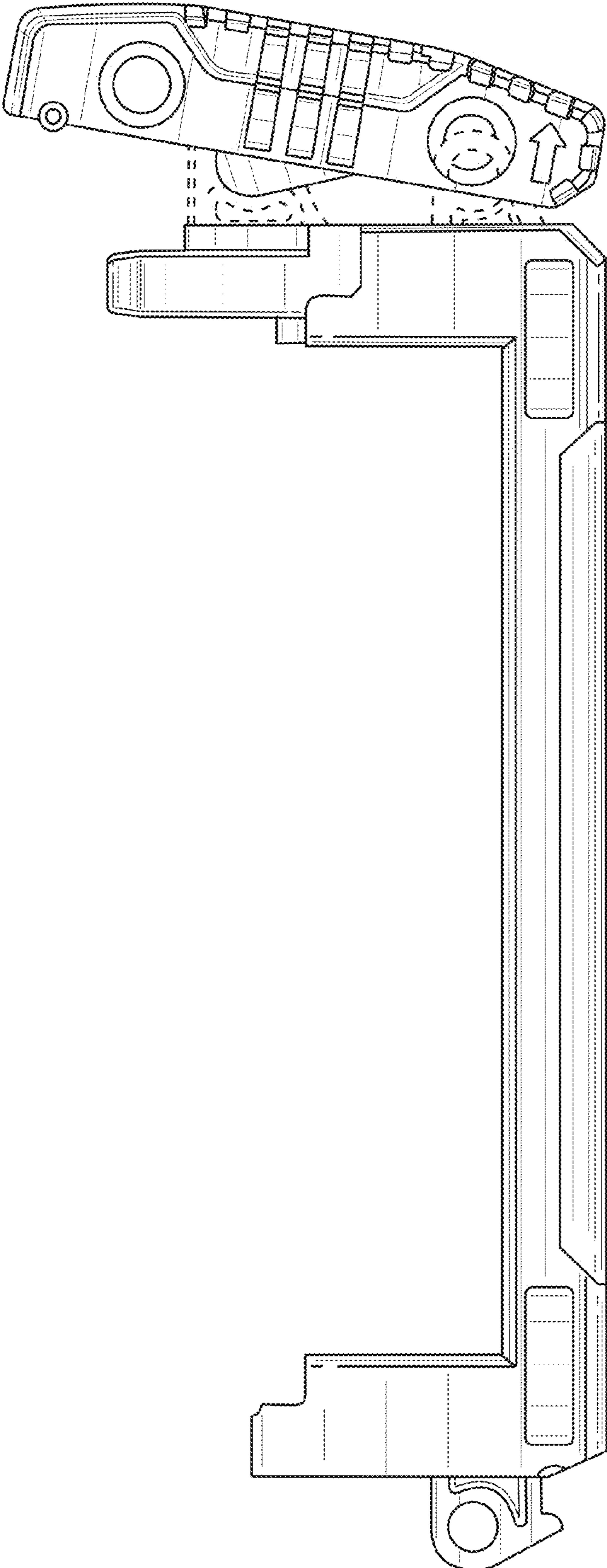


FIG. 4

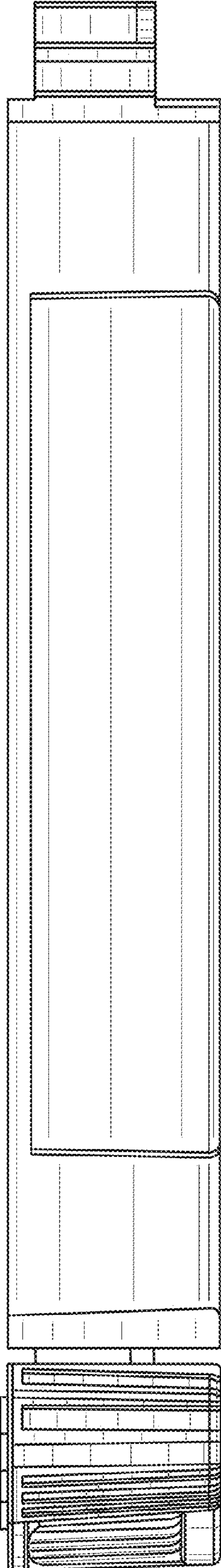


FIG. 5

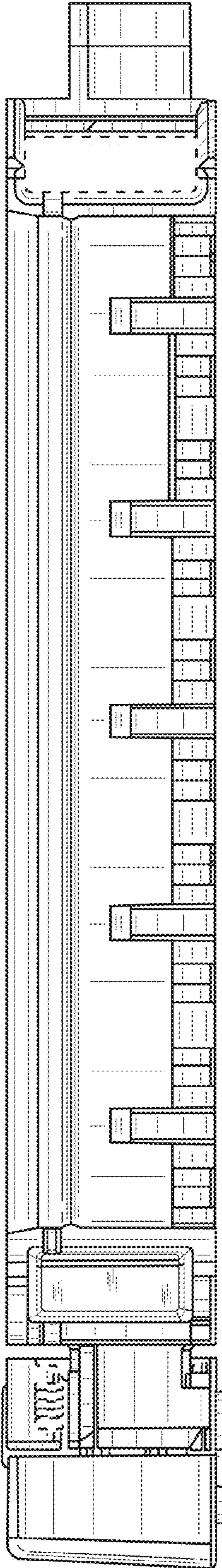


FIG. 6

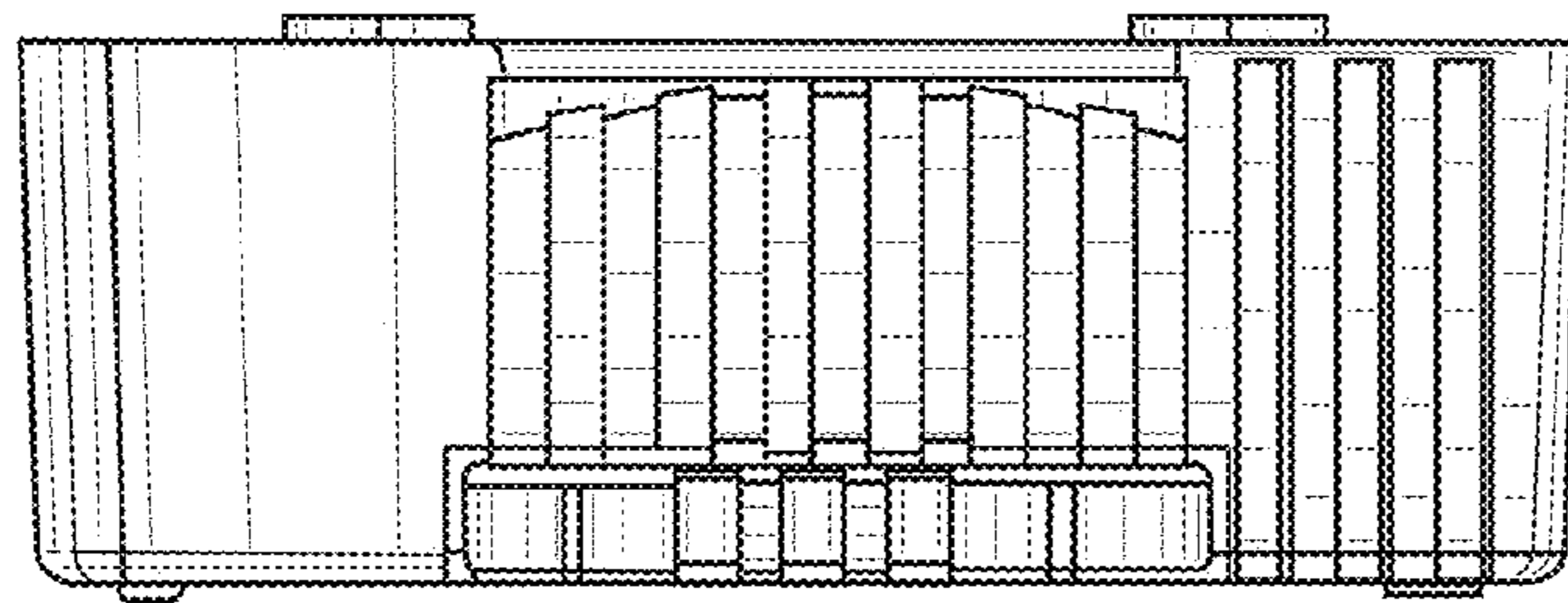


FIG. 7