

US00D698735S

(12) **United States Design Patent**
Sasada et al.

(10) **Patent No.:** **US D698,735 S**
(45) **Date of Patent:** **** Feb. 4, 2014**

(54) **ELECTRIC CONNECTOR**

(71) Applicant: **Hosiden Corporation**, Yao (JP)

(72) Inventors: **Kosuke Sasada**, Yao (JP); **Takayuki Nagata**, Yao (JP)

(73) Assignee: **Hosiden Corporation**, Osaka (JP)

(**) Term: **14 Years**

(21) Appl. No.: **29/455,818**

(22) Filed: **May 24, 2013**

(30) **Foreign Application Priority Data**

Nov. 28, 2012 (JP) 2012-029098

(51) **LOC (10) Cl.** **13-03**

(52) **U.S. Cl.**
USPC **D13/147**

(58) **Field of Classification Search**
USPC D13/147, 154, 184, 199; 439/64, 79,
439/159-160, 330, 331, 341, 342, 629, 630,
439/636, 660, 607.01, 607.04, 607.05,
439/607.17, 607.25, 607.34, 607.41,
439/607.53, 862, 884, 946

See application file for complete search history.

(56) **References Cited**

U.S. PATENT DOCUMENTS

6,409,546	B1 *	6/2002	Ito et al.	439/630
6,929,513	B2 *	8/2005	Fan	439/630
D518,783	S *	4/2006	Takagi et al.	D13/147
7,090,536	B2 *	8/2006	Choy	439/630
D544,842	S *	6/2007	Nishio et al.	D13/147
7,255,604	B2 *	8/2007	Tanaka et al.	439/630
7,549,895	B2 *	6/2009	Kondo et al.	439/579

* cited by examiner

Primary Examiner — Daniel Bui

(74) *Attorney, Agent, or Firm* — The Webb Law Firm

(57) **CLAIM**

The ornamental design for an electric connector, as shown and described.

DESCRIPTION

FIG. 1 is a front view of an electric connector showing our new design;
FIG. 2 is a rear view thereof;
FIG. 3 is a right side view thereof;
FIG. 4 is a top view thereof;
FIG. 5 is a bottom view thereof;
FIG. 6 is an upper right front perspective view thereof;
FIG. 7 is a lower left rear perspective view thereof; and,
FIG. 8 is a sectional view thereof taken on line 8-8 of FIG. 1.
A left side view is omitted because the left side view is symmetrical to the right side view.

1 Claim, 8 Drawing Sheets

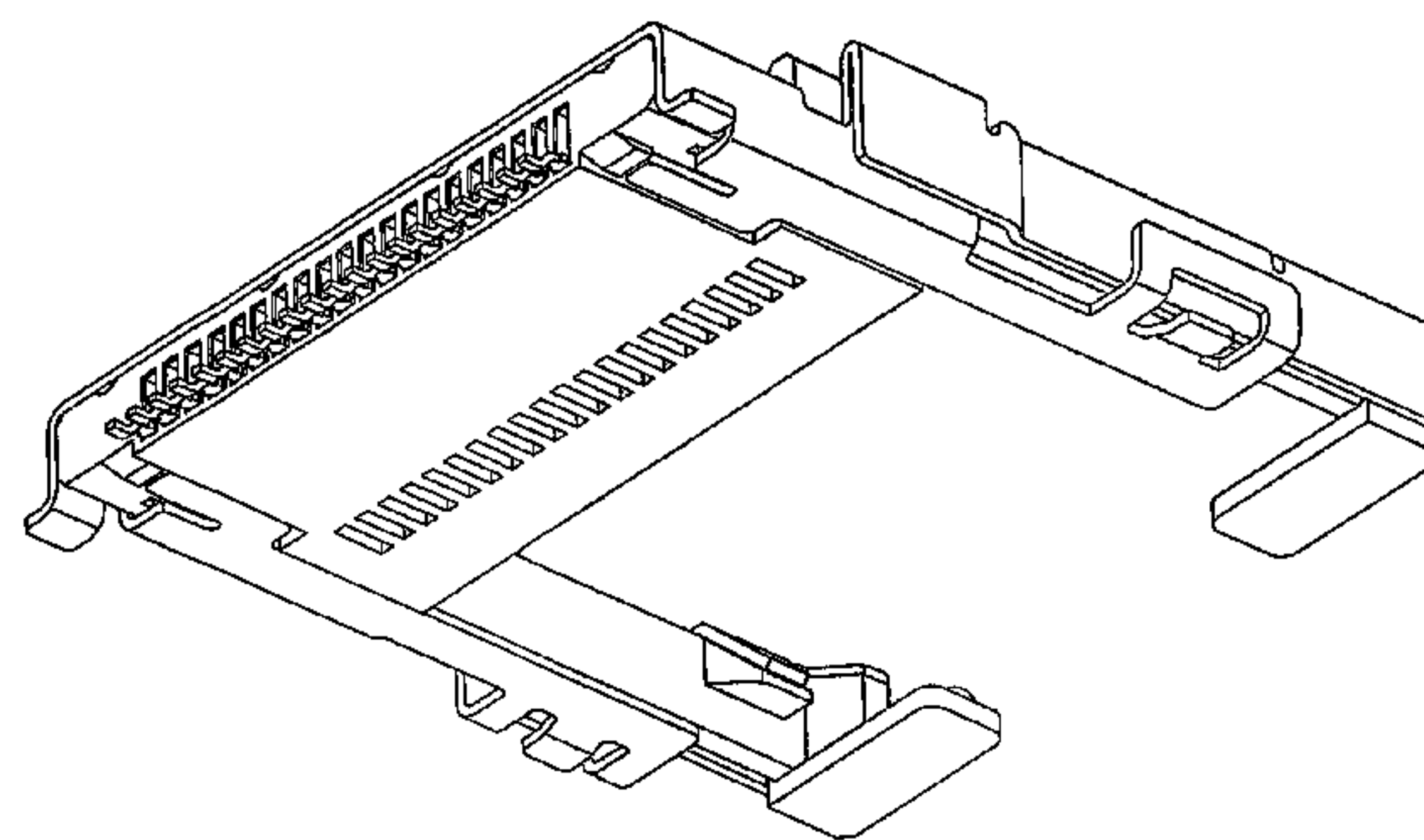
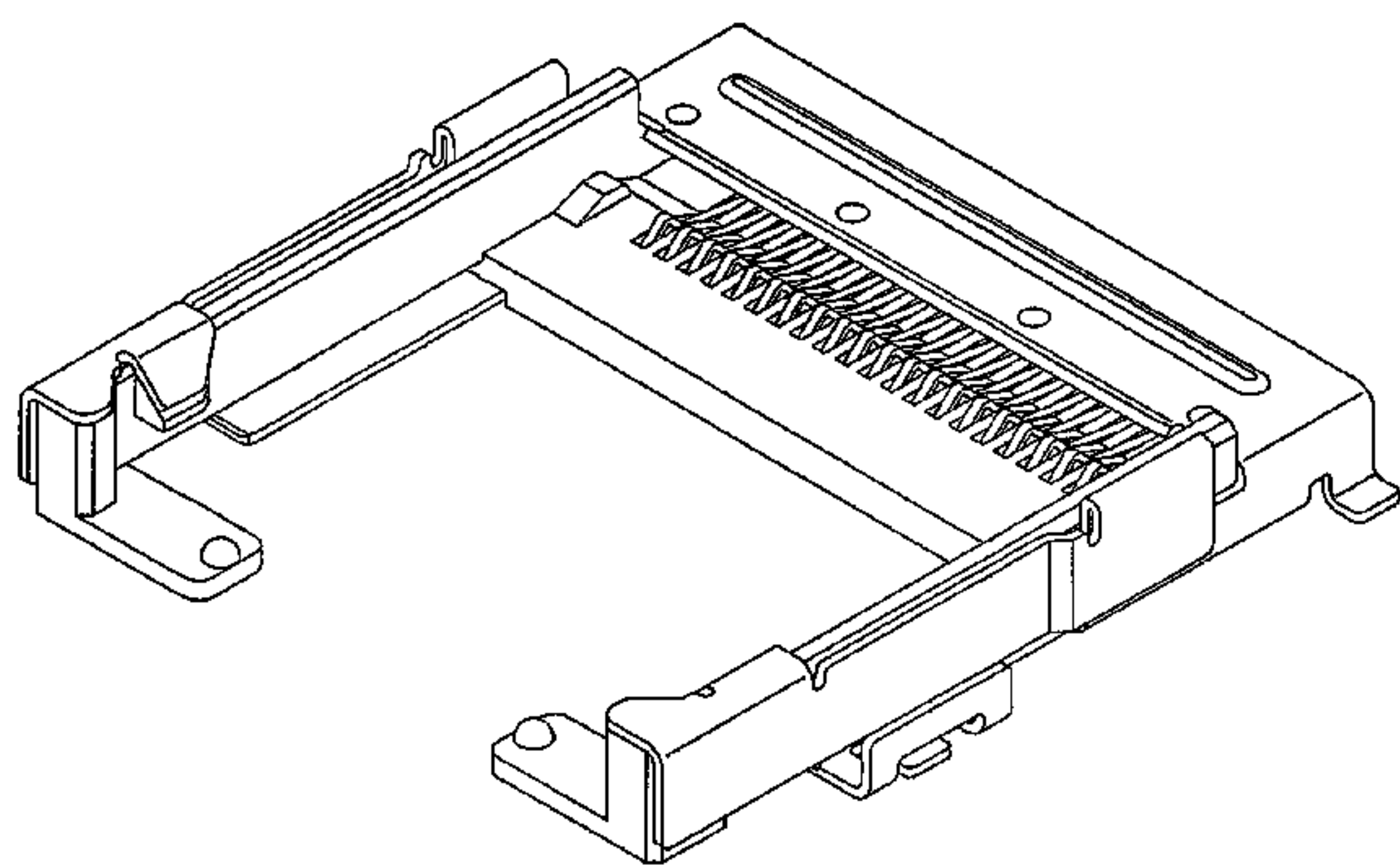
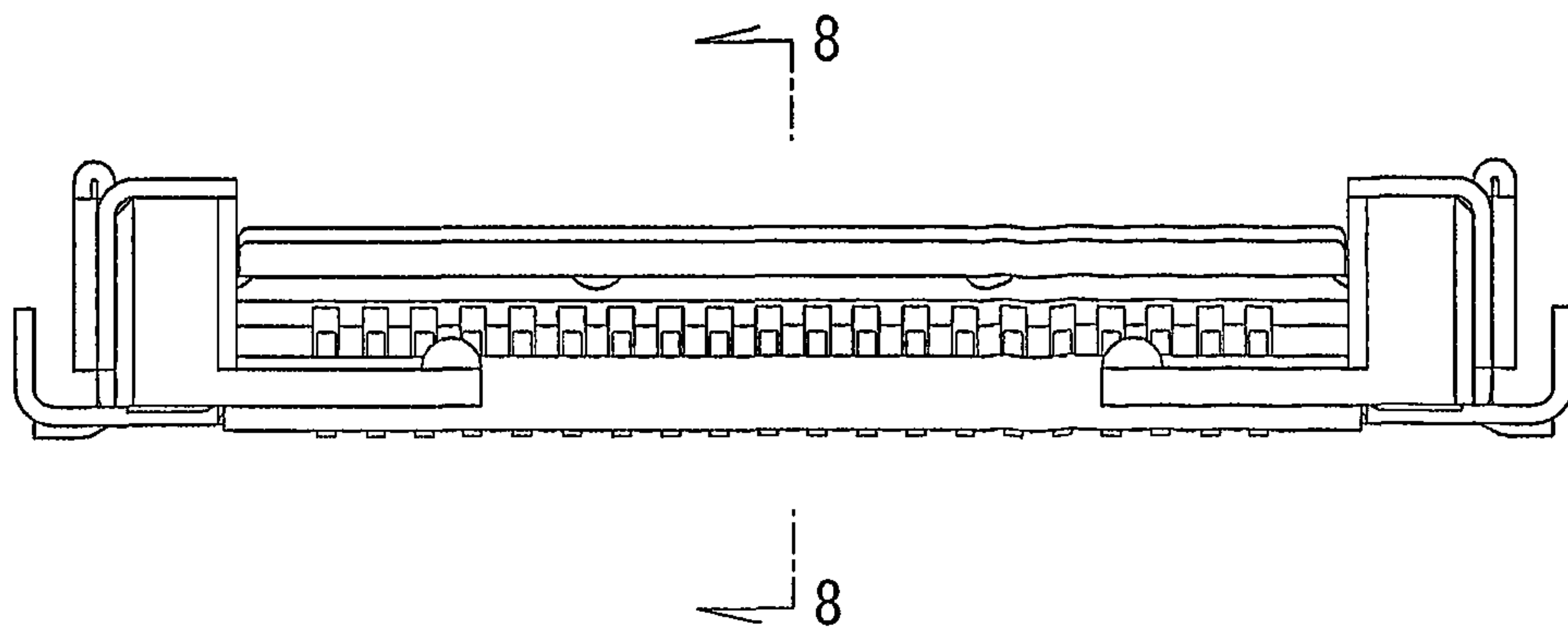
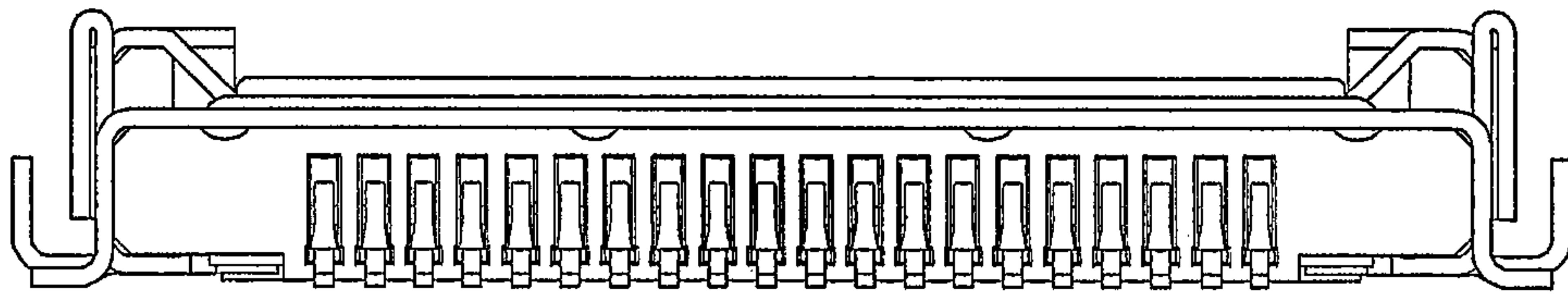


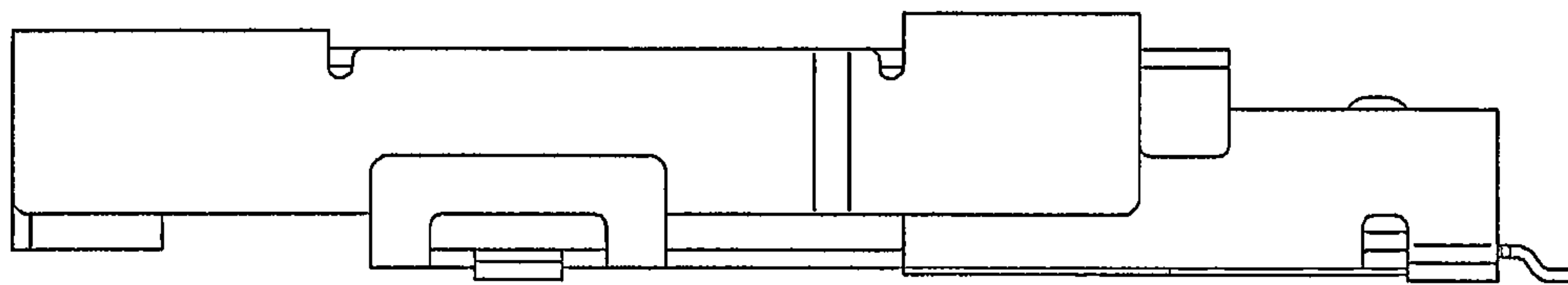
Fig. 1



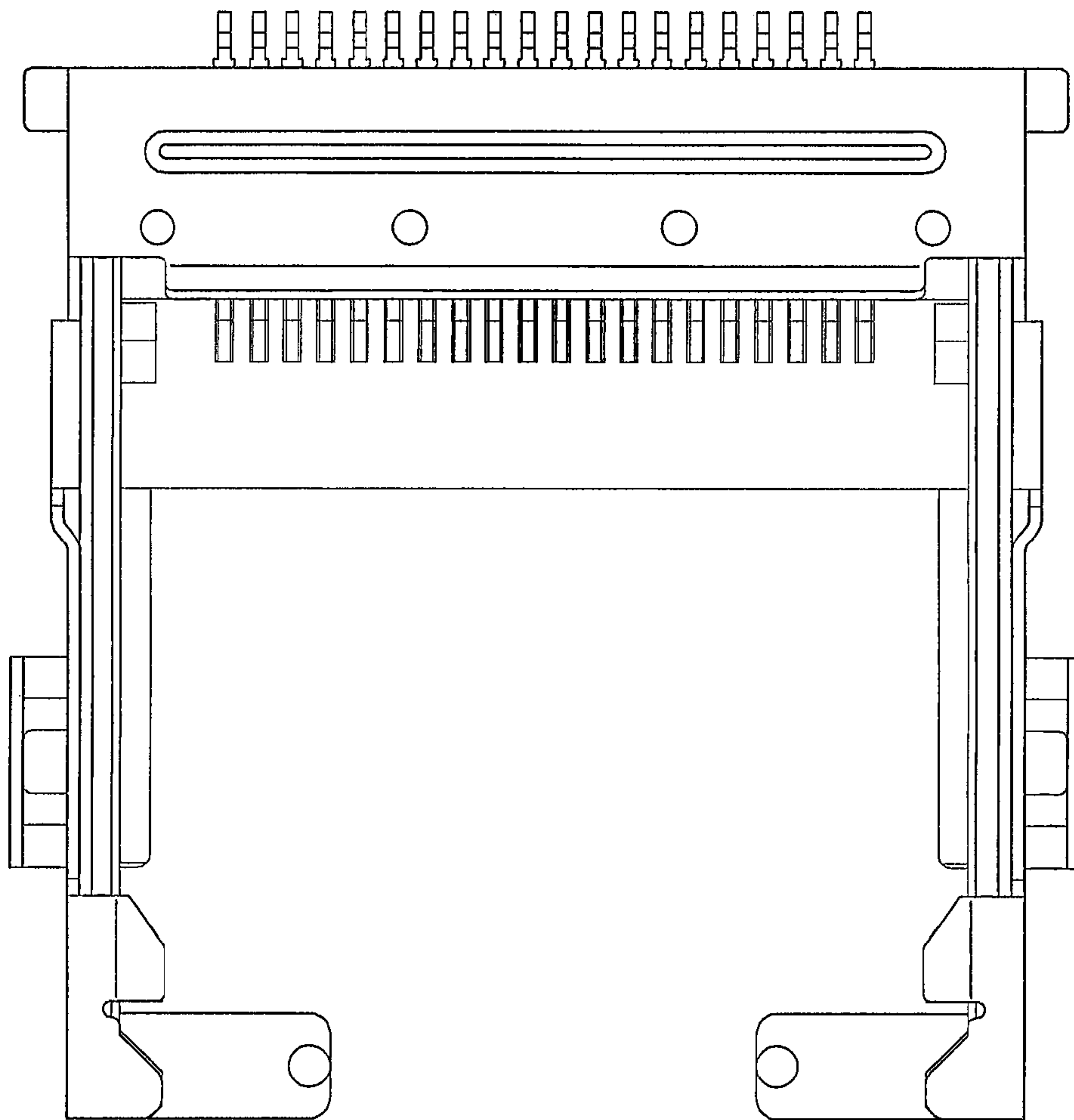
F i g . 2



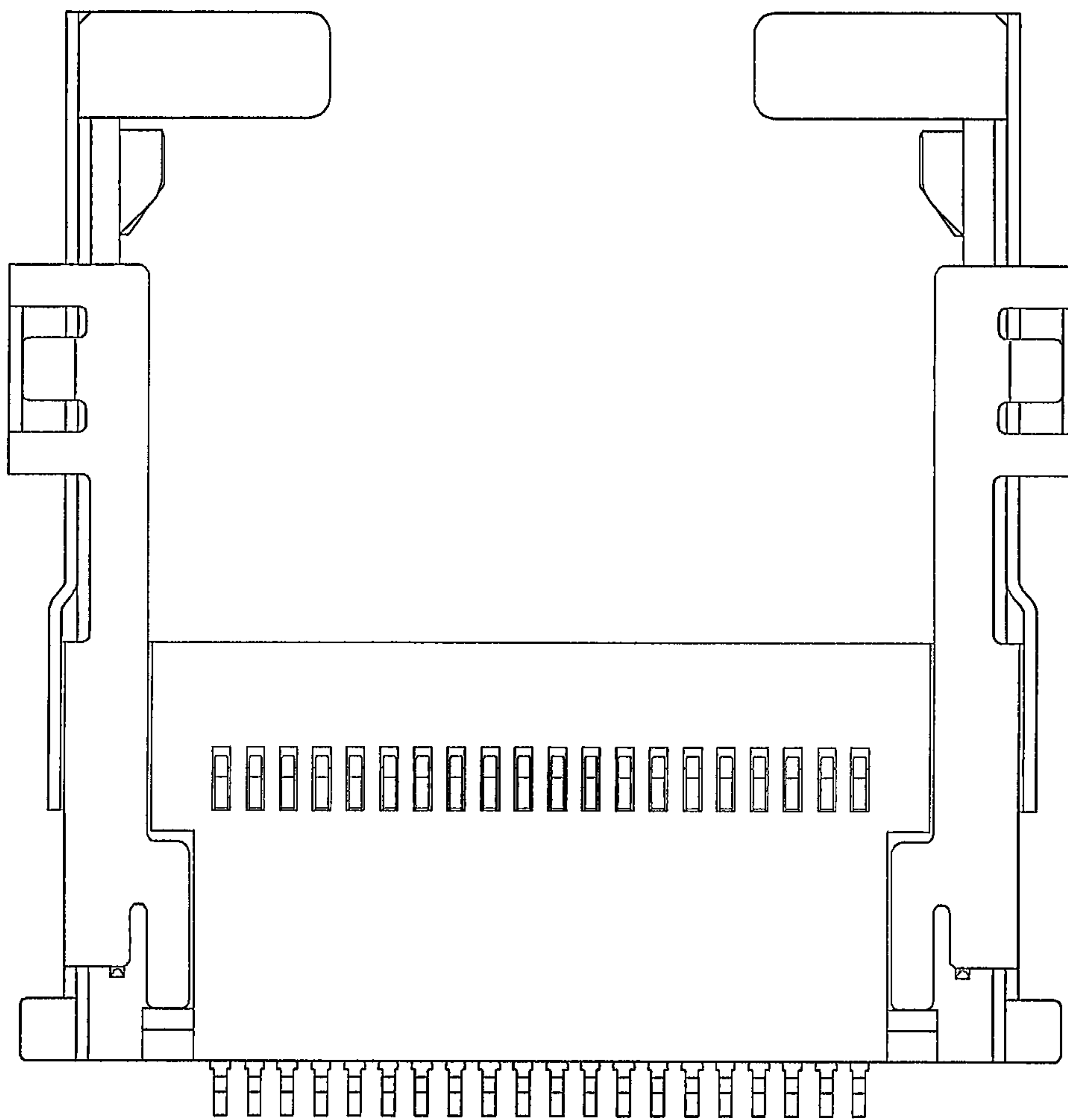
F i g . 3



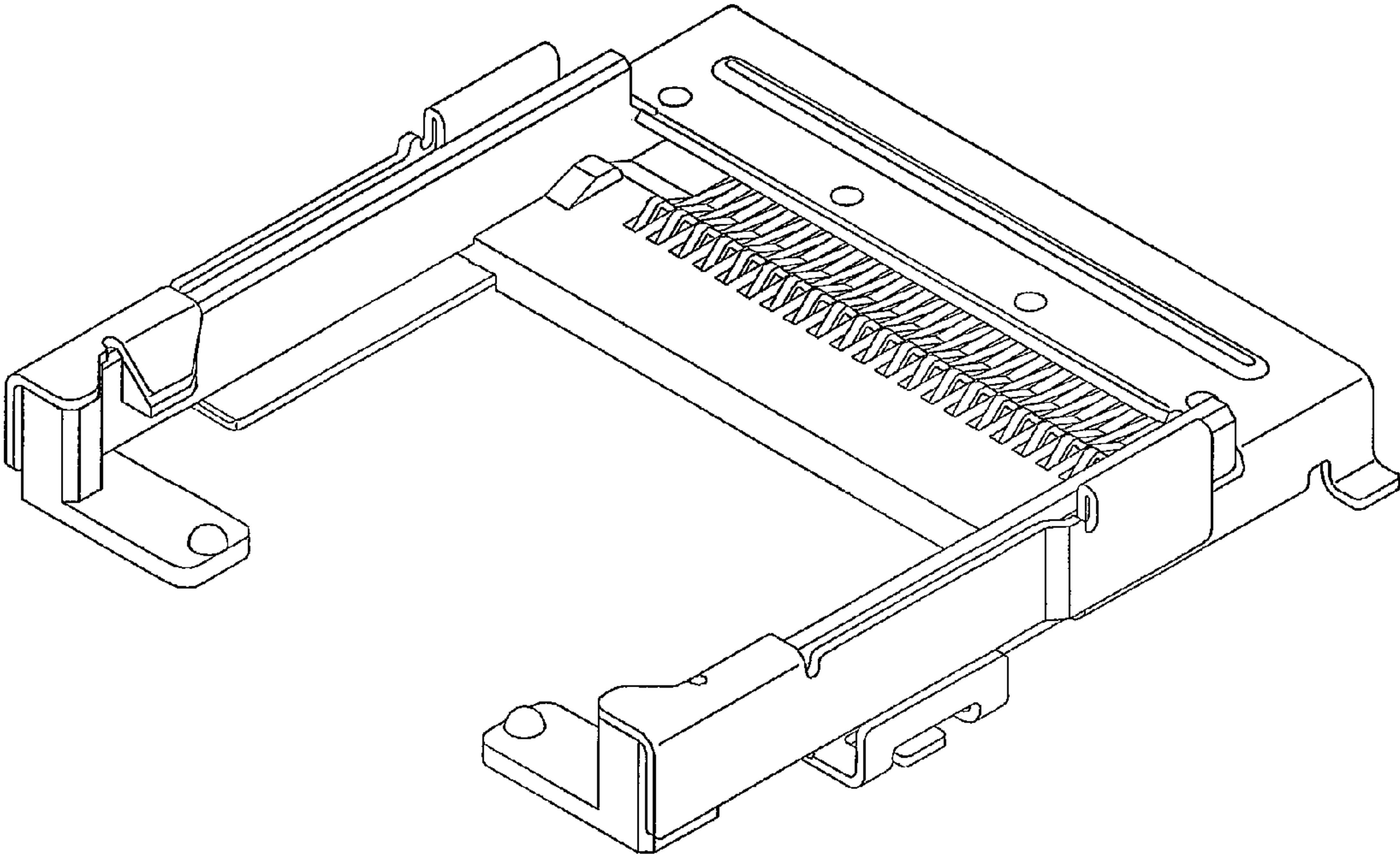
F i g . 4



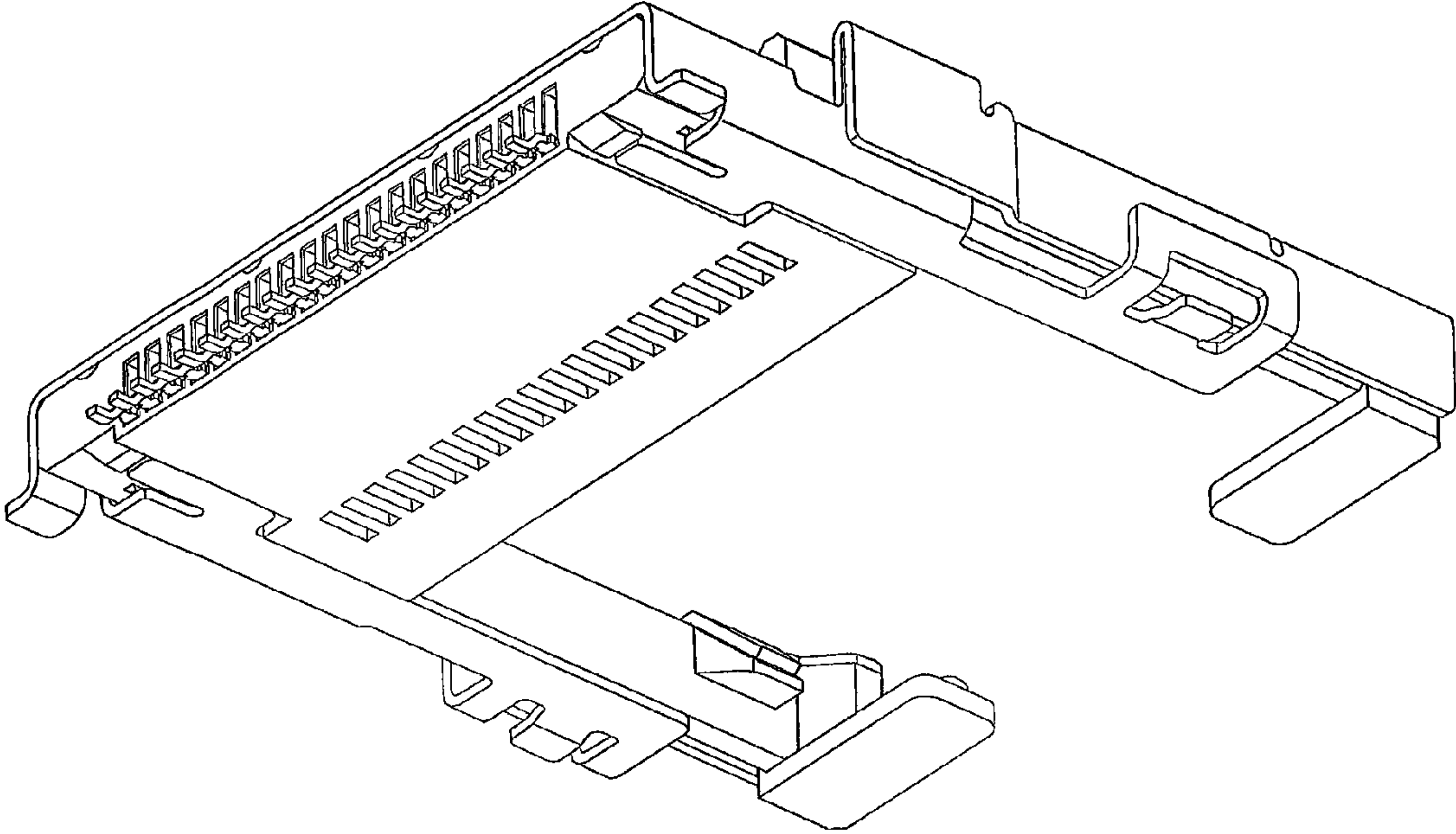
F i g . 5



F i g . 6



F i g . 7



F i g . 8

