

US00D698733S

(12) **United States Design Patent**  
**Yokoyama**

(10) **Patent No.:** **US D698,733 S**

(45) **Date of Patent:** **\*\* Feb. 4, 2014**

(54) **ELECTRICAL CONNECTOR**

(71) Applicant: **Japan Aviation Electronics Industry, Limited**, Tokyo (JP)

(72) Inventor: **Yohei Yokoyama**, Tokyo (JP)

(73) Assignee: **Japan Aviation Electronics Industry, Limited**, Tokyo (JP)

(\*\*) Term: **14 Years**

(21) Appl. No.: **29/445,461**

(22) Filed: **Feb. 12, 2013**

(30) **Foreign Application Priority Data**

Aug. 22, 2012 (JP) ..... 2012-020061

(51) **LOC (10) Cl.** ..... **13-03**

(52) **U.S. Cl.**  
USPC ..... **D13/147**

(58) **Field of Classification Search**  
USPC ..... D13/147, 154, 184, 199; 439/79, 108,  
439/350, 353, 357, 378, 476.1, 489, 587,  
439/594, 595, 598, 607.01, 607.04, 607.05,  
439/607.17, 607.25, 607.34, 607.41,  
439/607.53, 656, 660, 668, 680, 711, 745,  
439/752

See application file for complete search history.

(56) **References Cited**

**U.S. PATENT DOCUMENTS**

D390,828 S \* 2/1998 Aramaki ..... D13/147  
D489,687 S \* 5/2004 Kawase et al. .... D13/147

D490,377 S \* 5/2004 Sato ..... D13/147  
D517,489 S \* 3/2006 Kawase et al. .... D13/147  
D607,411 S \* 1/2010 Hirakawa ..... D13/147  
D635,517 S \* 4/2011 Faith ..... D13/147  
D671,895 S \* 12/2012 Wang et al. .... D13/147  
D671,896 S \* 12/2012 Wang et al. .... D13/147  
D689,023 S \* 9/2013 Naito ..... D13/147

\* cited by examiner

*Primary Examiner* — Daniel Bui

(74) *Attorney, Agent, or Firm* — Westerman, Hattori, Daniels & Adrian, LLP

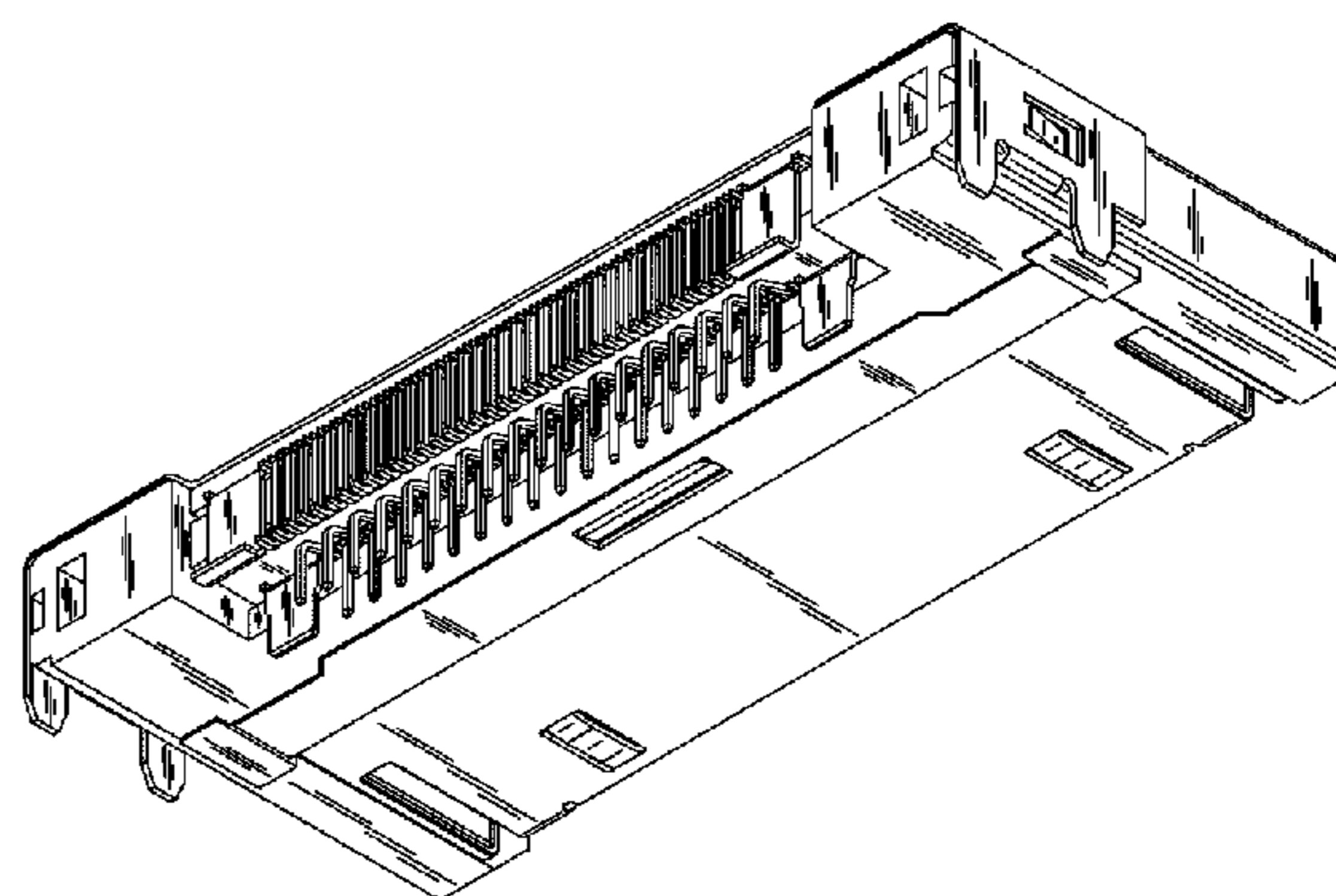
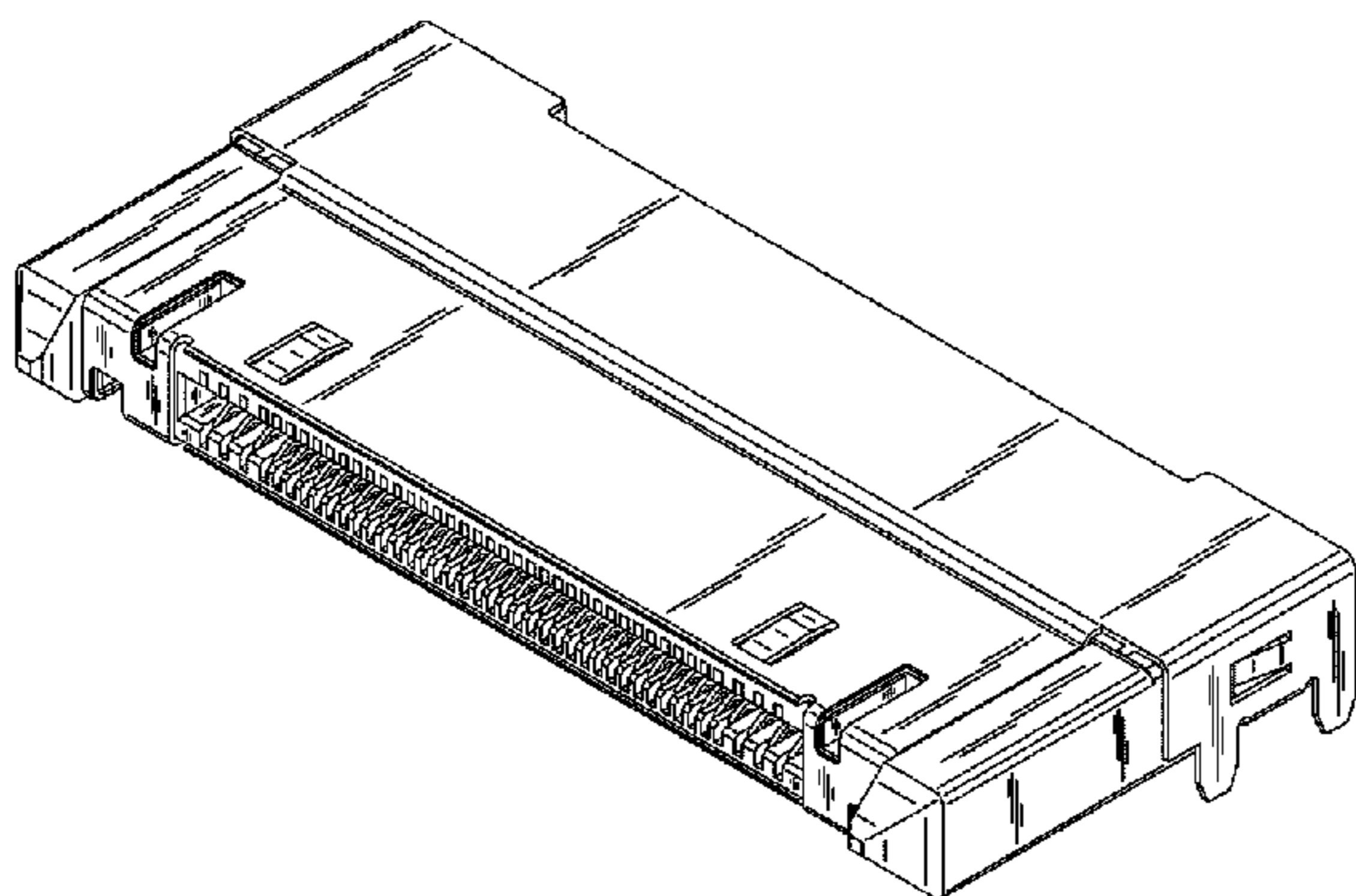
(57) **CLAIM**

The ornamental design for an electrical connector, as shown and described.

**DESCRIPTION**

FIG. 1 is a front elevational view of an electrical connector, showing my new design;  
FIG. 2 is a rear elevational view thereof;  
FIG. 3 is a right side elevational view thereof;  
FIG. 4 is a left side elevational view thereof;  
FIG. 5 is a top plan view thereof;  
FIG. 6 is a bottom plan view thereof;  
FIG. 7 is a right front perspective view showing the top thereof;  
FIG. 8 is a left rear perspective view showing the bottom thereof;  
FIG. 9 is a right front perspective view showing the bottom thereof; and,  
FIG. 10 is a left rear perspective view showing the top thereof.

**1 Claim, 10 Drawing Sheets**



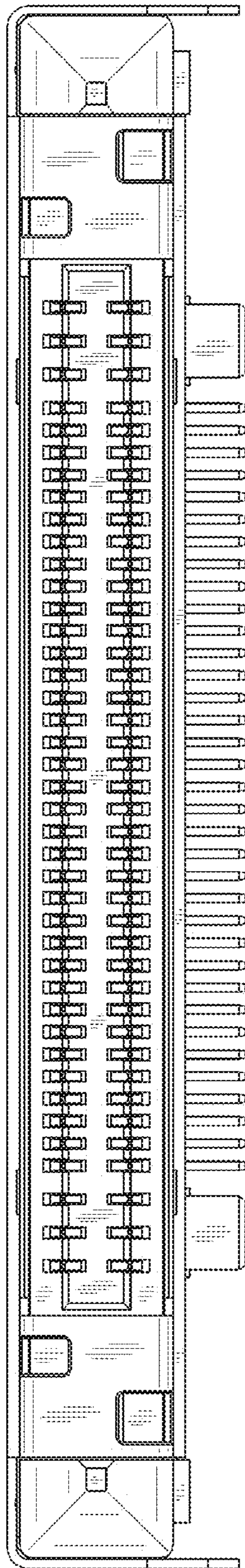


FIG.1

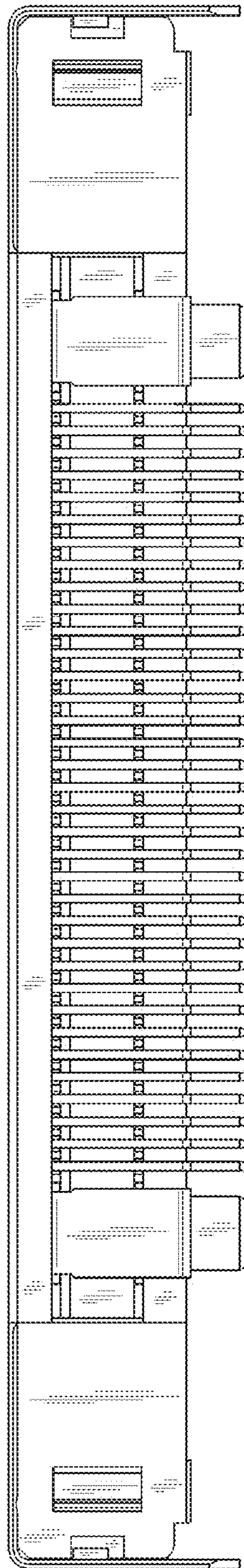


FIG.2

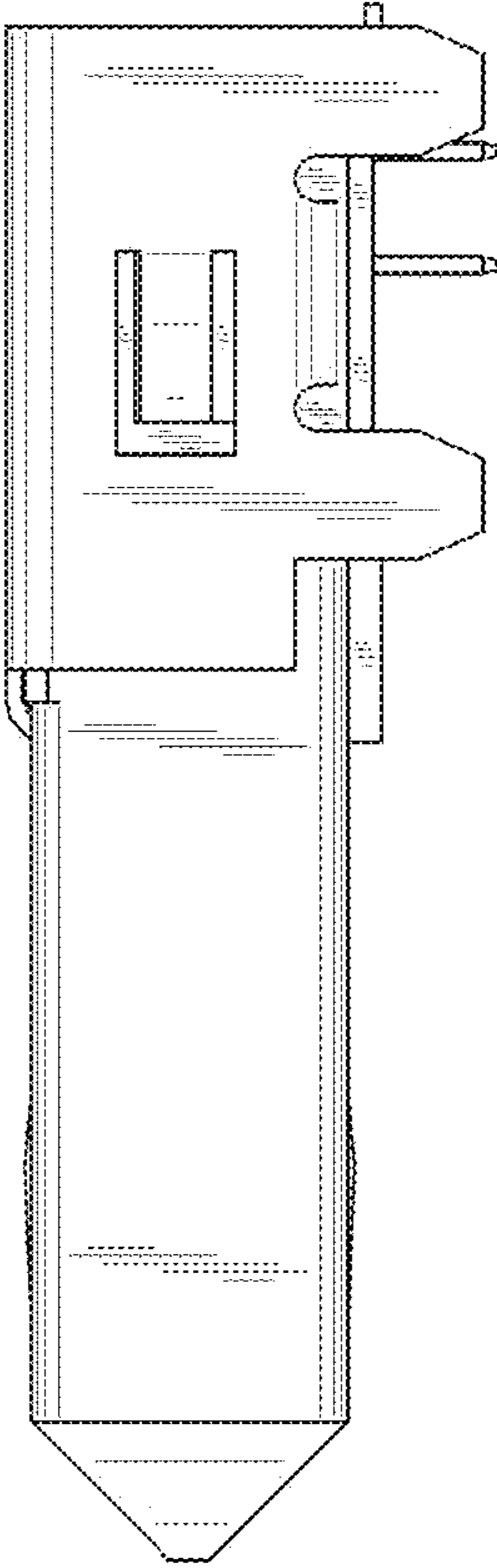


FIG. 3

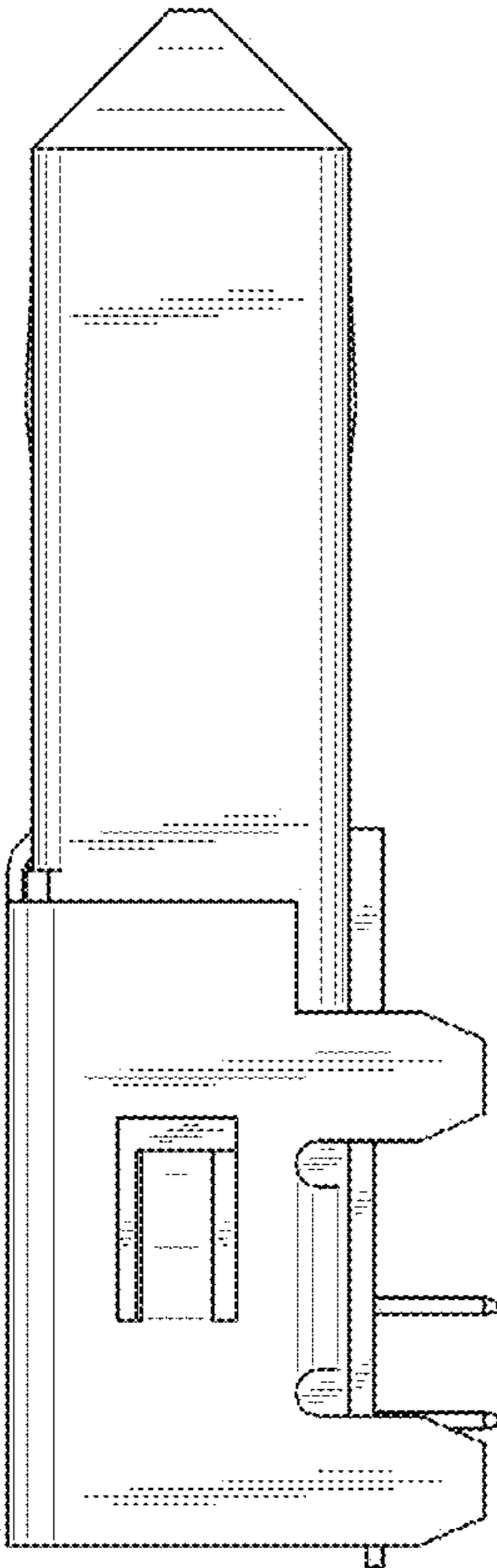


FIG.4

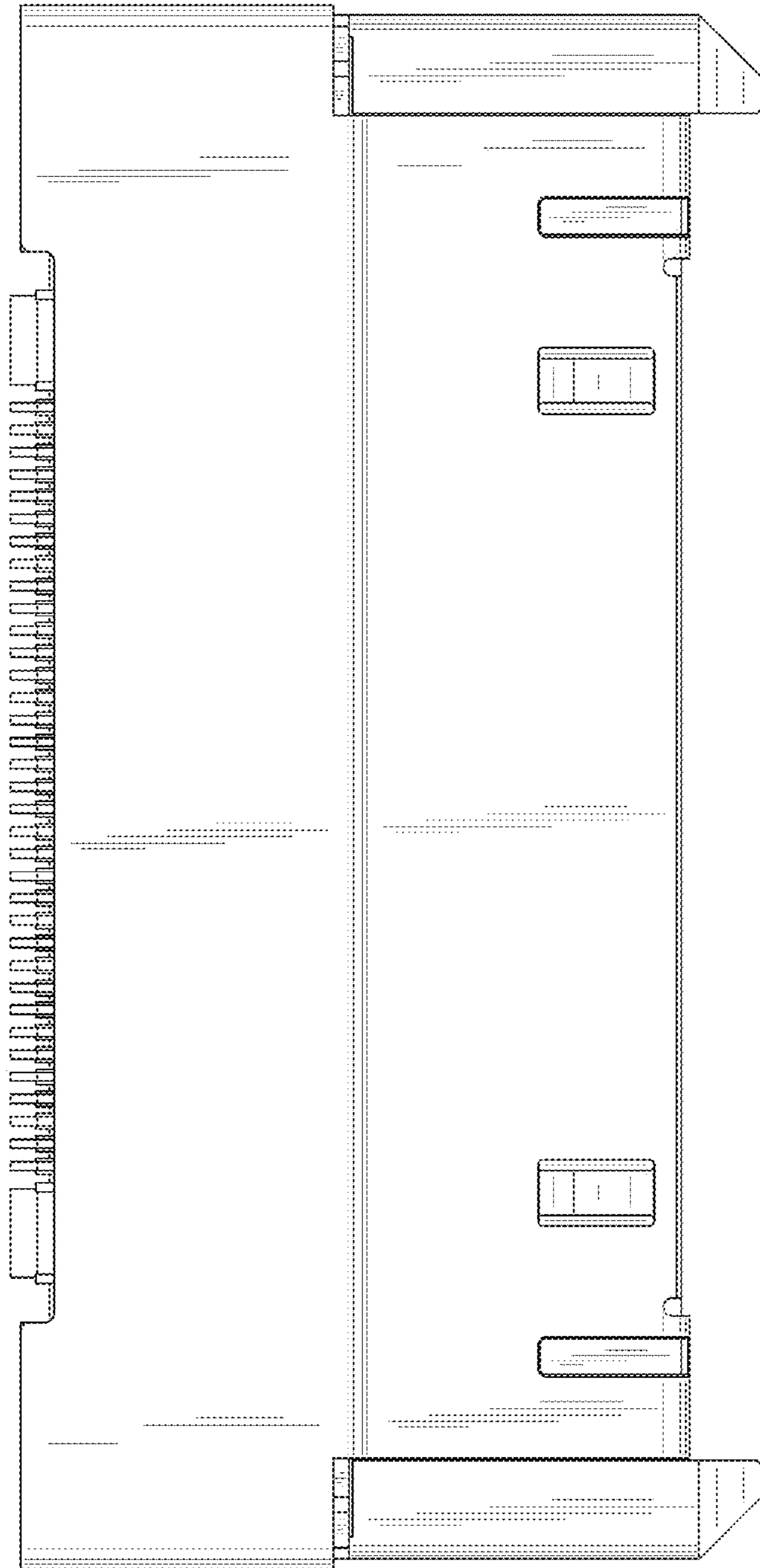


FIG.5

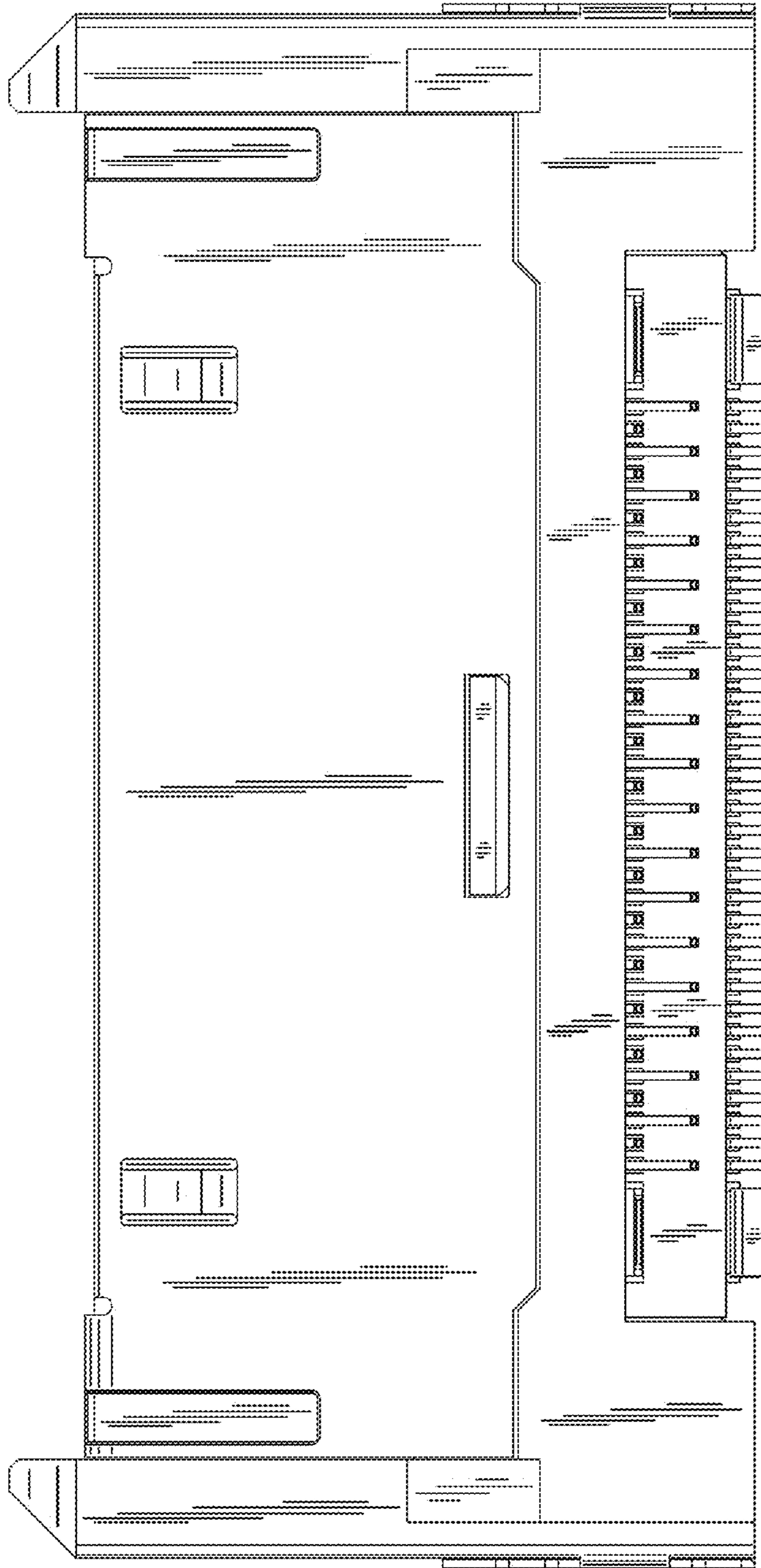


FIG. 6

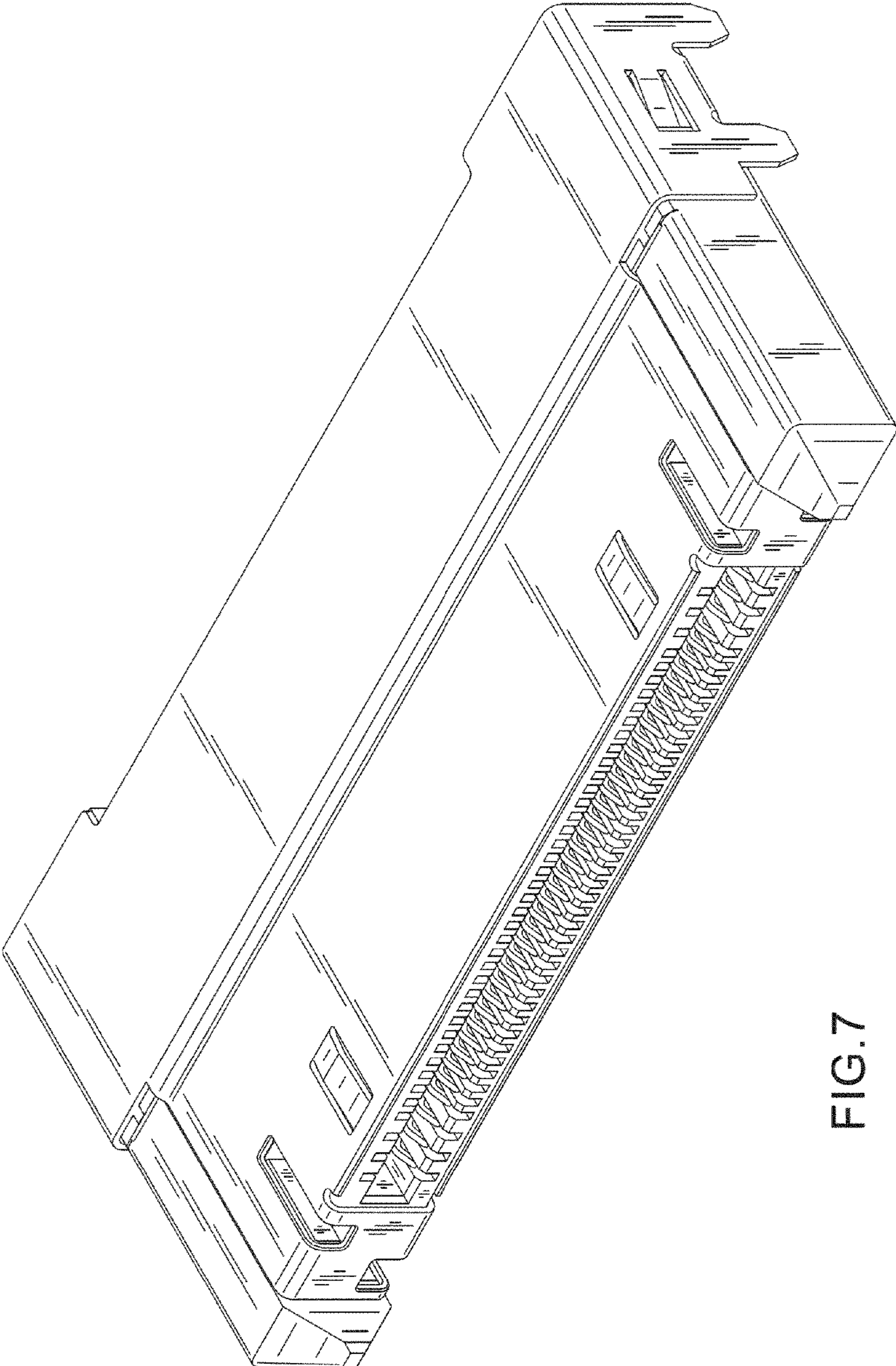


FIG.7



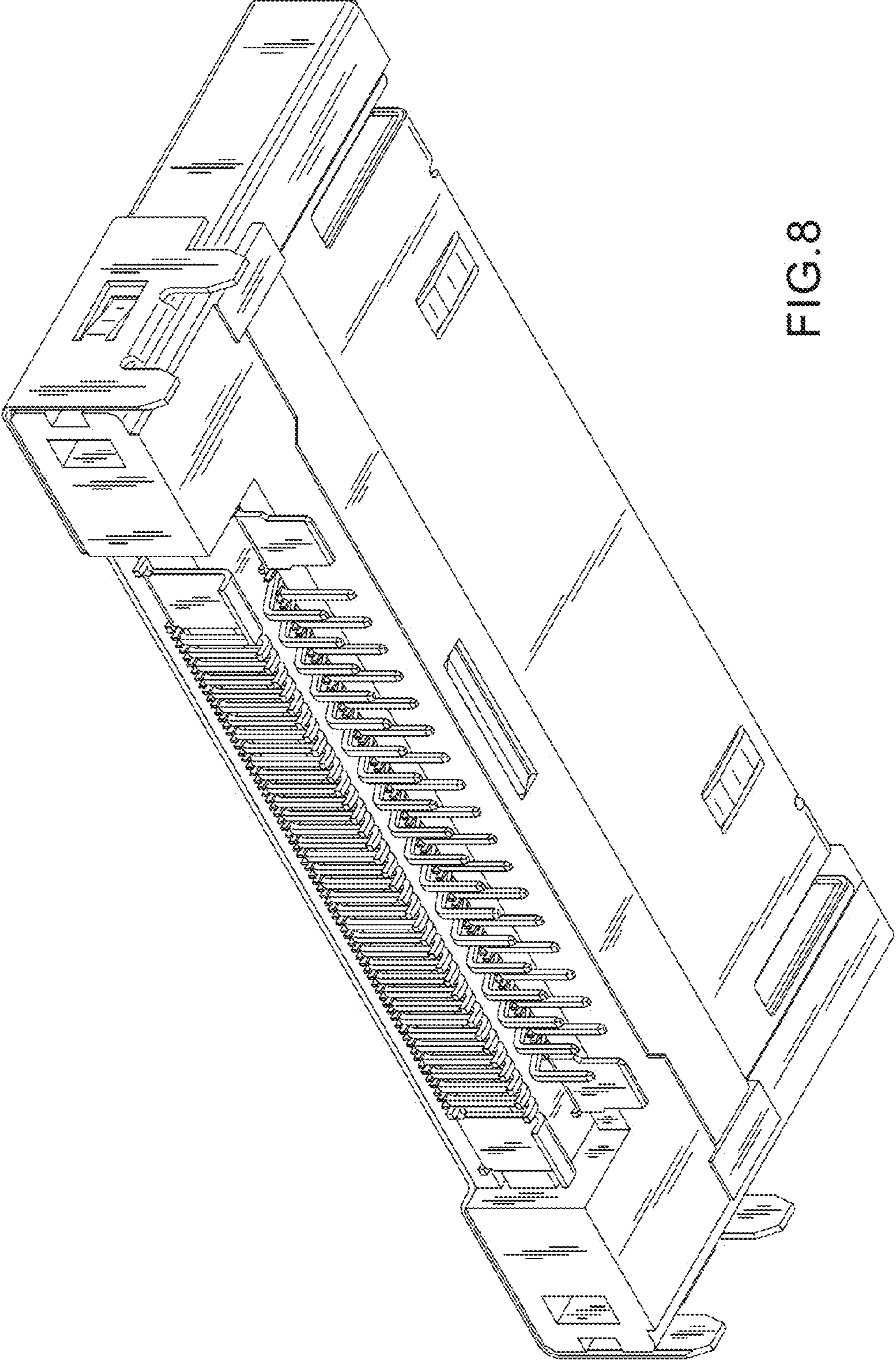


FIG. 8

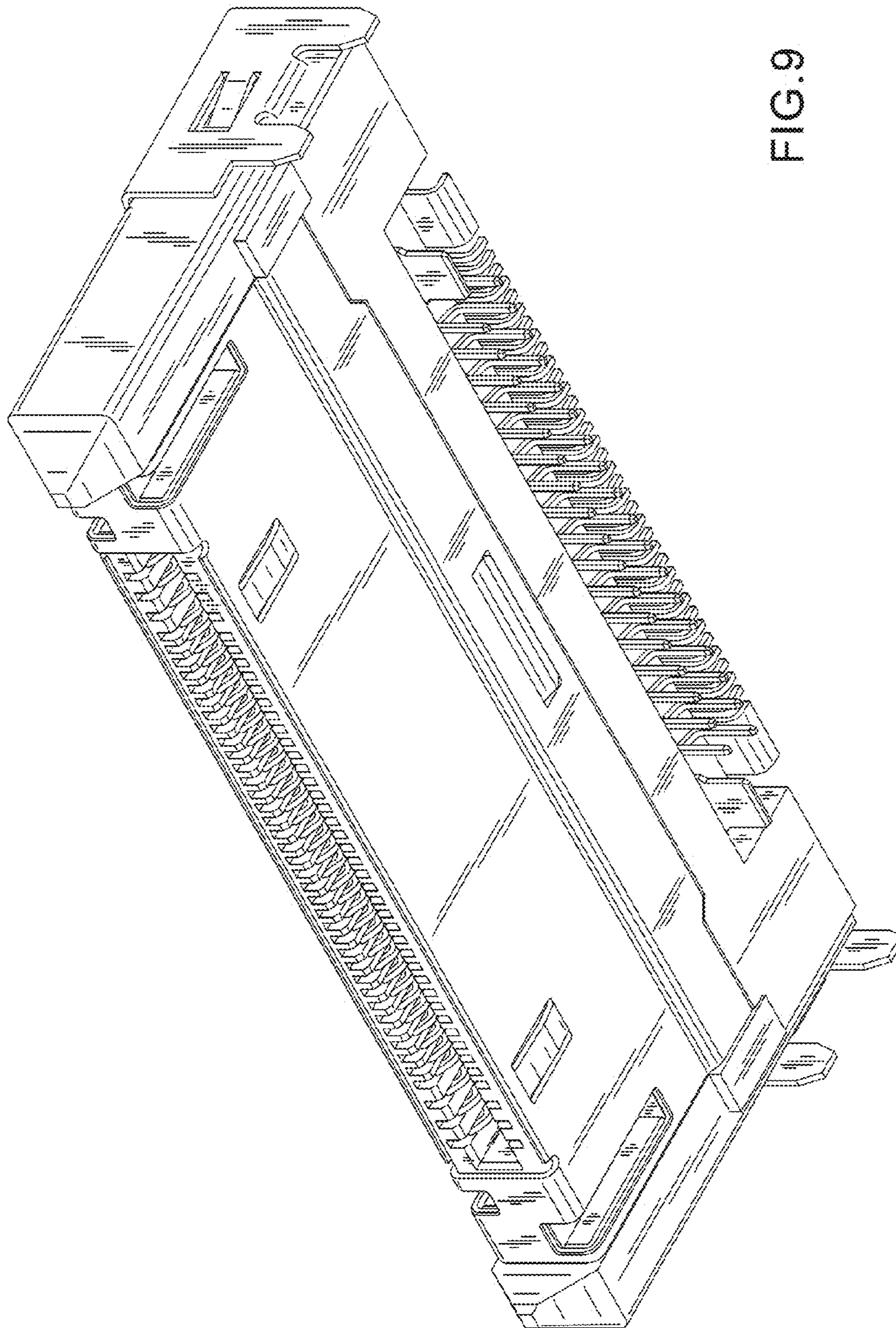


FIG. 9

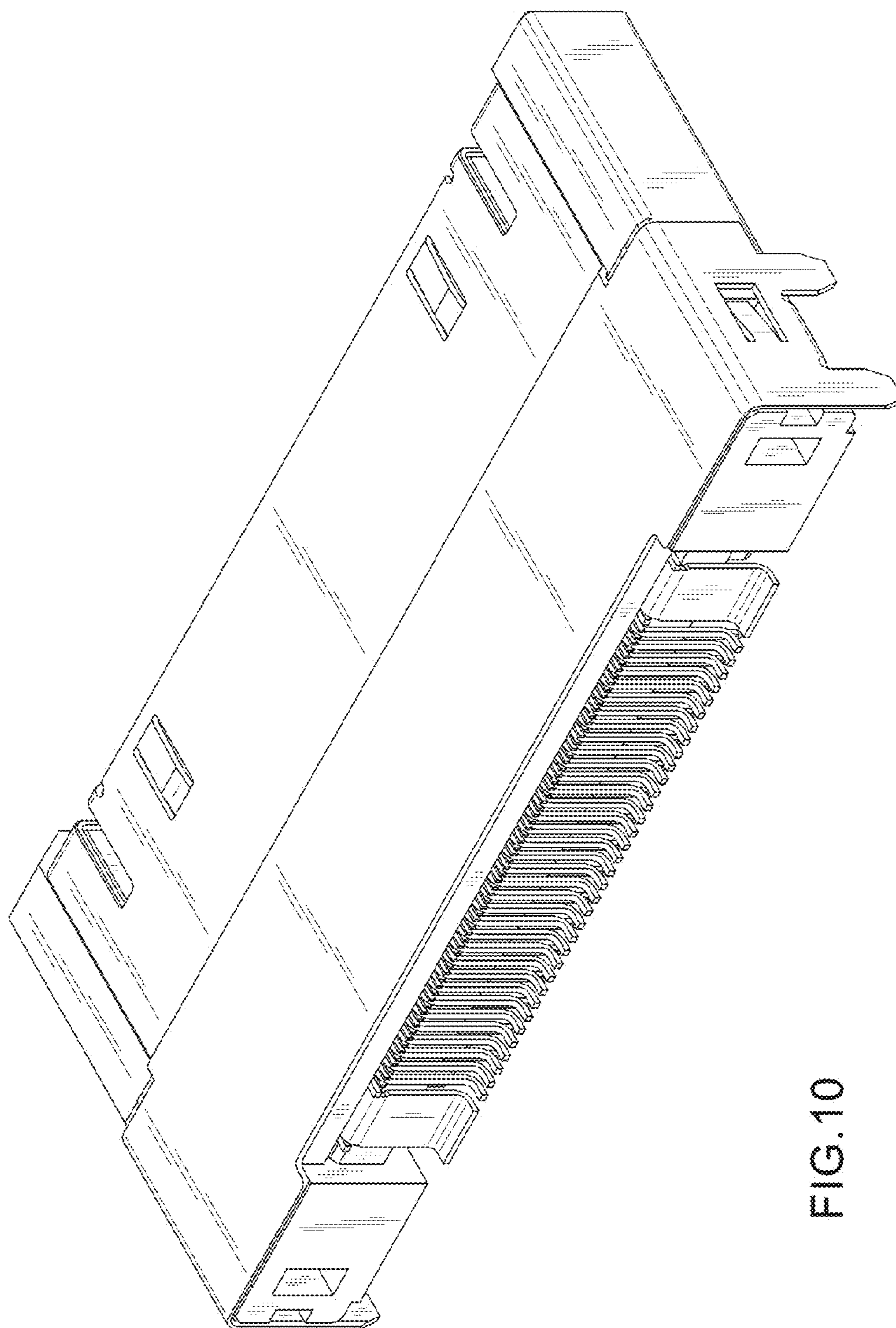


FIG. 10