

US00D698732S

(12) **United States Design Patent**  
**Yokoyama**

(10) **Patent No.:** **US D698,732 S**

(45) **Date of Patent:** **\*\* Feb. 4, 2014**

(54) **ELECTRICAL CONNECTOR**

(56) **References Cited**

(71) Applicant: **Japan Aviation Electronics Industry, Limited**, Tokyo (JP)

(72) Inventor: **Yohei Yokoyama**, Tokyo (JP)

(73) Assignee: **Japan Aviation Electronics Industry, Limited**, Tokyo (JP)

(\*\*) Term: **14 Years**

(21) Appl. No.: **29/445,449**

(22) Filed: **Feb. 12, 2013**

(30) **Foreign Application Priority Data**

Aug. 23, 2012 (JP) ..... 2012-020127

(51) **LOC (10) Cl.** ..... **13-03**

(52) **U.S. Cl.**  
USPC ..... **D13/147**

(58) **Field of Classification Search**  
USPC ..... D13/147, 154, 184, 199; 439/79, 108,  
439/350, 353, 357, 378, 476.1, 489, 587,  
439/594, 595, 598, 607.01, 607.04, 607.05,  
439/607.17, 607.25, 607.34, 607.41,  
439/607.53, 656, 660, 668, 680, 711, 745,  
439/752

See application file for complete search history.

U.S. PATENT DOCUMENTS

D489,687 S *	5/2004	Kawase et al. ....	D13/147
D490,377 S *	5/2004	Sato .....	D13/147
D517,489 S *	3/2006	Kawase et al. ....	D13/147
D583,766 S *	12/2008	Chiang .....	D13/147
D592,148 S *	5/2009	Ho .....	D13/147
D607,411 S *	1/2010	Hirakawa .....	D13/147
D607,825 S *	1/2010	Hirakawa .....	D13/147
D671,895 S *	12/2012	Wang et al. ....	D13/147

\* cited by examiner

*Primary Examiner* — Daniel Bui

(74) *Attorney, Agent, or Firm* — Westerman, Hattori, Daniels & Adrian, LLP

(57) **CLAIM**

The ornamental design for an electrical connector, as shown and described.

**DESCRIPTION**

FIG. 1 is a front elevational view of an electrical connector, showing my new design;

FIG. 2 is a rear elevational view thereof;

FIG. 3 is a right side elevational view thereof;

FIG. 4 is a left side elevational view thereof;

FIG. 5 is a top plan view thereof;

FIG. 6 is a bottom plan view thereof;

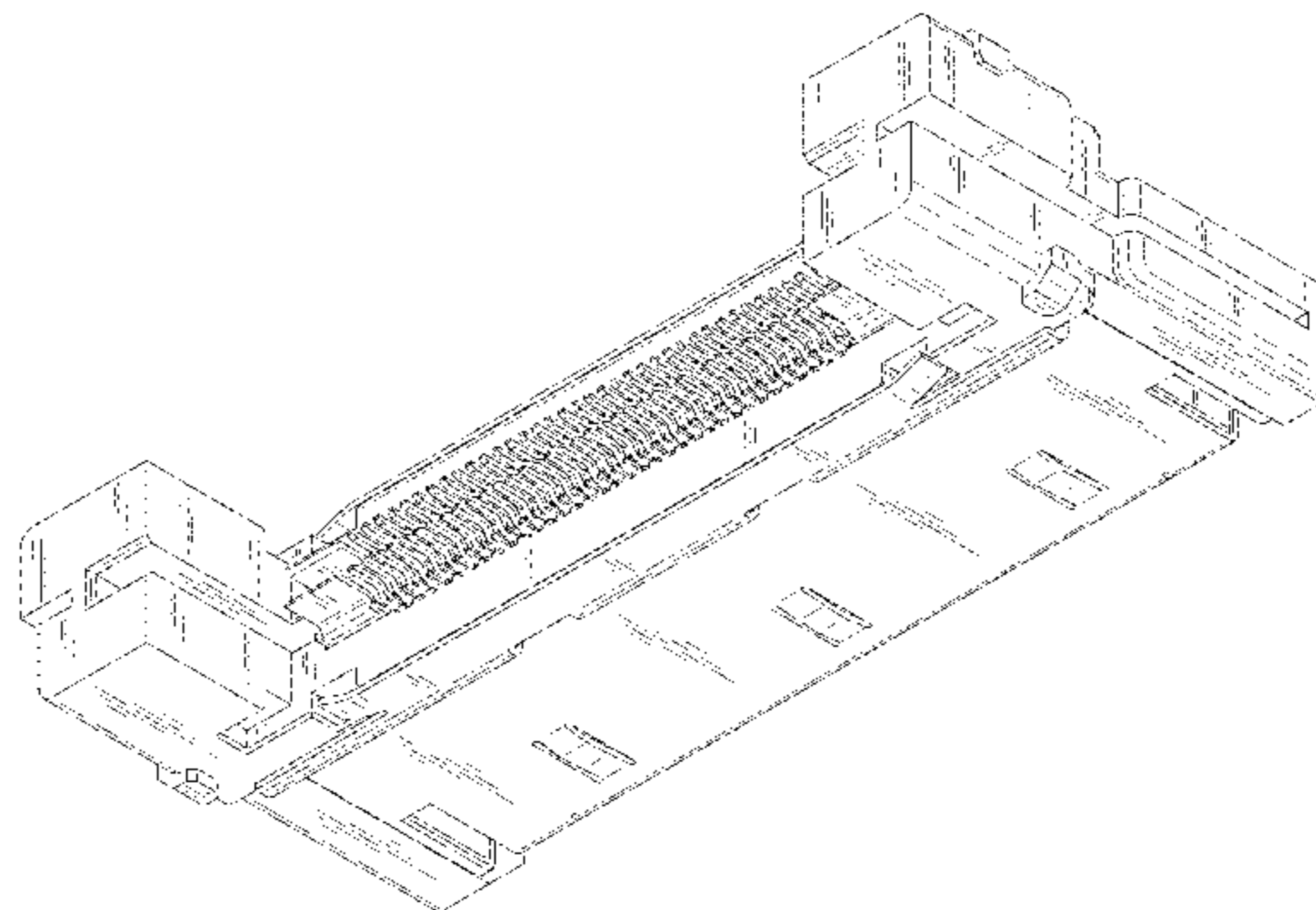
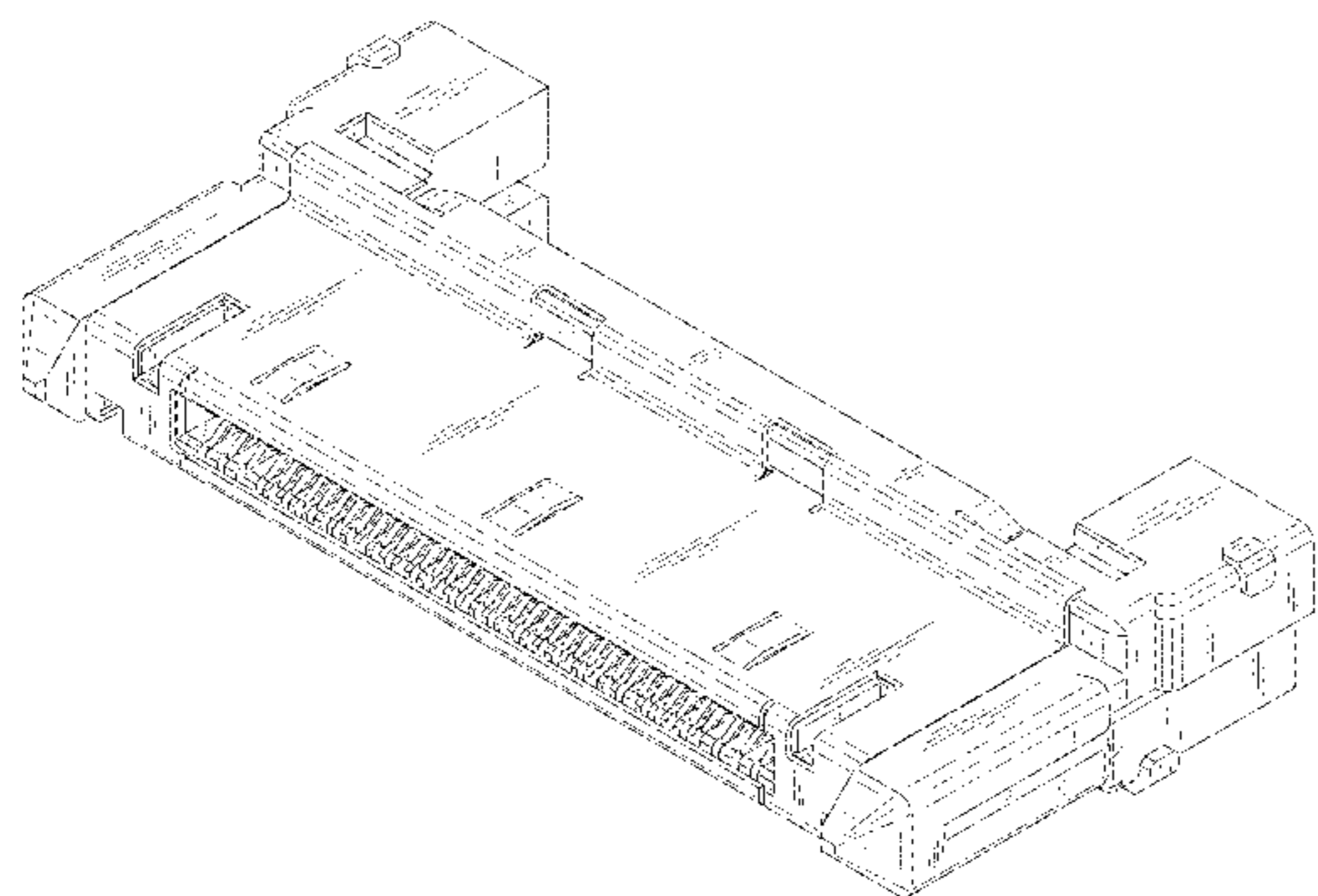
FIG. 7 is a right front perspective view showing the top thereof;

FIG. 8 is a left rear perspective view showing the bottom thereof;

FIG. 9 is a right front perspective view showing the bottom thereof; and,

FIG. 10 is a left rear perspective view showing the top thereof.

**1 Claim, 10 Drawing Sheets**



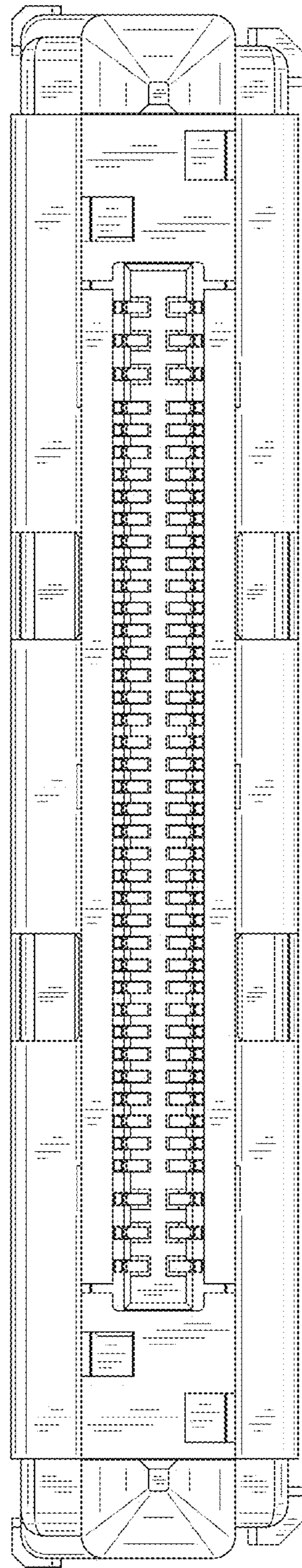


FIG.1

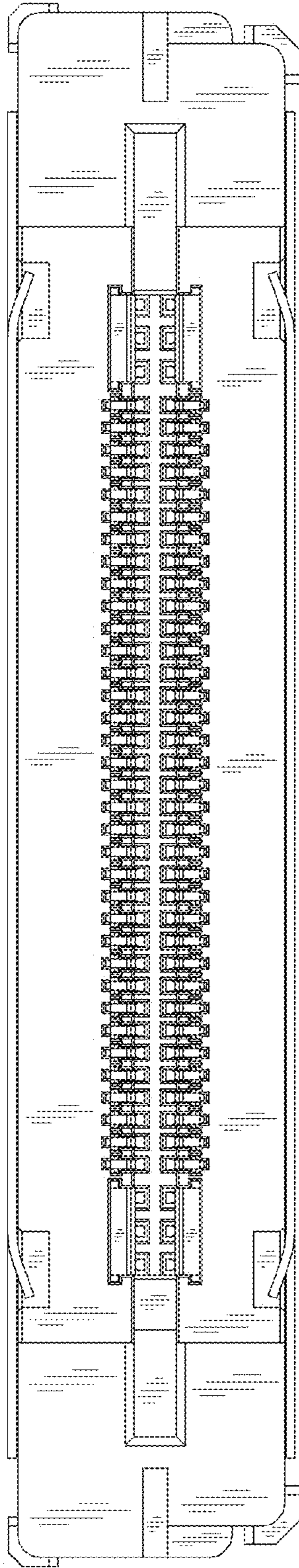


FIG.2

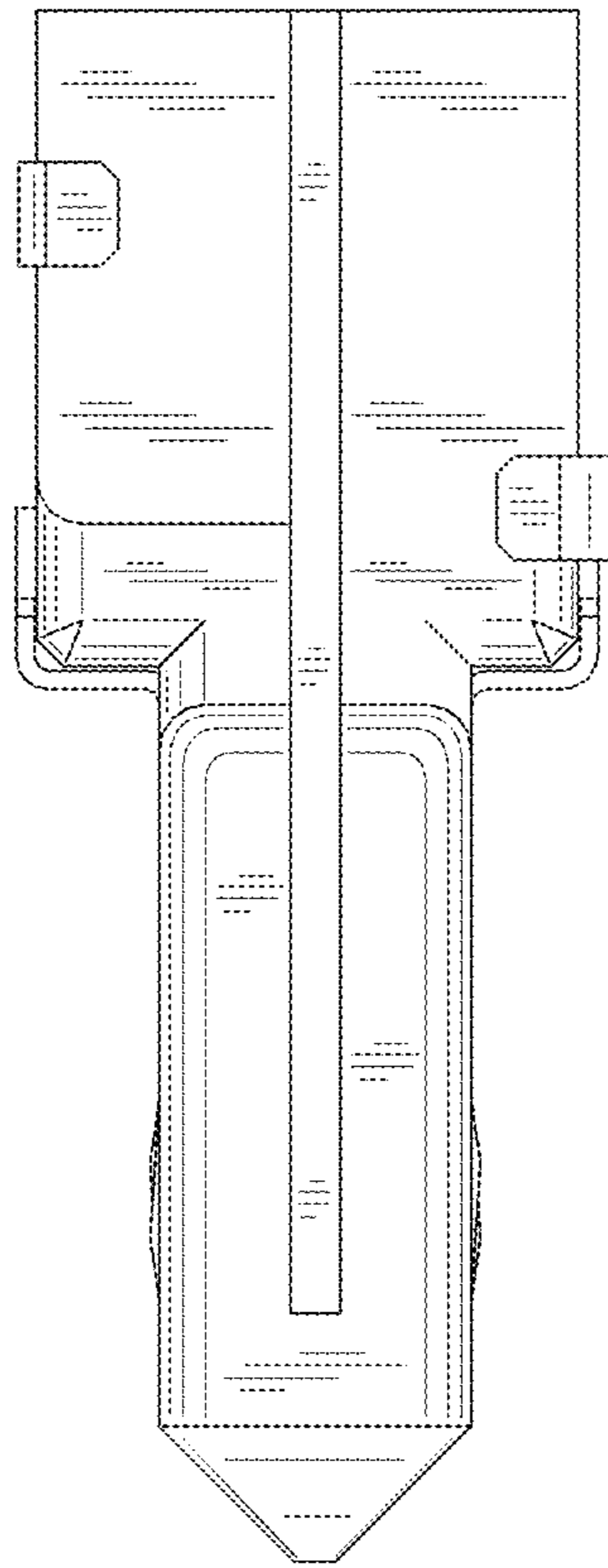


FIG. 3

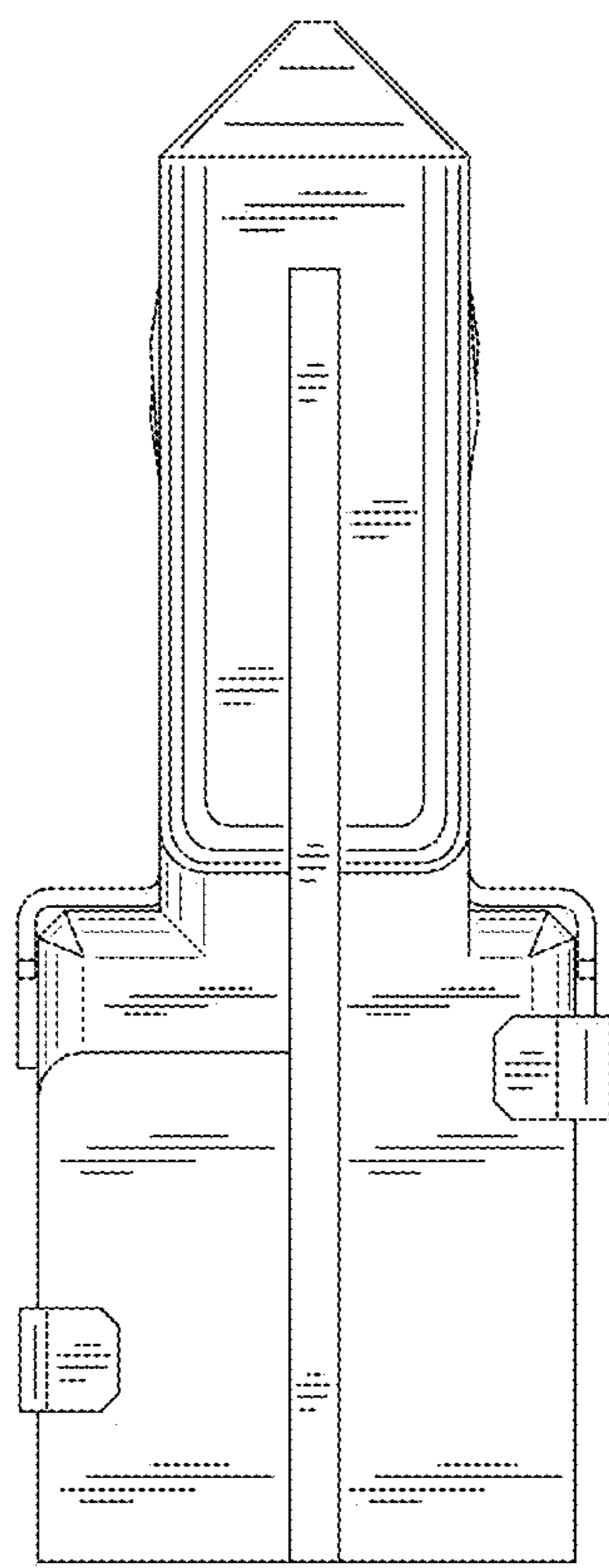


FIG.4

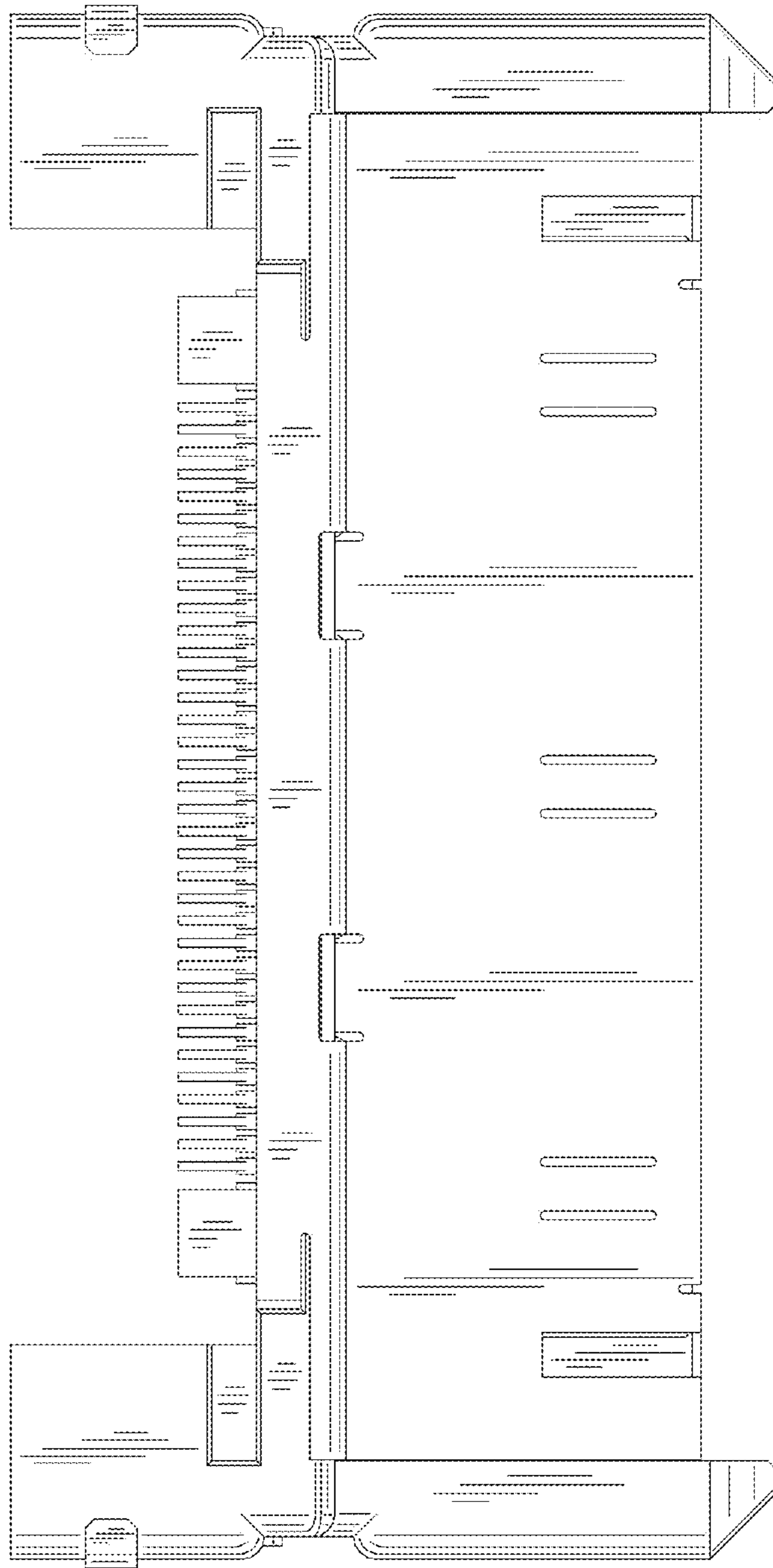


FIG. 5

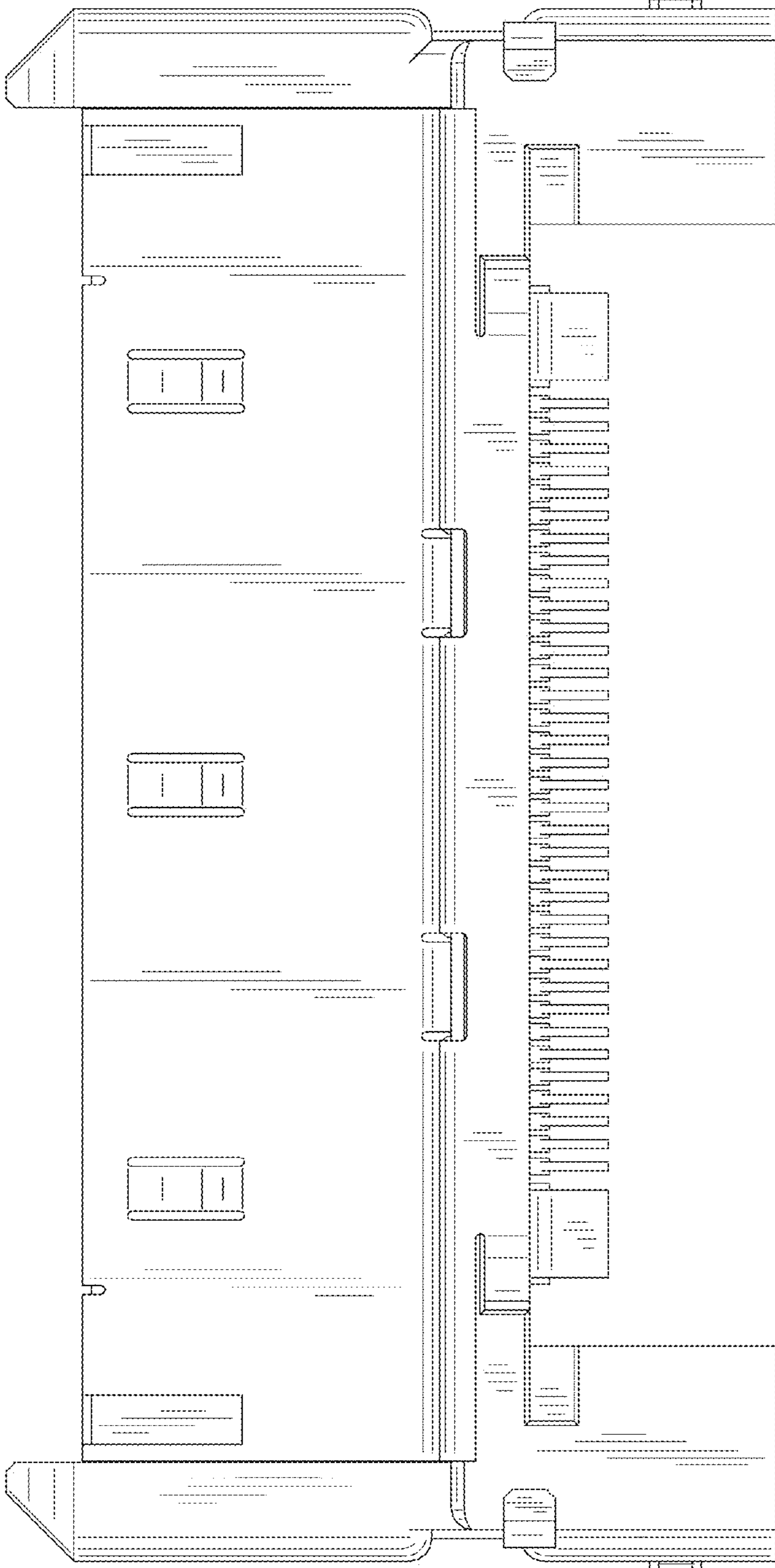


FIG.6

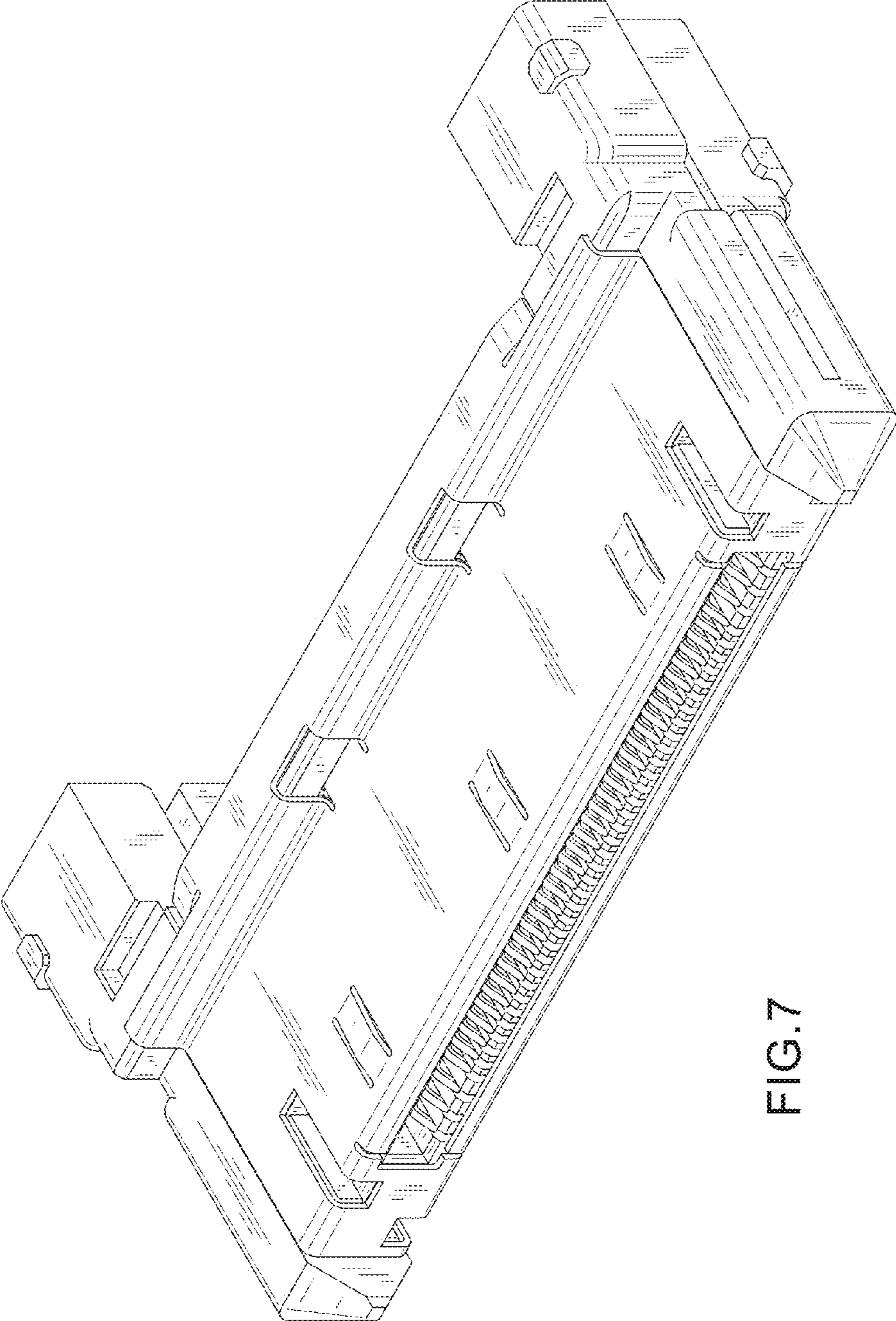


FIG.7



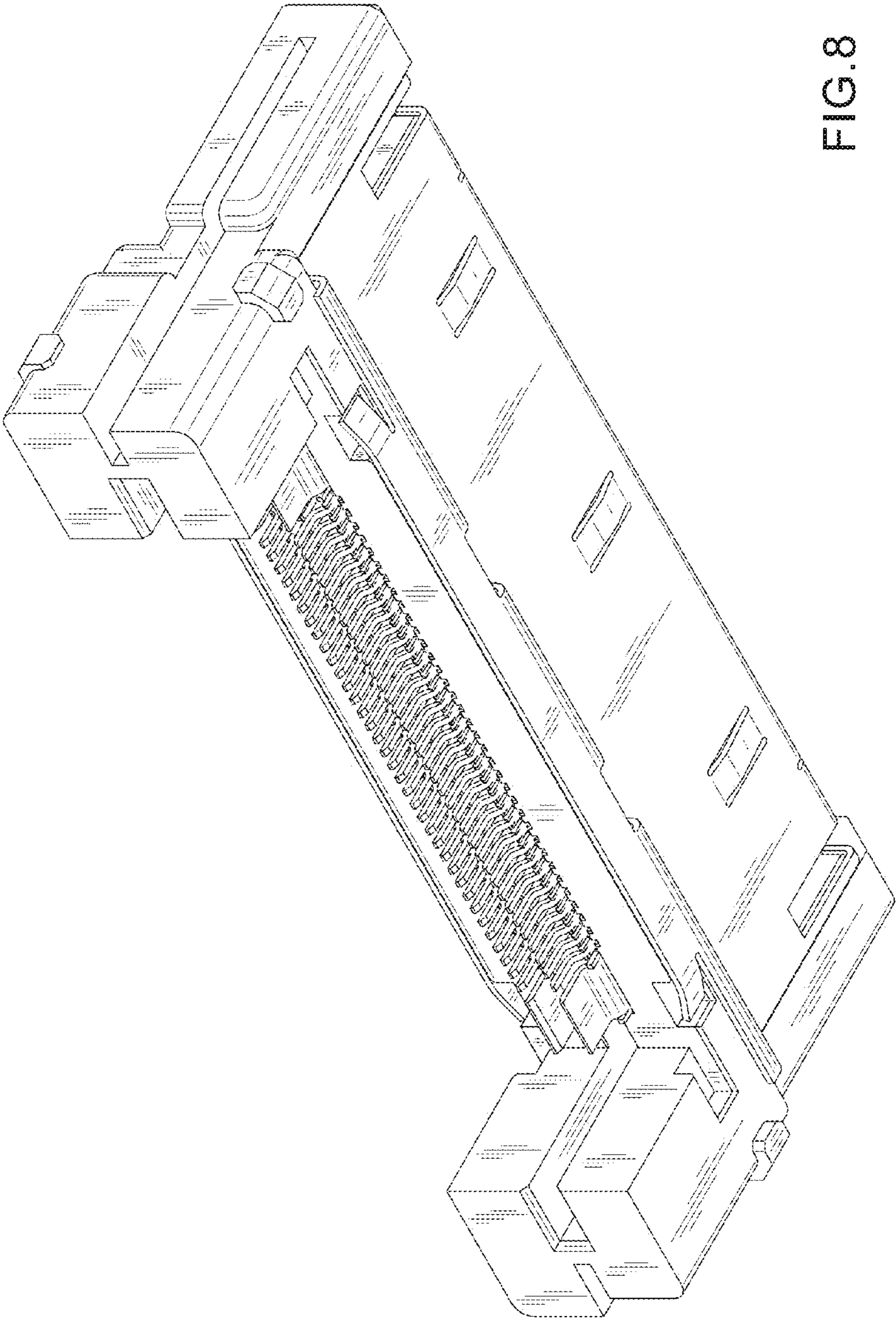


FIG. 8

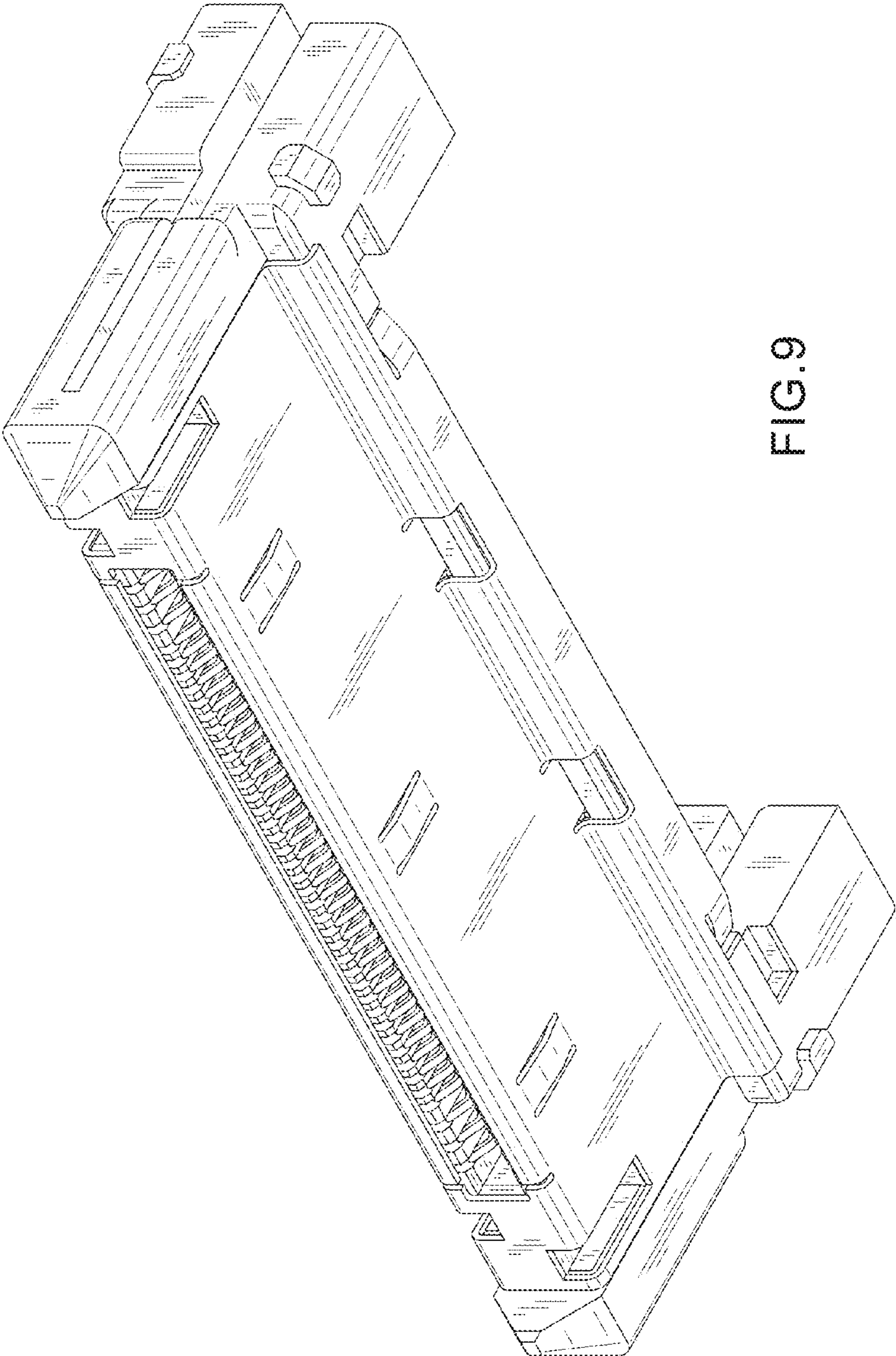


FIG. 9

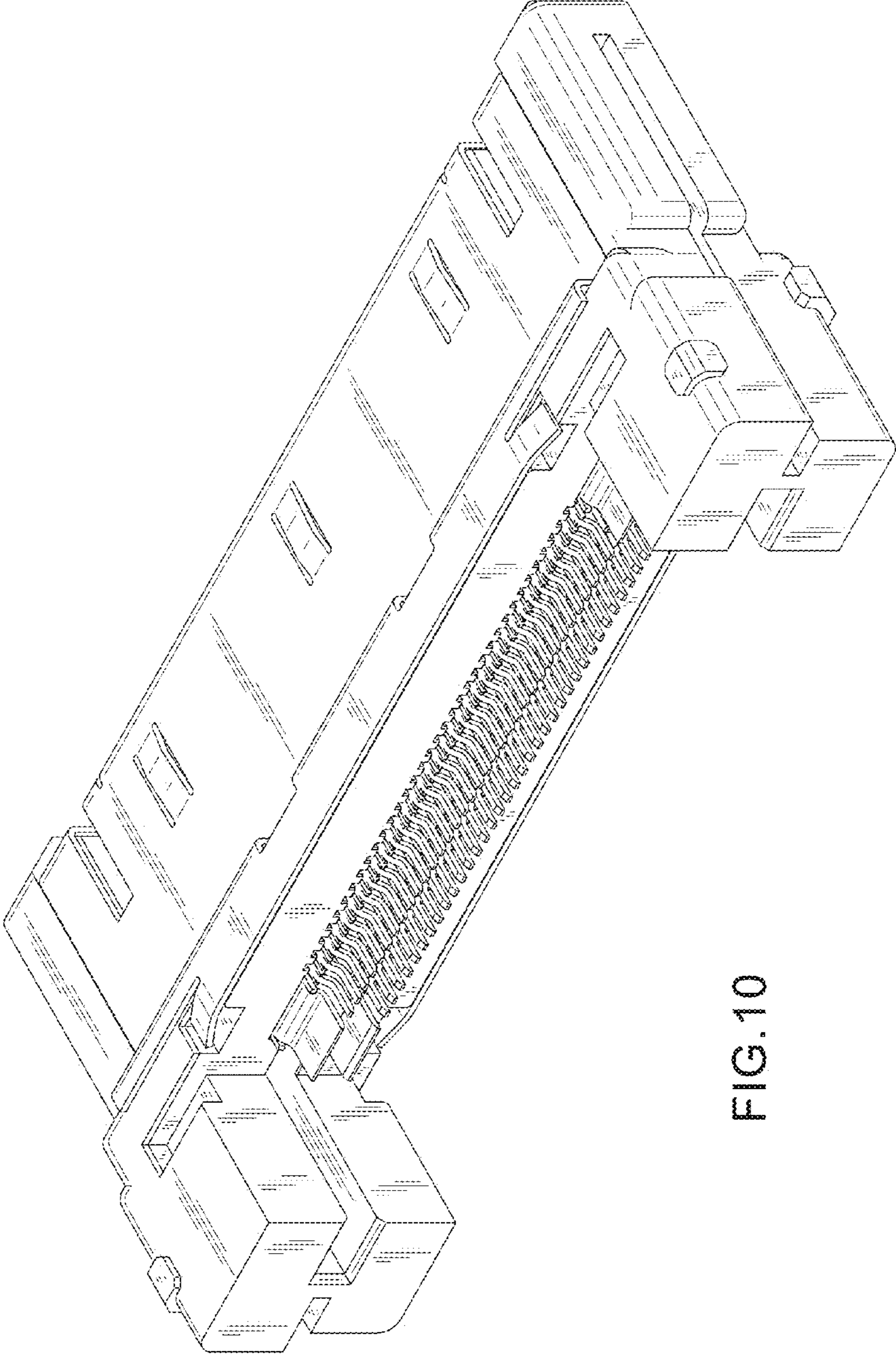


FIG.10