



US00D698730S

(12) **United States Design Patent**
Hori et al.

(10) **Patent No.:** **US D698,730 S**

(45) **Date of Patent:** **** Feb. 4, 2014**

(54) **CHARGING CONNECTOR FOR ELECTRIC VEHICLE**

(75) Inventors: **Yasunobu Hori**, Chiba (JP); **Takashi Kuramochi**, Tokyo (JP); **Keiji Yahagi**, Tokyo (JP)

(73) Assignee: **Fujikura Ltd.**, Tokyo (JP)

(**) Term: **14 Years**

(21) Appl. No.: **29/430,963**

(22) Filed: **Aug. 31, 2012**

(30) **Foreign Application Priority Data**

Mar. 7, 2012 (JP) 2012-005118

(51) **LOC (10) Cl.** **13-03**

(52) **U.S. Cl.**
USPC **D13/146**

(58) **Field of Classification Search**
USPC D13/107-109, 118-119, 133, 146, 147,
D13/154, 184, 199; 320/104, 107-115,
320/FOR. 104, FOR. 119, DIG. 35

See application file for complete search history.

(56) **References Cited**

U.S. PATENT DOCUMENTS

D298,931 S *	12/1988	Sekiguchi	D13/147
D505,918 S *	6/2005	Conway et al.	D13/147
D511,747 S *	11/2005	Rey et al.	D13/147
D527,346 S *	8/2006	Brodin	D13/146
D559,785 S *	1/2008	Tosetti	D13/147
D615,496 S *	5/2010	Mennekes	D13/147

* cited by examiner

Primary Examiner — Daniel Bui

(74) *Attorney, Agent, or Firm* — Sughrue Mion, PLLC

(57) **CLAIM**

The ornamental design for a charging connector for electric vehicle, as shown and described.

DESCRIPTION

FIG. 1 is a perspective view from the upper side of a charging connector for electric vehicle showing our new design; FIG. 2 is a perspective view from the lower side thereof; FIG. 3 is a front elevation view thereof; FIG. 4 is a rear elevation view thereof; FIG. 5 is a top plan view thereof; FIG. 6 is a bottom plan view thereof; FIG. 7 is a right side elevation view thereof; and, FIG. 8 is a left side elevation view thereof. The portions of the article shown in broken lines are for the purpose of showing environmental structure only and form no part of the claimed design.

1 Claim, 8 Drawing Sheets

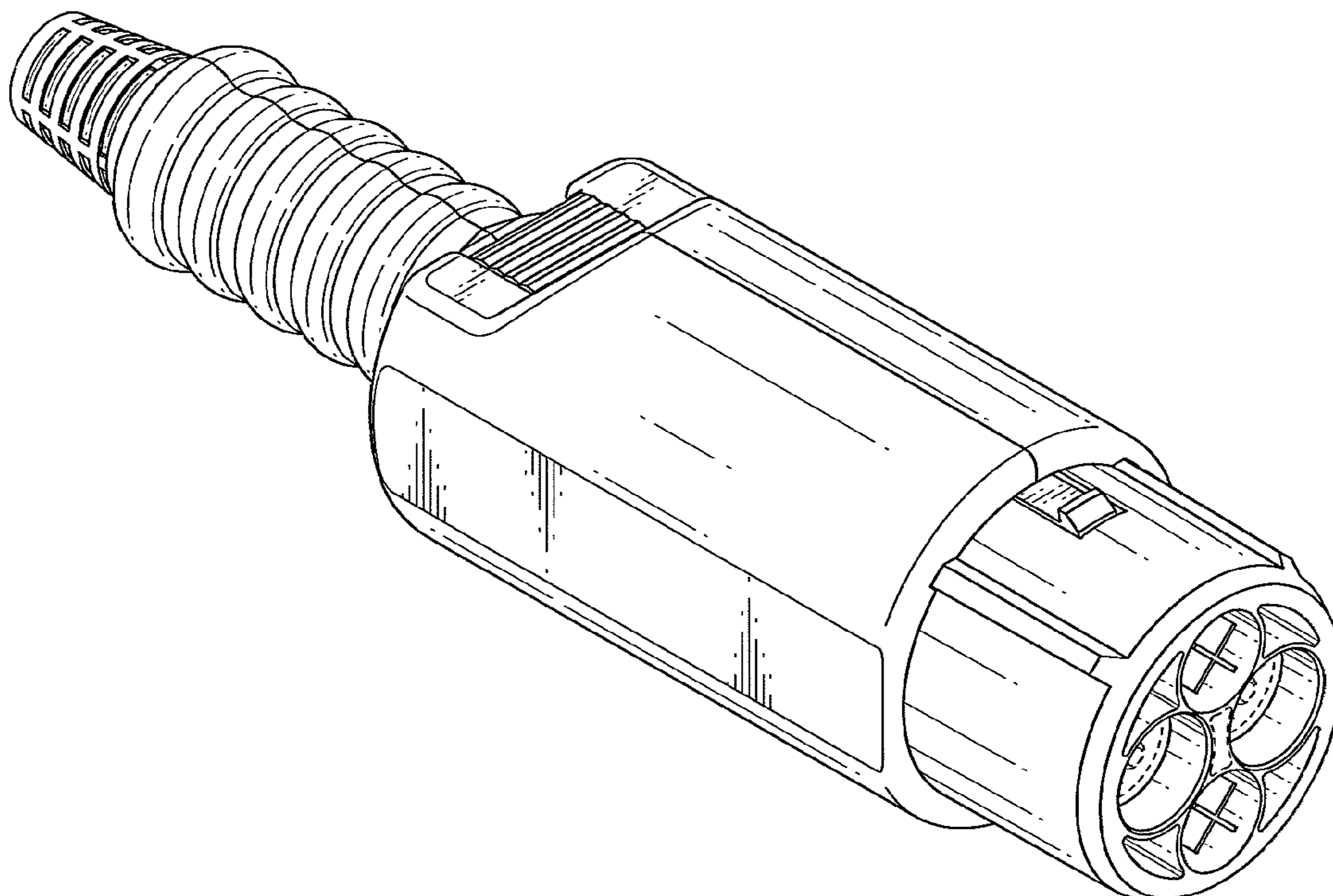


FIG. 1

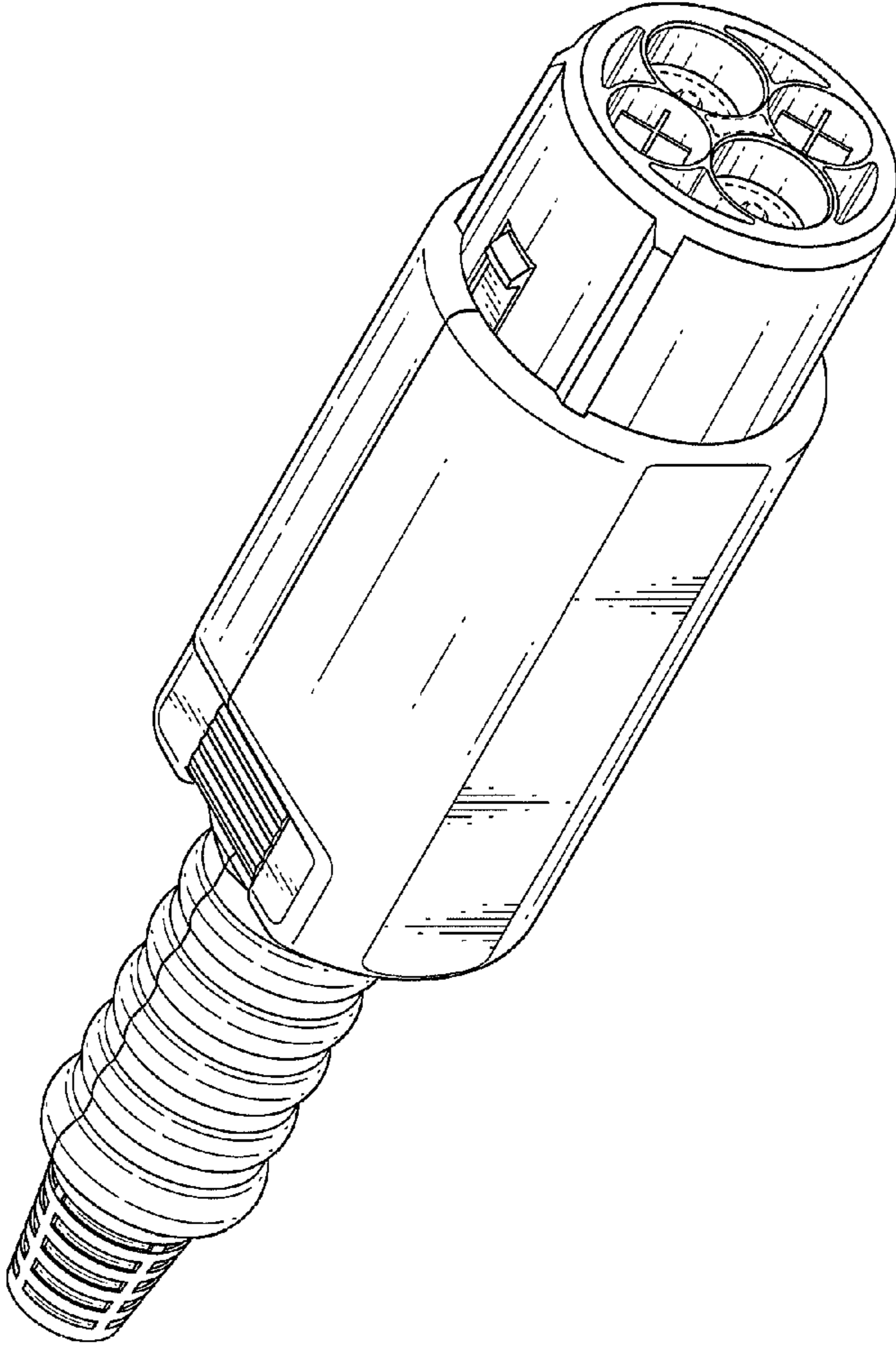


FIG. 2

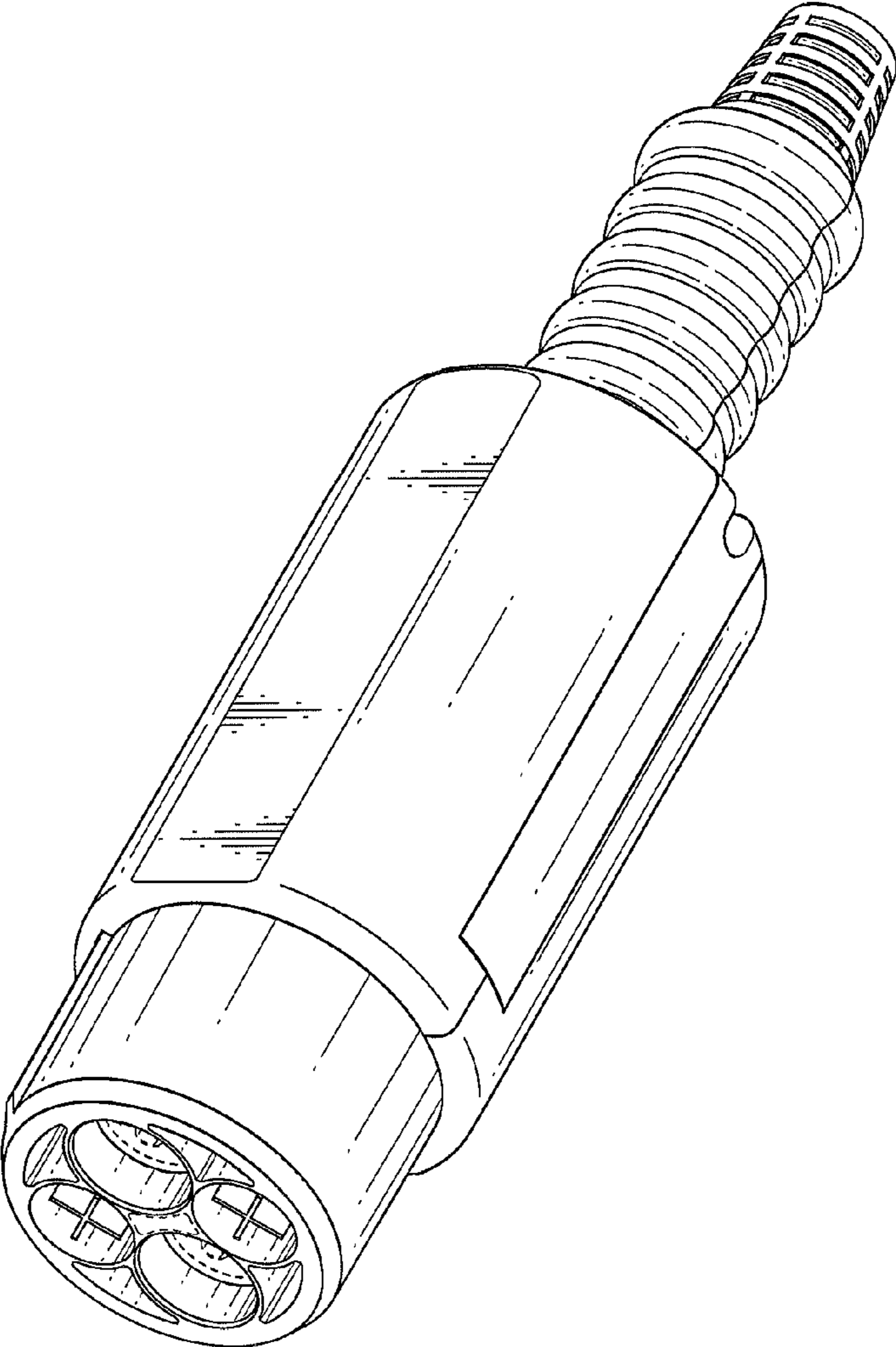


FIG. 3

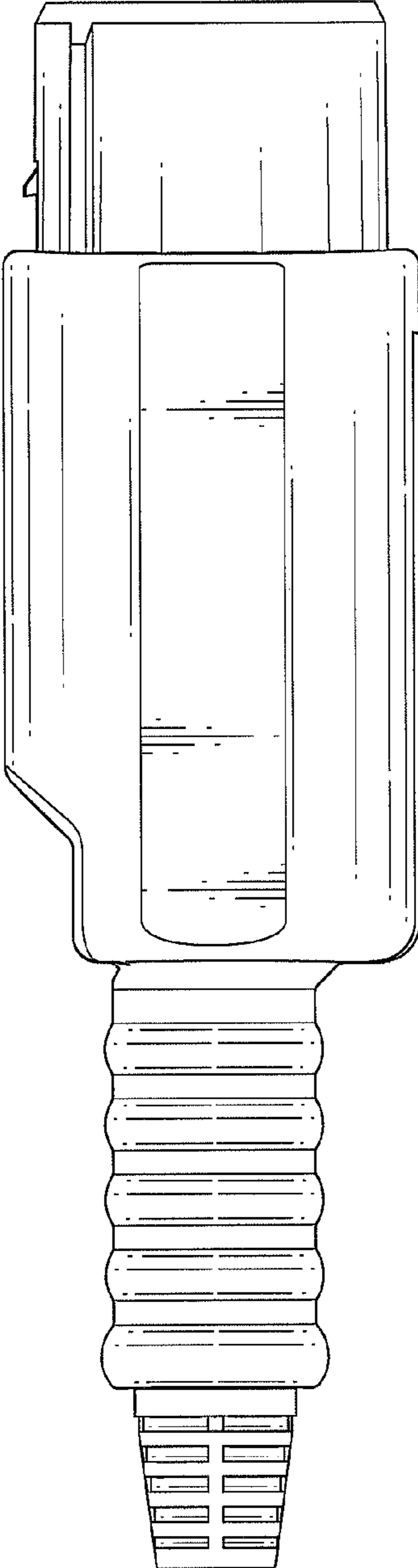


FIG. 4

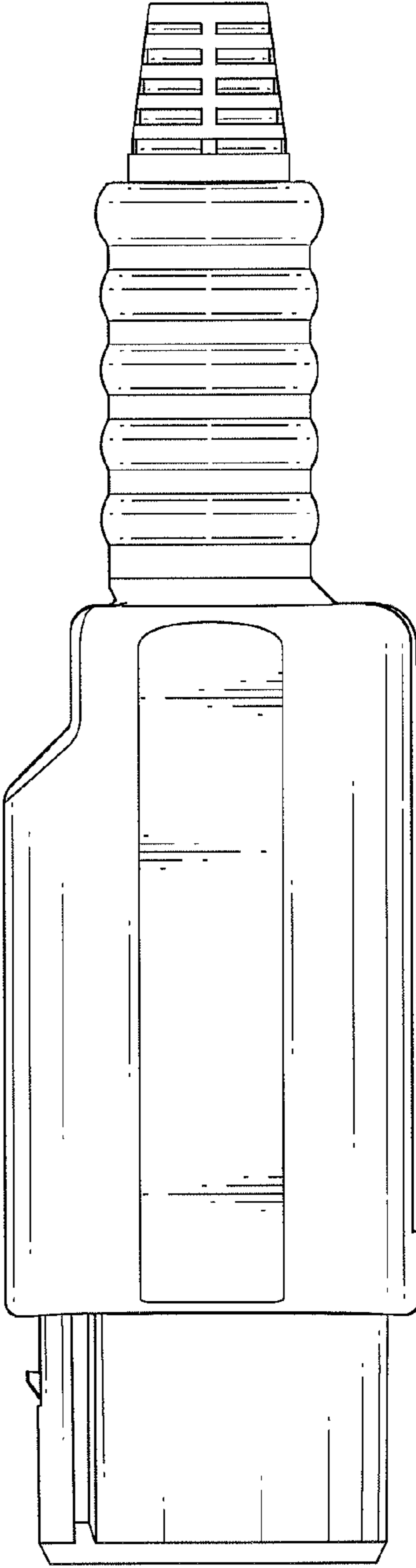


FIG. 5

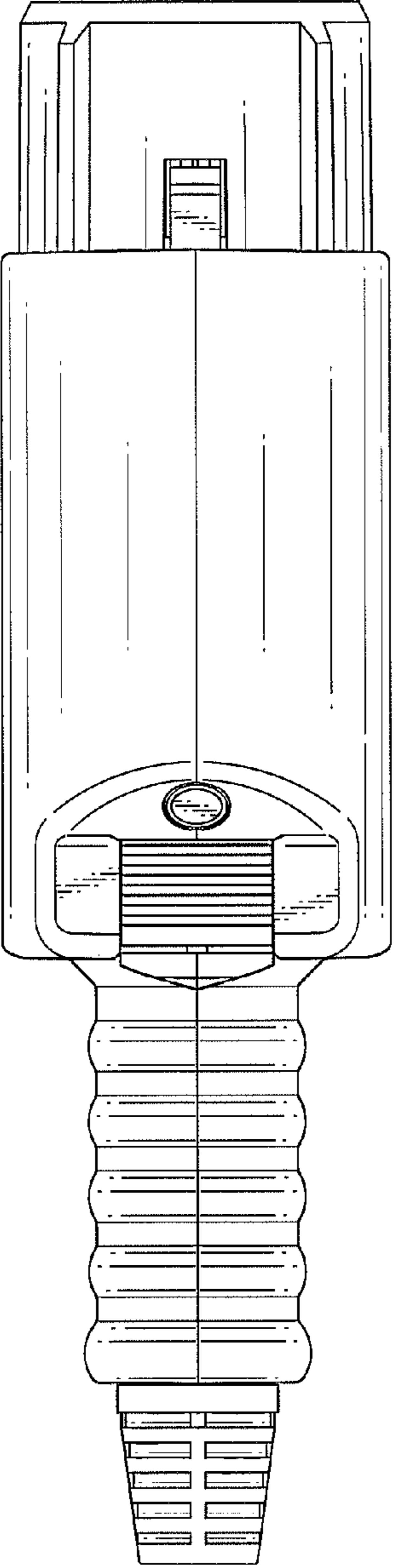


FIG. 6

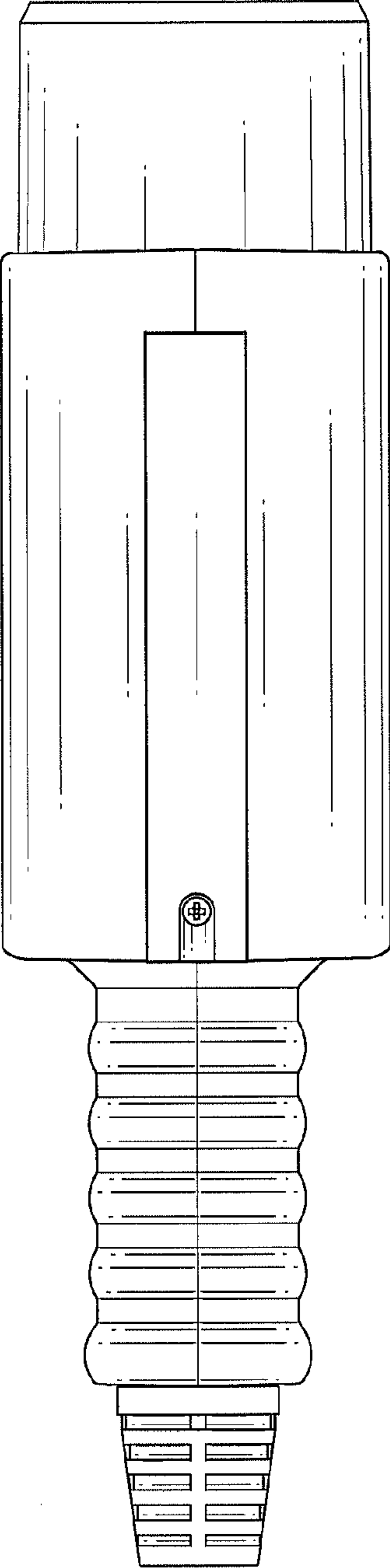


FIG. 7

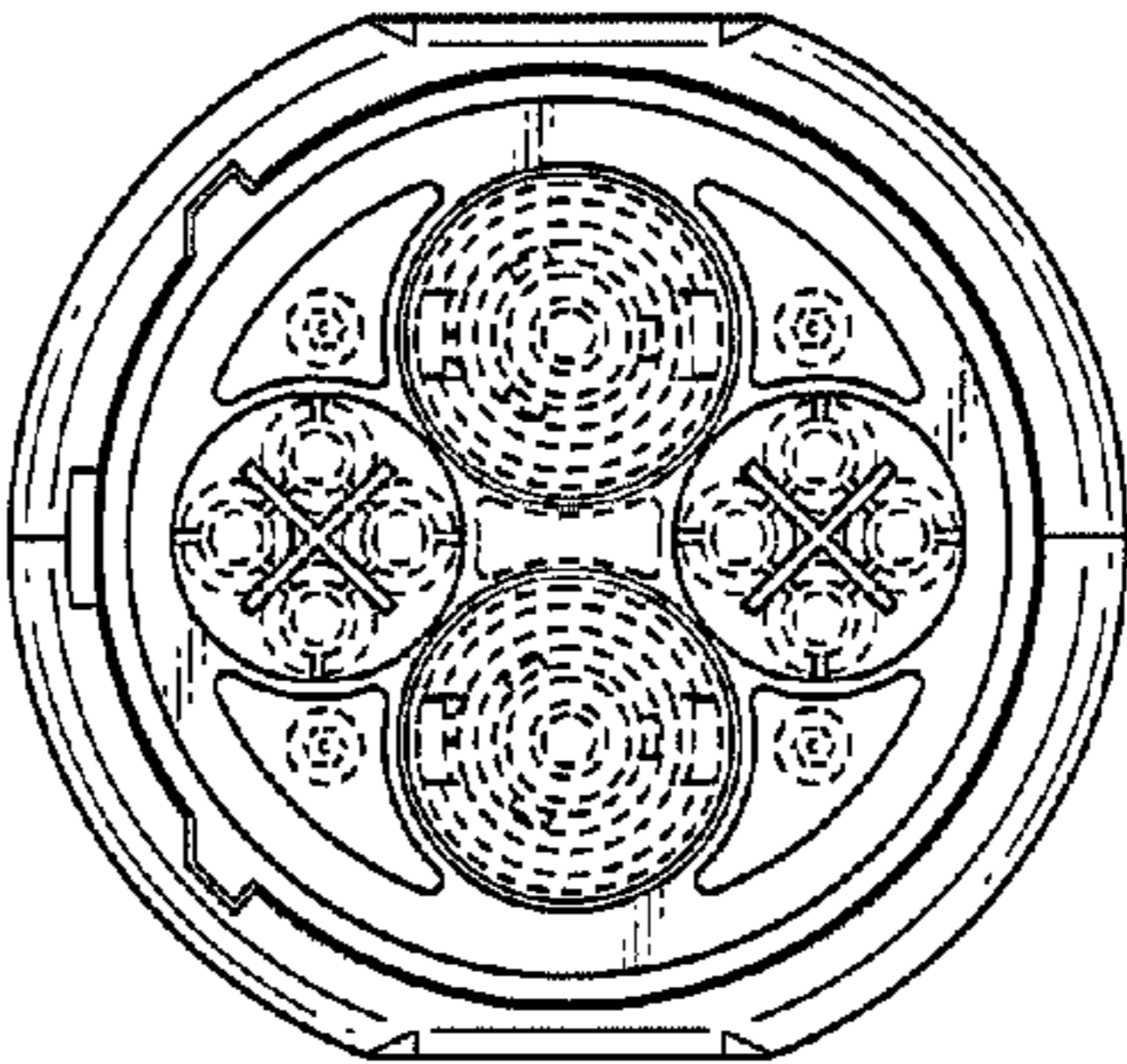


FIG. 8

