



US00D698729S

(12) **United States Design Patent**
Fukushima et al.

(10) **Patent No.:** **US D698,729 S**

(45) **Date of Patent:** **** Feb. 4, 2014**

(54) **ELECTRIC CONNECTOR**

(75) Inventors: **Hiroataka Fukushima**, Kakegawa (JP);
Takashi Tsukamoto, Kakegawa (JP)

(73) Assignee: **Yazaki Corporation**, Tokyo (JP)

(**) Term: **14 Years**

(21) Appl. No.: **29/397,974**

(22) Filed: **Jul. 25, 2011**

(30) **Foreign Application Priority Data**

Jan. 25, 2011 (JP) D2011-001392

(51) **LOC (10) Cl.** **13-03**

(52) **U.S. Cl.**
USPC **D13/146**

(58) **Field of Classification Search**
USPC D13/133, 146, 147, 154, 184;
439/34-35, 142, 144, 381, 503, 519,
439/521, 571, 573, 638

See application file for complete search history.

(56) **References Cited**

U.S. PATENT DOCUMENTS

D361,313 S *	8/1995	Sai et al.	D13/146
D367,644 S *	3/1996	Fukao et al.	D13/146
D374,212 S *	10/1996	Fukao et al.	D13/146
D392,618 S *	3/1998	Fukao et al.	D13/146
D449,581 S *	10/2001	Bosatelli	D13/146
D602,433 S	10/2009	Katou et al.		
D618,176 S	6/2010	Kato et al.		

* cited by examiner

Primary Examiner — Daniel Bui

(74) *Attorney, Agent, or Firm* — Sughrue Mion, PLLC

(57) **CLAIM**

The ornamental design for an electric connector, as shown and described.

DESCRIPTION

FIG. 1 is a perspective view of the front, top and right side of an electric connector showing our new design;
 FIG. 2 is a front elevation view thereof;
 FIG. 3 is a rear elevation view thereof;
 FIG. 4 is a top plan view thereof;
 FIG. 5 is a bottom plan view thereof;
 FIG. 6 is a left side elevation view thereof;
 FIG. 7 is a right side elevation view thereof;
 FIG. 8 is a perspective view of the front, top and right side of the electric connector in a state that a cover is open;
 FIG. 9 is a front elevation view thereof in the state that the cover is open;
 FIG. 10 is a rear elevation view thereof in the state that the cover is open;
 FIG. 11 is a top plan view thereof in the state that the cover is open;
 FIG. 12 is a bottom plan view thereof in the state that the cover is open;
 FIG. 13 is a left side elevation view thereof in the state that the cover is open; and,
 FIG. 14 is a right side elevation view thereof in the state that the cover is open.
 The broken line portion of the figure drawings is included for the purpose of illustrating environment and forms no part of the claimed design.

1 Claim, 9 Drawing Sheets

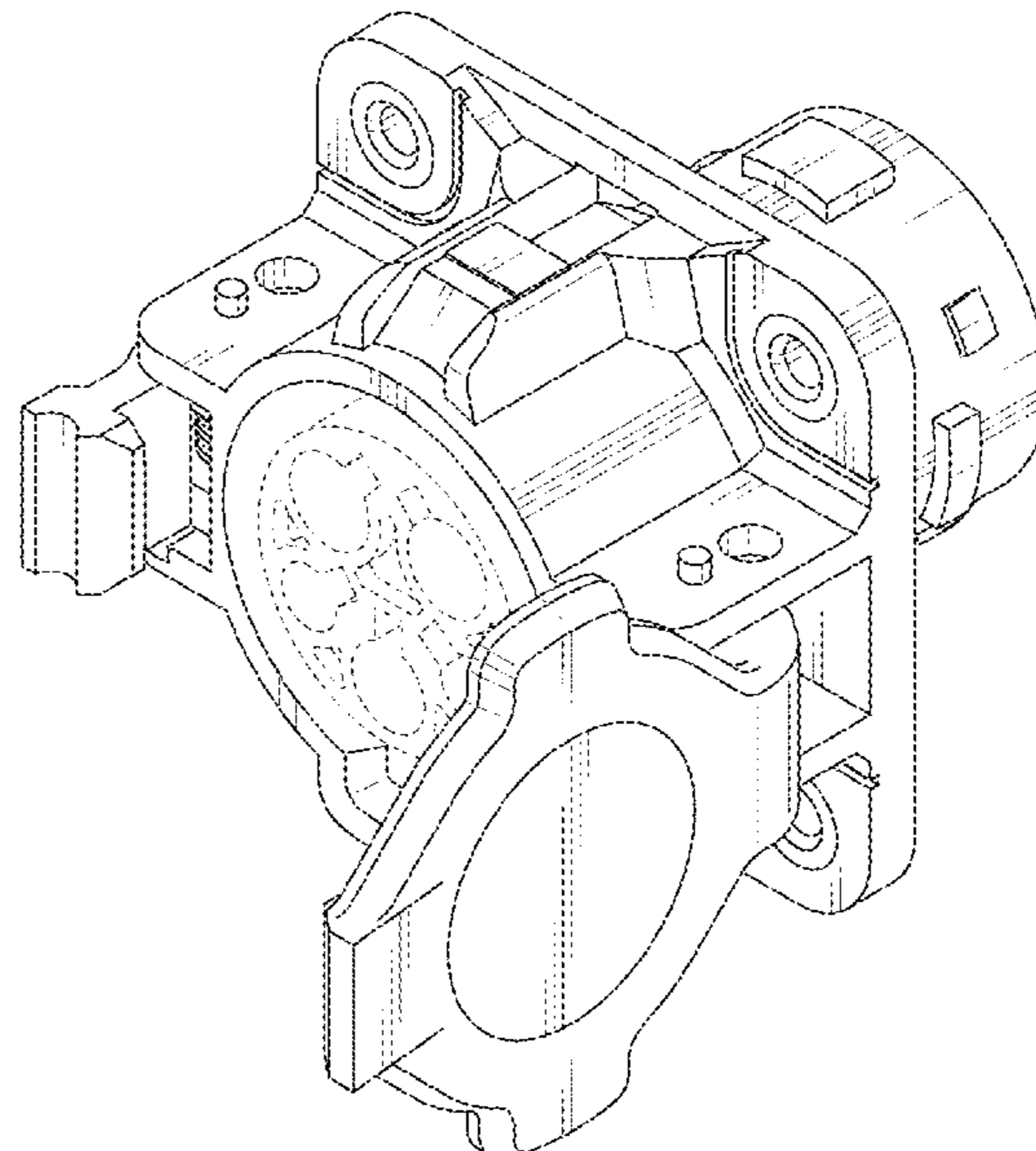
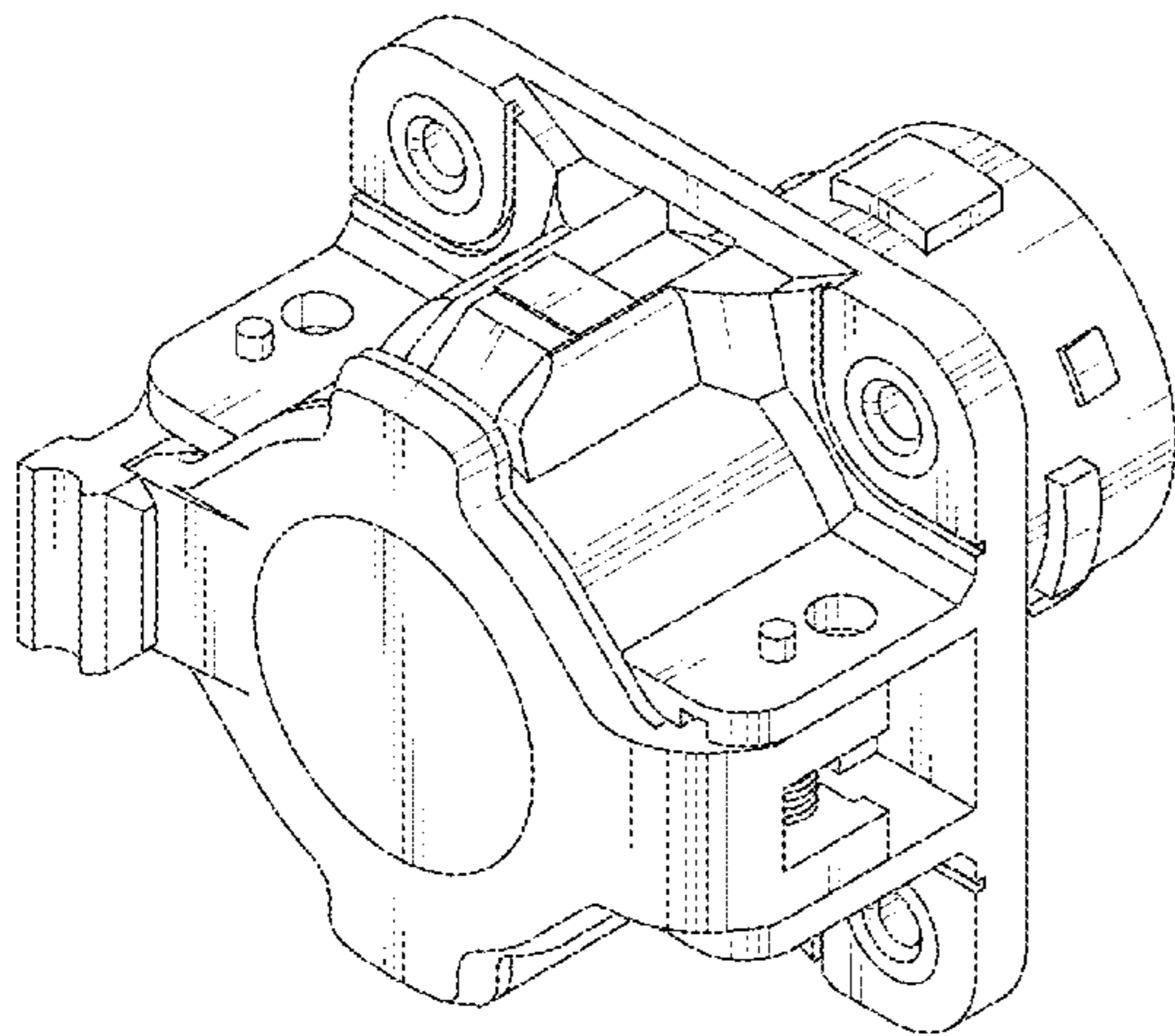


Fig. 1

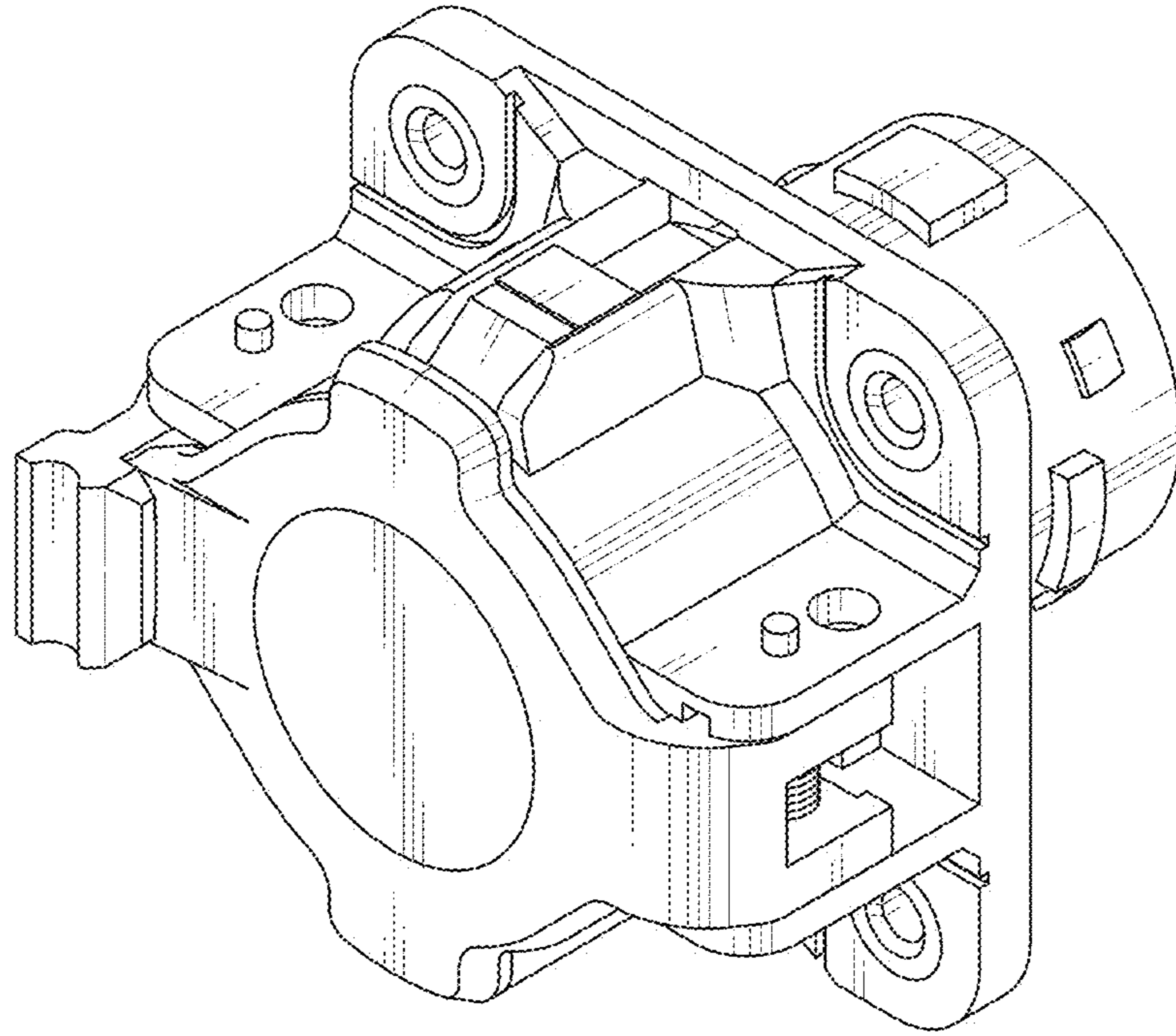


Fig. 2

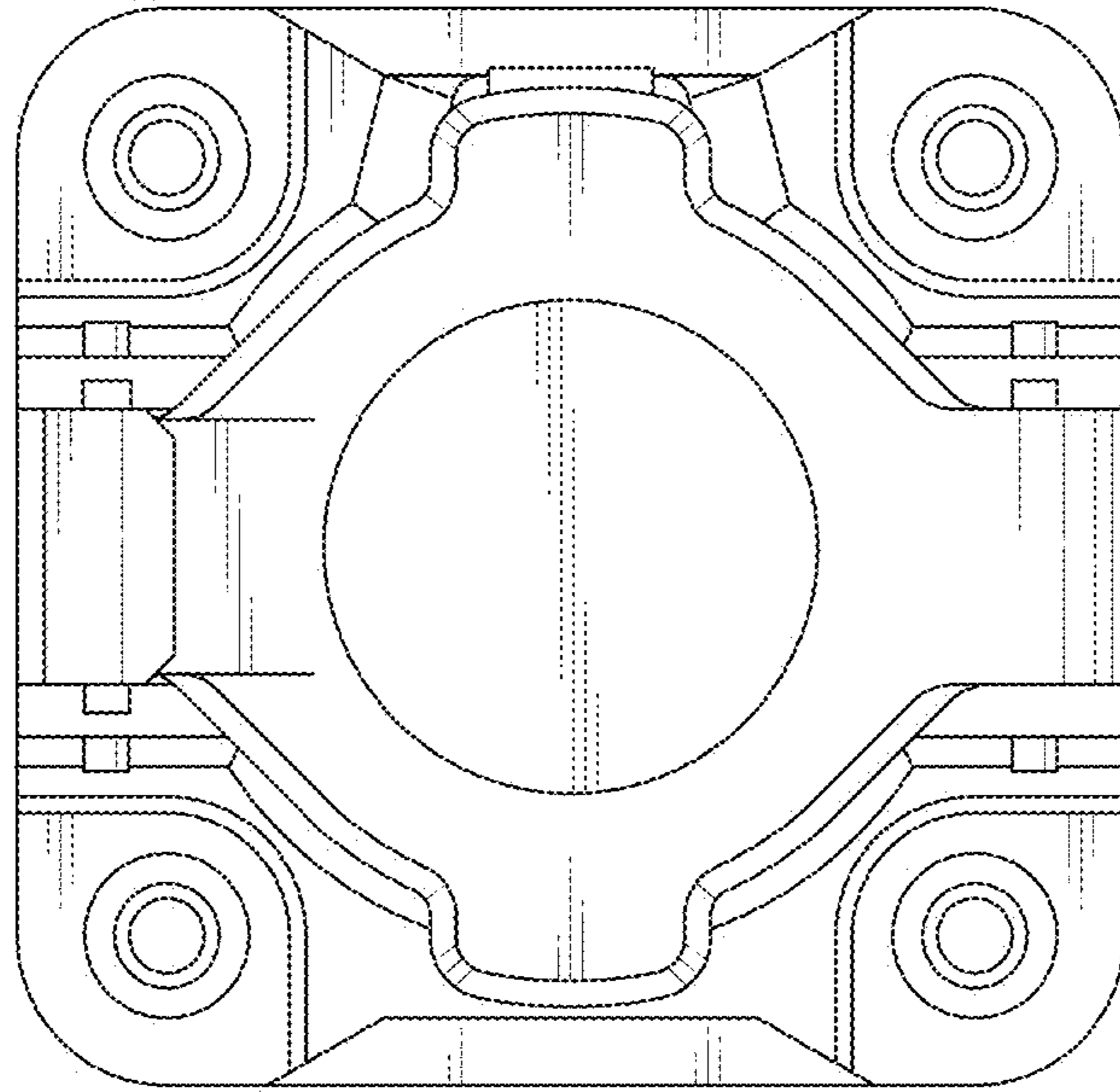


Fig. 3

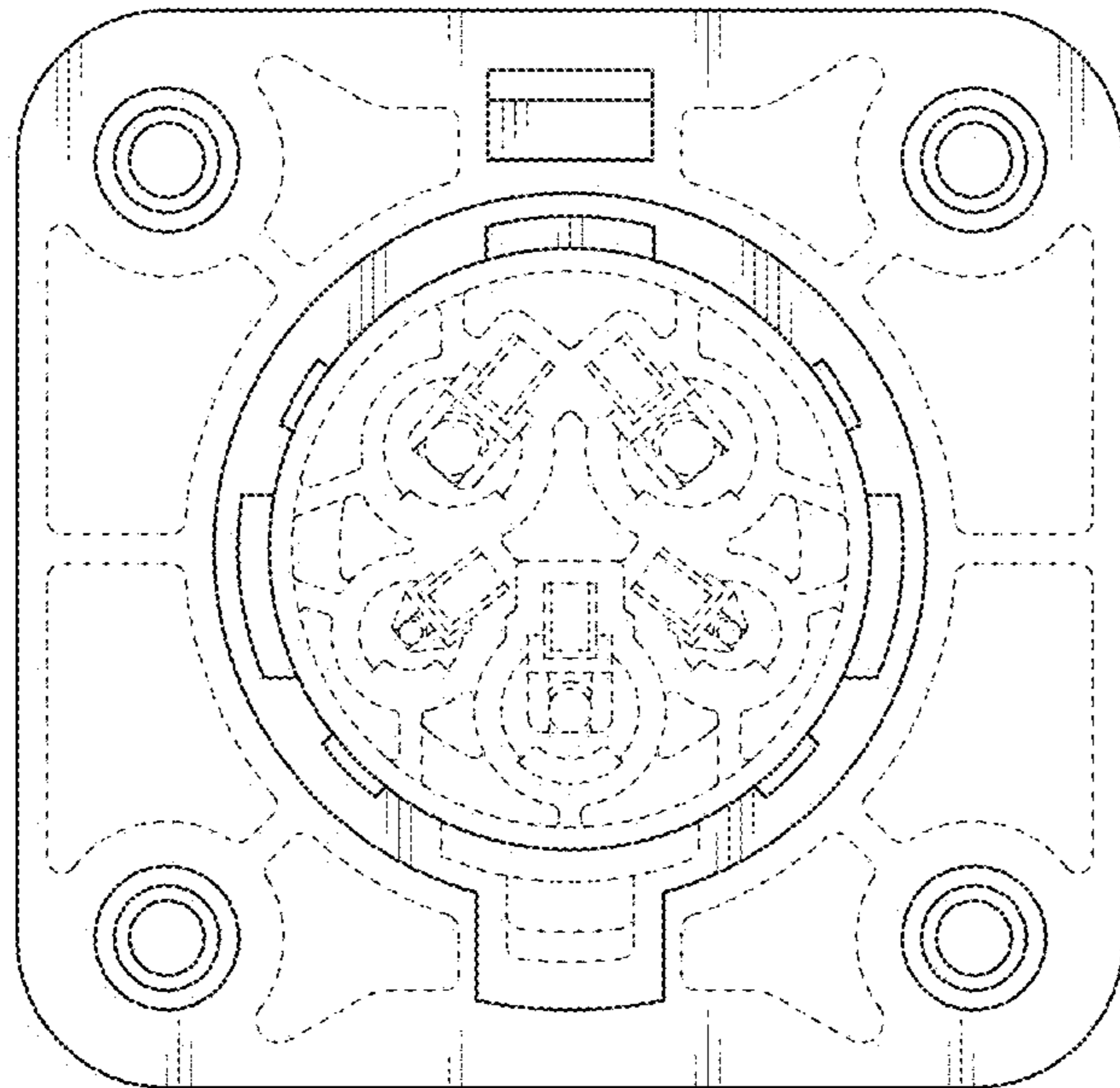


Fig. 4

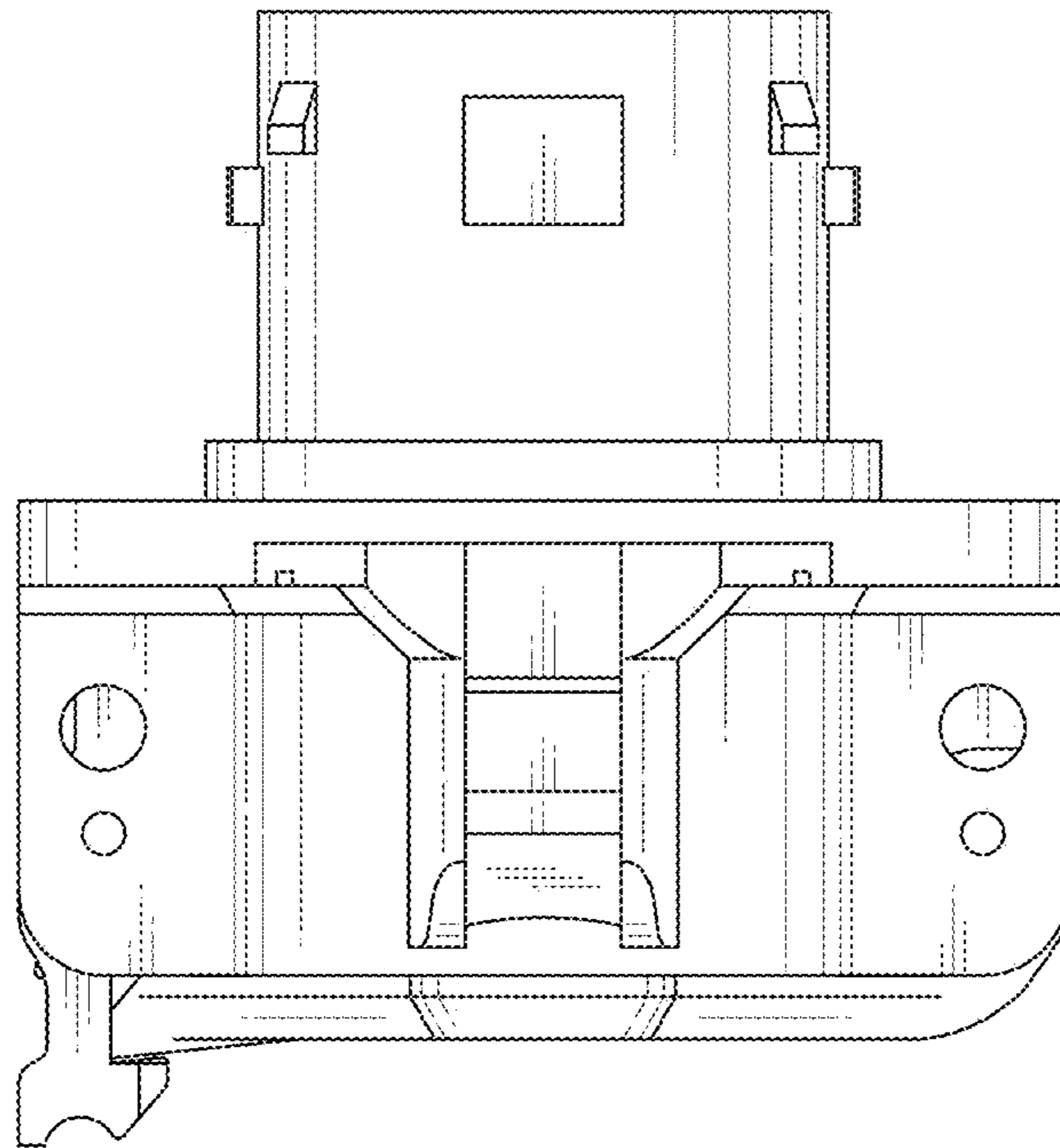


Fig. 5

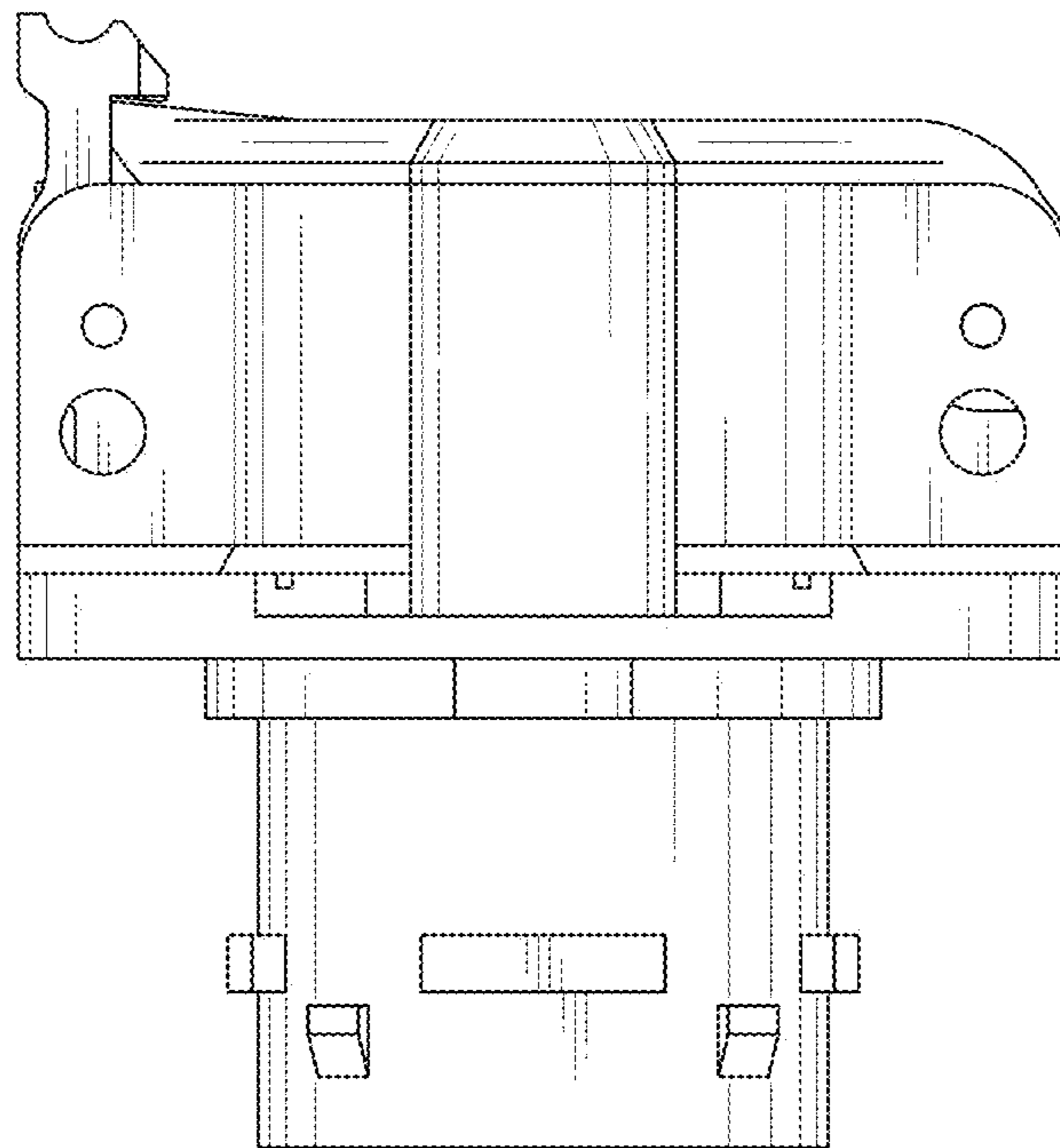


Fig. 6

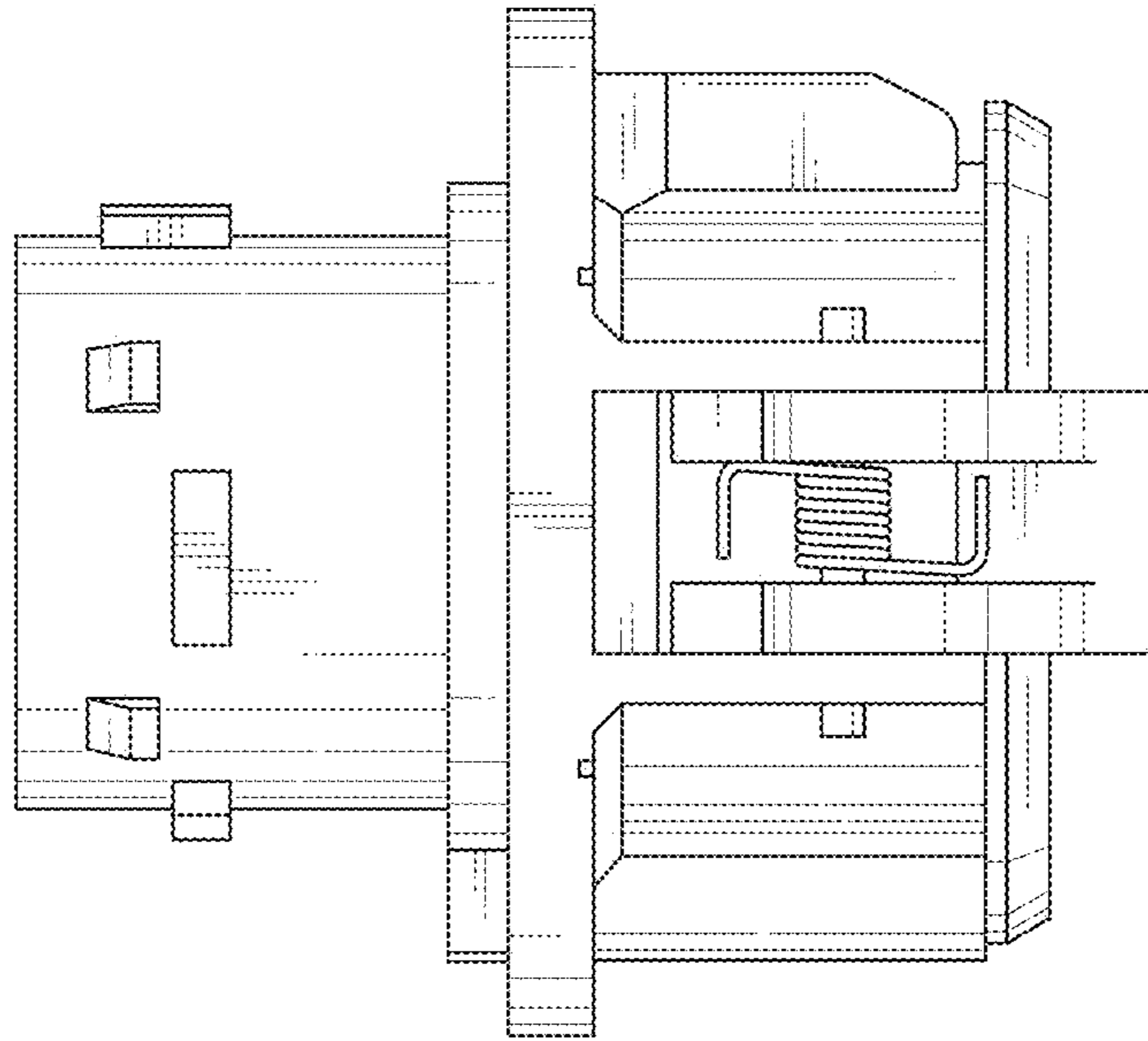


Fig. 7

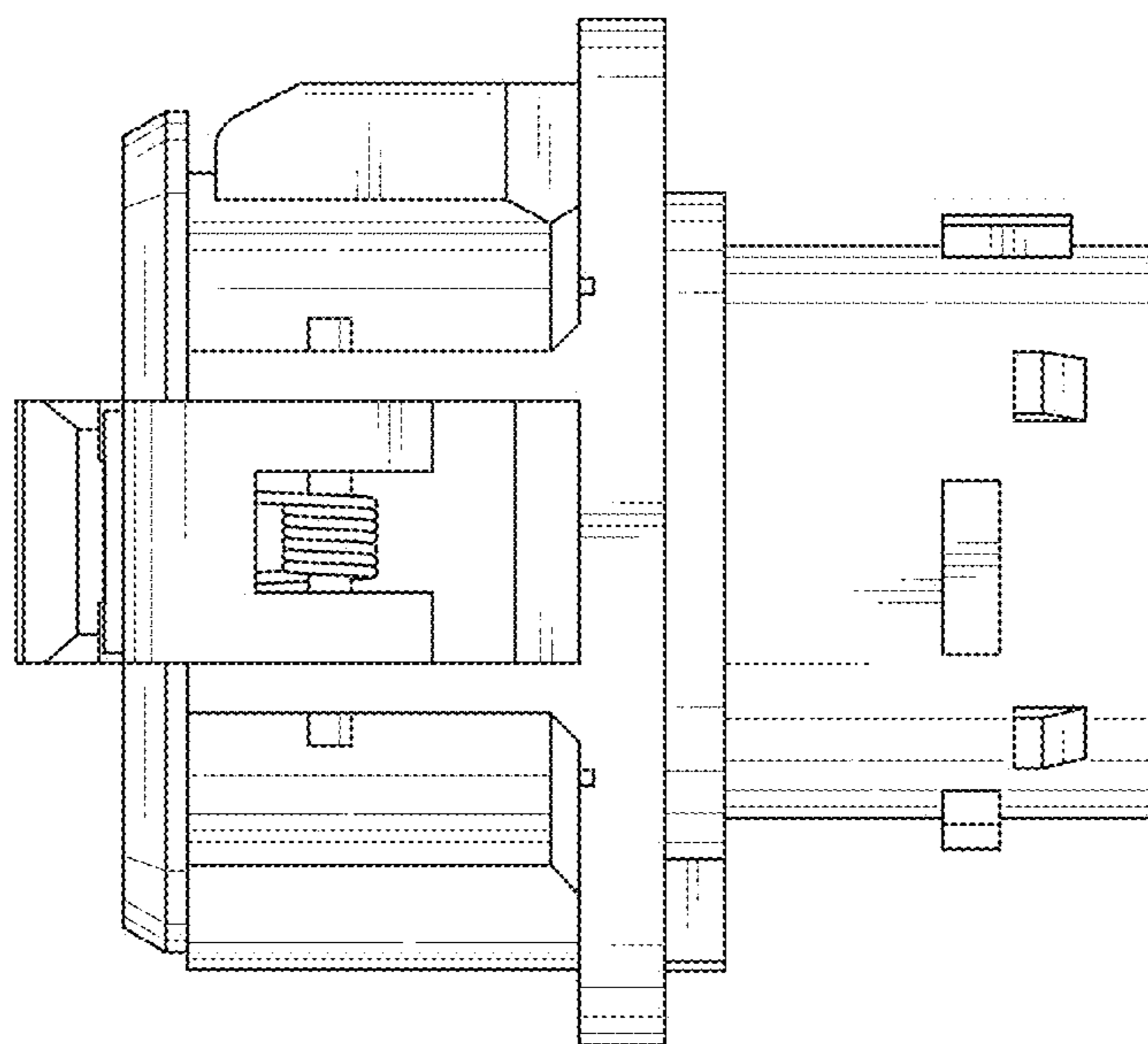


Fig. 8

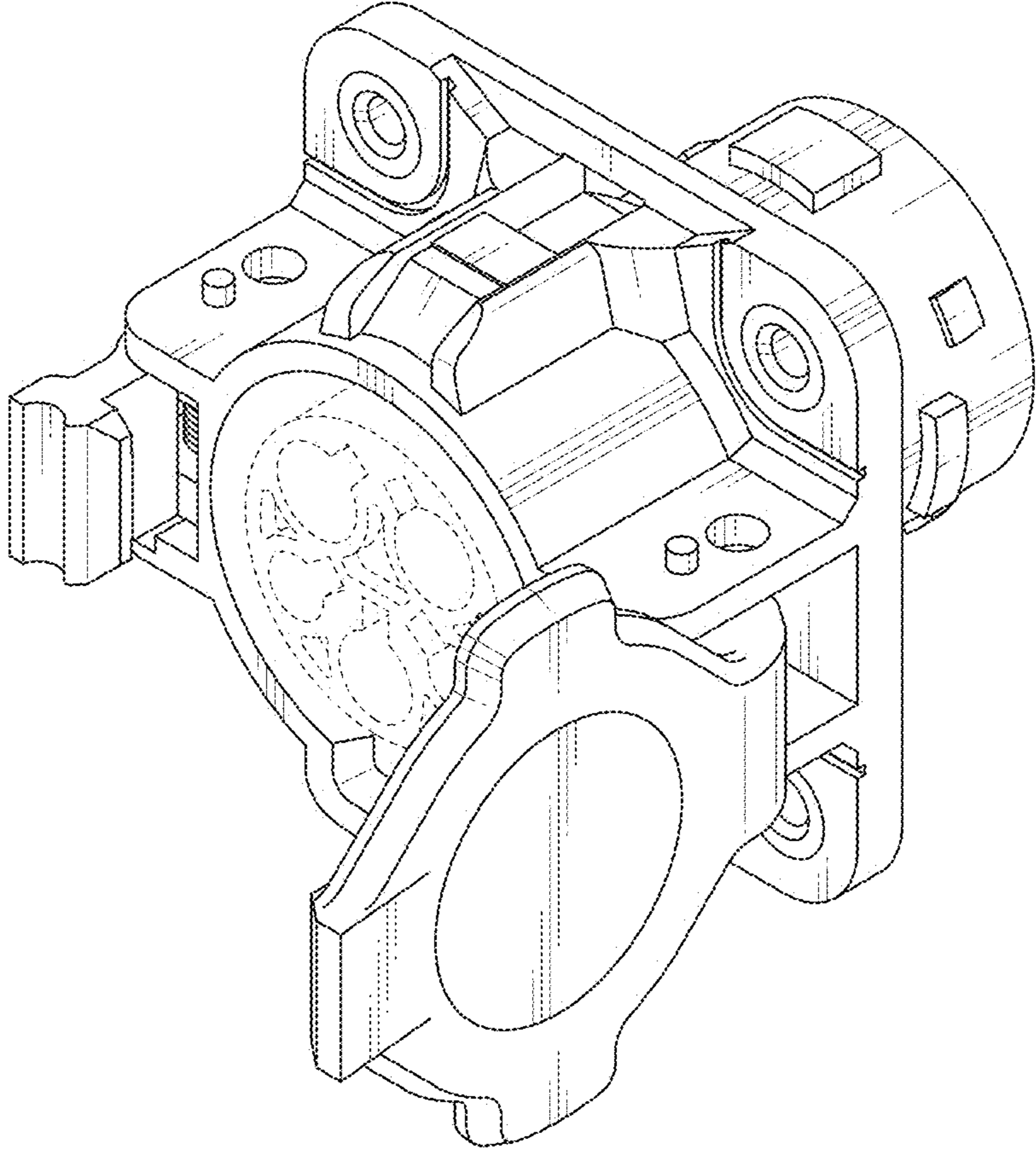


Fig. 9

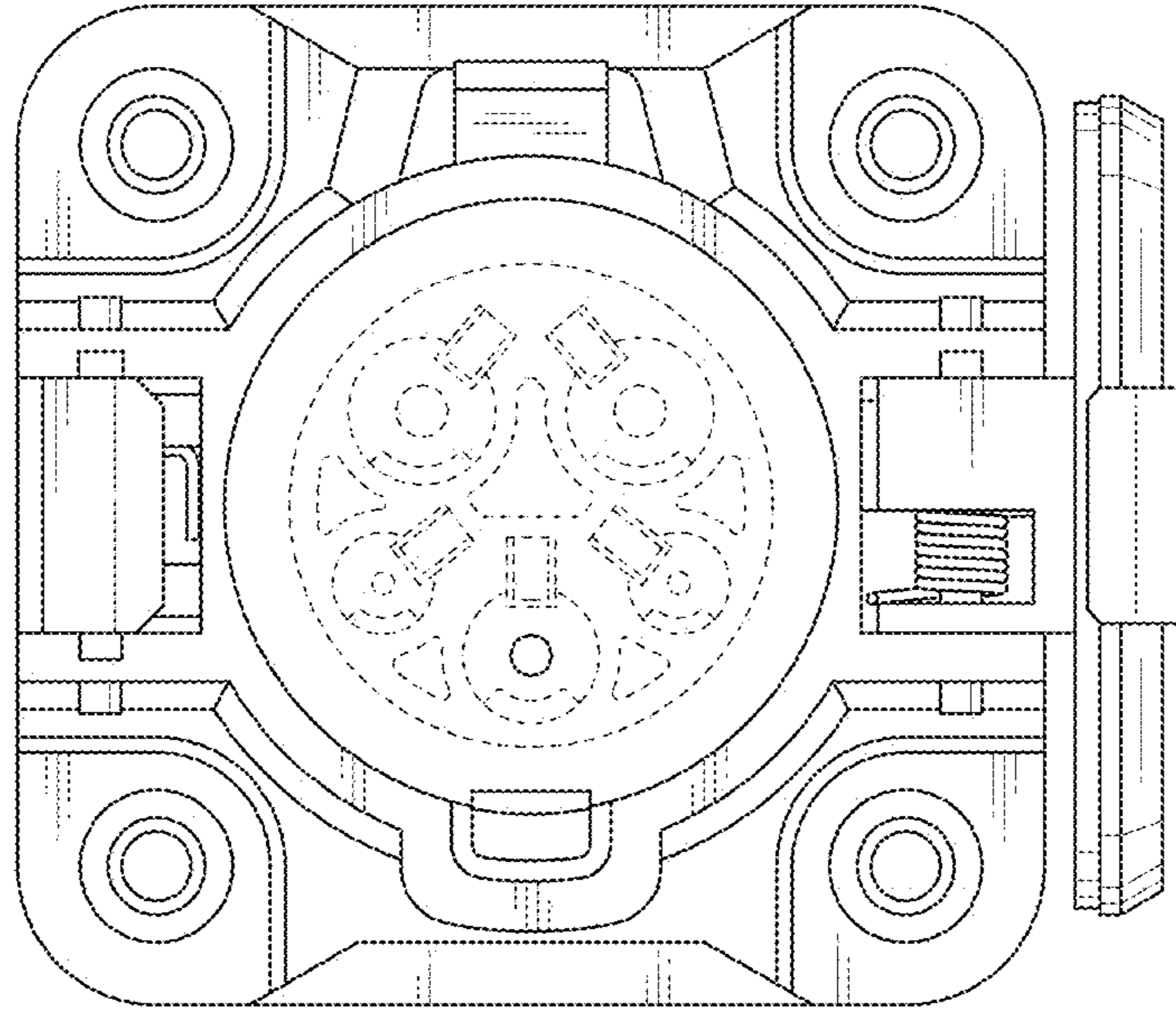


Fig. 10

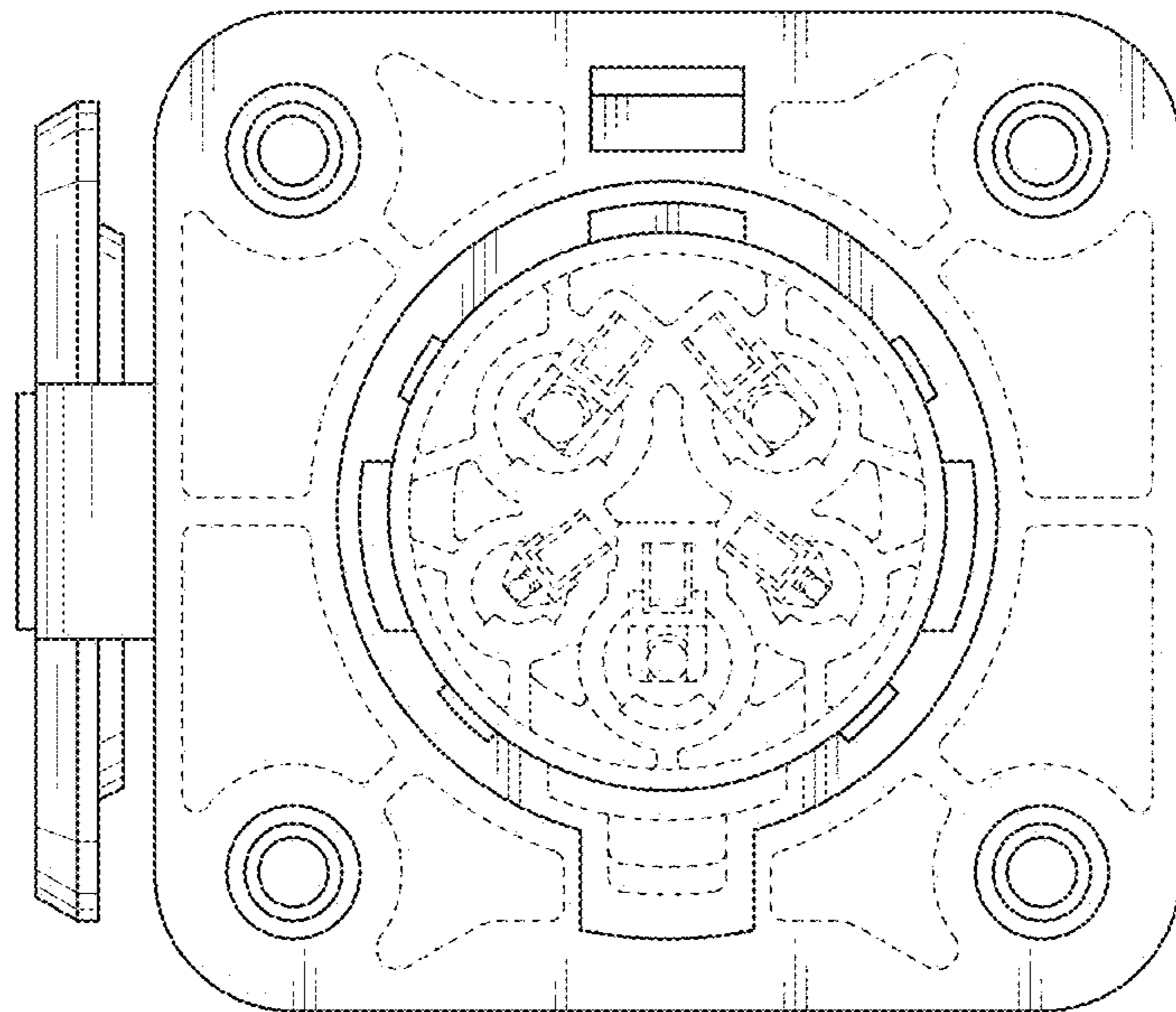


Fig. 11

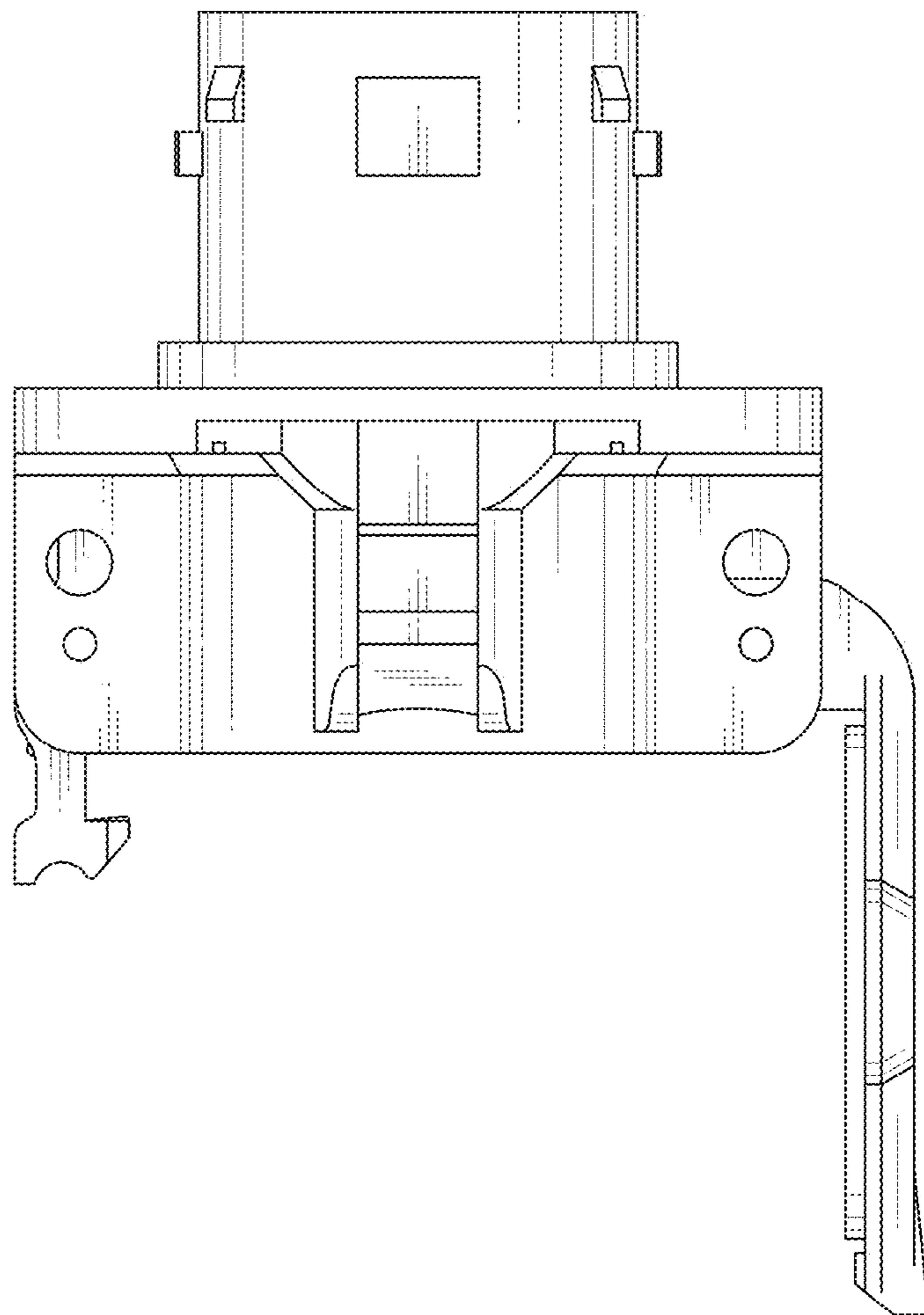


Fig. 12

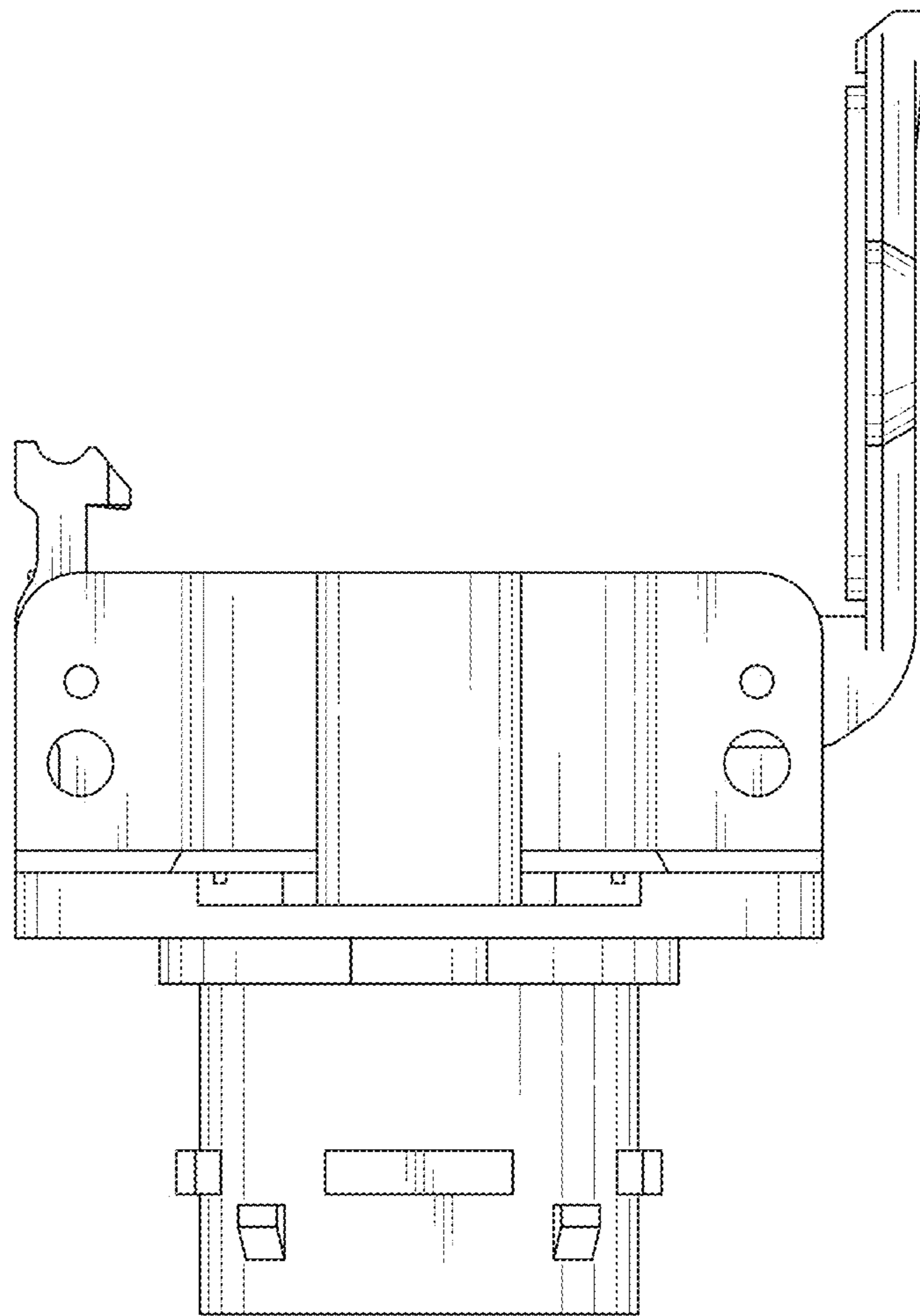


Fig. 13

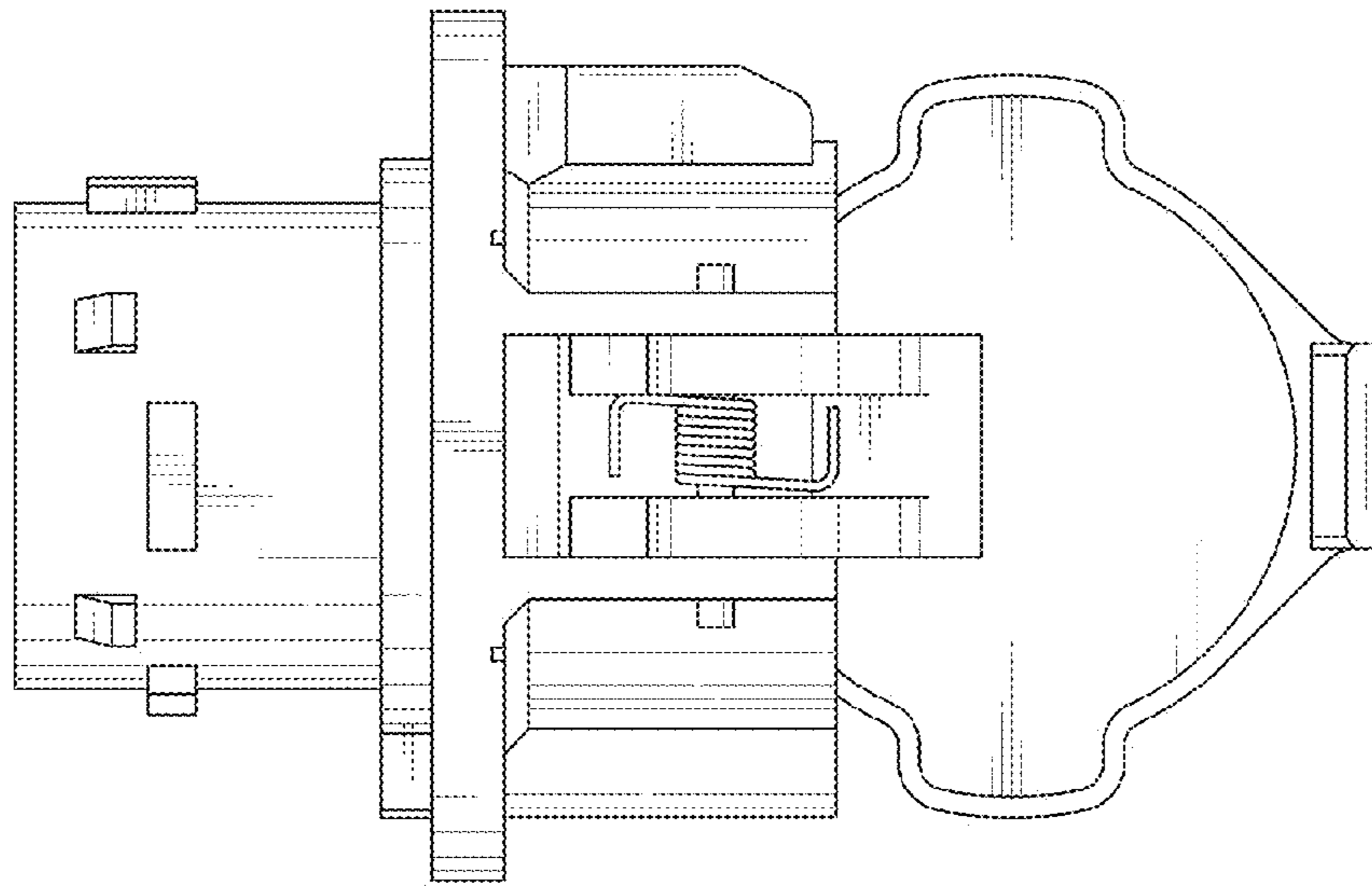


Fig. 14

