



US00D698728S

(12) **United States Design Patent**
Chen et al.

(10) **Patent No.:** **US D698,728 S**

(45) **Date of Patent:** **** Feb. 4, 2014**

(54) **ELECTRICAL ADAPTER**

(71) Applicant: **Hon Hai Precision Industry Co., Ltd.**,
New Taipei (TW)

(72) Inventors: **Cheng-Pang Chen**, New Taipei (TW);
Yung-Chang Cheng, New Taipei (TW)

(73) Assignee: **Hon Hai Precision Industry Co., Ltd.**,
New Taipei (TW)

(**) Term: **14 Years**

(21) Appl. No.: **29/456,746**

(22) Filed: **Jun. 4, 2013**

(30) **Foreign Application Priority Data**

Dec. 10, 2012 (TW) 101307361 A

(51) **LOC (10) Cl.** **13-03**

(52) **U.S. Cl.**
USPC **D13/137.2**

(58) **Field of Classification Search**
USPC D13/152, 164, 184, 137.1, 139.1, 153,
D13/137.2, 133, 137.4, 139.7, 130, 128,
D13/132, 138.2, 139.3, 139.4, 139.8, 139.6,
D13/123, 160, 107, 137.3, 138.1, 139.2,
D13/139.5, 162, 178, 199; 361/683, 118,
361/119; D9/416, 423; 52/173.1, 656.2;
248/231.91

See application file for complete search history.

(56) **References Cited**

U.S. PATENT DOCUMENTS

D438,170 S * 2/2001 Hofbauer D13/107
D440,206 S * 4/2001 Carroll et al. D13/162
D483,014 S * 12/2003 Hsiao D13/107
D490,775 S * 6/2004 Hsiao D13/139.7
D546,280 S * 7/2007 Marchetto et al. D13/107
D594,404 S * 6/2009 Kuo et al. D13/107

D668,220 S * 10/2012 Chu D13/107
D670,241 S * 11/2012 Shaanan D13/107
D688,623 S * 8/2013 Carreon et al. D13/107

OTHER PUBLICATIONS

<http://androidandme.com/tag/qi/>.*

(Continued)

Primary Examiner — Robert M Spear

Assistant Examiner — Rhea Shields

(74) *Attorney, Agent, or Firm* — Wei Te Chung; Ming Chieh Chang

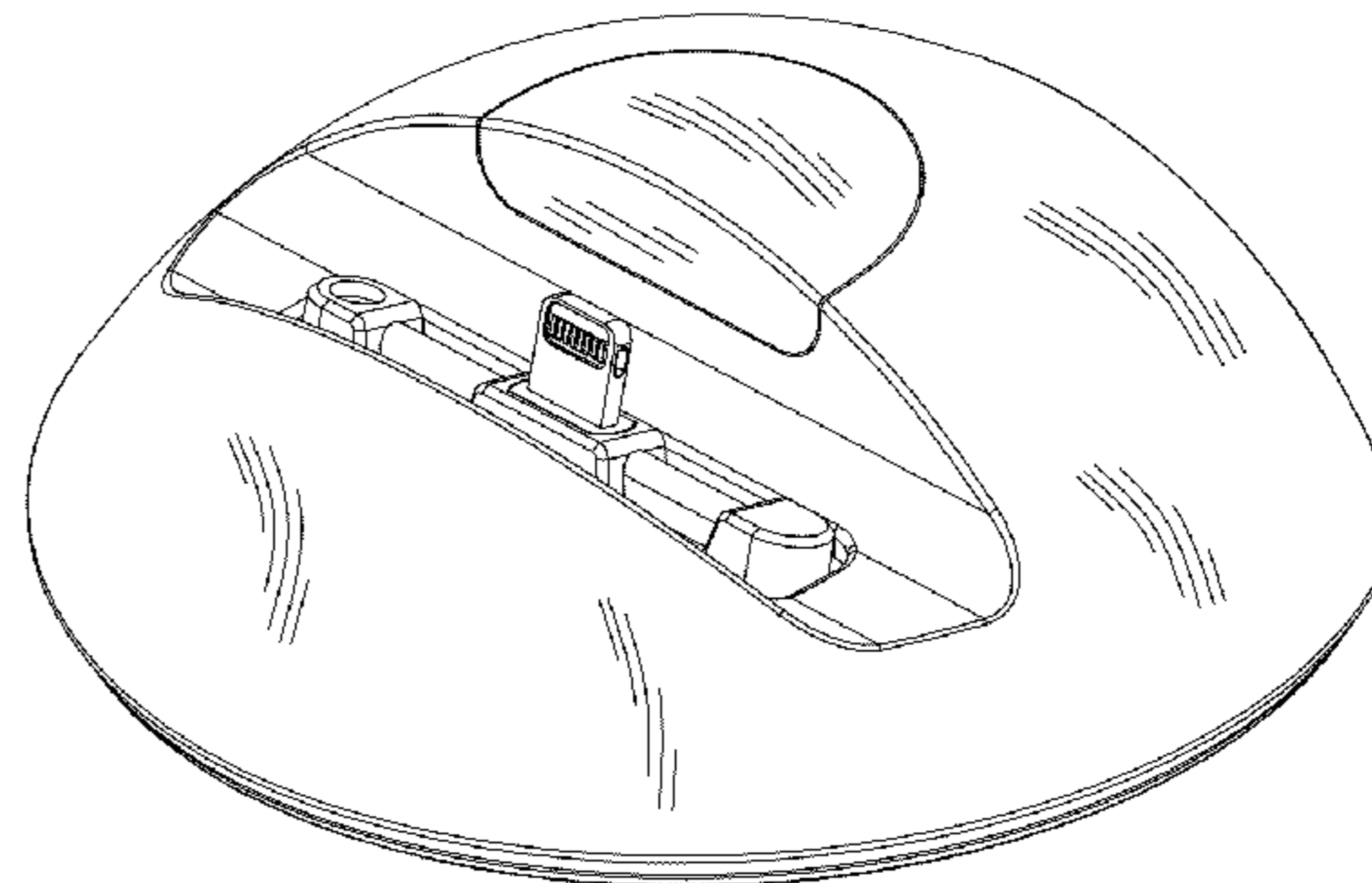
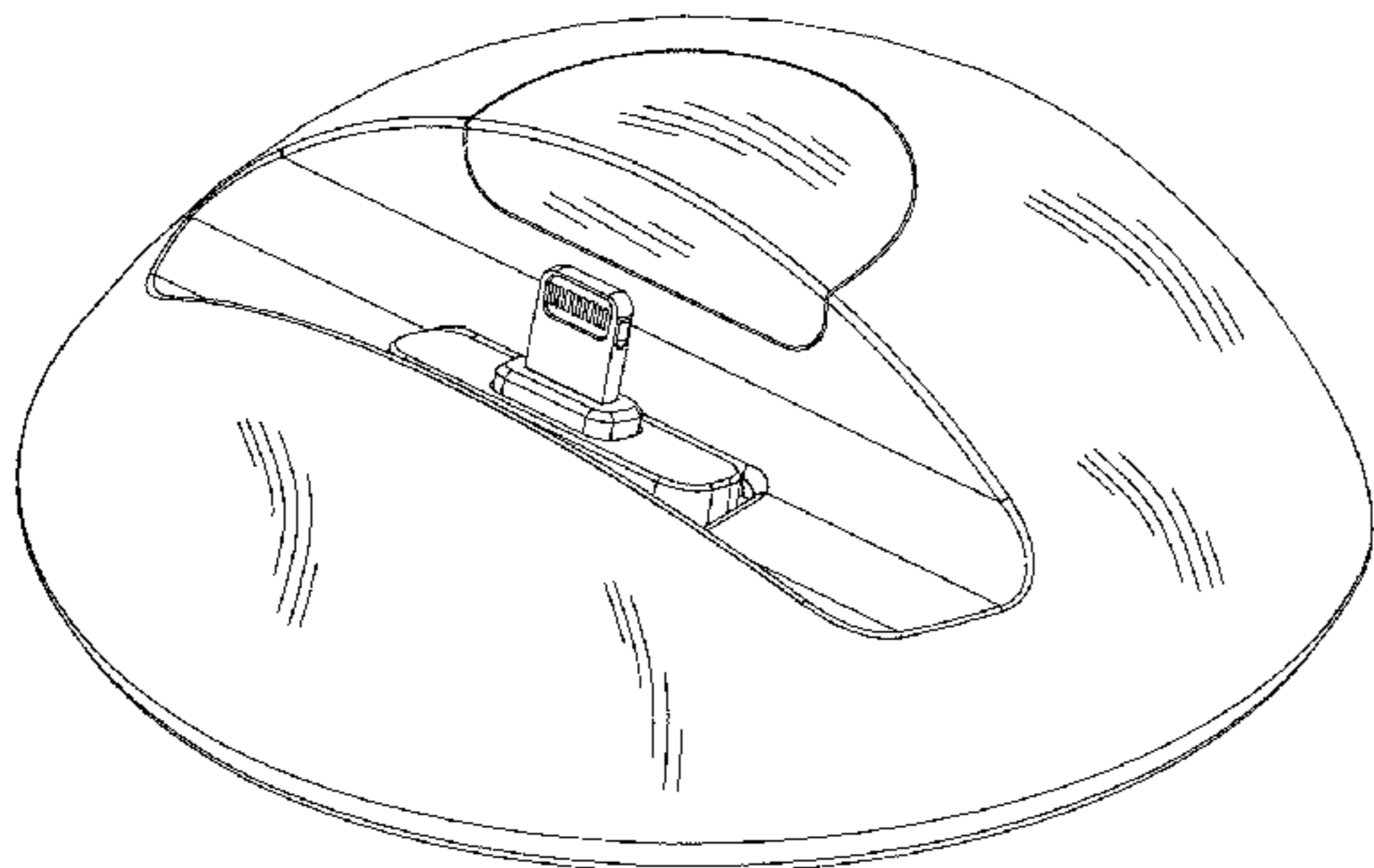
(57) **CLAIM**

The ornamental design for an electrical adapter, as shown and described.

DESCRIPTION

FIG. 1 is a front, top and right side perspective view of a first embodiment of an electrical adapter showing our new design; FIG. 2 is a front elevational view thereof; FIG. 3 is a rear elevational view thereof; FIG. 4 is a left side elevational view thereof; FIG. 5 is a right side elevational view thereof; FIG. 6 is a top plan view thereof; FIG. 7 is a bottom plan view thereof; and FIG. 8 is a rear, top and right side perspective view showing the electrical adapter with an electronic device. FIG. 9 is a front, top and right side perspective view of a second embodiment of an electrical adapter showing our new design; FIG. 10 is a front elevational view thereof; FIG. 11 is a rear elevational view thereof; FIG. 12 is a left side elevational view thereof; FIG. 13 is a right side elevational view thereof; FIG. 14 is a top plan view thereof; and, FIG. 15 is a bottom plan view thereof. The broken lines in the figures illustrate unclaimed environment only and form no part of the claimed design.

1 Claim, 15 Drawing Sheets



(56)

References Cited

OTHER PUBLICATIONS

<http://www.sinoele.com/blog/tag/chinese-multiple-cell-phones-charger>.*

[http://www.google.com/imgres?sa=X&biw=1579&bih=909
&tbn=isch&tbnid=pDNrXdv . . . *](http://www.google.com/imgres?sa=X&biw=1579&bih=909&tbn=isch&tbnid=pDNrXdv...)

* cited by examiner

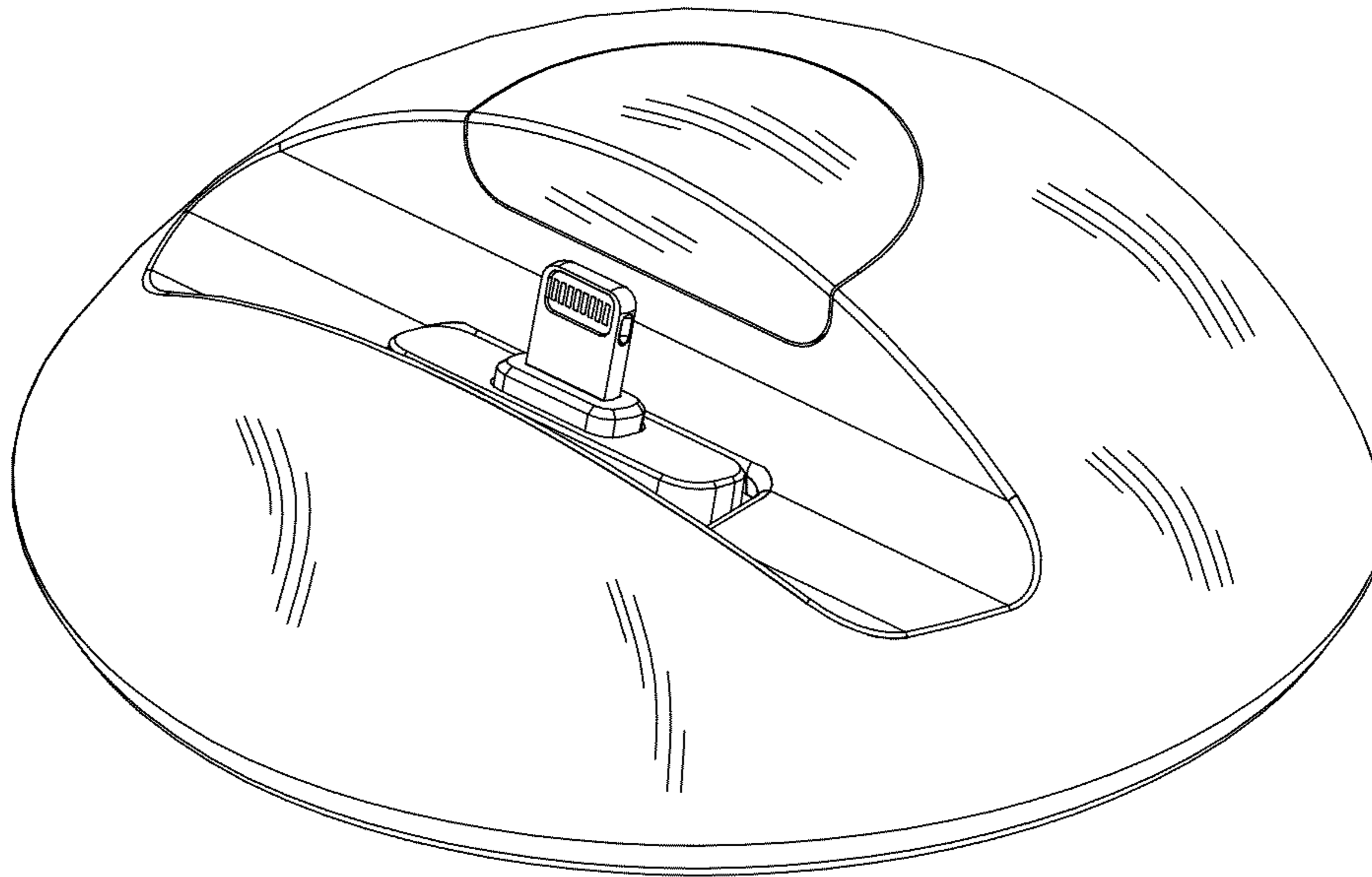


FIG. 1

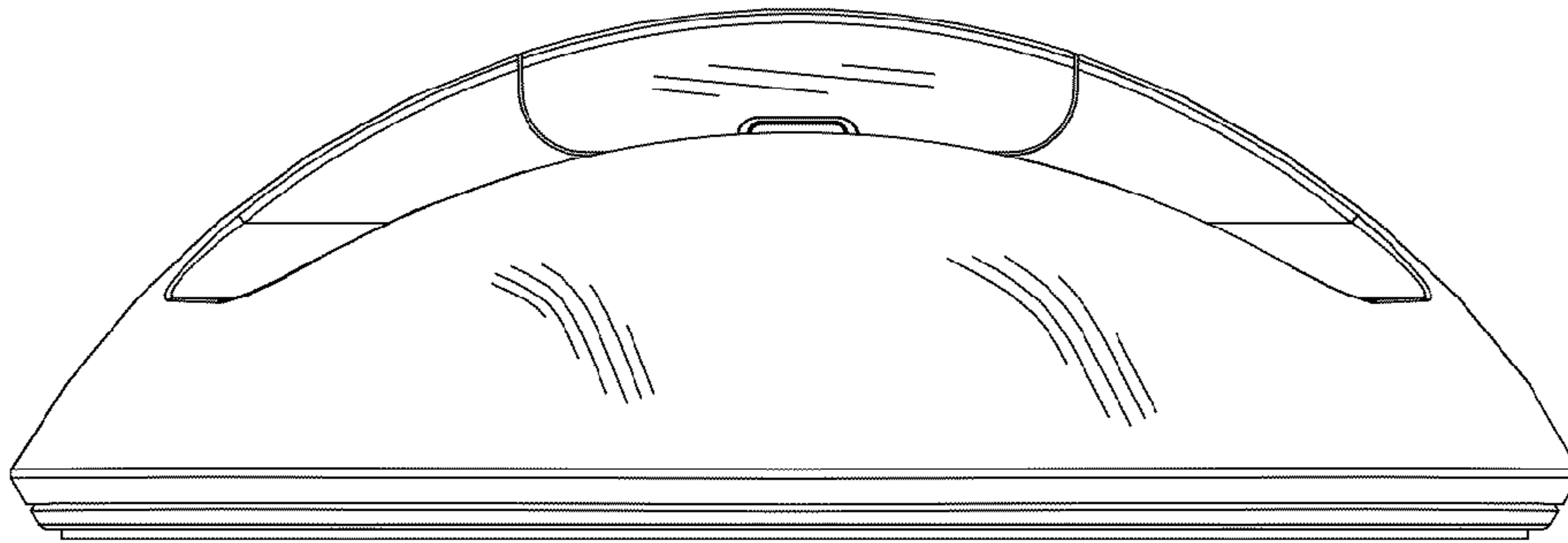


FIG. 2

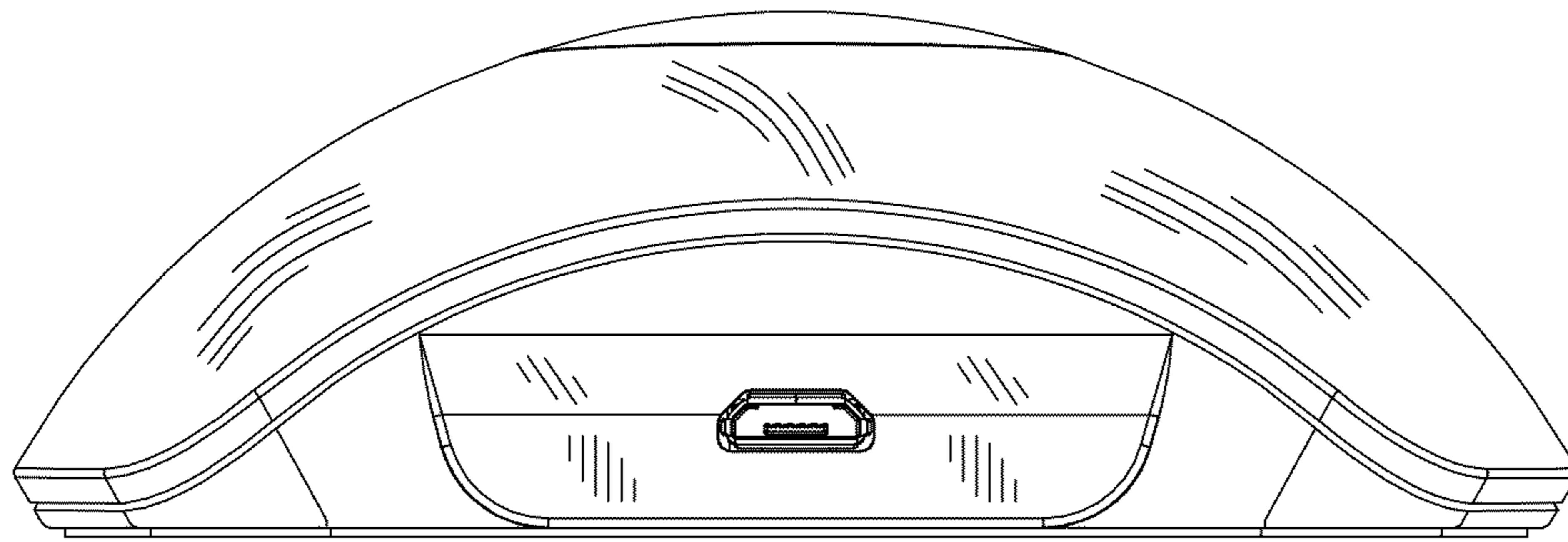


FIG. 3

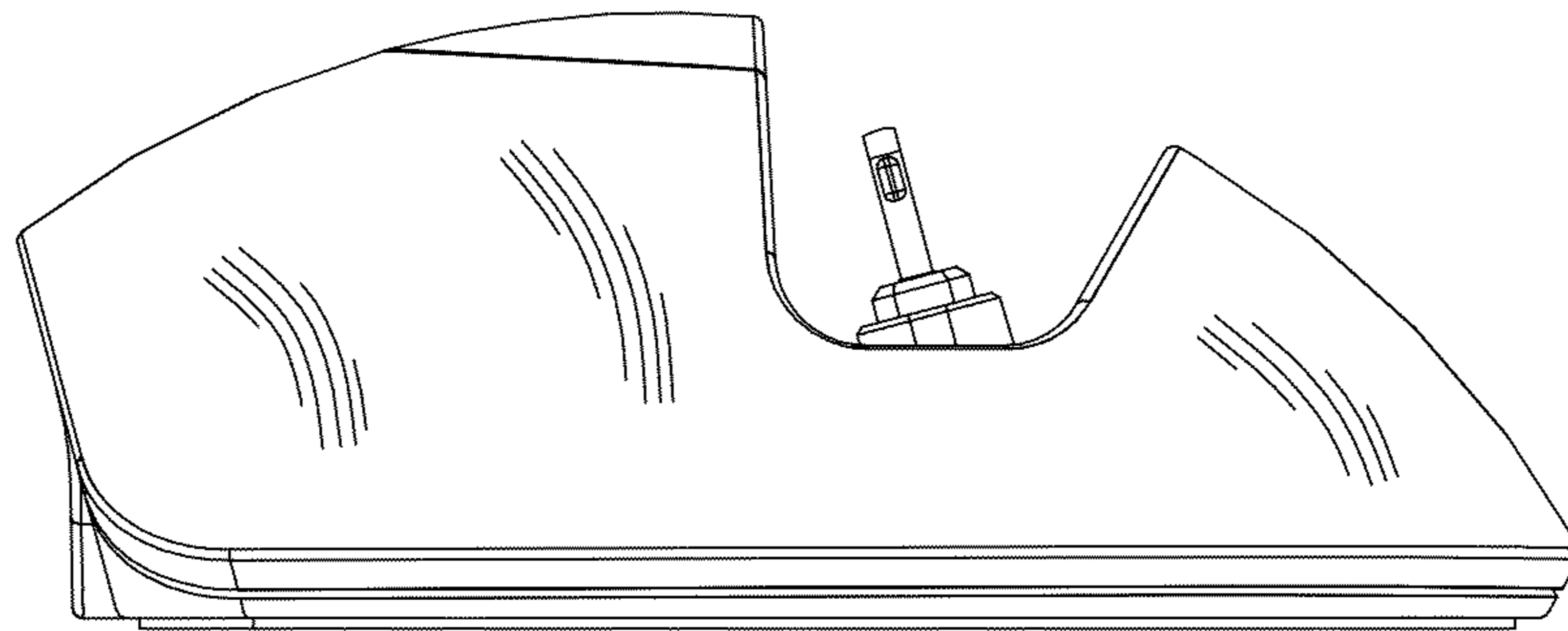


FIG. 4

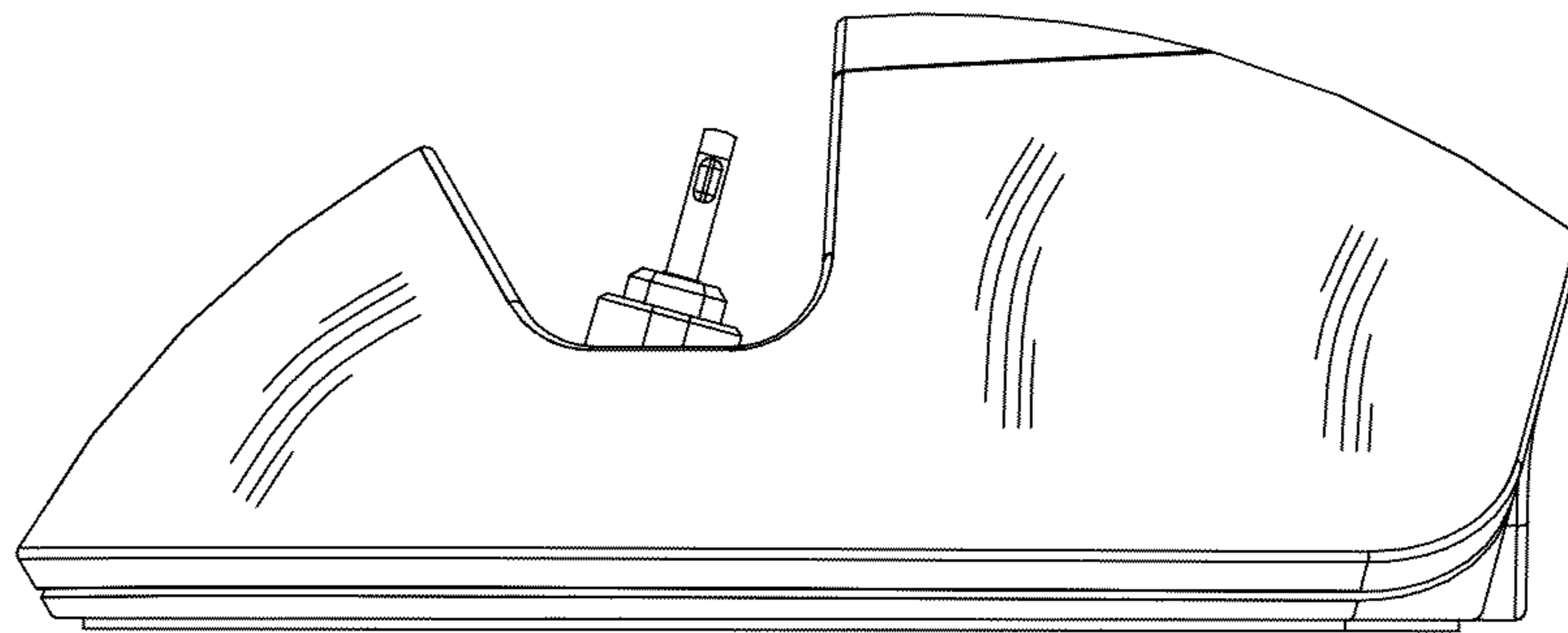


FIG. 5

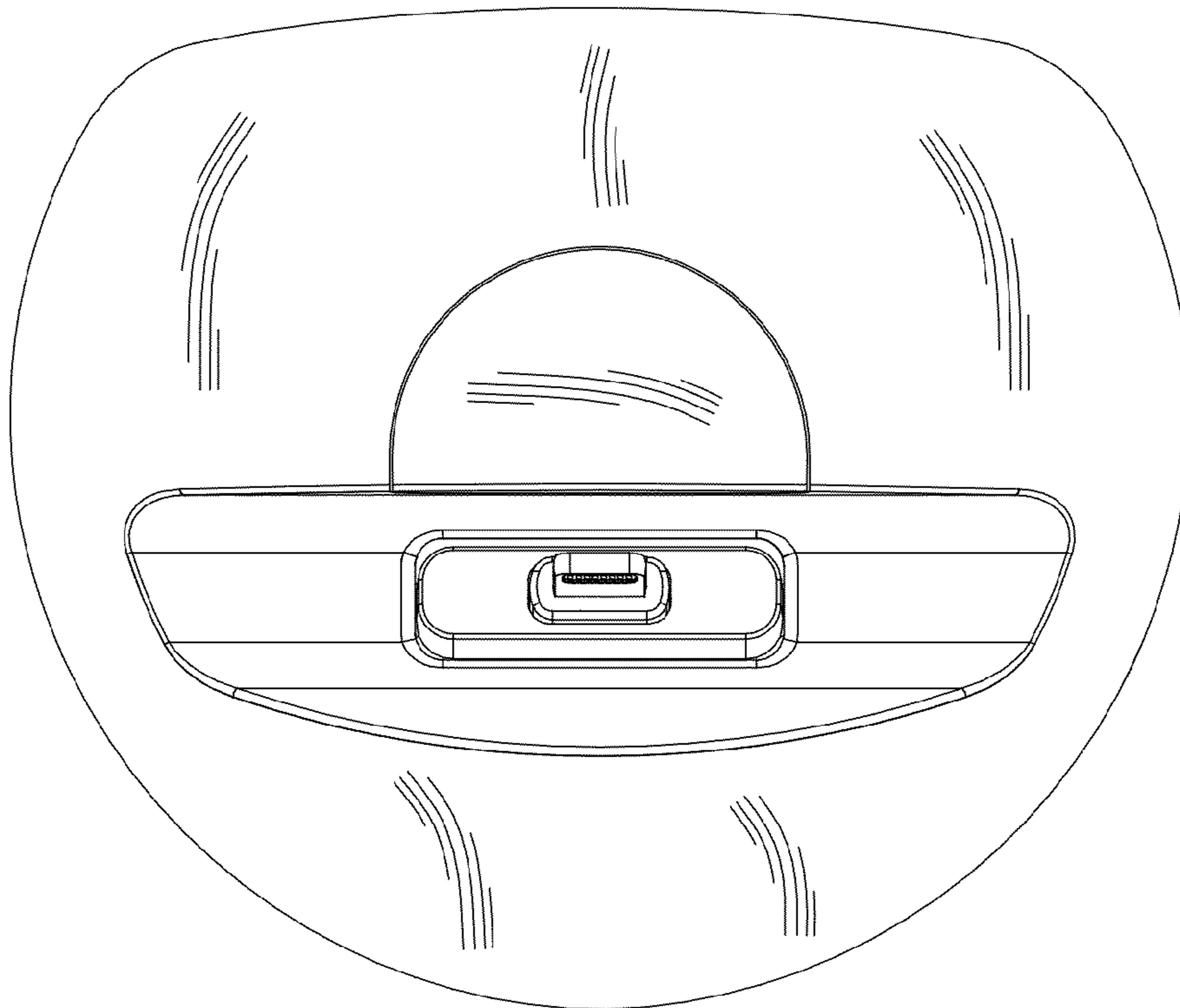


FIG. 6

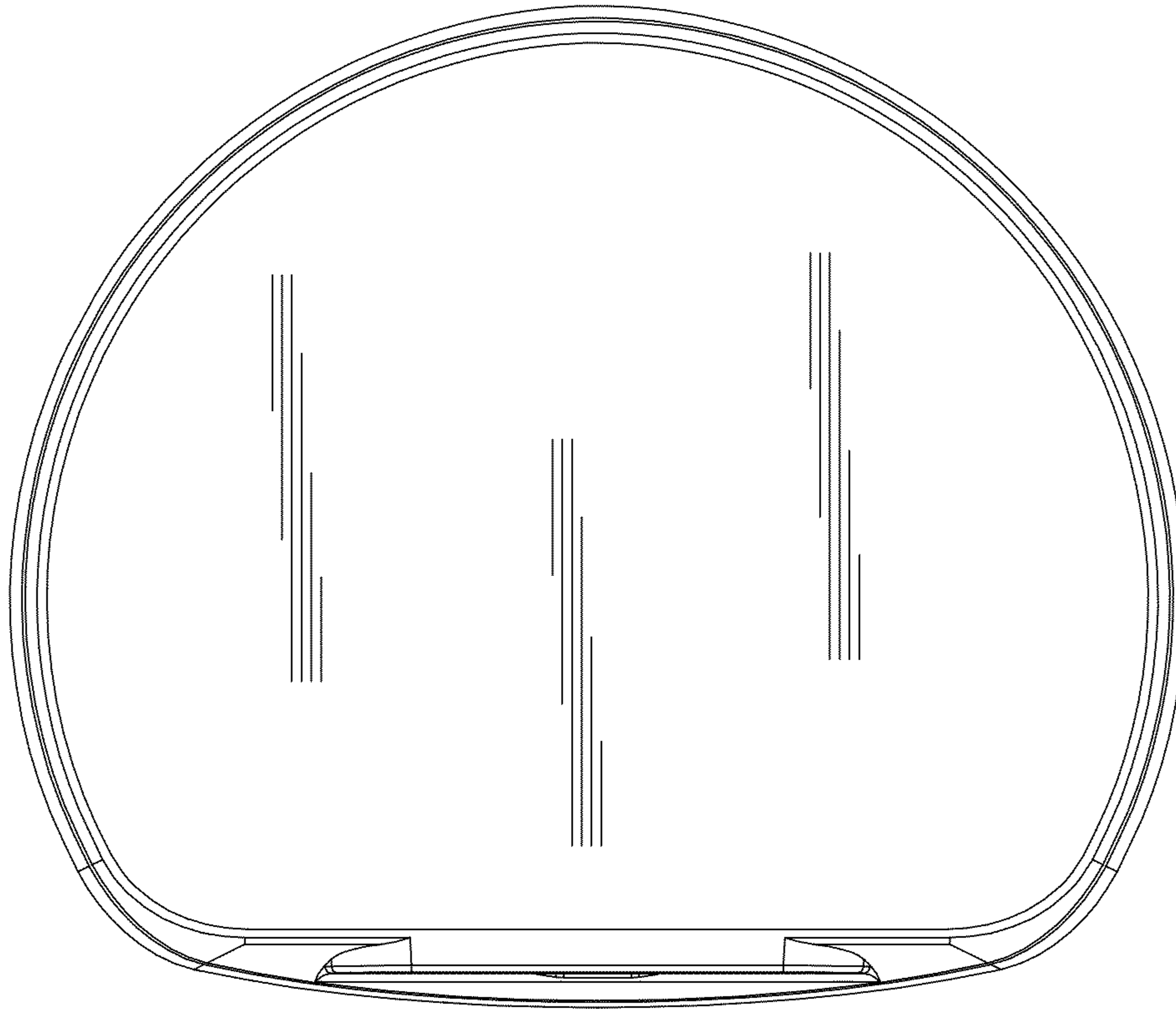


FIG. 7

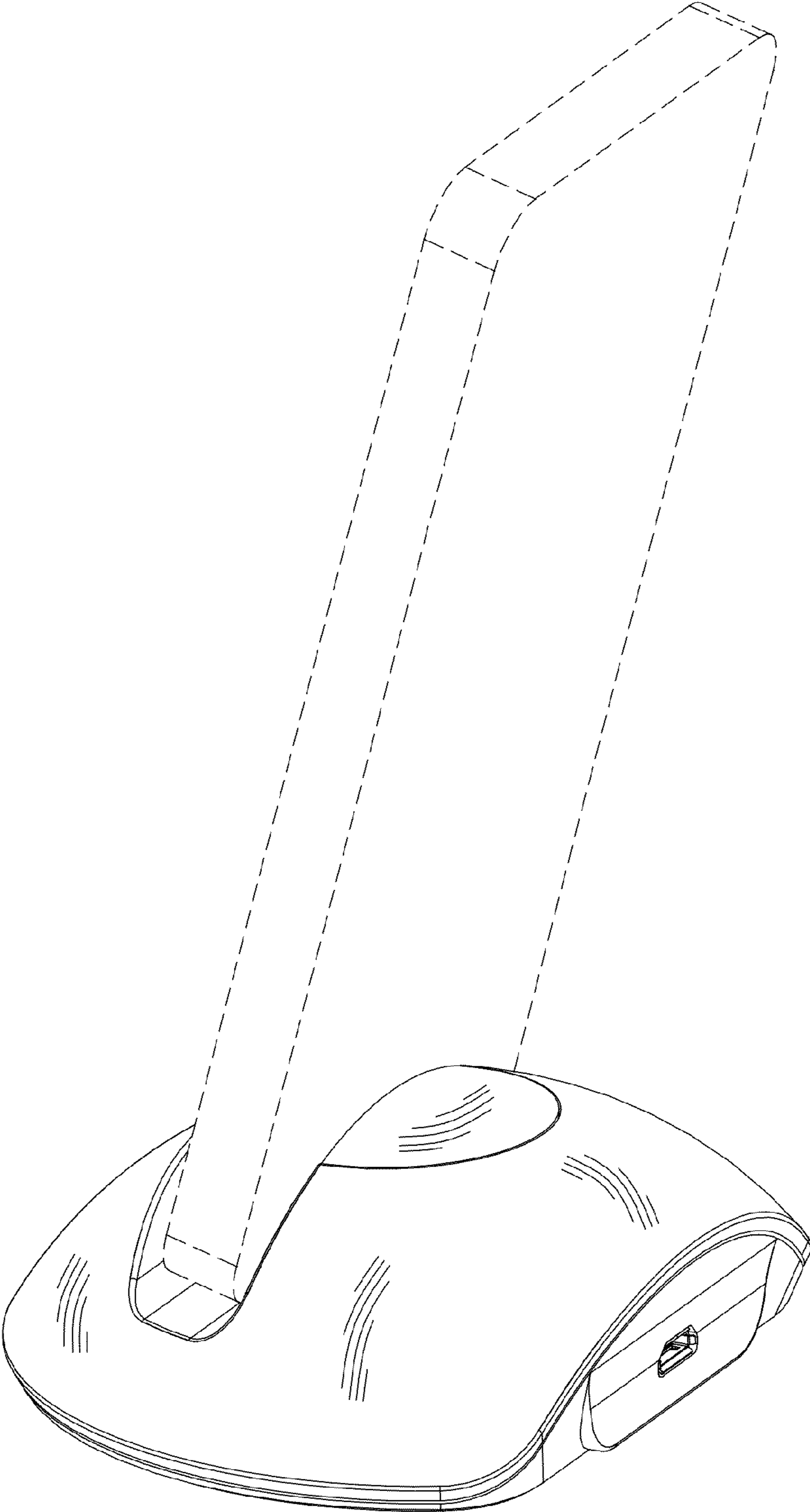


FIG. 8

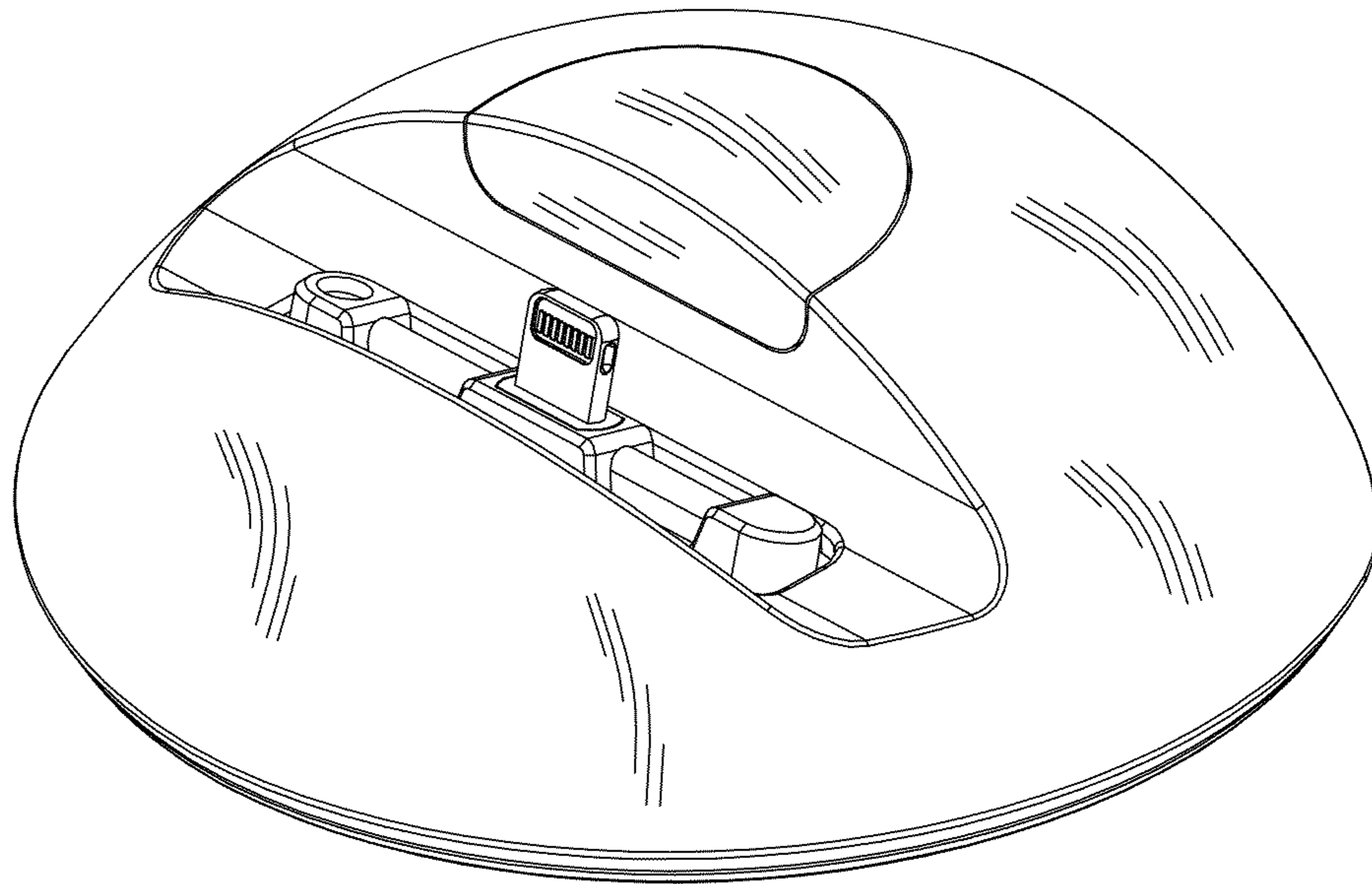


FIG. 9

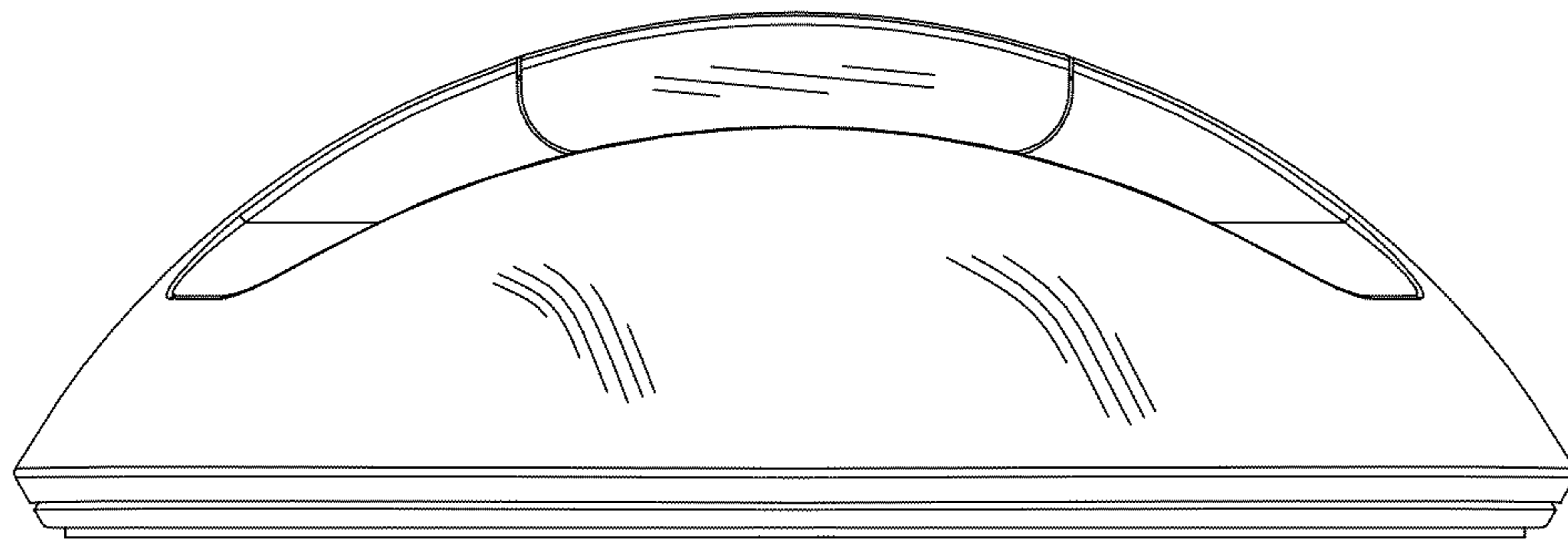


FIG. 10

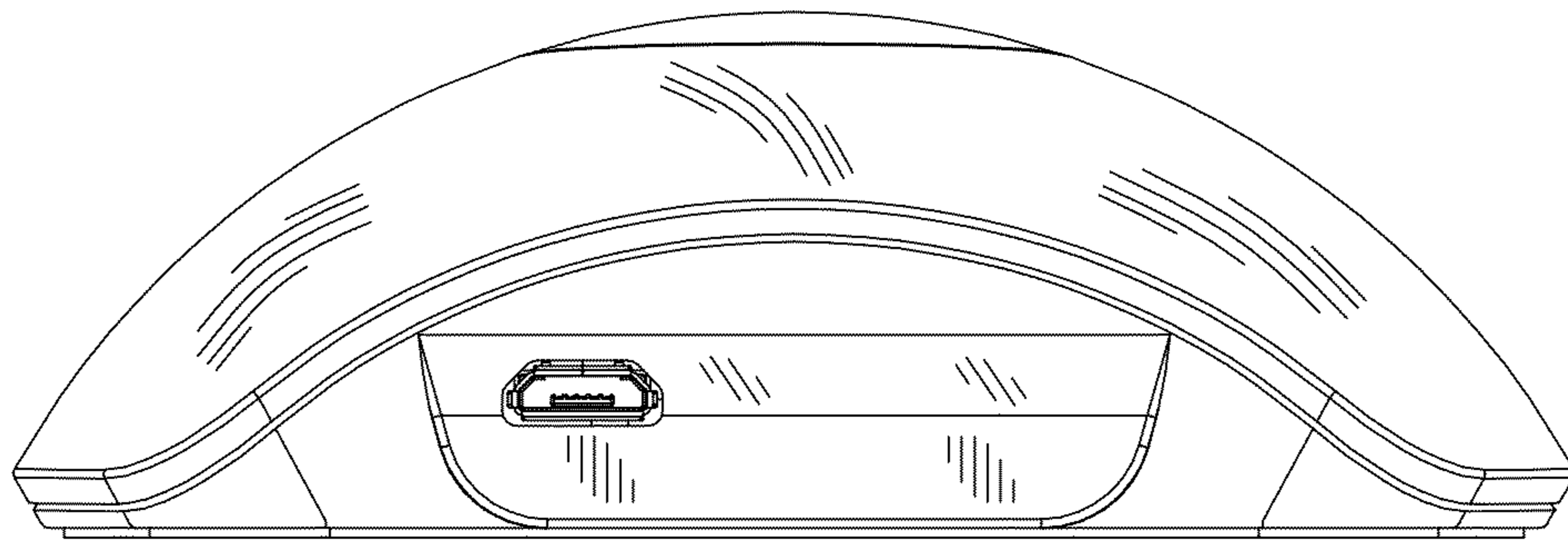


FIG. 11

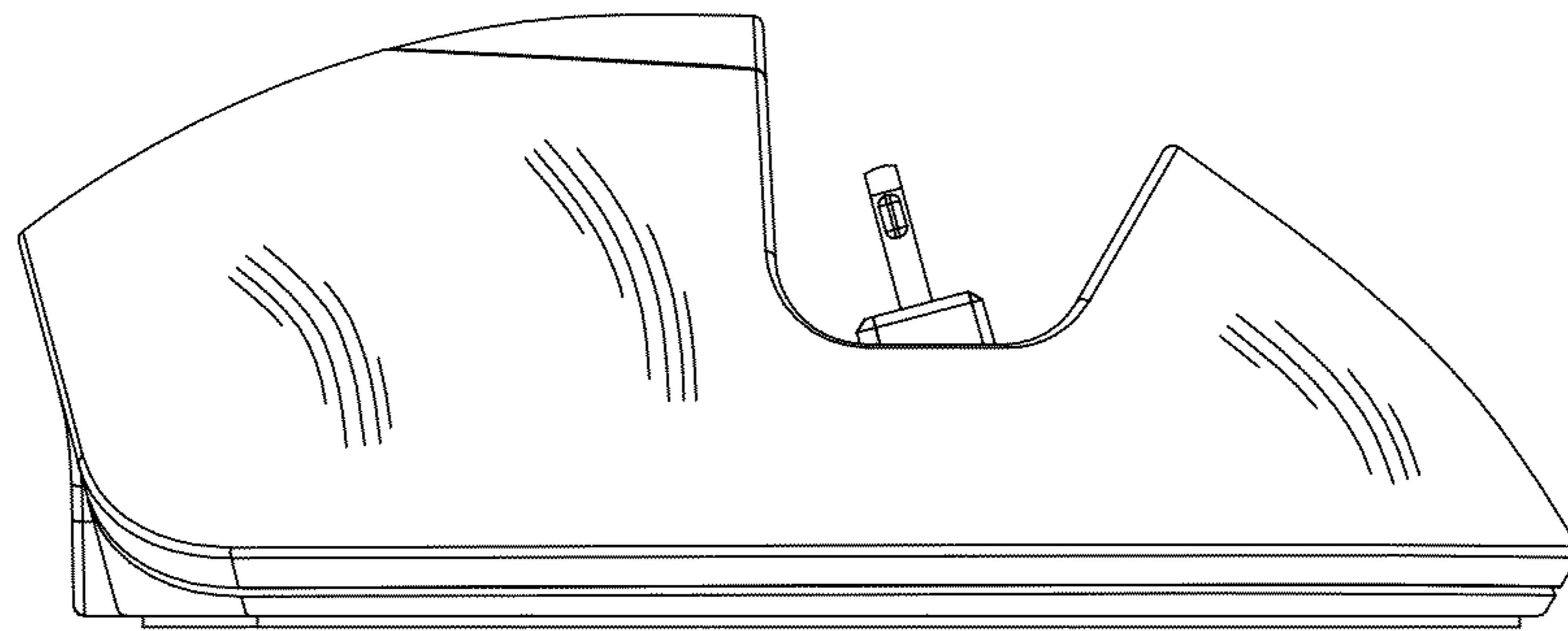


FIG. 12

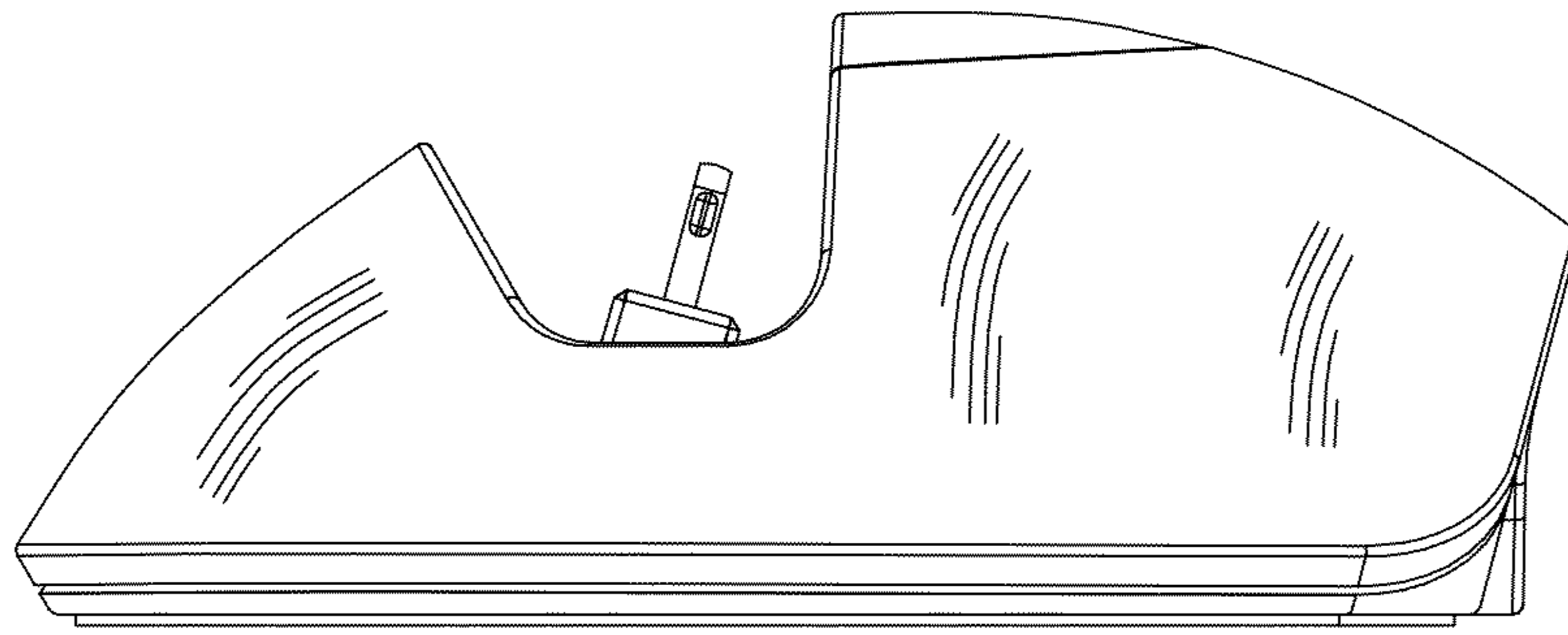


FIG. 13

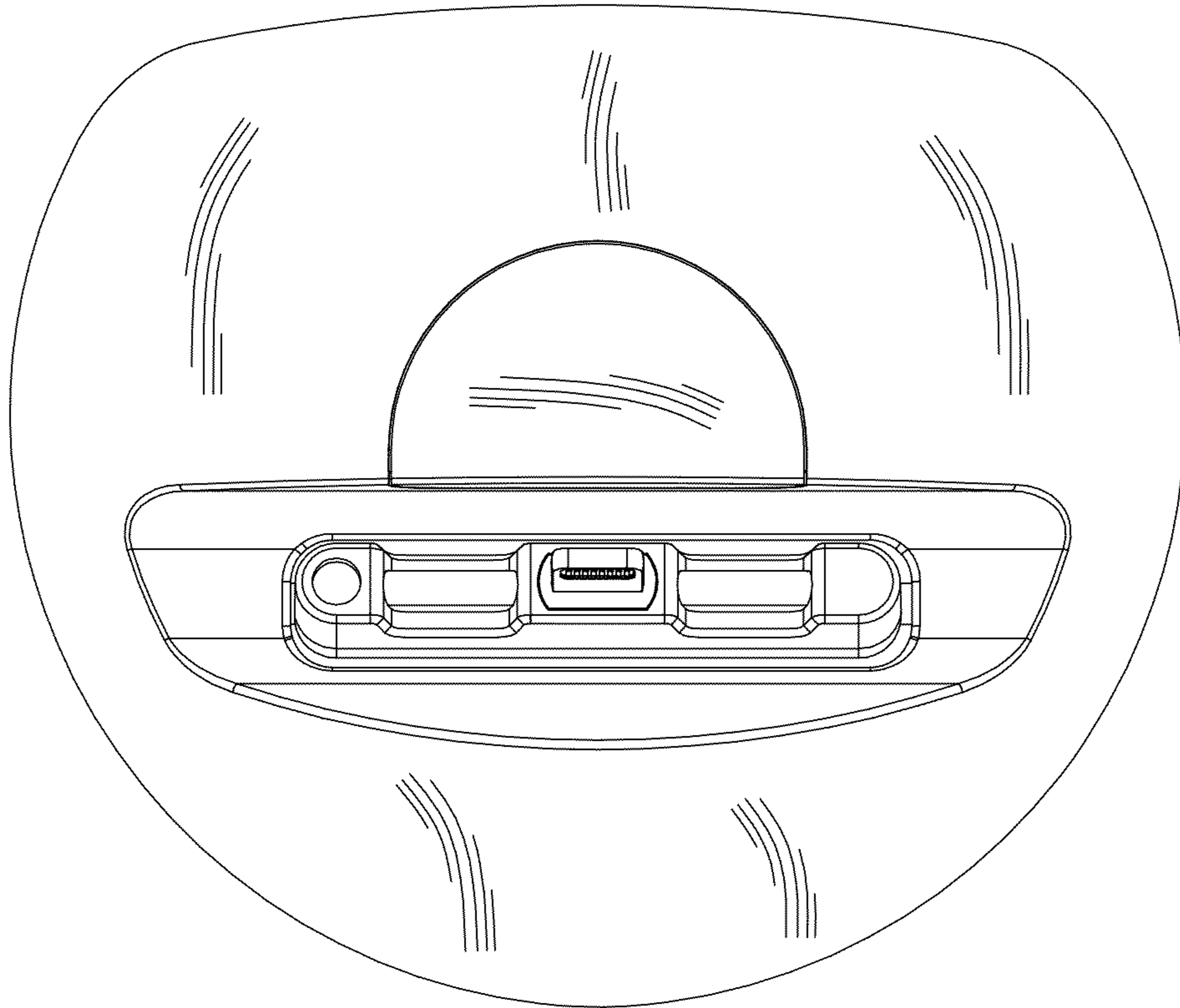


FIG. 14

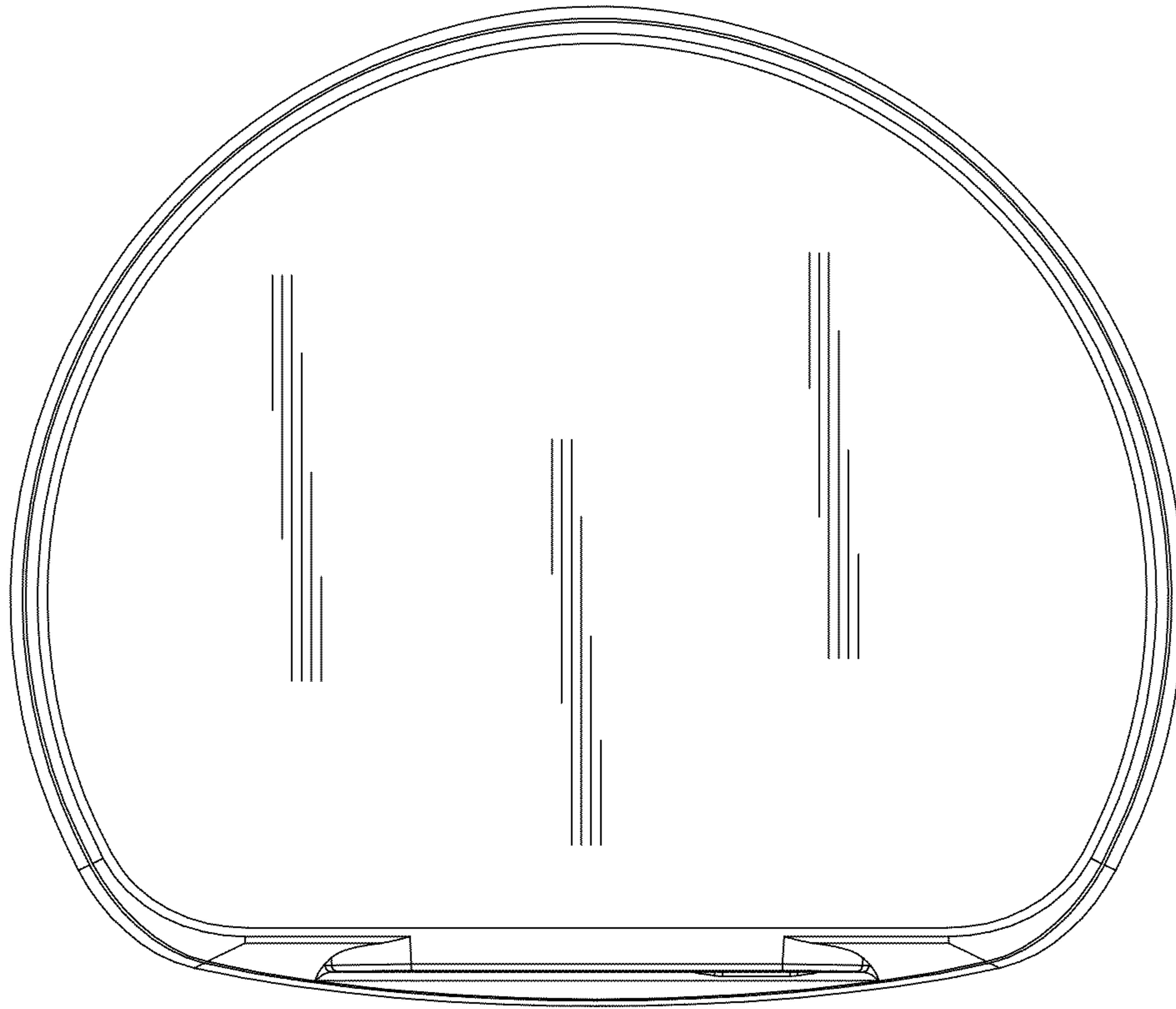


FIG. 15