



US00D698727S

(12) **United States Design Patent**
Steel

(10) **Patent No.:** **US D698,727 S**
(45) **Date of Patent:** **** Feb. 4, 2014**

(54) **TWIN VERTICAL-AXIS WIND TURBINE WITH AUTOMATIC WIND TRACKING**

(76) Inventor: **Dennis Patrick Steel, Moers (DE)**

(**) Term: **14 Years**

(21) Appl. No.: **29/408,349**

(22) Filed: **Dec. 12, 2011**

(30) **Foreign Application Priority Data**

Jun. 10, 2011 (DE) 402011002976

(51) **LOC (10) Cl.** **13-01**

(52) **U.S. Cl.**
USPC **D13/115**

(58) **Field of Classification Search**
USPC D13/101, 115, 199; D15/1, 199;
290/55; 415/4.2, 122.1, 162, 176-177,
415/196 A, 197 A, 907

See application file for complete search history.

(56) **References Cited**

U.S. PATENT DOCUMENTS

1,441,774	A *	1/1923	Adams	415/162
1,645,855	A *	10/1927	De Vore	415/64
4,551,631	A *	11/1985	Trigilio	290/55
6,710,469	B2 *	3/2004	McDavid, Jr.	290/55
D587,196	S *	2/2009	Chong	D13/115
D625,261	S *	10/2010	Winkler et al.	D13/115
2011/0089698	A1 *	4/2011	Ahmadi	290/55

* cited by examiner

Primary Examiner — Derrick Holland

Assistant Examiner — Lauren Calve

(74) *Attorney, Agent, or Firm* — Andrew Wilford

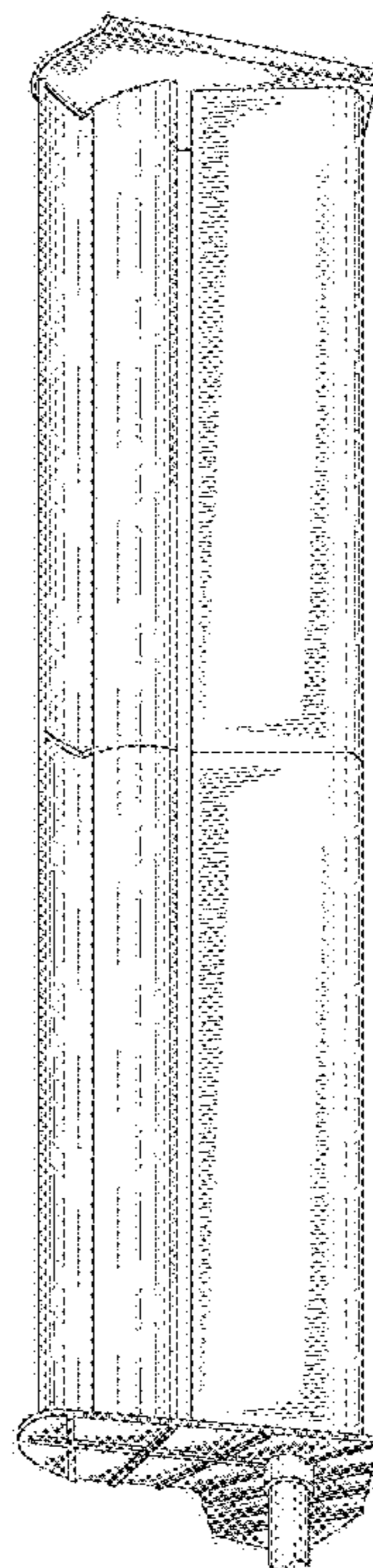
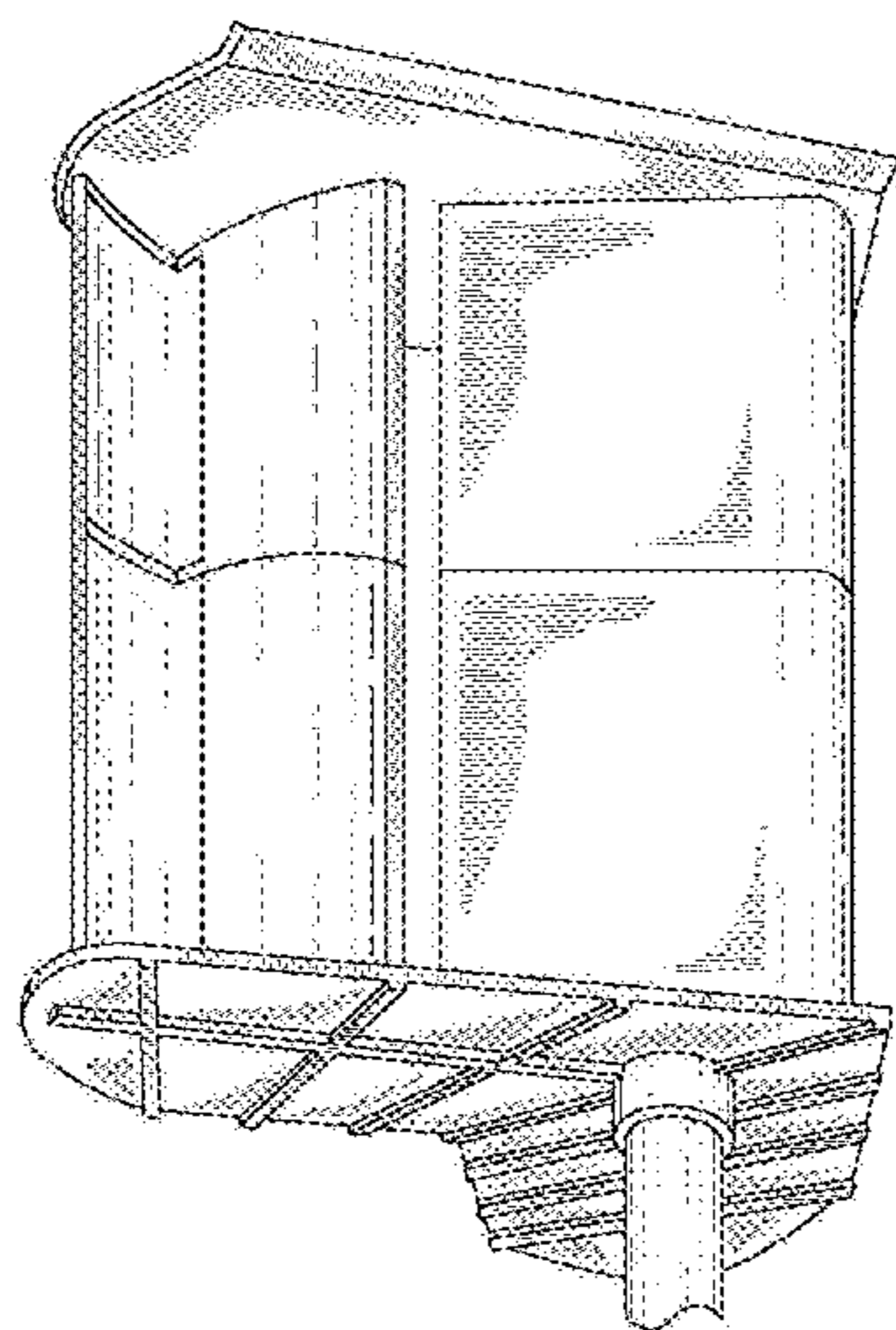
(57) **CLAIM**

The ornamental design for a twin vertical-axis wind turbine with automatic wind tracking, as shown and described.

DESCRIPTION

FIG. 1 is a perspective view of a twin vertical-axis wind turbine with automatic wind tracking according to the invention;
 FIG. 2 is a front elevational view thereof;
 FIG. 3 is a back elevational view thereof;
 FIG. 4 is a left-side elevational view thereof;
 FIG. 5 is a right-side elevational view thereof;
 FIG. 6 is a sectional view thereof, taken along lines 6-6 as indicated in FIG. 5;
 FIG. 7 is a top view thereof;
 FIG. 8 is a bottom view thereof;
 FIG. 9 is a perspective view of a second embodiment of a twin vertical-axis wind turbine with automatic wind tracking according to the invention;
 FIG. 10 is a front elevational view thereof;
 FIG. 11 is a back elevational view thereof;
 FIG. 12 is a left-side elevational view thereof;
 FIG. 13 is a right-side elevational view thereof;
 FIG. 14 is a sectional view thereof, taken along lines 14-14 as indicated in FIG. 13;
 FIG. 15 is a top view thereof; and,
 FIG. 16 is a bottom view thereof.

1 Claim, 13 Drawing Sheets



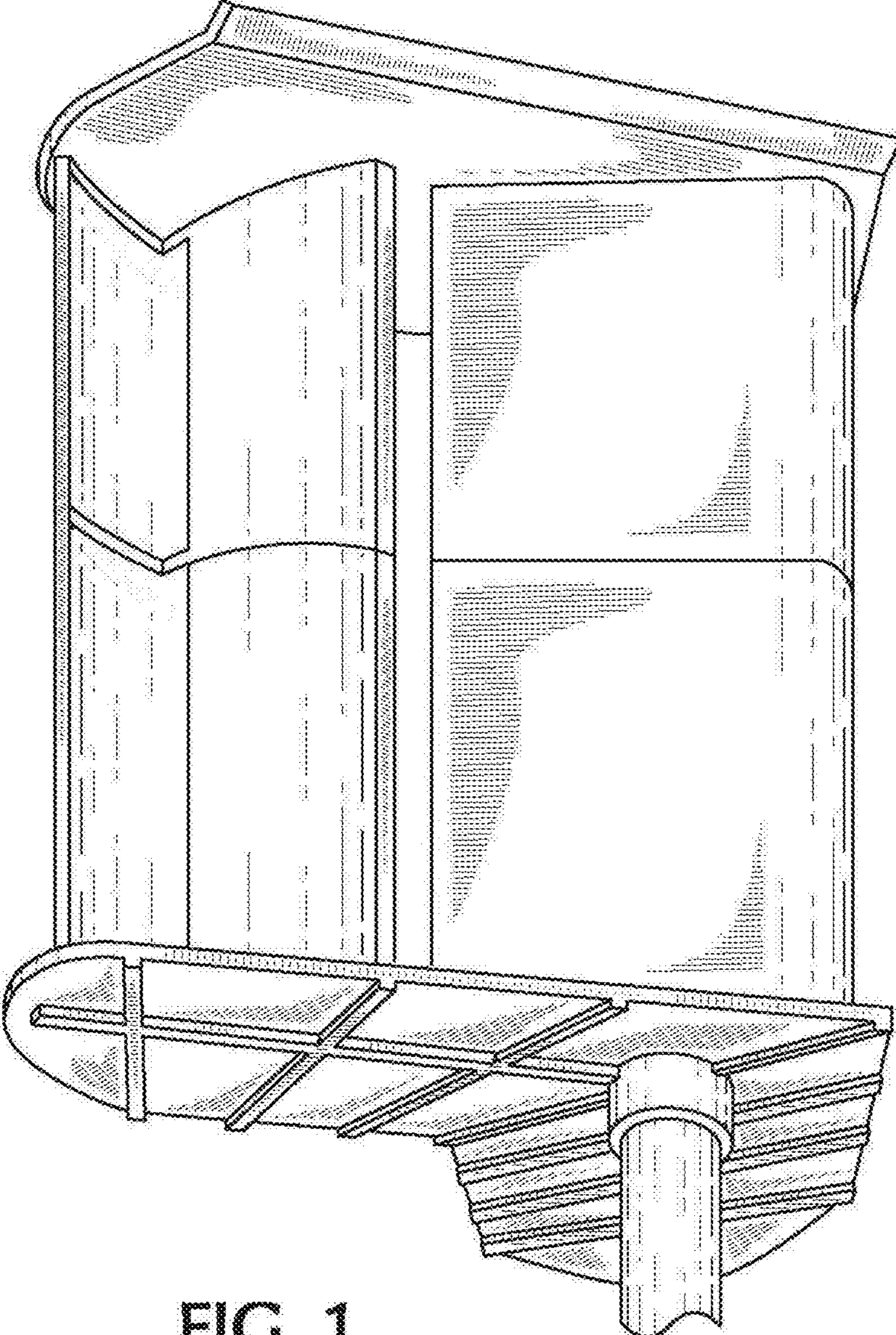


FIG. 1

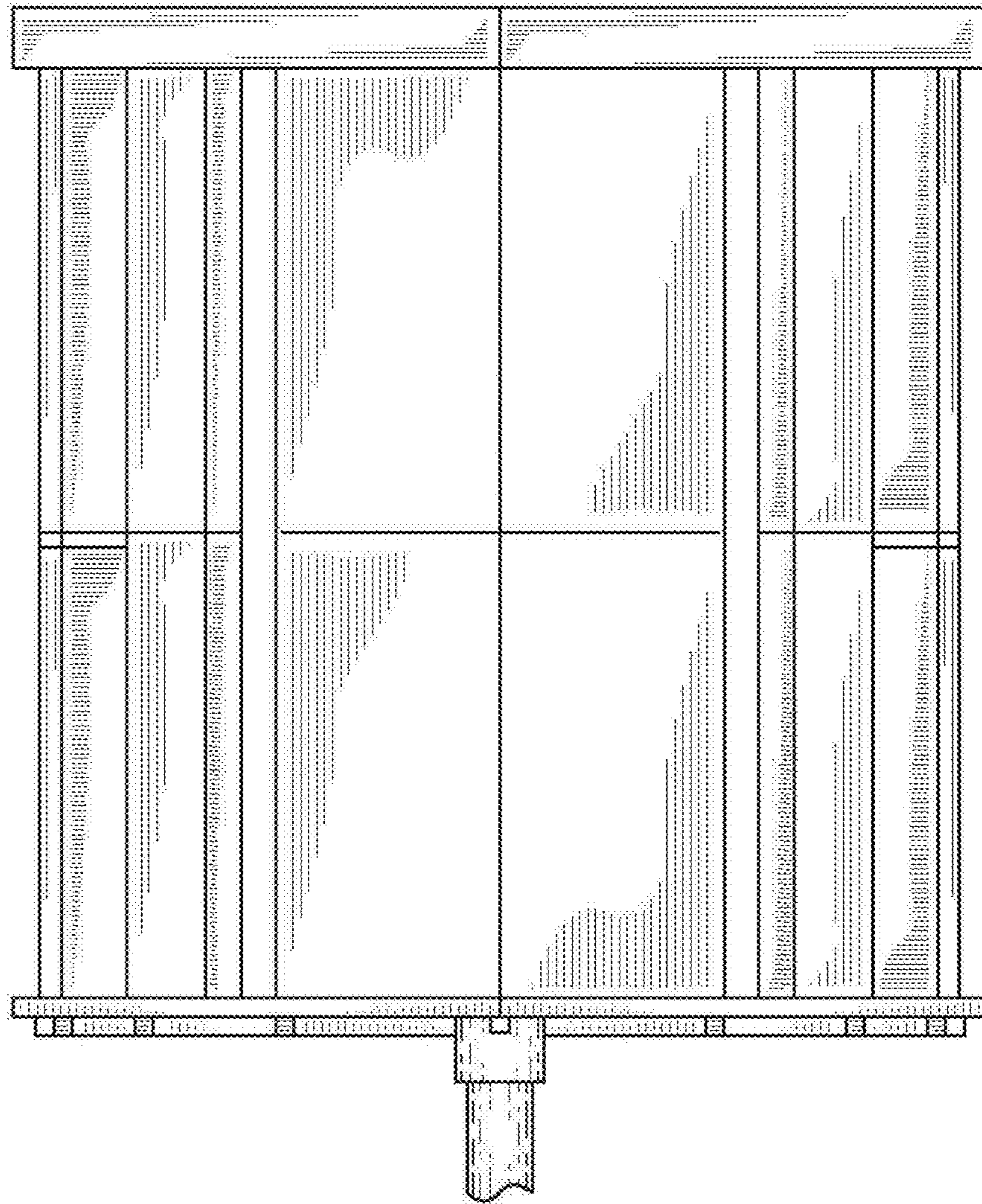


FIG. 2

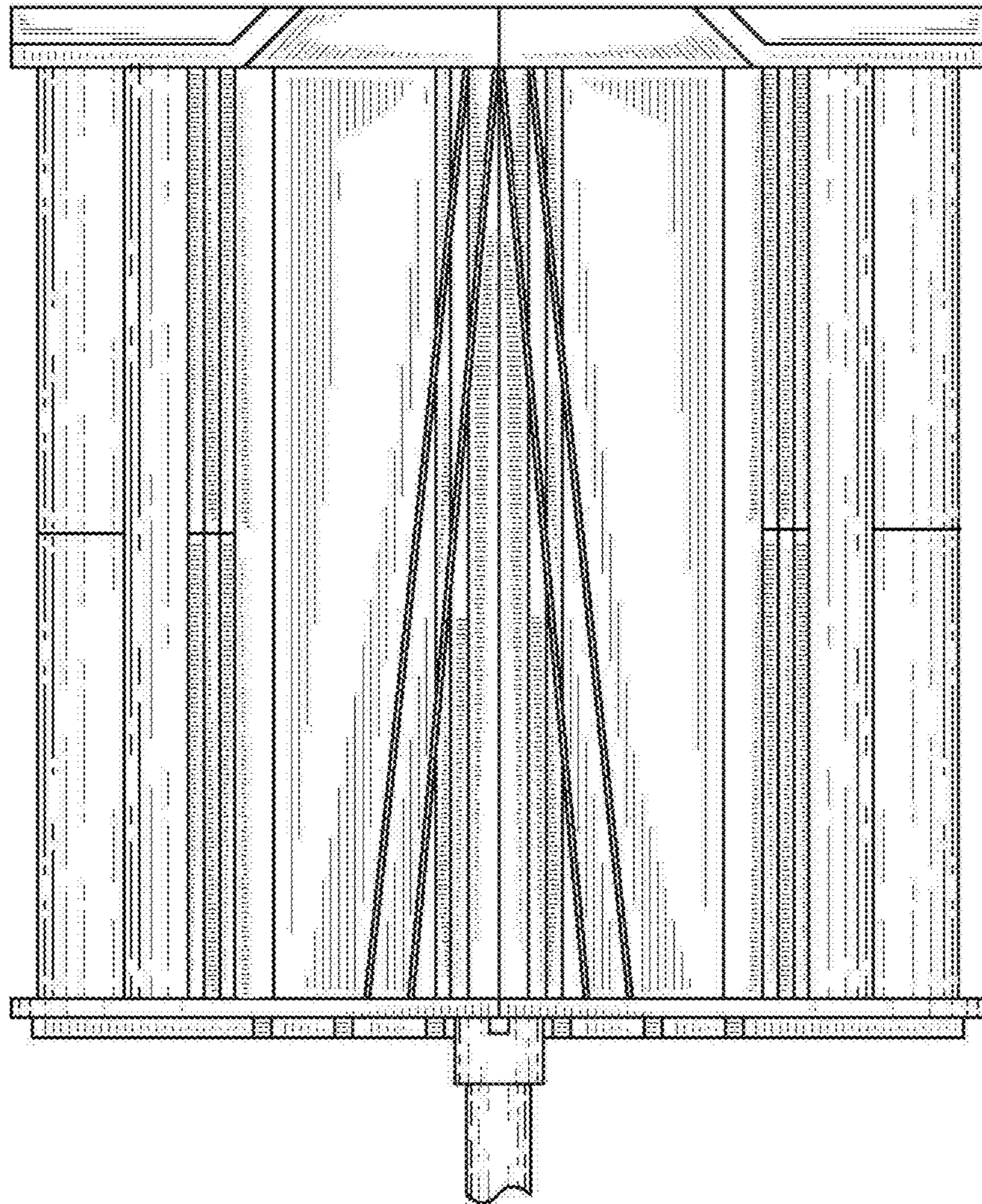


FIG. 3

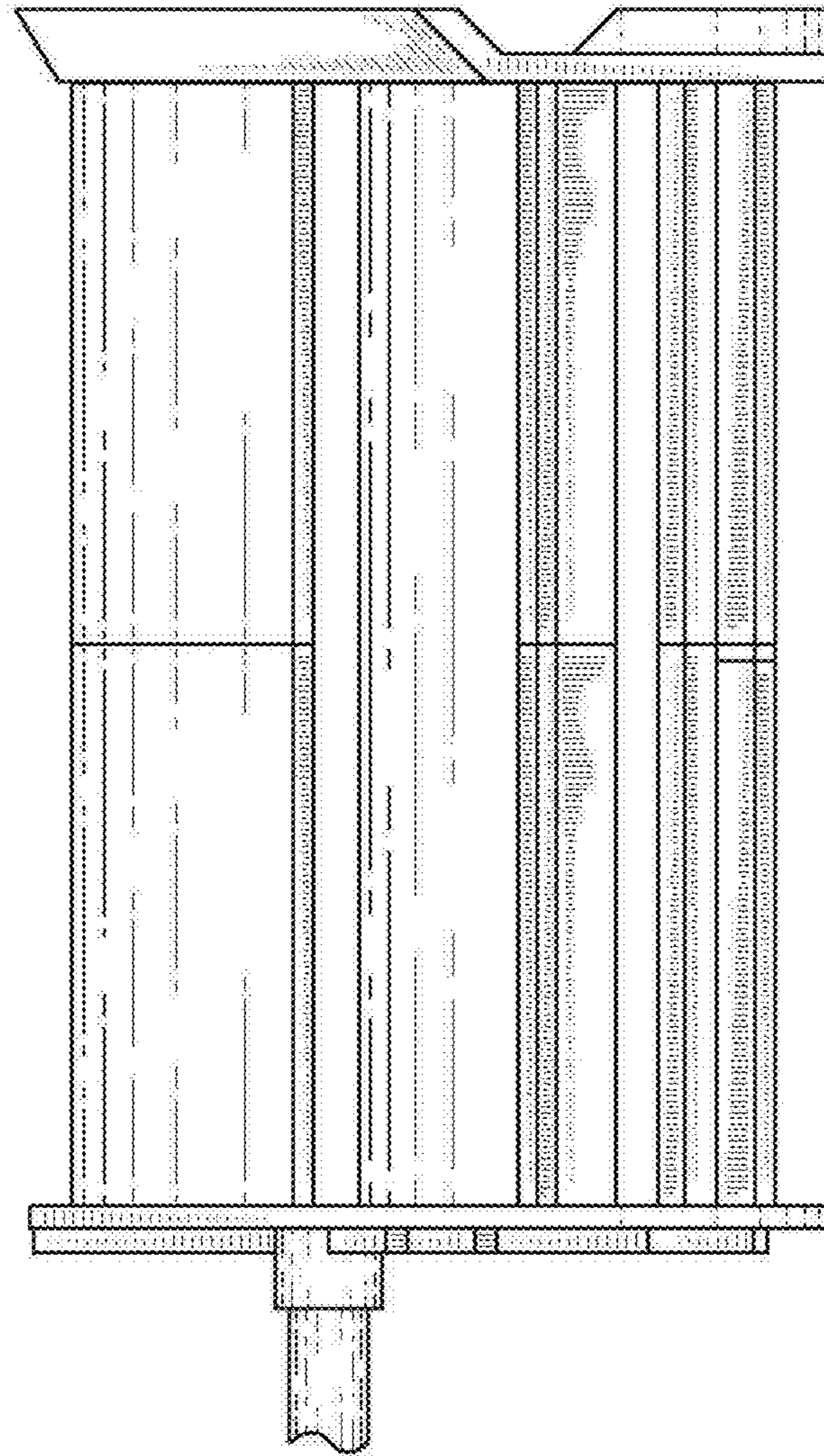


FIG. 4

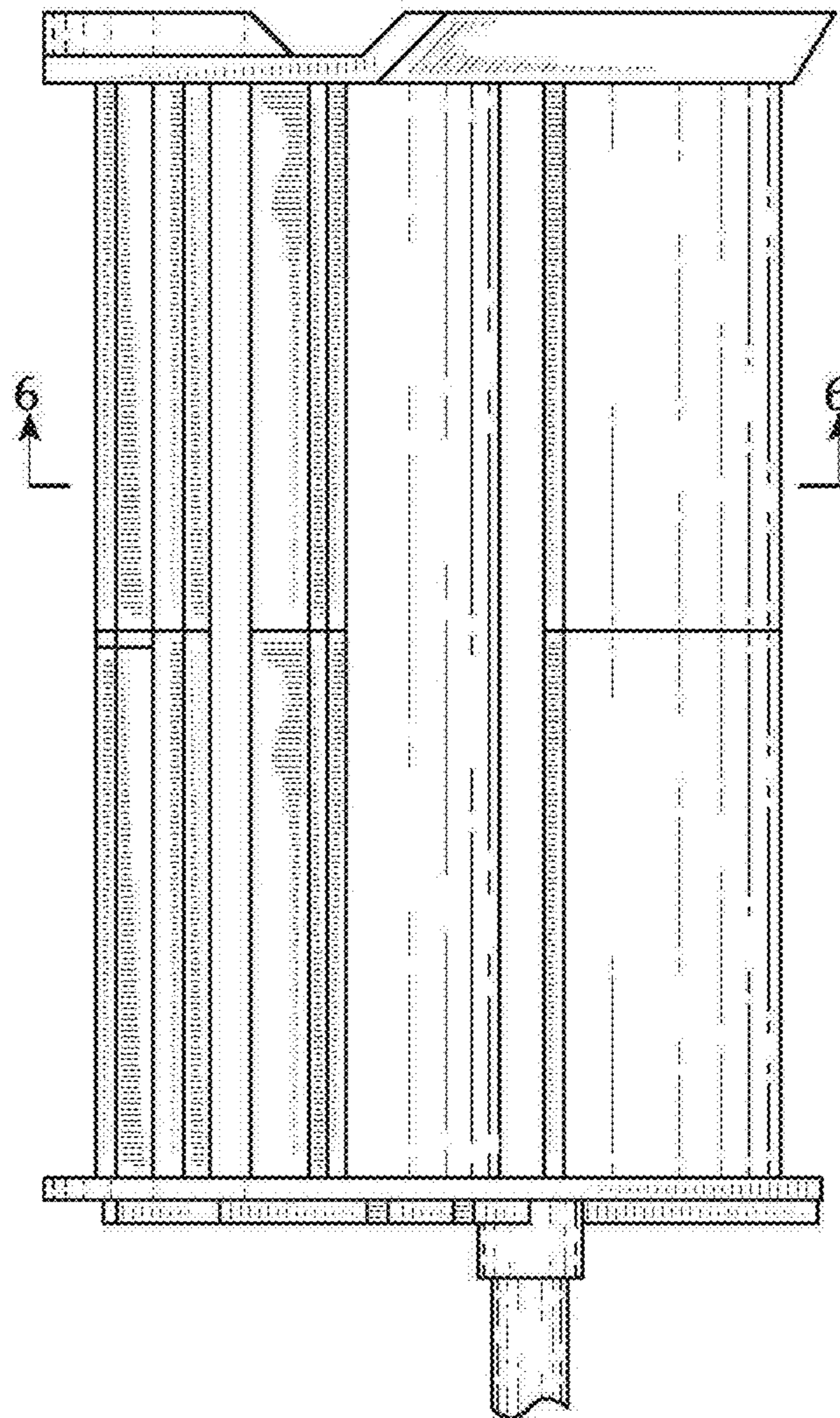


FIG. 5

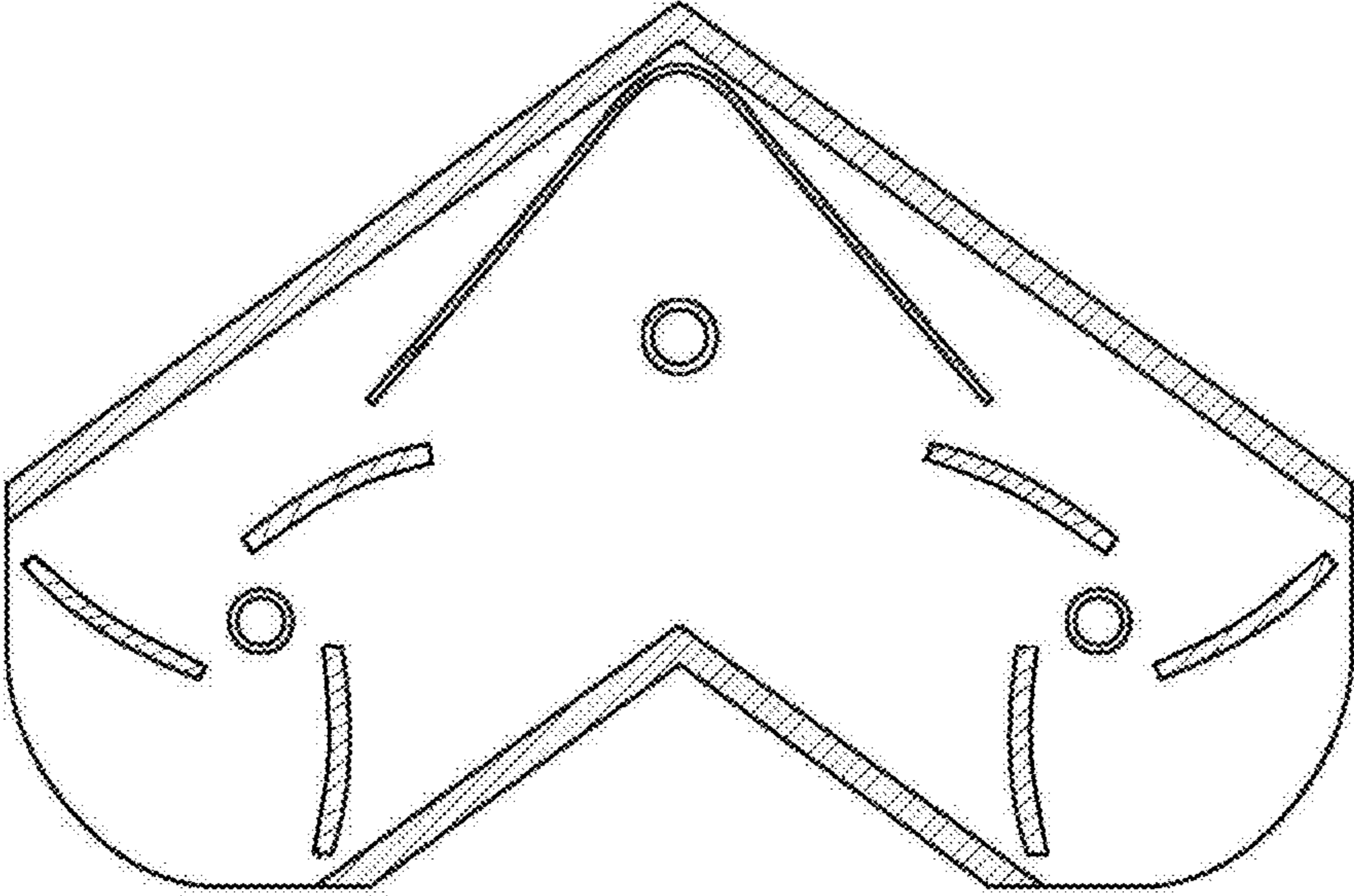


FIG. 6

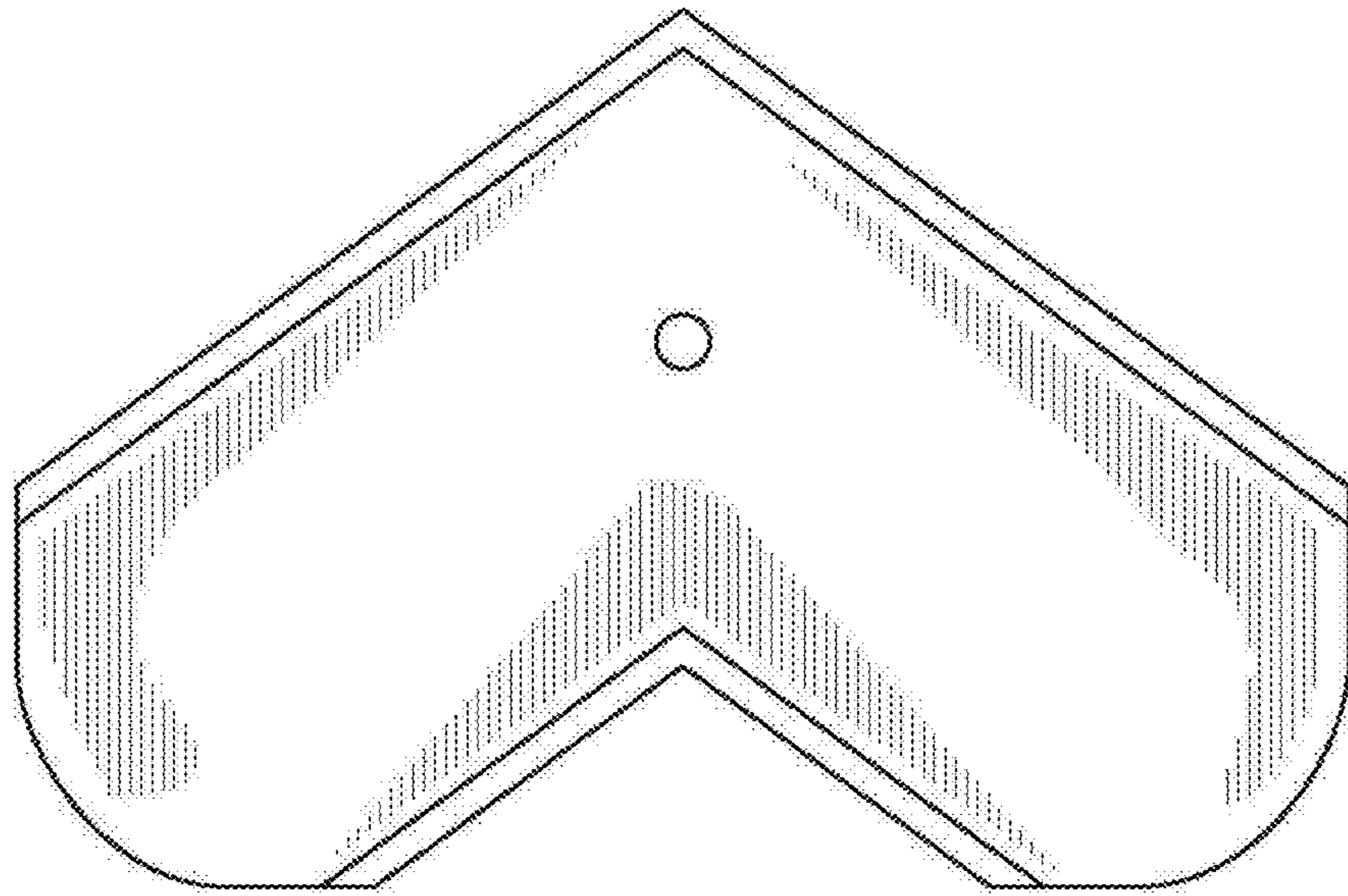


FIG. 7

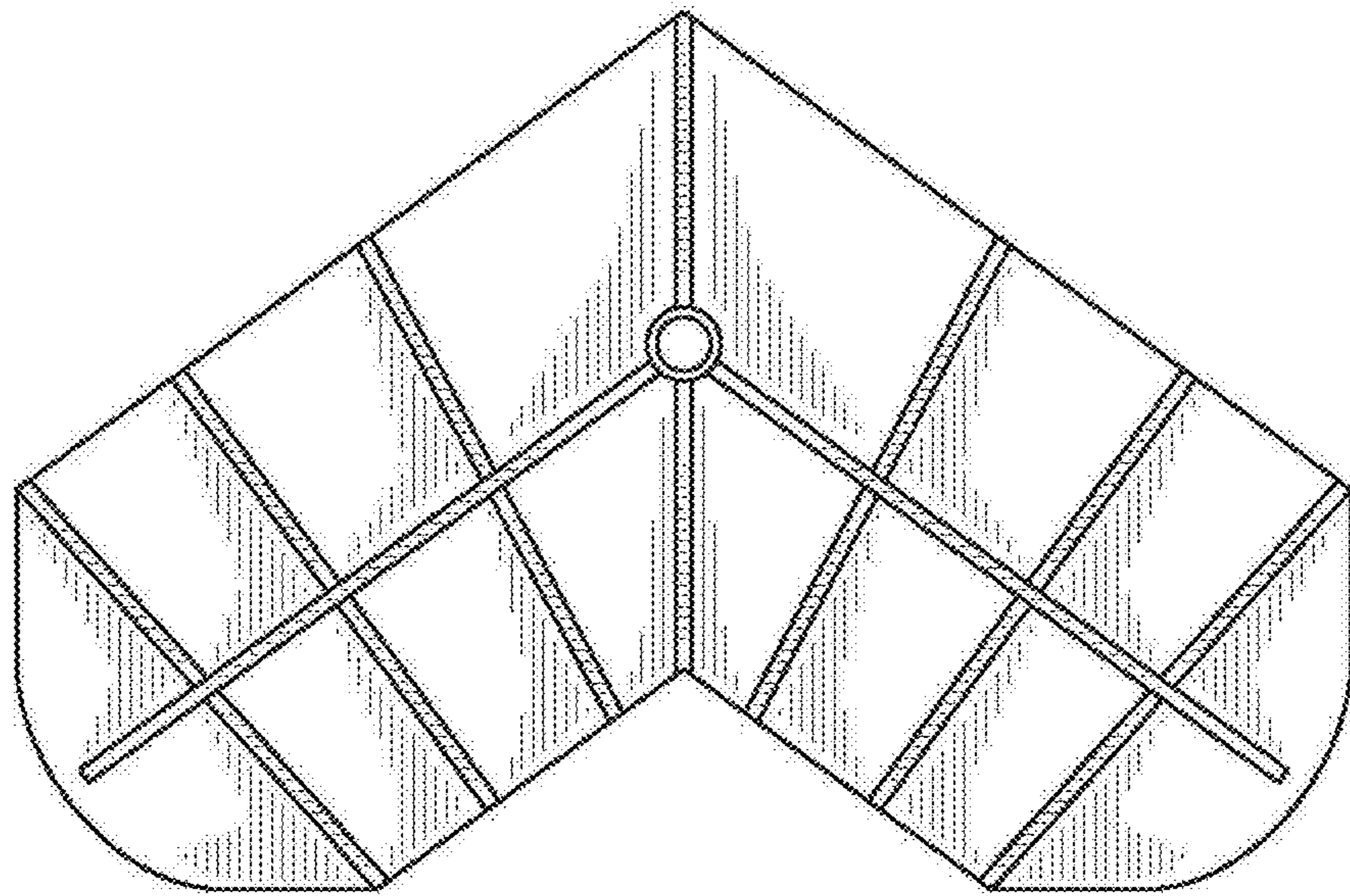


FIG. 8

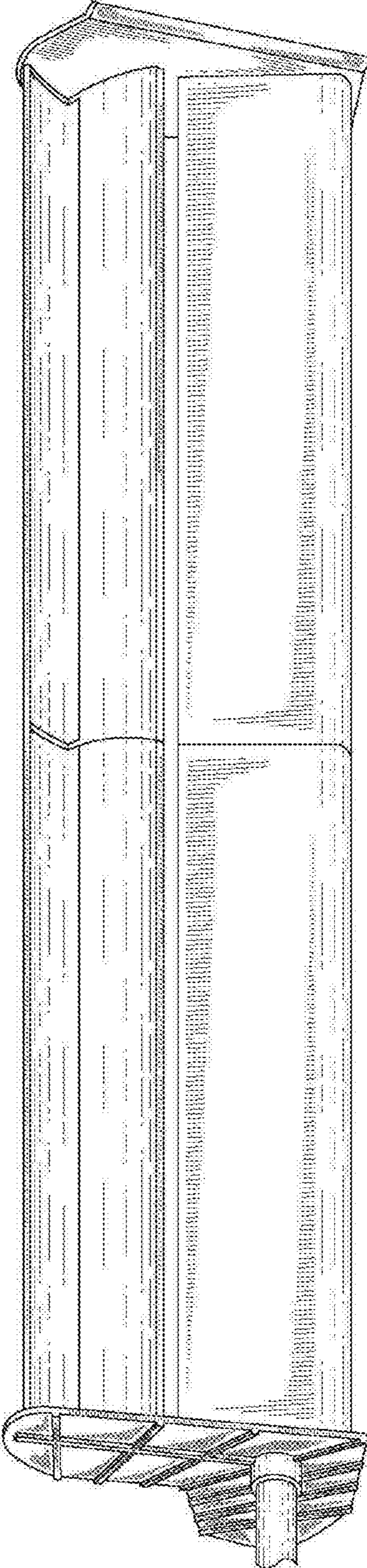


FIG. 9

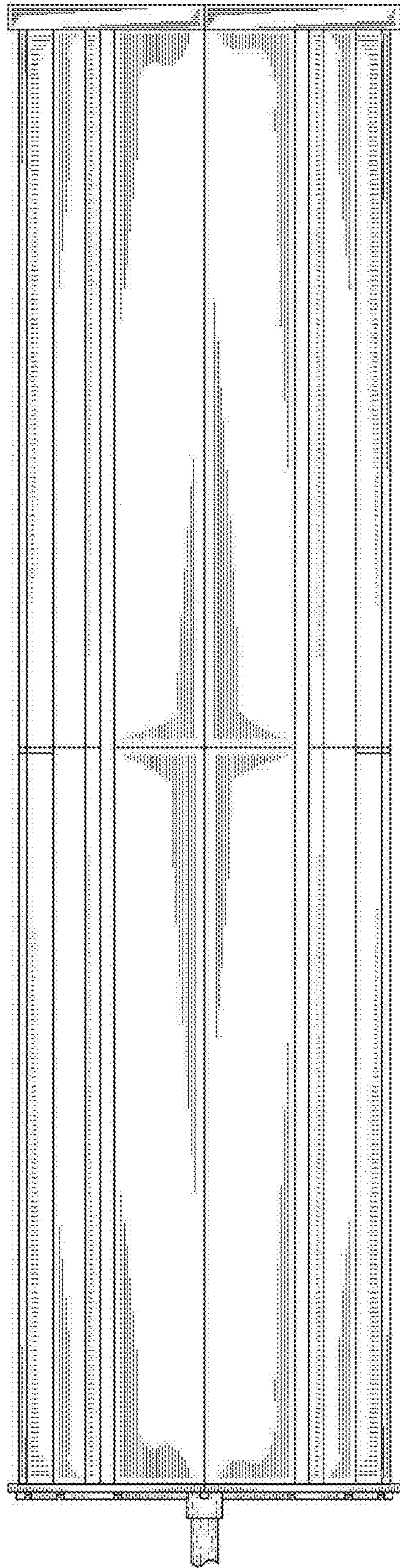


FIG. 10

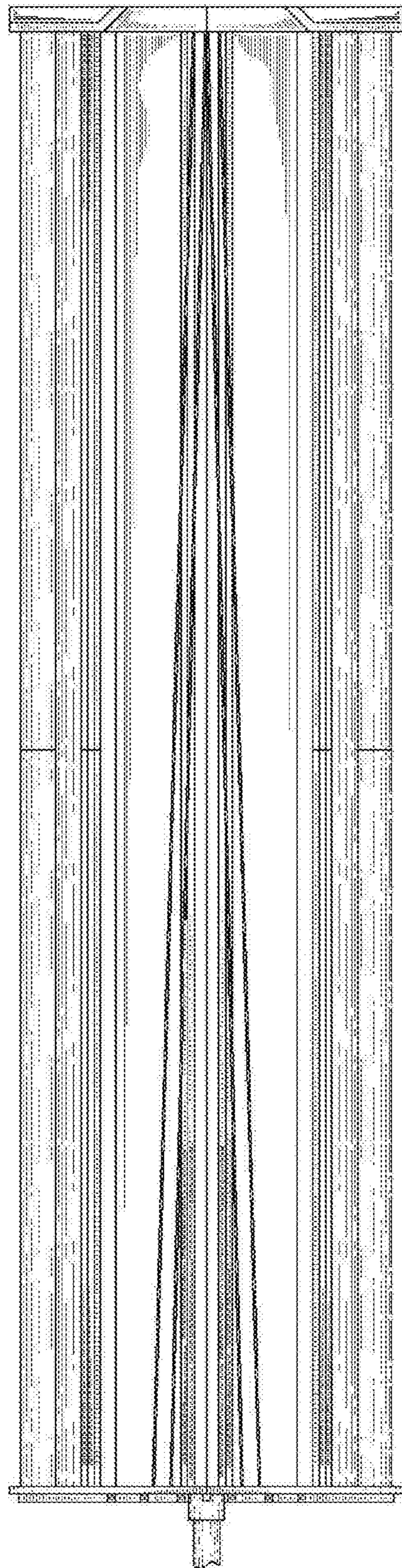


FIG. 11

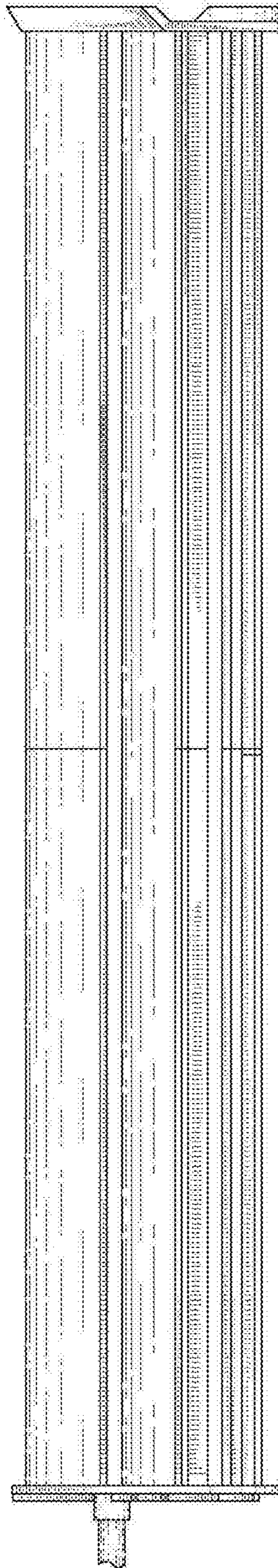


FIG. 12

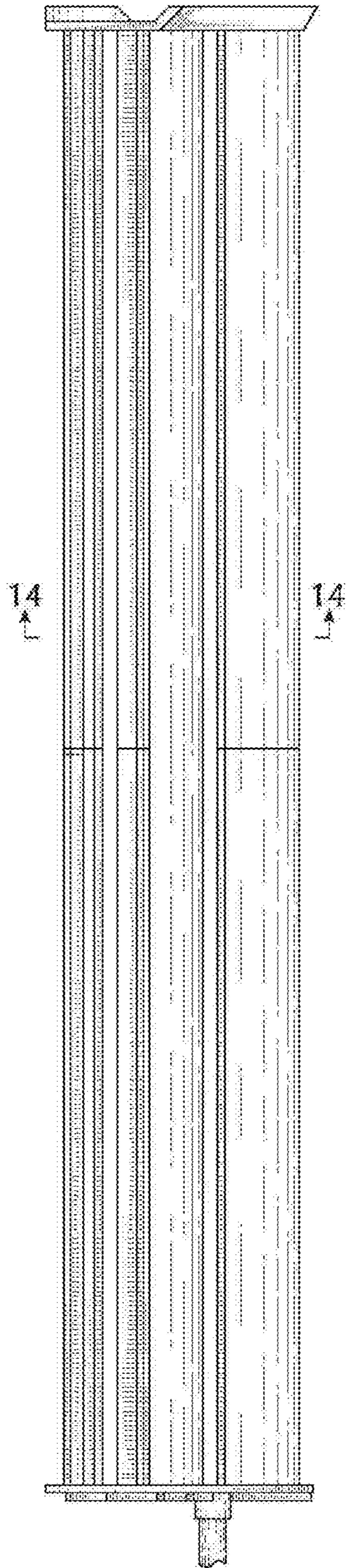


FIG. 13

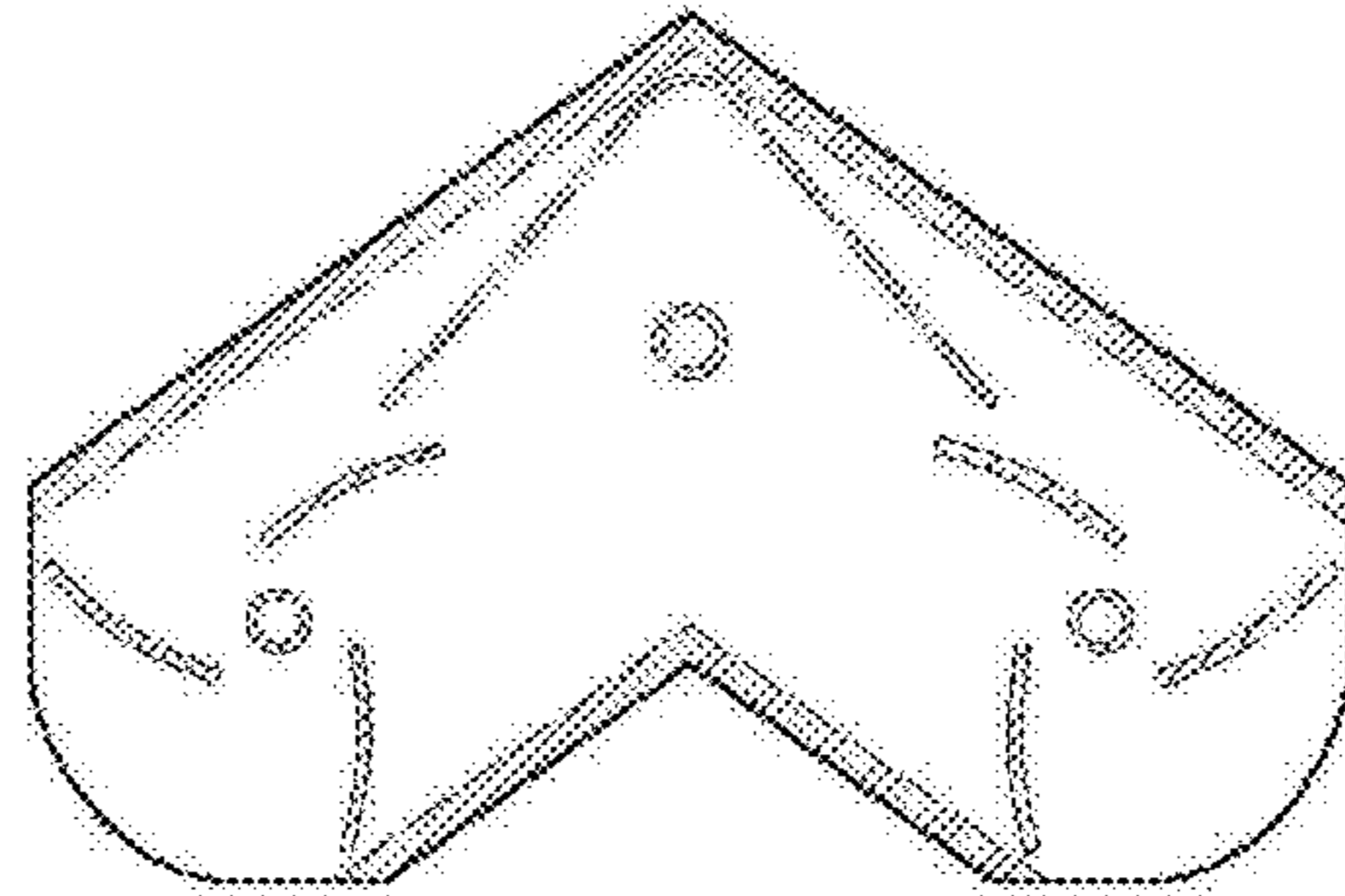


FIG. 14

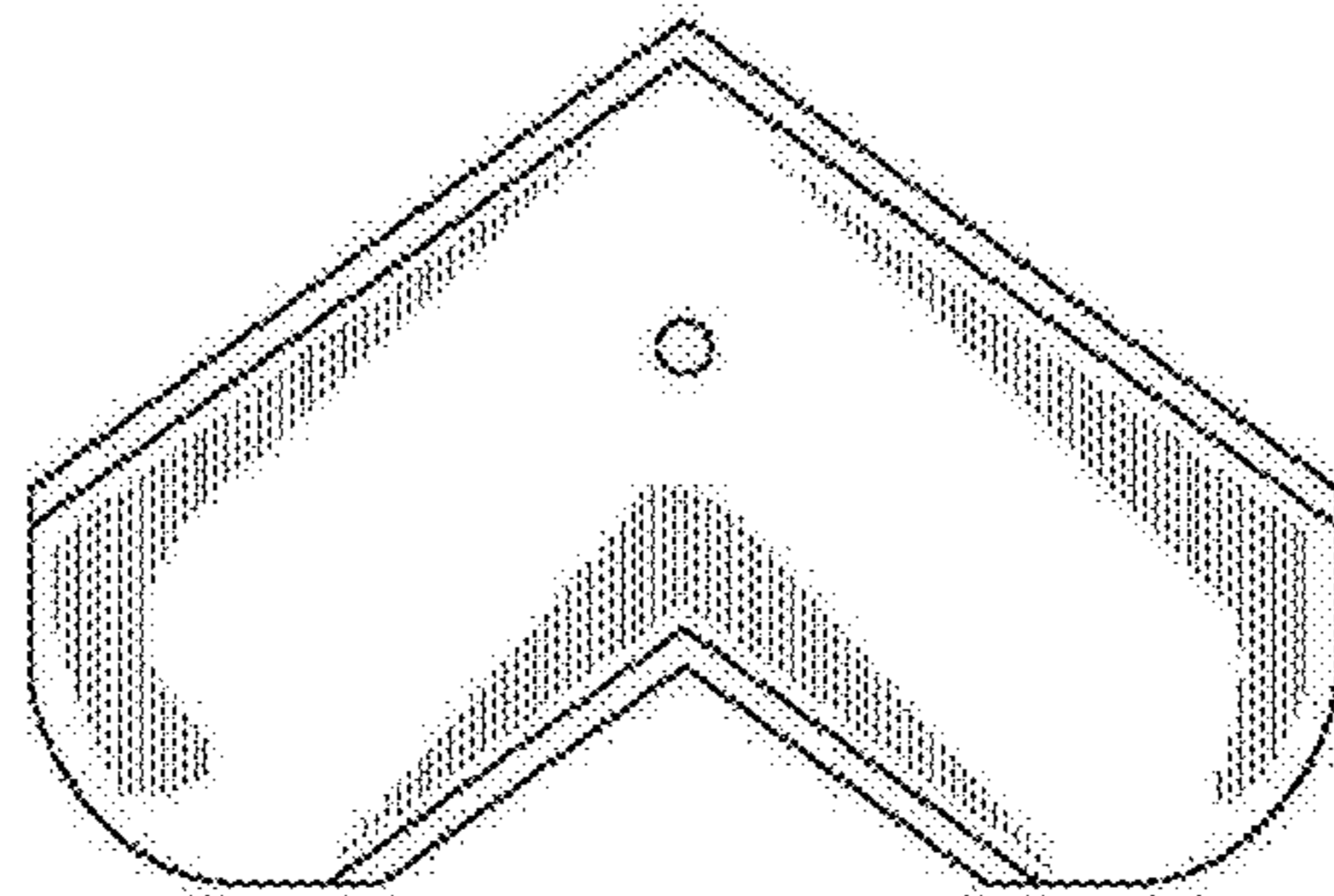


FIG. 15

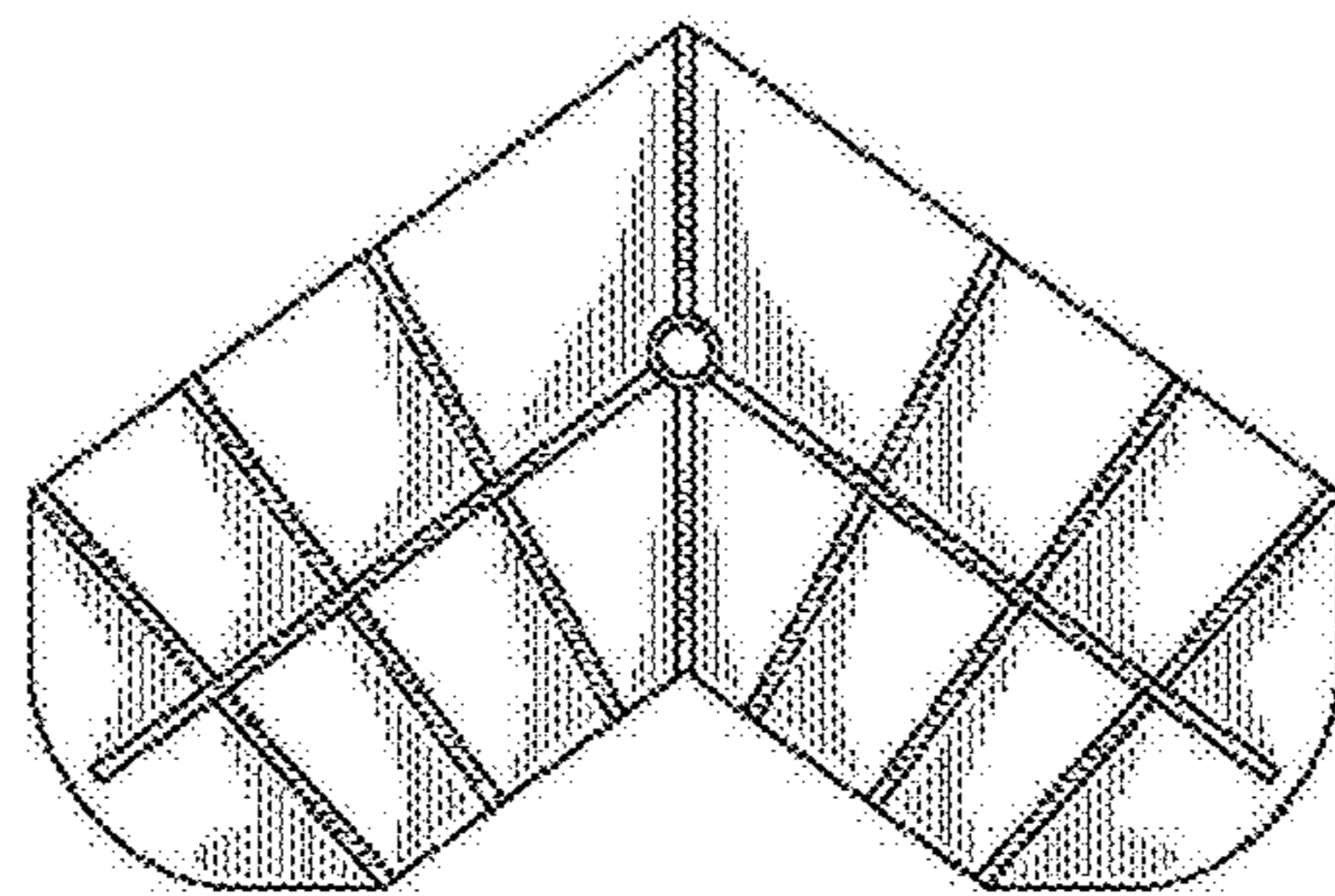


FIG. 16