



US00D698726S

(12) **United States Design Patent**
Mogensen et al.

(10) **Patent No.:** **US D698,726 S**

(45) **Date of Patent:** **** Feb. 4, 2014**

(54) **WIND TURBINE STRUCTURE**

(75) Inventors: **Morten Mogensen**, Bramming (DK);
Mazyar Abolfazlian, Brabrand (DK);
Mads Damgaard, Lystrup (DK); **Jesper Nyvad**, Egå (DK)

(73) Assignee: **Vestas Wind Systems A/S**, Aarhus N. (DK)

(**) Term: **14 Years**

(21) Appl. No.: **29/388,519**

(22) Filed: **Mar. 30, 2011**

(51) **LOC (10) Cl.** **13-01**

(52) **U.S. Cl.**
USPC **D13/115**

(58) **Field of Classification Search**
USPC D13/115, 118, 122, 199; D12/319, 344,
D12/345; D15/1, 199; D21/458; 290/44, 52,
290/54, 55; 415/2.1, 4.2, 4.5, 7, 907, 916;
416/1, 7, 9, 16, 24, 31, 37, 38, 132 B,
416/132 R, 141, 142, 176, 177, 196 A, 243
See application file for complete search history.

(56) **References Cited**

U.S. PATENT DOCUMENTS

D271,303 S * 11/1983 Ovelmen D15/1
5,354,175 A * 10/1994 Coleman et al. 416/9
D480,360 S * 10/2003 Bayly D13/115
D517,986 S * 3/2006 Wobben D13/115
D584,686 S * 1/2009 Gudewer D13/115

D602,861 S * 10/2009 Talab D13/115
8,277,184 B2 * 10/2012 Nies et al. 416/9
2002/0153728 A1 * 10/2002 Groppel 290/44
2004/0057828 A1 * 3/2004 Bosche 416/1

OTHER PUBLICATIONS

Soren Oluf Rasmussen; Co-pending U.S. Appl. No. 29/315,660, filed Jul. 14, 2009.

* cited by examiner

Primary Examiner — Derrick Holland

(74) *Attorney, Agent, or Firm* — Wood, Herron & Evans LLP

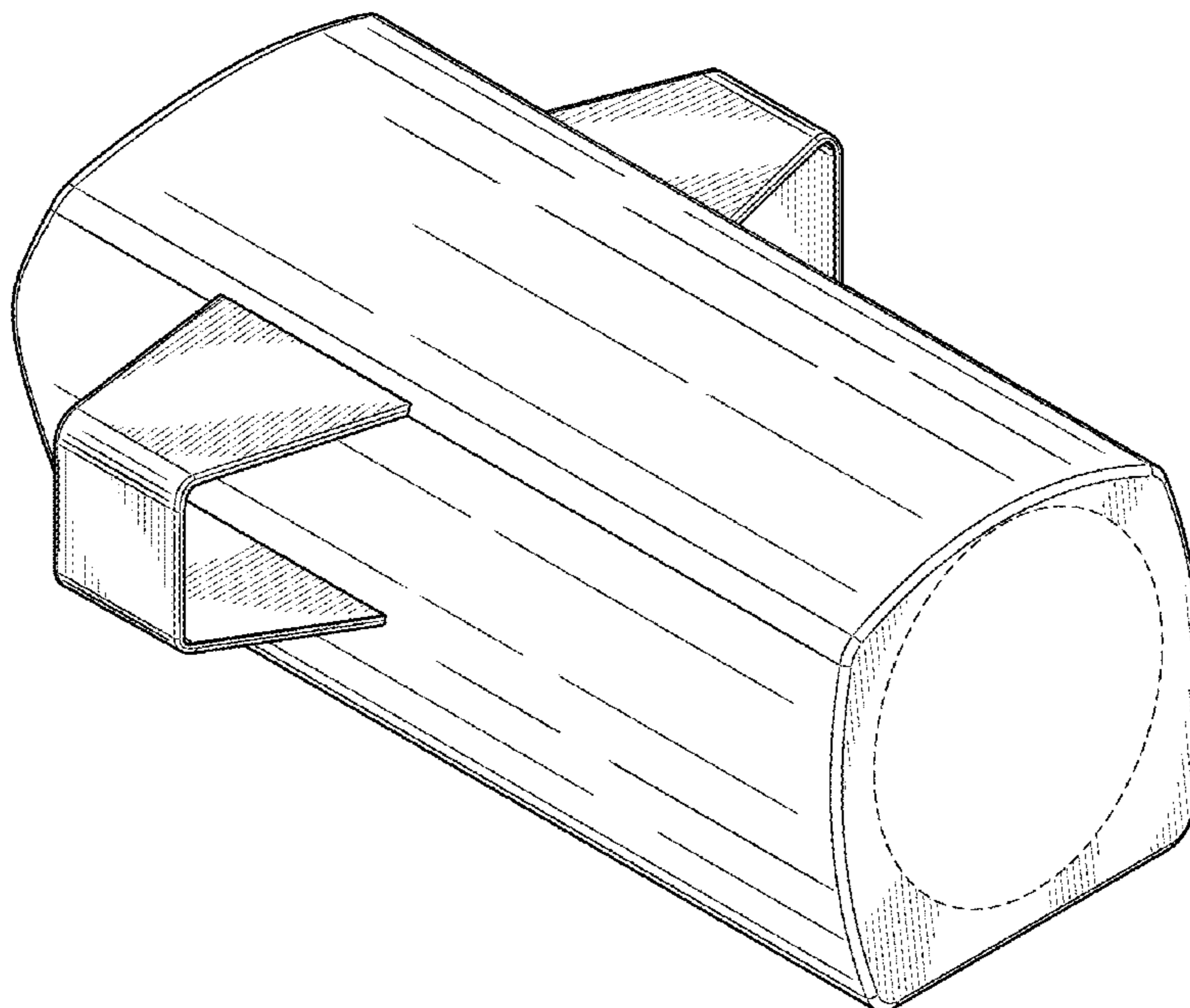
(57) **CLAIM**

The ornamental design for a wind turbine structure, as shown and described.

DESCRIPTION

FIG. 1 is a perspective view a wind turbine structure showing our new design;
FIG. 2 is a second perspective view thereof;
FIG. 3 is a top plan view thereof;
FIG. 4 is a bottom plan view thereof;
FIG. 5 is a front elevation view thereof;
FIG. 6 is a back elevation view thereof;
FIG. 7 is a cross-sectional view thereof taken along line 7-7 of FIG. 3; and,
FIG. 8 is a left side view thereof, the right side view being a mirror image of the left side view.
The broken lines shown represent unclaimed subject matter and form no part of the claimed design.

1 Claim, 7 Drawing Sheets



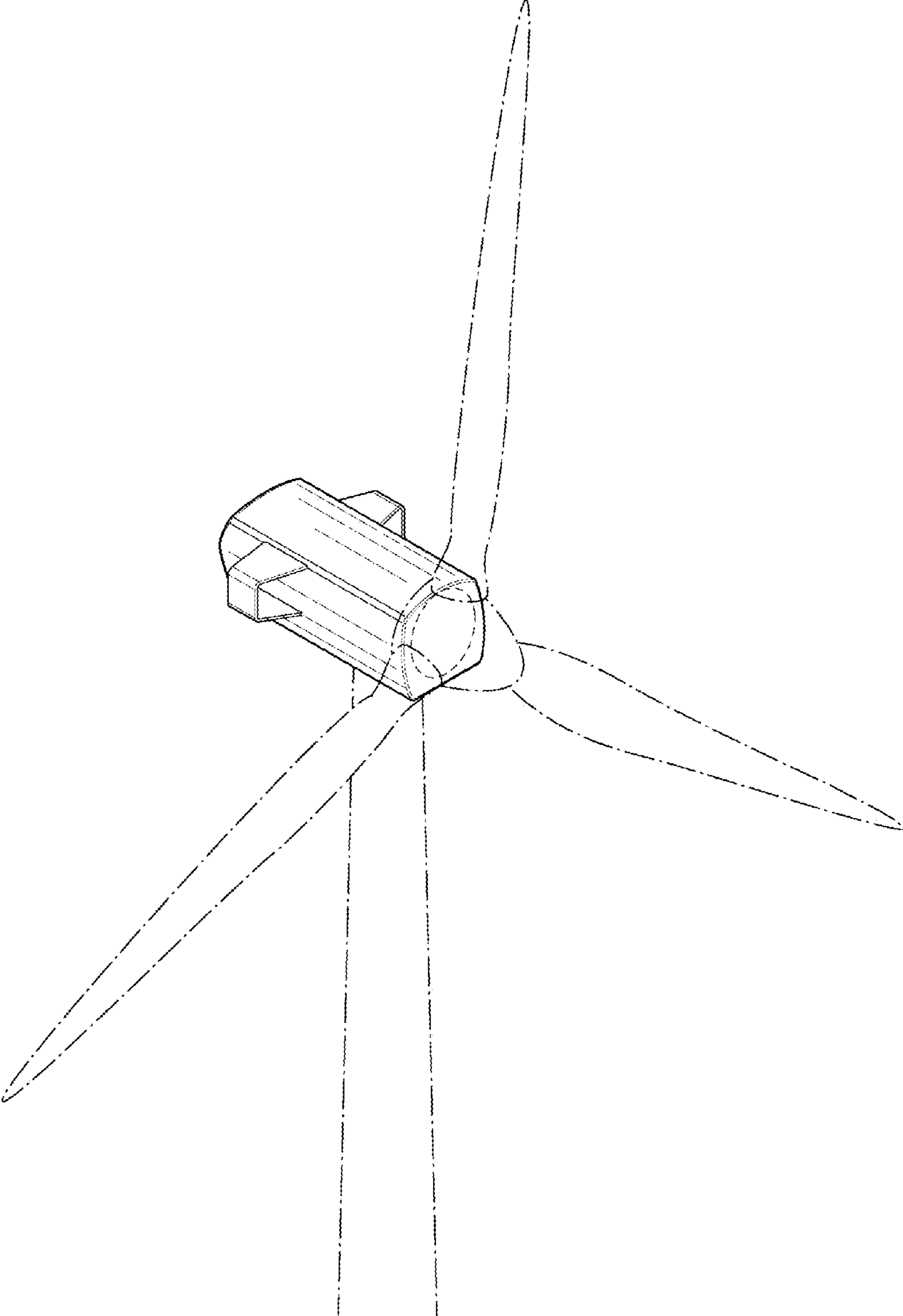


FIG. 1

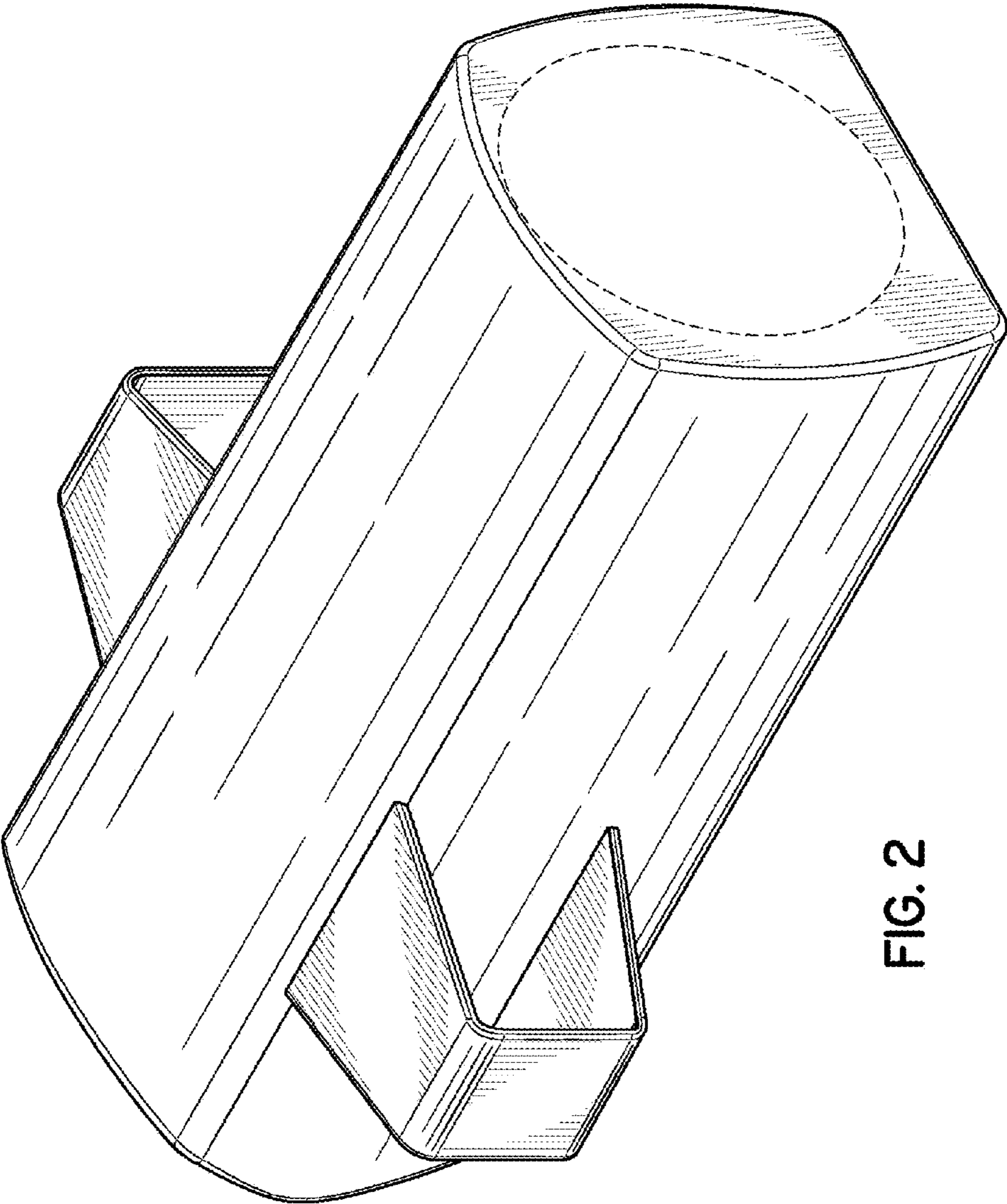


FIG. 2

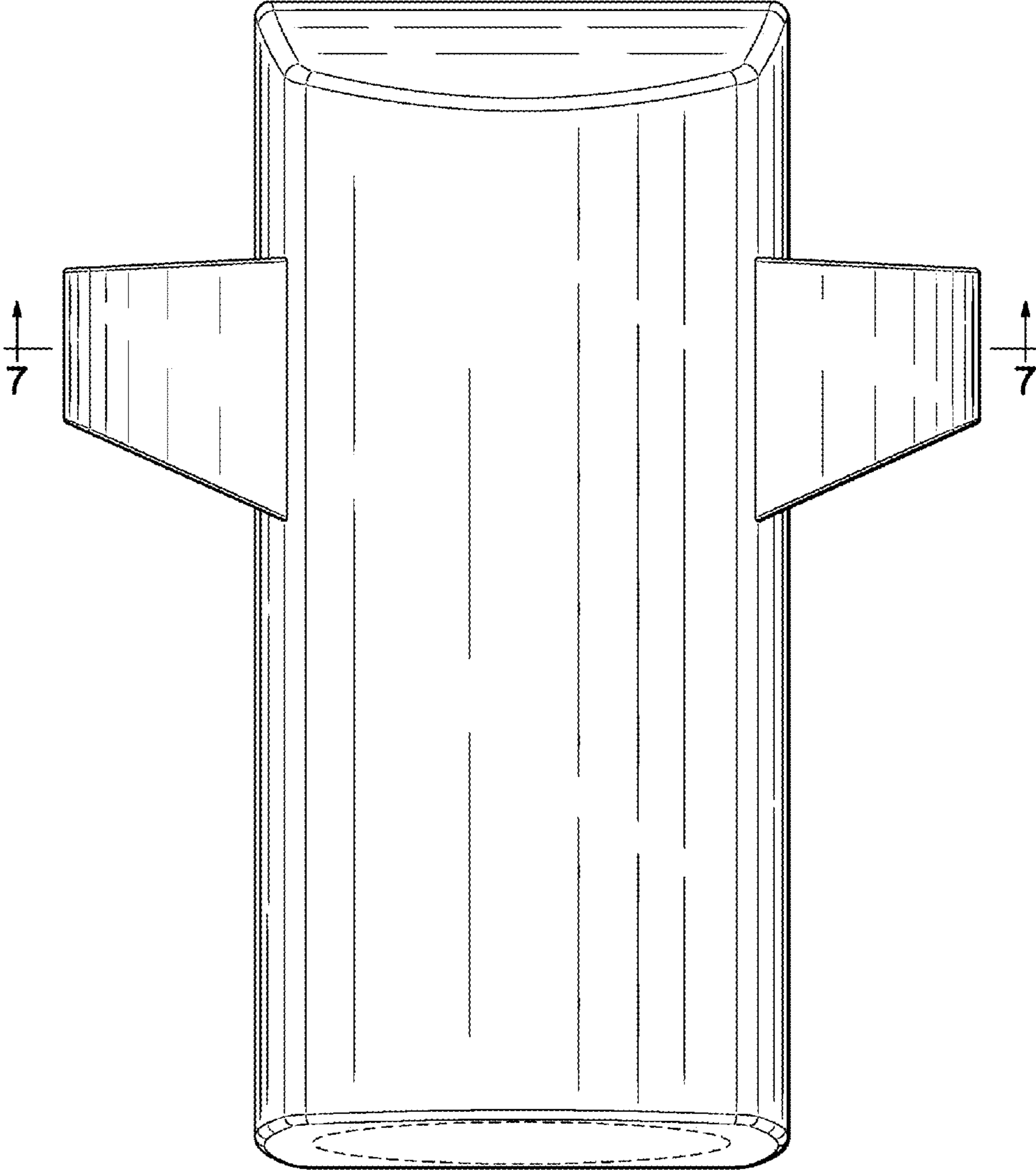


FIG. 3

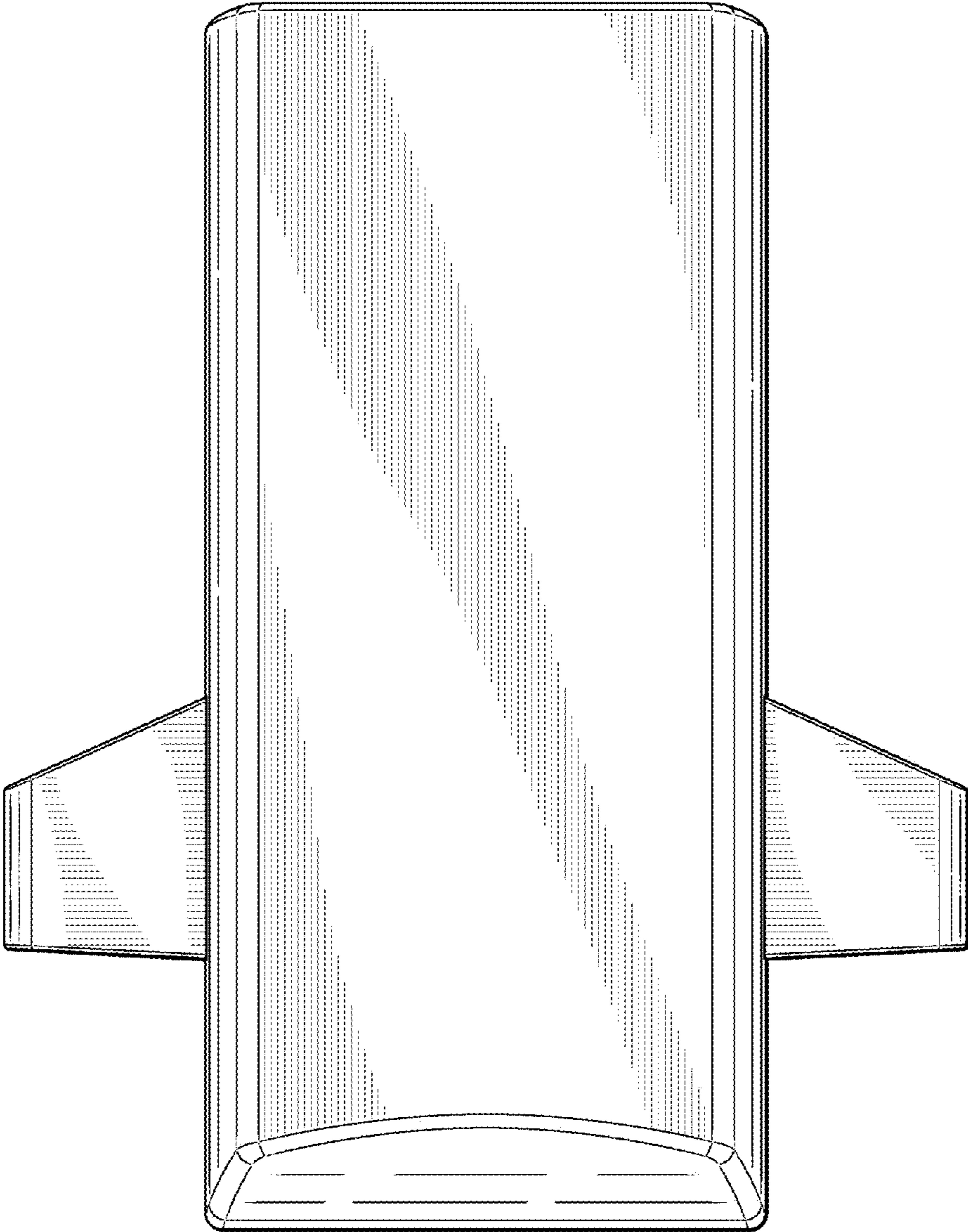


FIG. 4

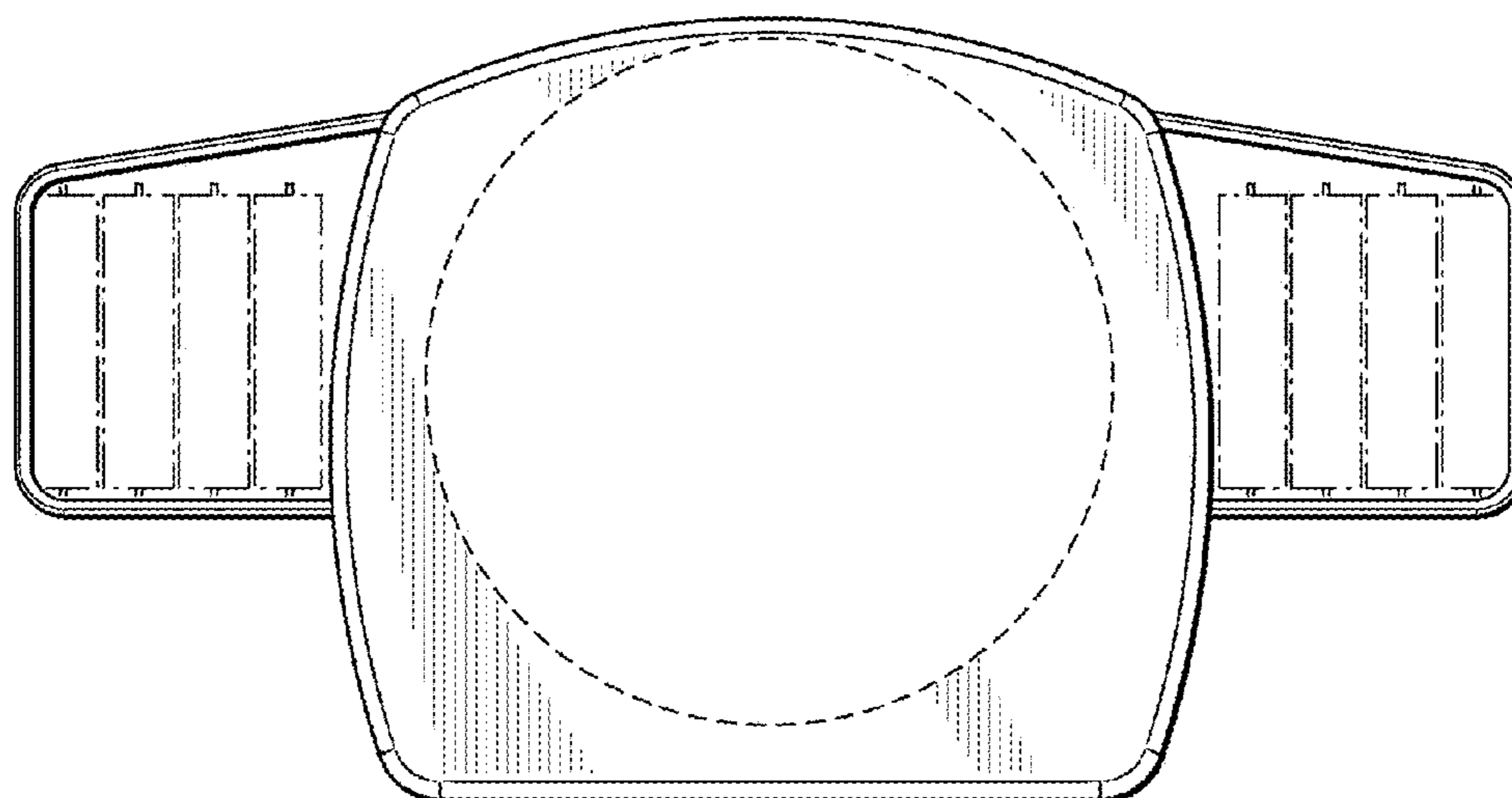


FIG. 5

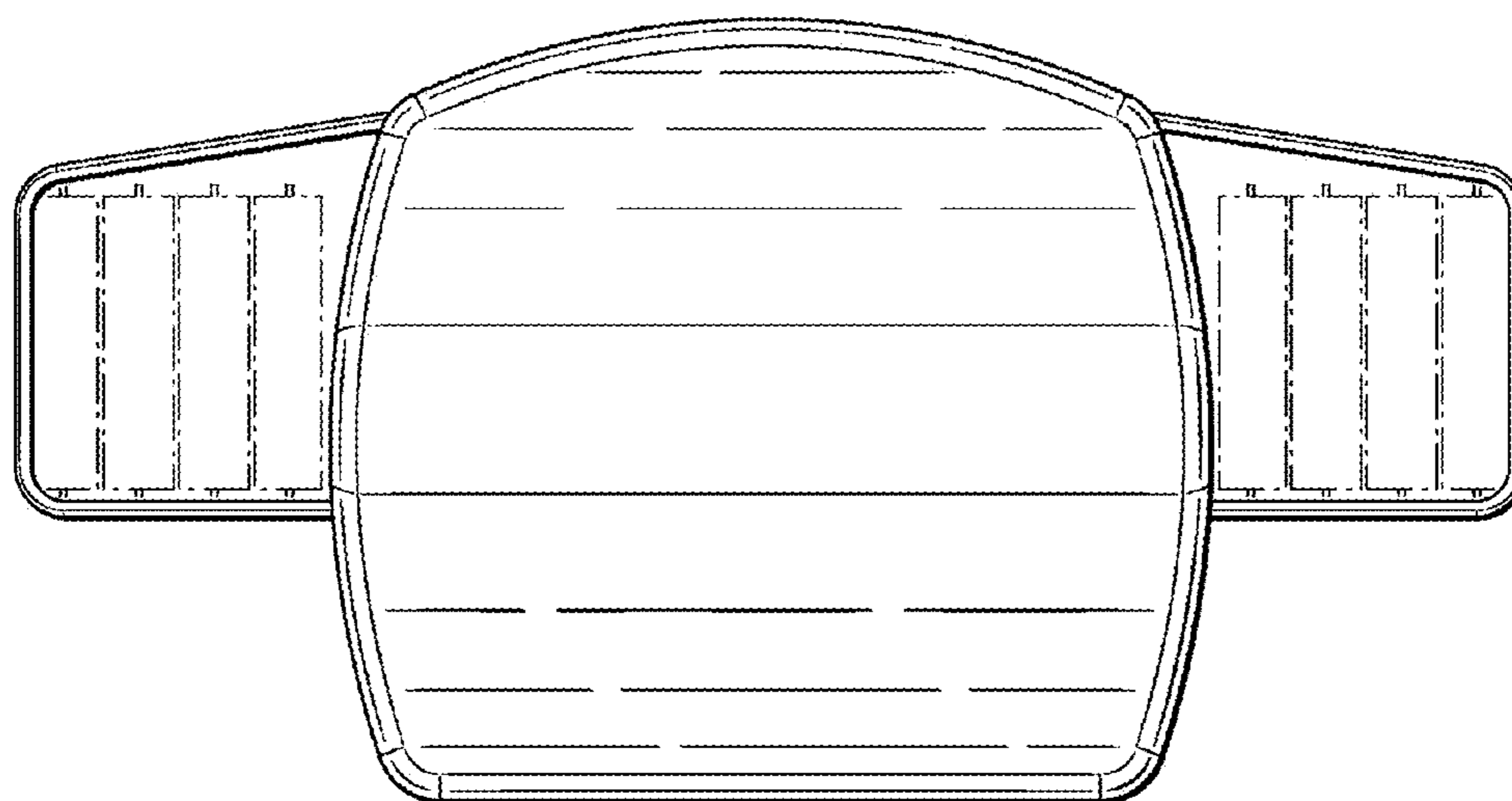


FIG. 6

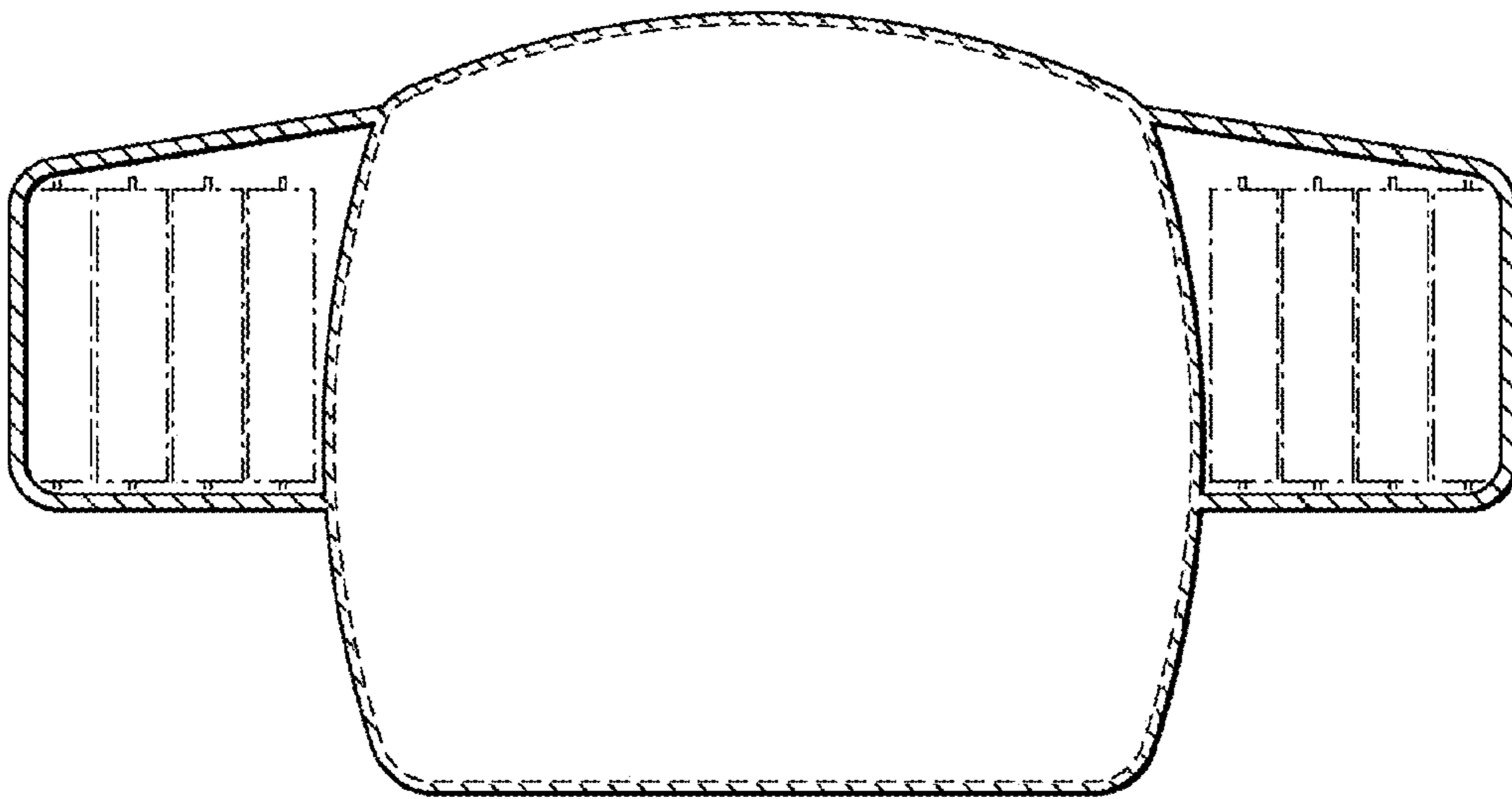


FIG. 7

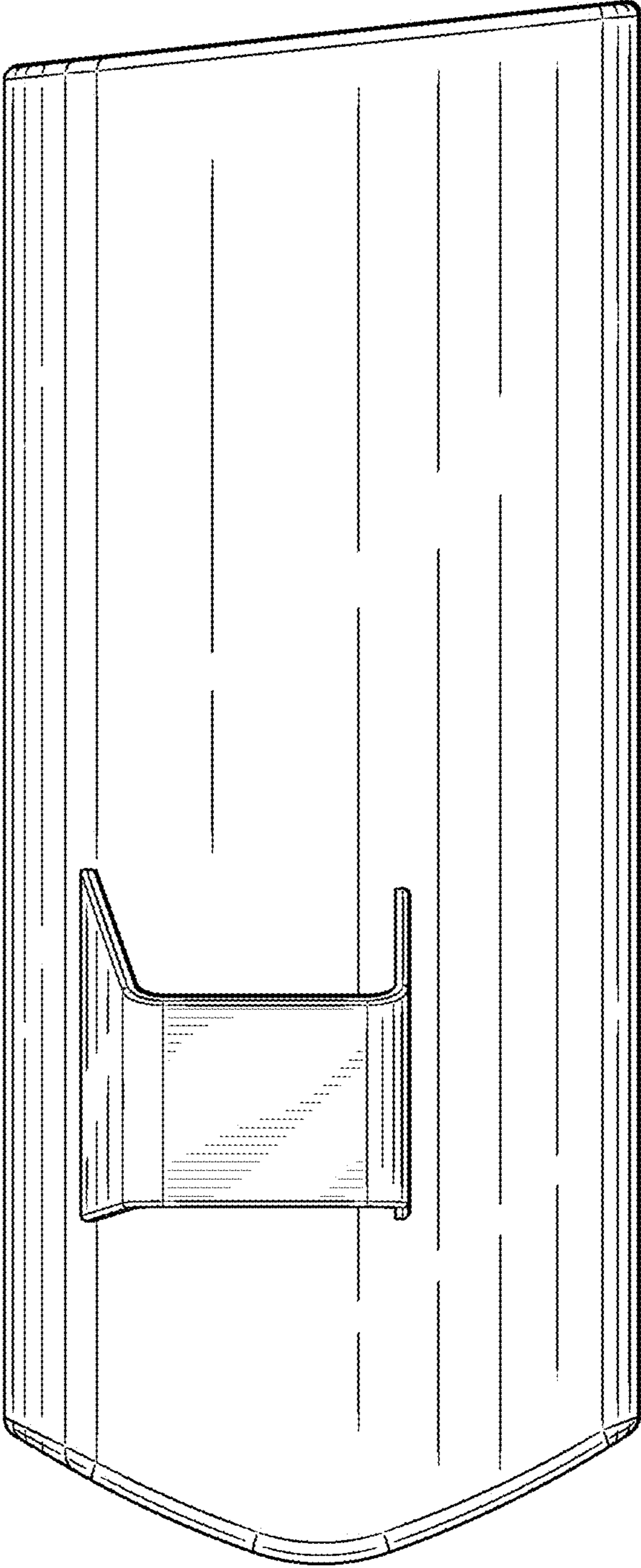


FIG. 8