

US00D698721S

(12) **United States Design Patent**
McEachern

(10) **Patent No.:** **US D698,721 S**
(45) **Date of Patent:** **** Feb. 4, 2014**

(54) **SQUEEGEE WINDSHIELD WIPER**

(71) Applicant: **Gregory B. McEachern**, Abilene, TX
(US)

(72) Inventor: **Gregory B. McEachern**, Abilene, TX
(US)

(**) Term: **14 Years**

(21) Appl. No.: **29/438,379**

(22) Filed: **Nov. 29, 2012**

(51) **LOC (10) Cl.** **12-06**

(52) **U.S. Cl.**
USPC **D12/219**

(58) **Field of Classification Search**
USPC D12/219–220; 15/246, 247, 250.001,
15/250.4, 250.361, 250.19, 250.48,
15/250.03, 250.31–250.33, 250.351,
15/250.38, 250.201, 250.451, 250.458,
15/250.04, 250.07, 250.44

See application file for complete search history.

(56) **References Cited**

U.S. PATENT DOCUMENTS

3,906,583	A	9/1975	Murphy
4,649,593	A	3/1987	Gilliam, III et al.
5,168,595	A	12/1992	Naylor, Jr.
5,235,720	A	8/1993	Kinder
5,406,672	A	4/1995	Hipke

6,622,337	B2	9/2003	Hsieh	
6,748,621	B1	6/2004	Root	
D680,051	S *	4/2013	Tolentino et al.	D12/219
D685,713	S *	7/2013	Wang	D12/219
D686,555	S *	7/2013	Song et al.	D12/219
D686,556	S *	7/2013	Song et al.	D12/219
D686,557	S *	7/2013	Kwon	D12/219
D692,818	S *	11/2013	Tolentino et al.	D12/219
D692,819	S *	11/2013	Tolentino et al.	D12/220
2011/0154605	A1	6/2011	Nelson	
2012/0317740	A1 *	12/2012	Yang et al.	15/250.32
2012/0324671	A1 *	12/2012	Pinto et al.	15/250.32
2012/0324672	A1 *	12/2012	Pinto et al.	15/250.48

* cited by examiner

Primary Examiner — Katrina A Betton

(74) *Attorney, Agent, or Firm* — Montgomery Patent & Design; Robert C. Montgomery

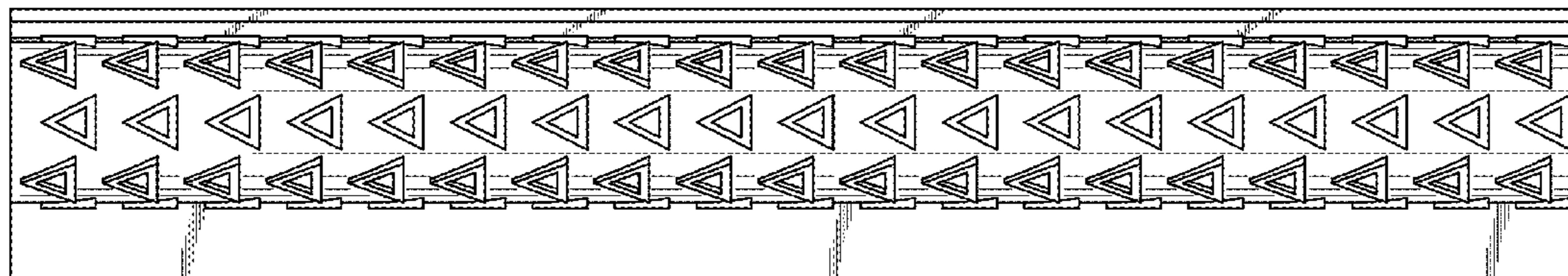
(57) **CLAIM**

The ornamental design for a squeegee windshield wiper, as shown and described.

DESCRIPTION

FIG. 1 is a perspective view of a squeegee windshield wiper, showing my new design;
FIG. 2 is a right view thereof;
FIG. 3 is a left view thereof;
FIG. 4 is a front view thereof, with a rear view being a mirror image;
FIG. 5 is a top view thereof; and,
FIG. 6 is a bottom view thereof.

1 Claim, 5 Drawing Sheets



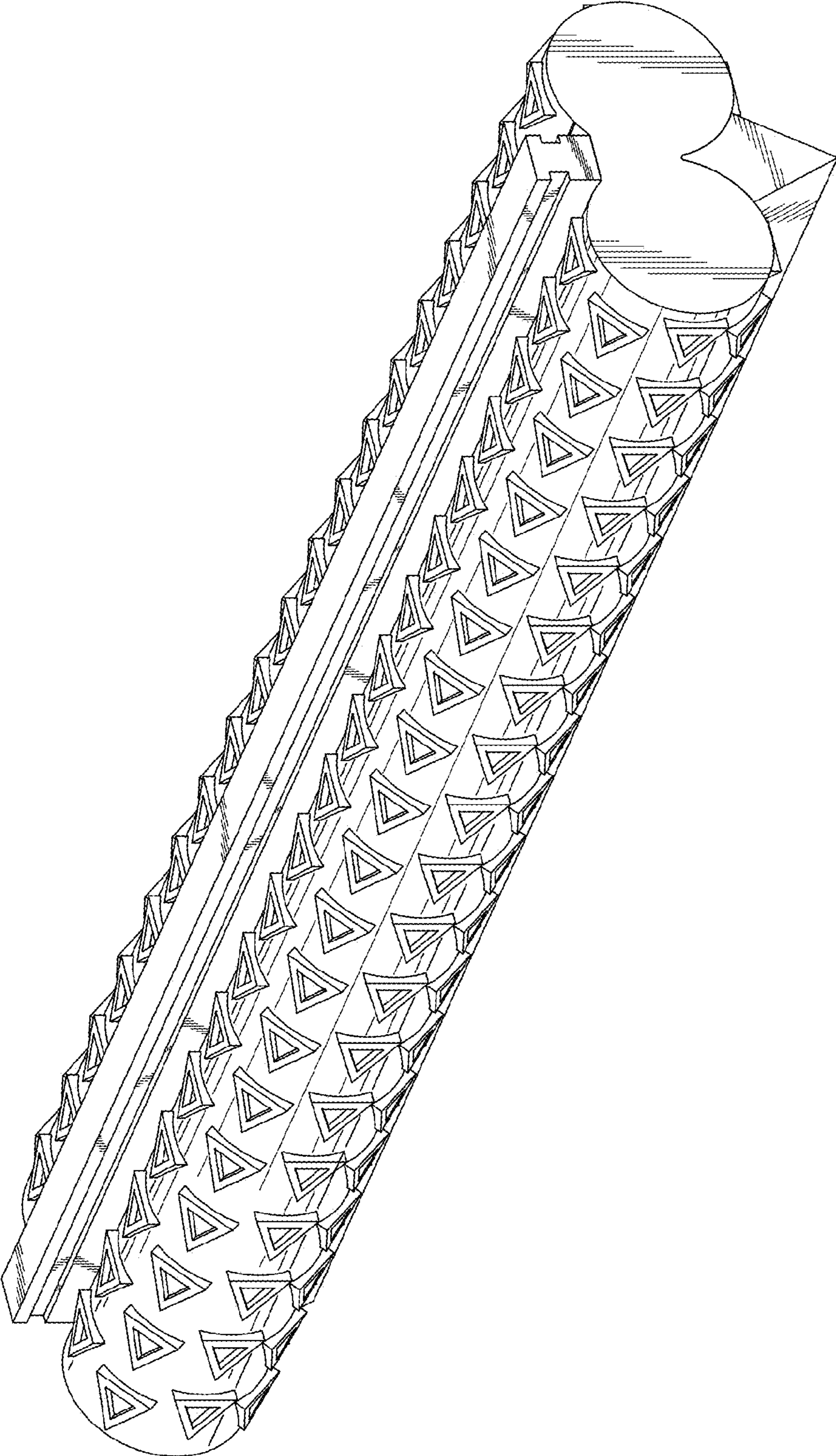


Fig. 1

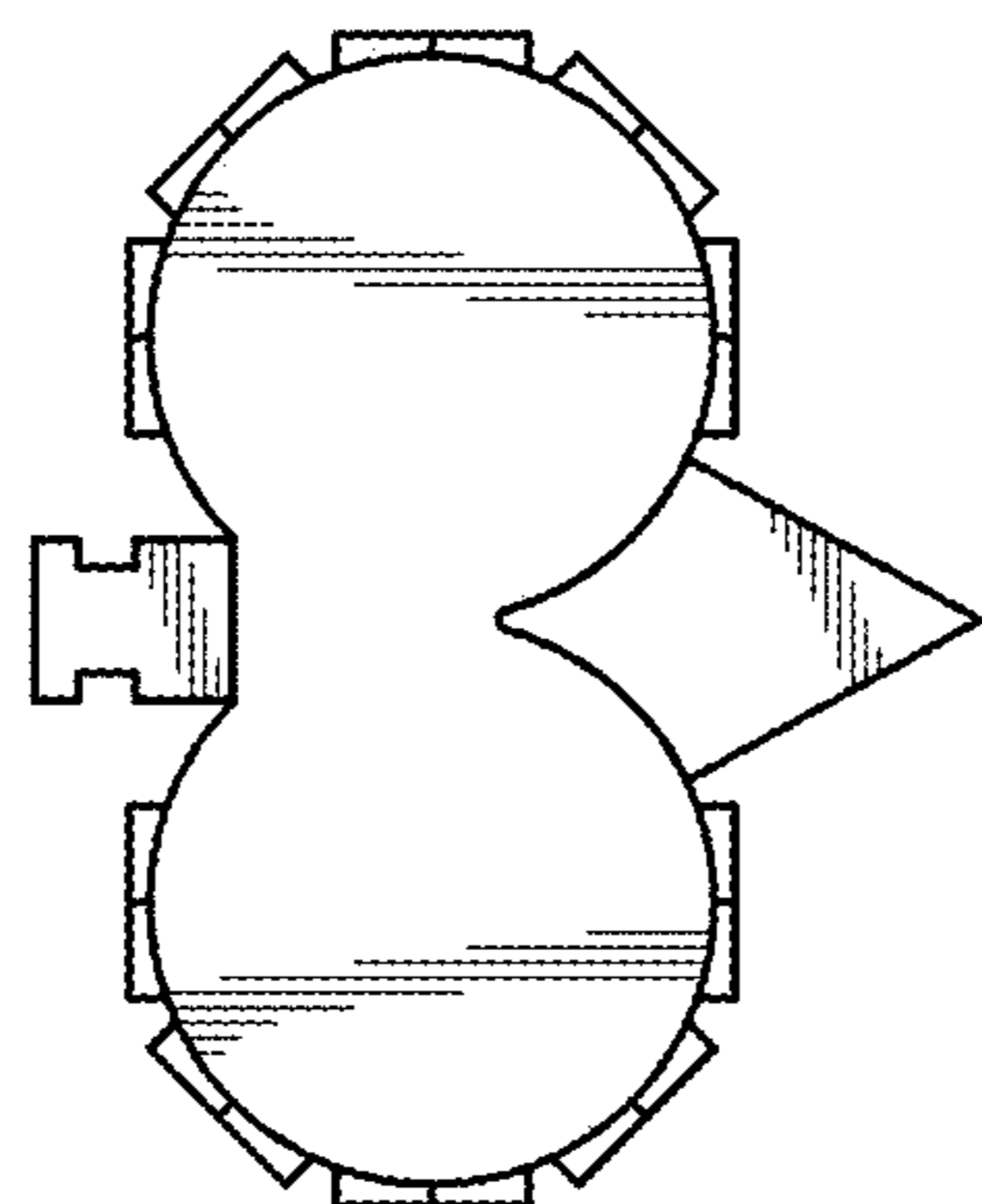


Fig. 3

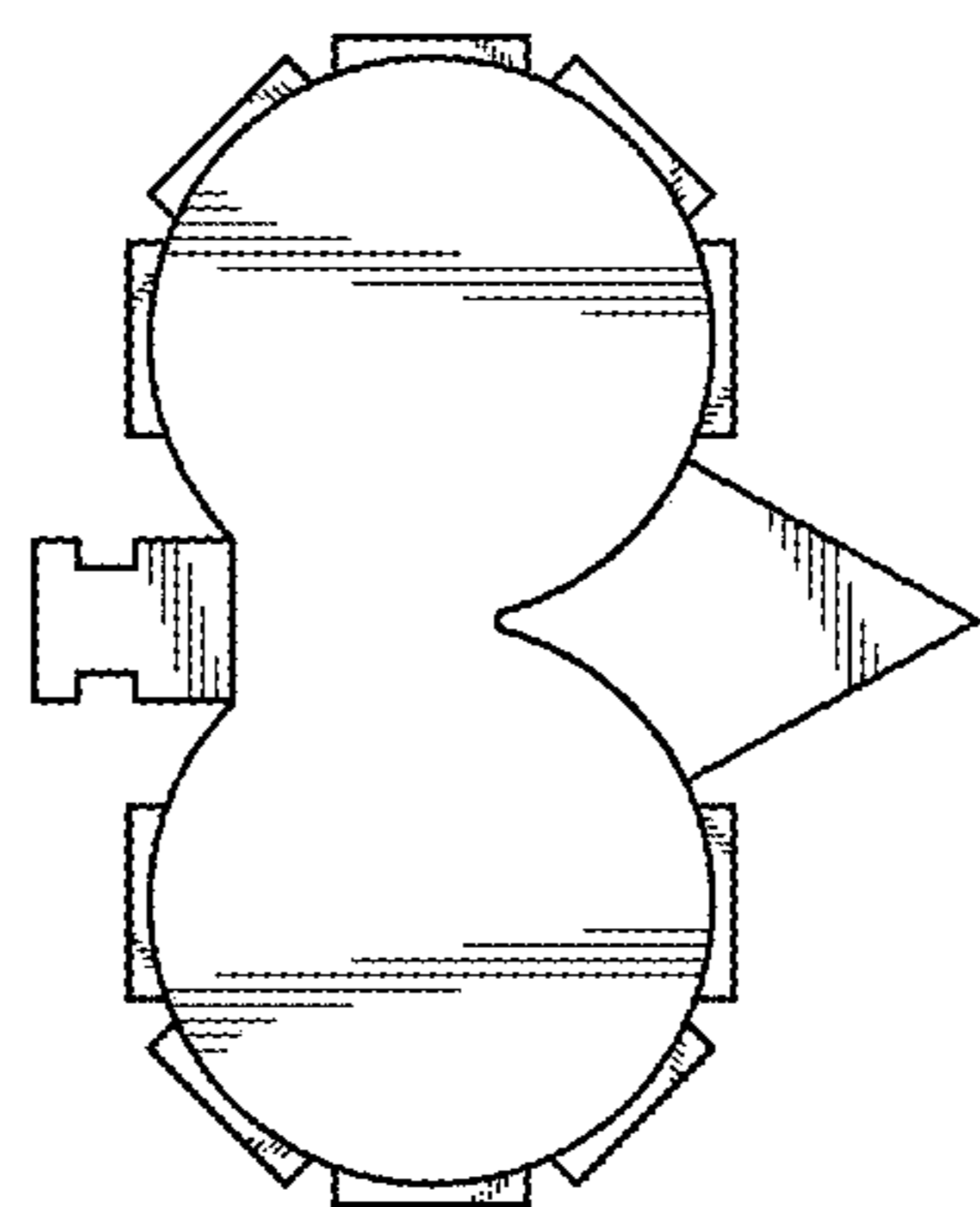


Fig. 2

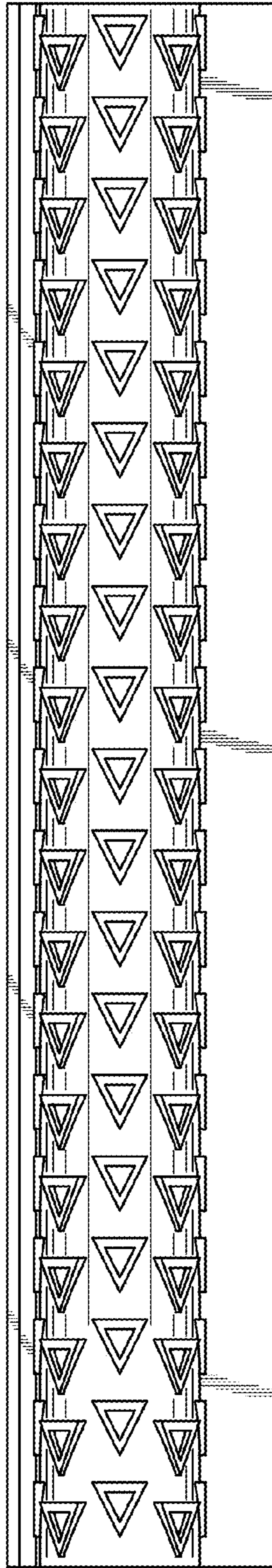


Fig. 4

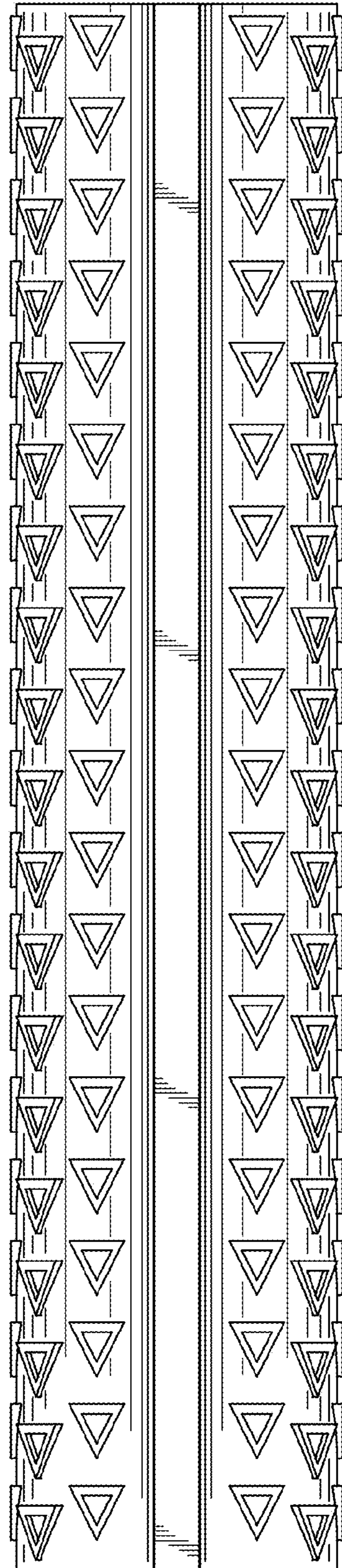


Fig. 5

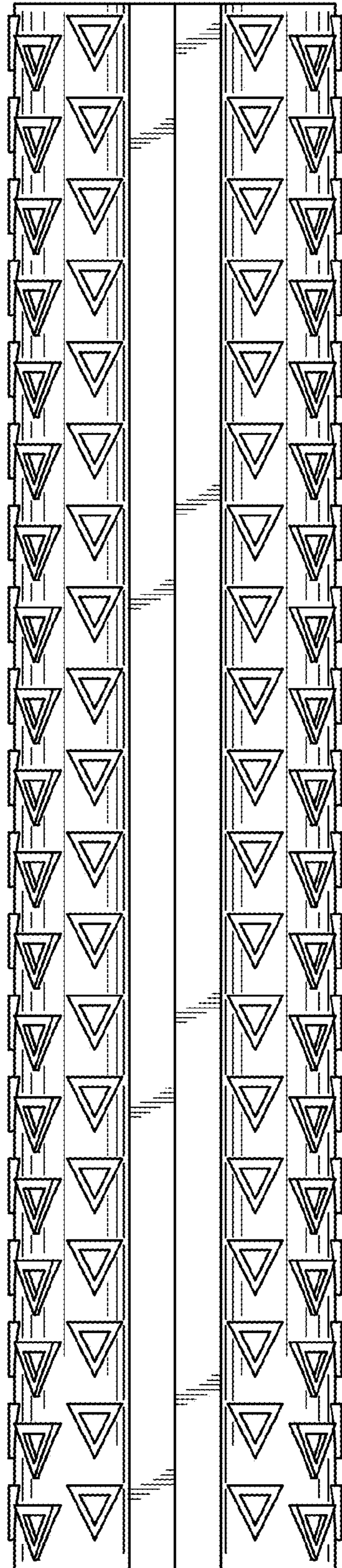


Fig. 6