



US00D698717S

(12) **United States Design Patent**
Kobayashi

(10) **Patent No.:** **US D698,717 S**
(45) **Date of Patent:** **** Feb. 4, 2014**

- (54) **REAR GATE FOR AUTOMOBILE**
- (71) Applicant: **Honda Motor Co., Ltd**, Tokyo (JP)
- (72) Inventor: **Masaki Kobayashi**, Wako (JP)
- (73) Assignee: **Honda Motor Co., Ltd**, Tokyo (JP)
- (**) Term: **14 Years**
- (21) Appl. No.: **29/459,031**
- (22) Filed: **Jun. 25, 2013**
- (30) **Foreign Application Priority Data**
Dec. 28, 2012 (JP) 2012-032041
- (51) **LOC (10) Cl.** **12-16**
- (52) **U.S. Cl.**
USPC **D12/196**
- (58) **Field of Classification Search**
USPC D12/56, 90, 91, 92, 159, 196; 296/56,
296/146.4, 146.8, 180.1, 180.5
See application file for complete search history.

D580,330	S	*	11/2008	Gueler et al.	D12/196
D582,824	S	*	12/2008	Kobayashi	D12/196
7,537,256	B2	*	5/2009	Gates et al.	296/1.07
D600,616	S	*	9/2009	Mattin et al.	D12/196
D644,975	S	*	9/2011	Kumai et al.	D12/196
D647,835	S	*	11/2011	Sowa et al.	D12/196
D663,665	S	*	7/2012	Hakamata et al.	D12/196
D681,529	S	*	5/2013	Minami et al.	D12/196

* cited by examiner

Primary Examiner — Philip S Hyder
Assistant Examiner — Darlington Ly

(74) *Attorney, Agent, or Firm* — Westerman, Hattori,
Daniels & Adrian, LLP

(57) **CLAIM**

The ornamental design for a rear gate for automobile, as shown and described.

DESCRIPTION

FIG. 1 is a perspective view from the front side of a rear gate for automobile.

FIG. 2 is a front elevation view thereof.

FIG. 3 is a right side elevation view thereof. A left side elevation view is a mirror image of the right side elevation view; and,

FIG. 4 is a top plan view thereof.

The portions of the rear gate shown in broken lines are for the purpose of showing environmental structure only and form no part of the claimed design.

1 Claim, 4 Drawing Sheets

- (56) **References Cited**
U.S. PATENT DOCUMENTS
6,019,418 A * 2/2000 Emerling et al. 296/146.8
D501,167 S * 1/2005 Otto et al. D12/196
7,011,357 B2 * 3/2006 Seksaria et al. 296/146.2
D540,234 S * 4/2007 Fujimaki D12/196
D558,658 S * 1/2008 Leclercq D12/196

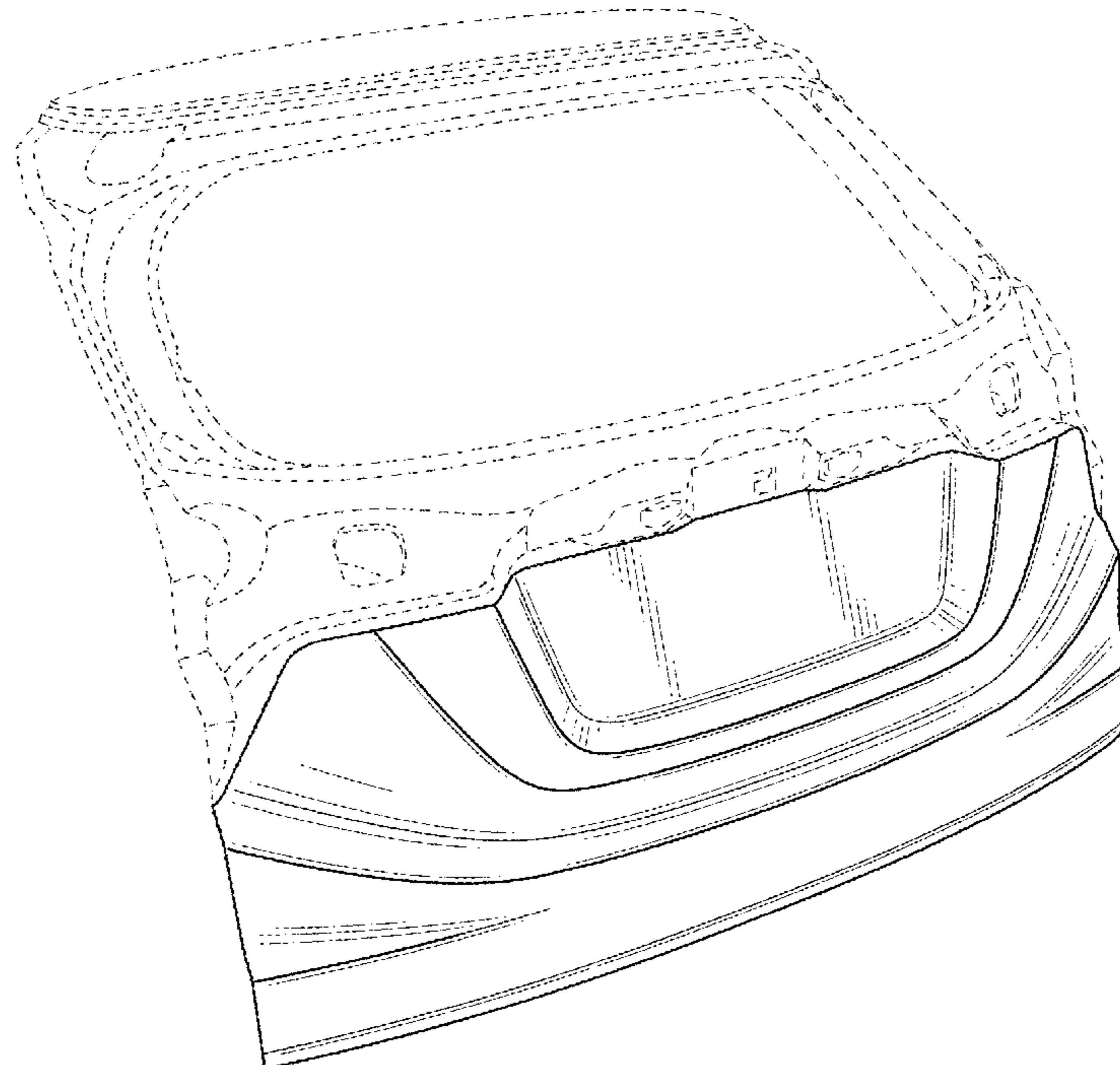


FIG. 1

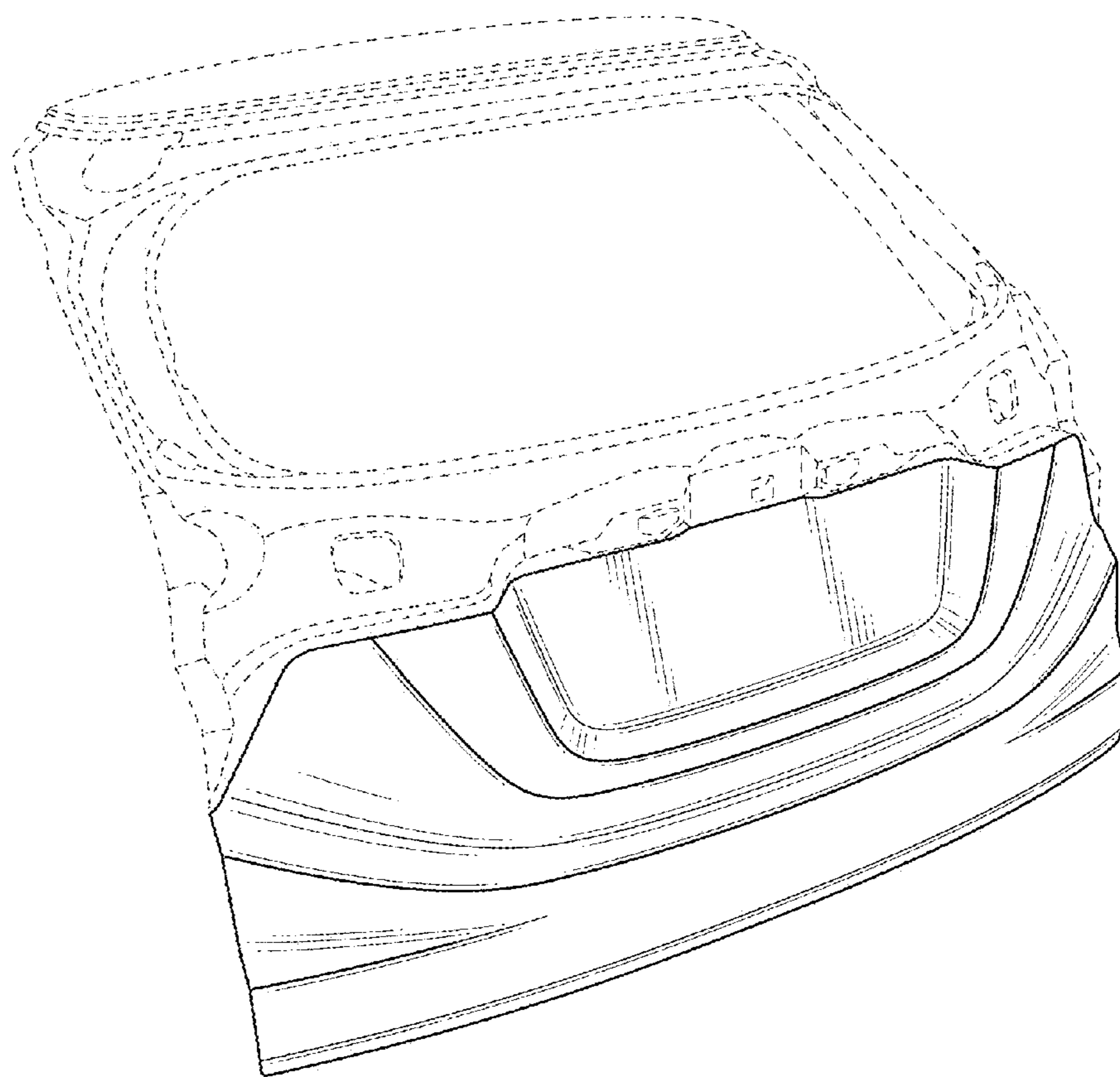


FIG. 2

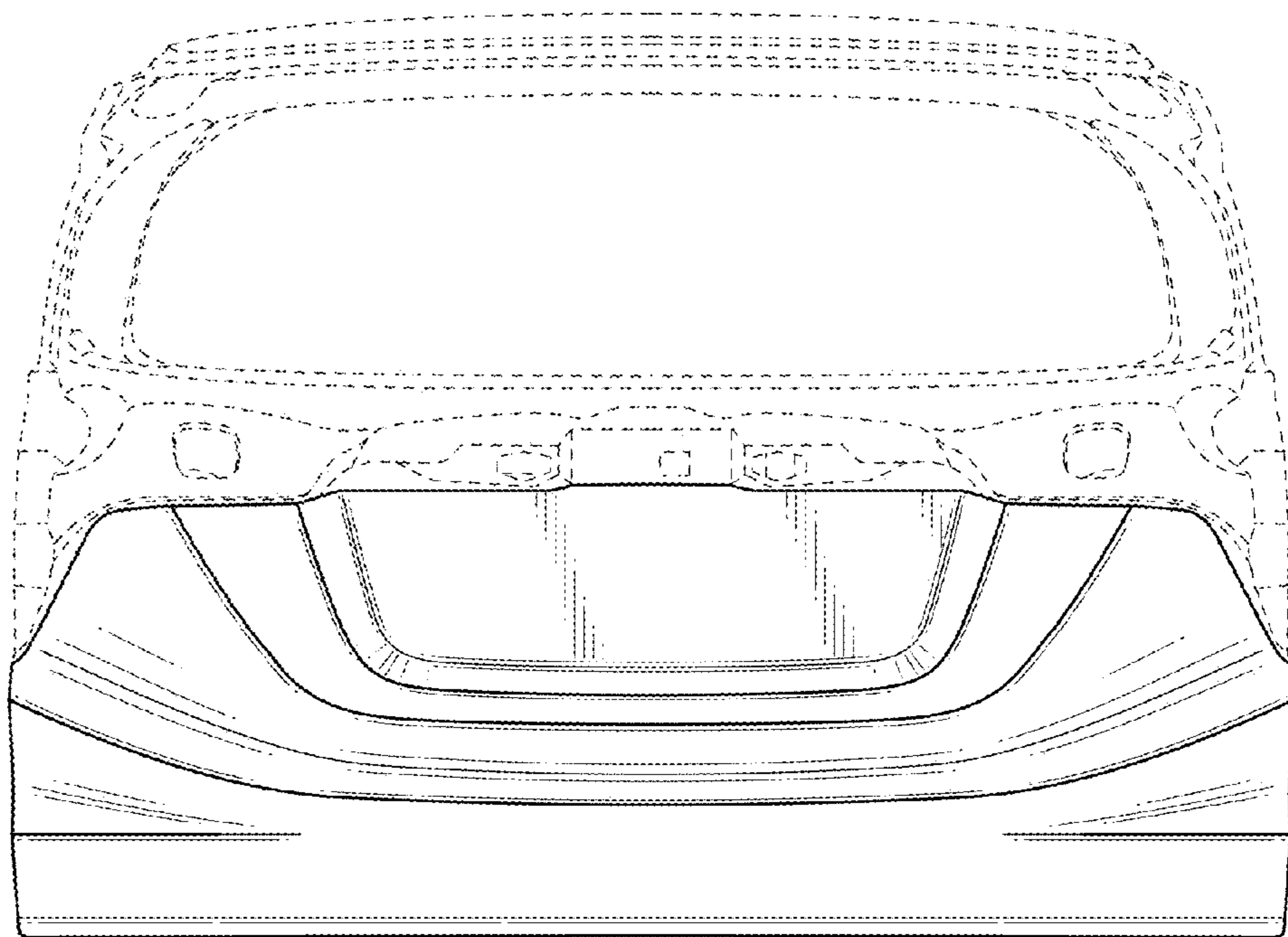


FIG. 3

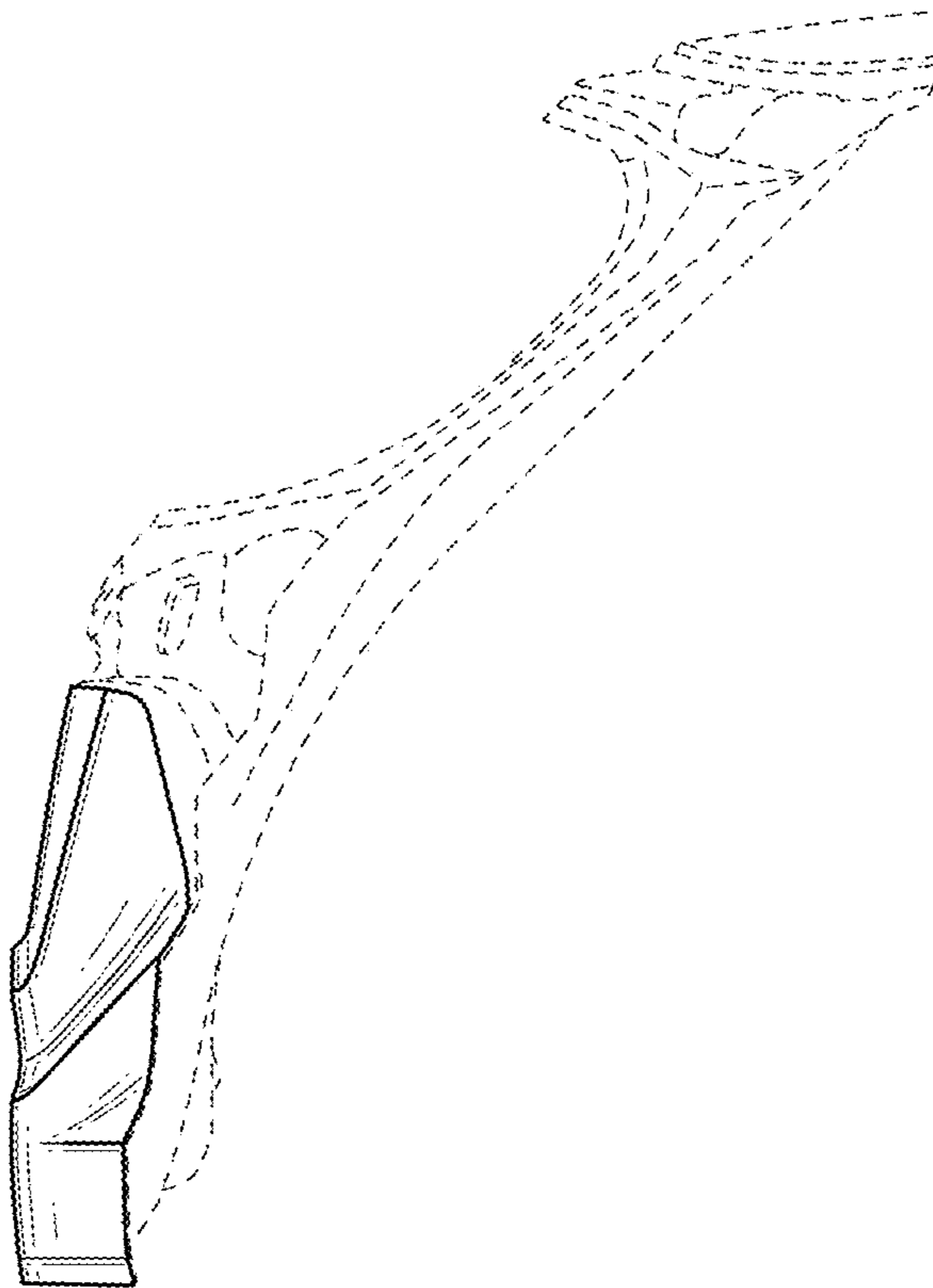


FIG. 4

