



US00D698715S

(12) **United States Design Patent**  
**Ewringmann**

(10) **Patent No.:** **US D698,715 S**

(45) **Date of Patent:** **\*\* Feb. 4, 2014**

(54) **EXTENSION ARM WITH LIGHT FOR A ROAD CONSTRUCTION MACHINE**

(71) Applicant: **Joseph-Vogele AG**, Ludwigshafen/Rhein (DE)

(72) Inventor: **Ulrich Ewringmann**, Taufkirchen-Potzham (DE)

(73) Assignee: **Joseph Vogele AG**, Ludwigshafen/Rhein (DE)

(\*\*) Term: **14 Years**

(21) Appl. No.: **29/460,334**

(22) Filed: **Jul. 10, 2013**

**Related U.S. Application Data**

(62) Division of application No. 29/412,340, filed on Feb. 1, 2012.

(30) **Foreign Application Priority Data**

Aug. 1, 2011 (DE) ..... 001289920

(51) **LOC (10) Cl.** ..... **12-16**

(52) **U.S. Cl.**  
USPC ..... **D12/187**

(58) **Field of Classification Search**  
USPC ..... D12/187-189; 359/438-444, 866, 868, 359/871

See application file for complete search history.

(56) **References Cited**

U.S. PATENT DOCUMENTS

D585,800 S \* 2/2009 Cheng ..... D12/187

\* cited by examiner

*Primary Examiner* — Marcus Jackson

(74) *Attorney, Agent, or Firm* — Fish & Richardson P.C.

(57) **CLAIM**

The ornamental design for a extension arm with light for a road construction machine, as shown and described.

**DESCRIPTION**

FIG. 1 is a front side view of the design for an extension arm with a light for a road construction machine in the present invention.

FIG. 2 is a left side view of the design for an extension arm with a light for a road construction machine of FIG. 1.

FIG. 3 is a rear side view of the design for an extension arm with a light for a road construction machine of FIG. 1.

FIG. 4 is a right side view of the design for an extension arm with a light for a road construction machine of FIG. 1.

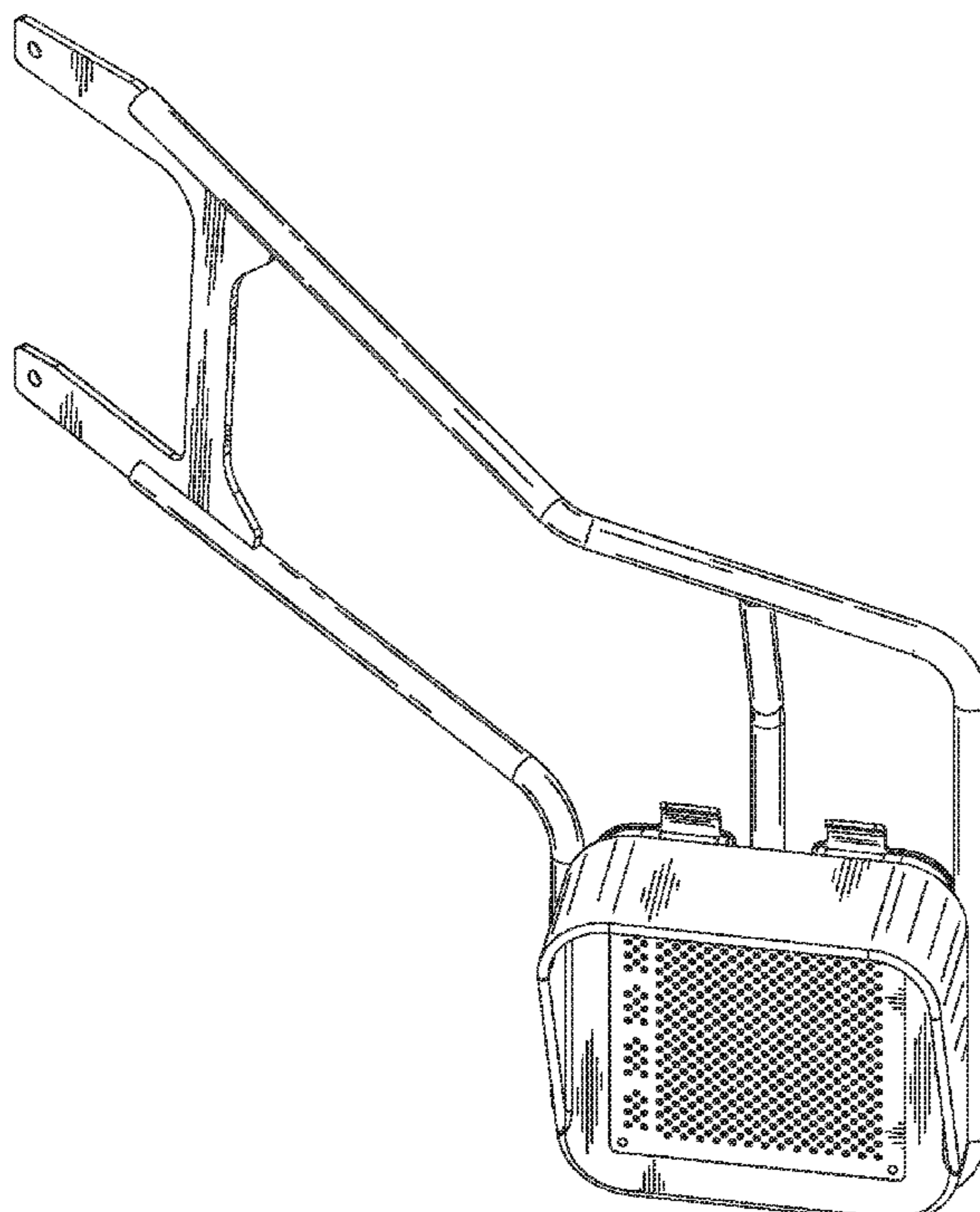
FIG. 5 is a top side view of the design for an extension arm with a light for a road construction machine of FIG. 1.

FIG. 6 is a bottom side view of the design for an extension arm with a light for a road construction machine of FIG. 1.

FIG. 7 is a perspective view onto the front side, left side and top side of the design for an extension arm with a light for a road construction machine of FIG. 1; and,

FIG. 8 is a further perspective view onto the rear side and top side of the design for an extension arm with a light for a road construction machine of FIG. 1.

**1 Claim, 8 Drawing Sheets**



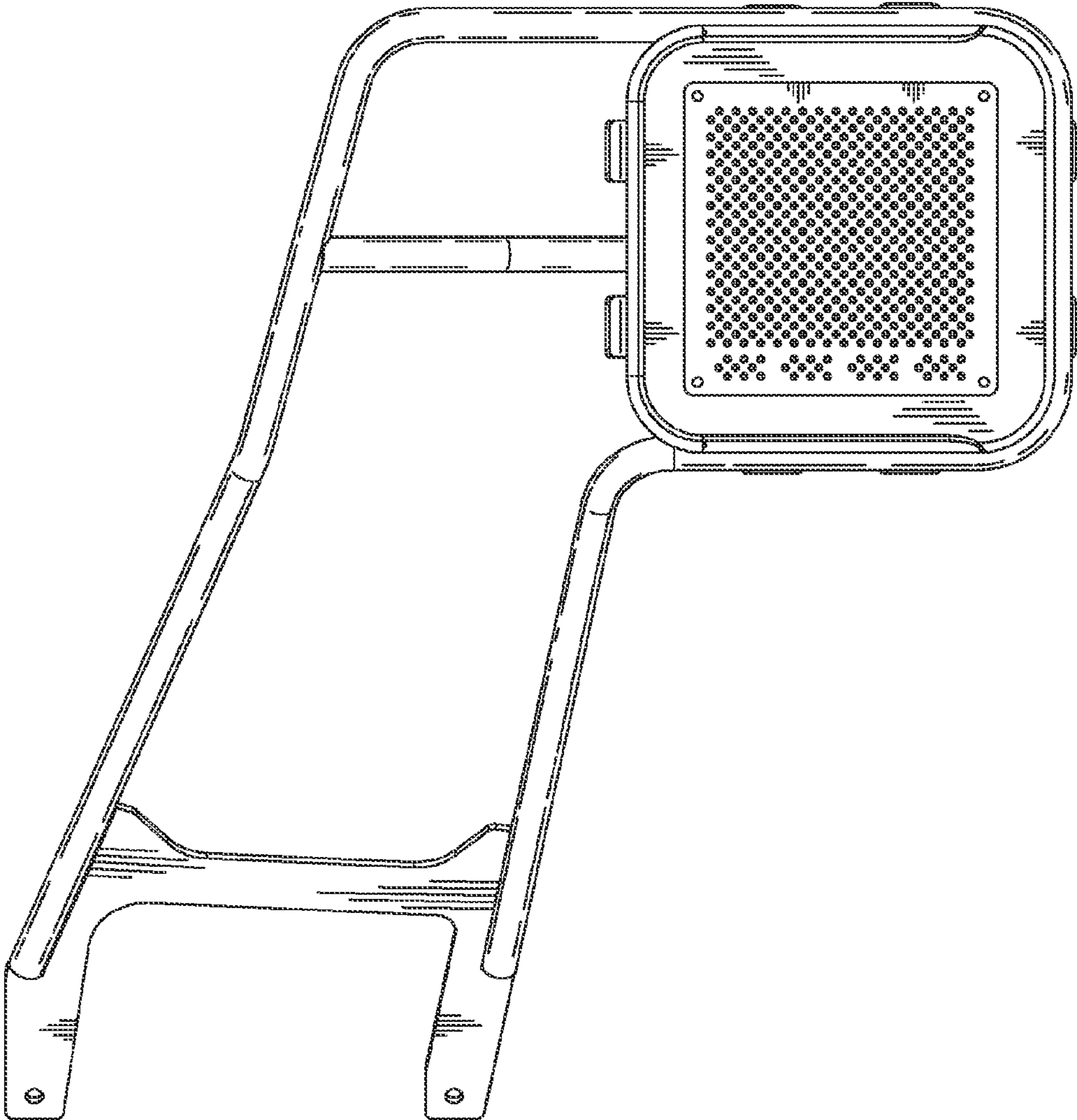


FIGURE 1

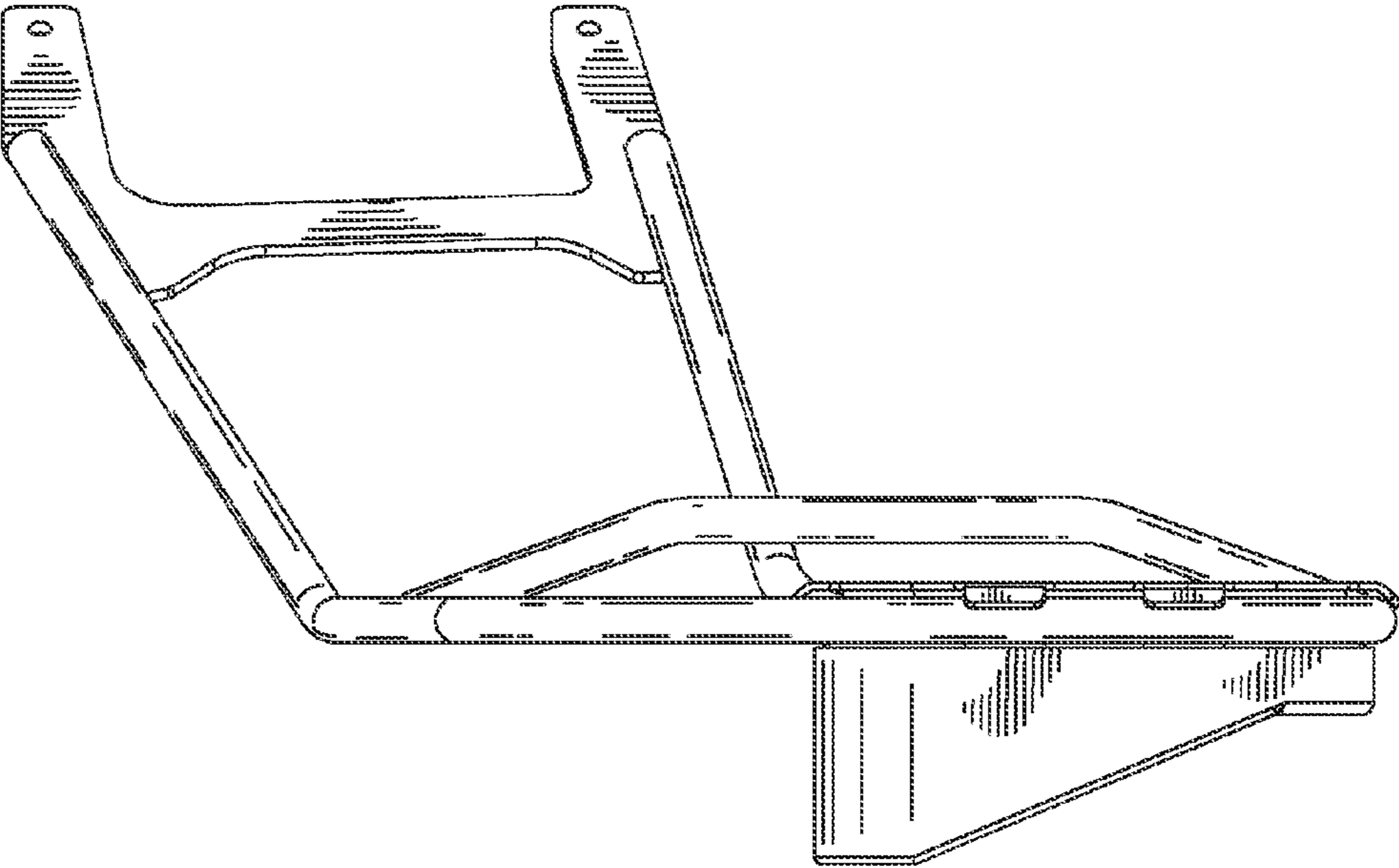


FIGURE 2

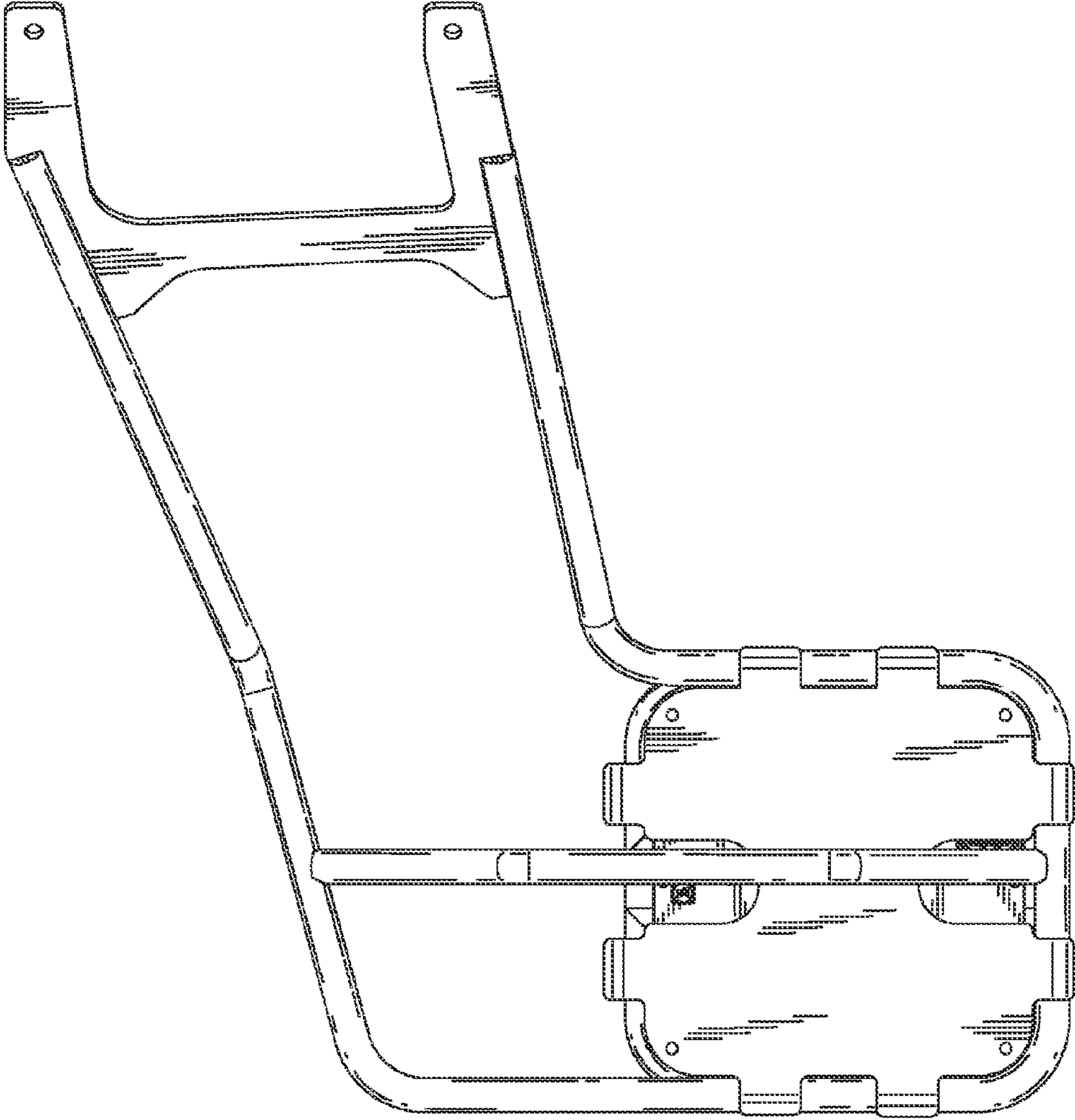


FIGURE 3

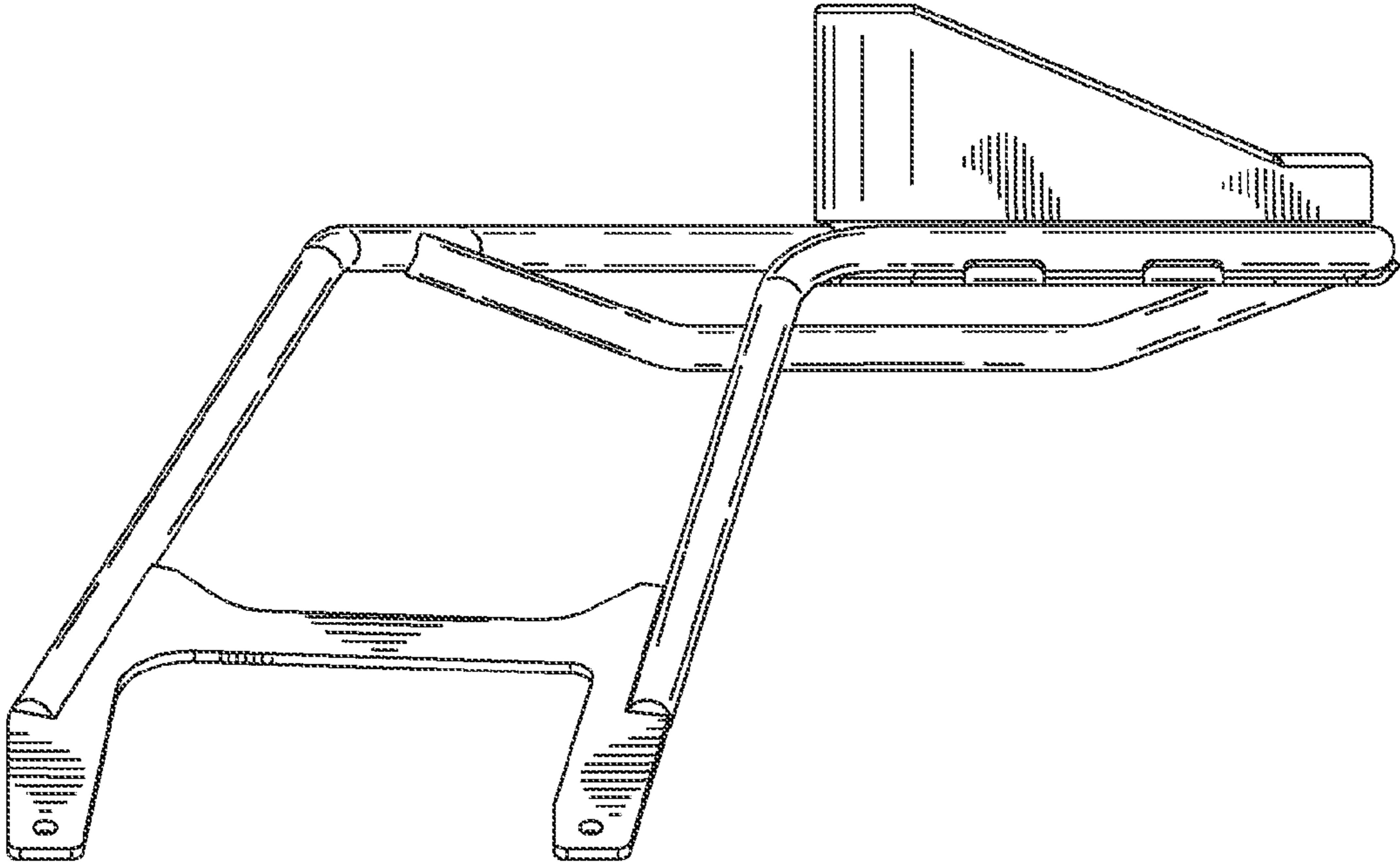


FIGURE 4

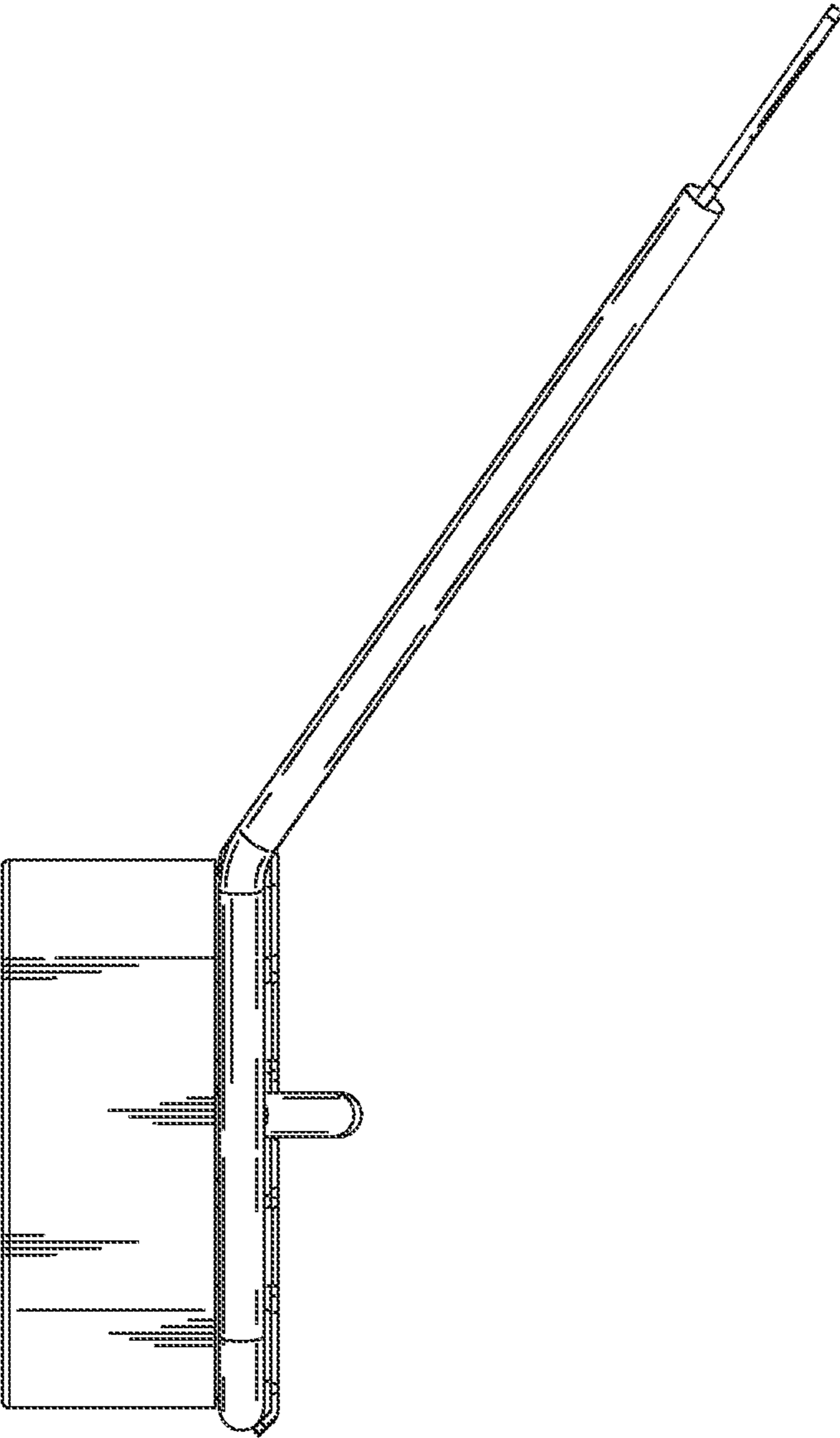


FIGURE 5

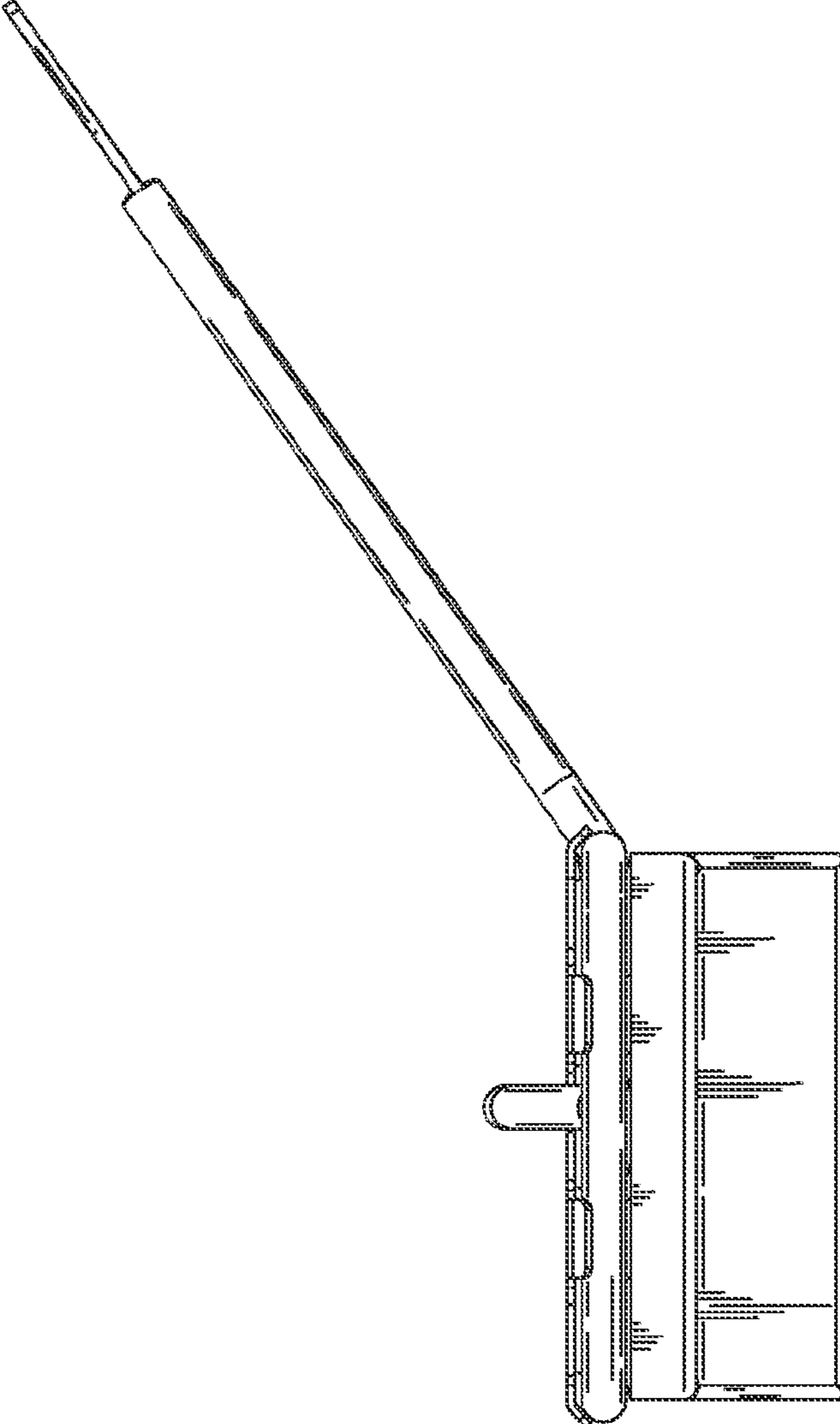


FIGURE 6

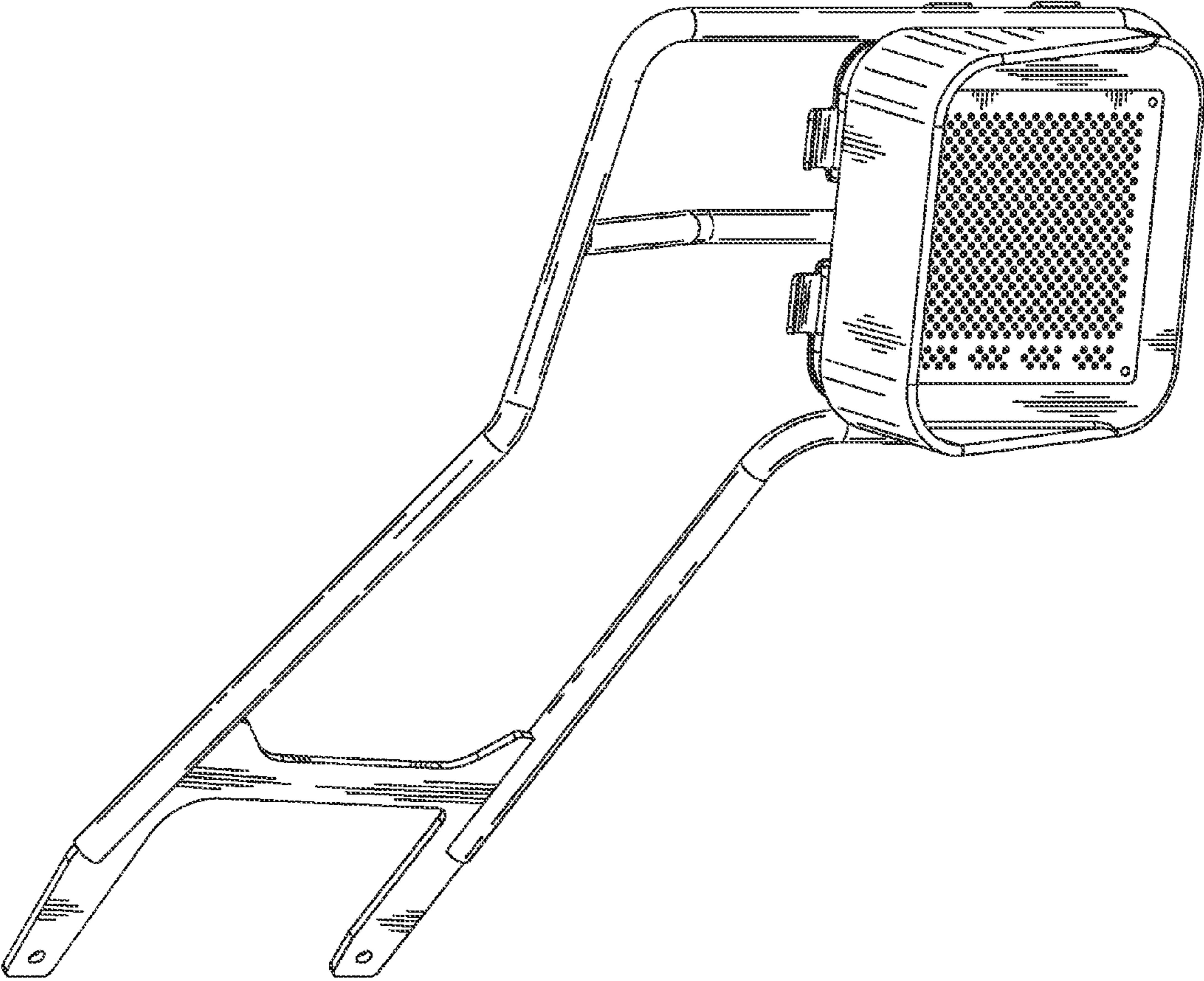


FIGURE 7



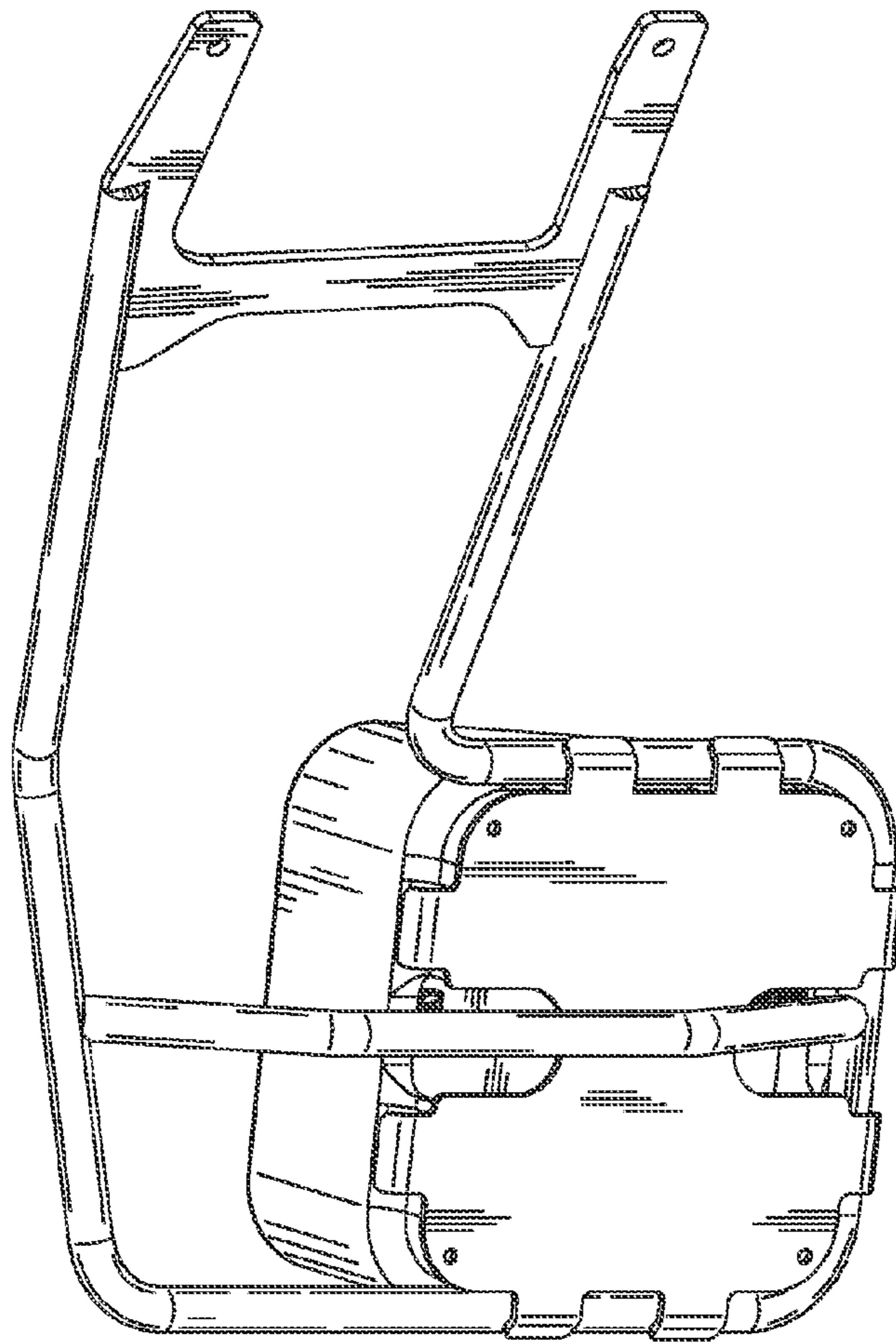


FIGURE 8