



US00D698712S

(12) **United States Design Patent**  
**Sato et al.**

(10) **Patent No.:** **US D698,712 S**  
(45) **Date of Patent:** **\*\* Feb. 4, 2014**

(54) **REAR BUMPER FOR AUTOMOBILE**

(75) Inventors: **Dai Sato**, Paris (FR); **Toshiyuki Abe**,  
Kanagawa (JP)

(73) Assignee: **Nissan Motor Co., Ltd.**, Yokohama (JP)

(\*\*) Term: **14 Years**

(21) Appl. No.: **29/431,608**

(22) Filed: **Sep. 10, 2012**

(30) **Foreign Application Priority Data**

Mar. 19, 2012 (JP) ..... 2012-006241

(51) **LOC (10) Cl.** ..... **12-16**

(52) **U.S. Cl.**  
USPC ..... **D12/169**

(58) **Field of Classification Search**  
USPC ..... D12/169, 216, 90-92, 86, 171, 196,  
D12/163; 293/102, 113, 115, 117, 120;  
296/180.1, 180.2

See application file for complete search history.

(56) **References Cited**

**U.S. PATENT DOCUMENTS**

D598,824 S \* 8/2009 Bauer et al. .... D12/169  
D610,504 S \* 2/2010 Bucher et al. .... D12/169

D630,976 S \* 1/2011 Clottu ..... D12/169  
D644,575 S \* 9/2011 Messale ..... D12/169  
D659,605 S \* 5/2012 Varga ..... D12/169  
D671,049 S \* 11/2012 Davidson et al. .... D12/169  
D690,631 S \* 10/2013 Kazama ..... D12/169

\* cited by examiner

*Primary Examiner* — Melody Brown

(74) *Attorney, Agent, or Firm* — Global IP Counselors, LLP

(57) **CLAIM**

The ornamental design for a rear bumper for an automobile,  
as shown and described.

**DESCRIPTION**

FIG. 1 is a front elevational view of an automobile and/or  
replica thereof showing our new design;

FIG. 2 is a top plan view thereof;

FIG. 3 is a bottom plan view thereof;

FIG. 4 is a left side elevational view thereof;

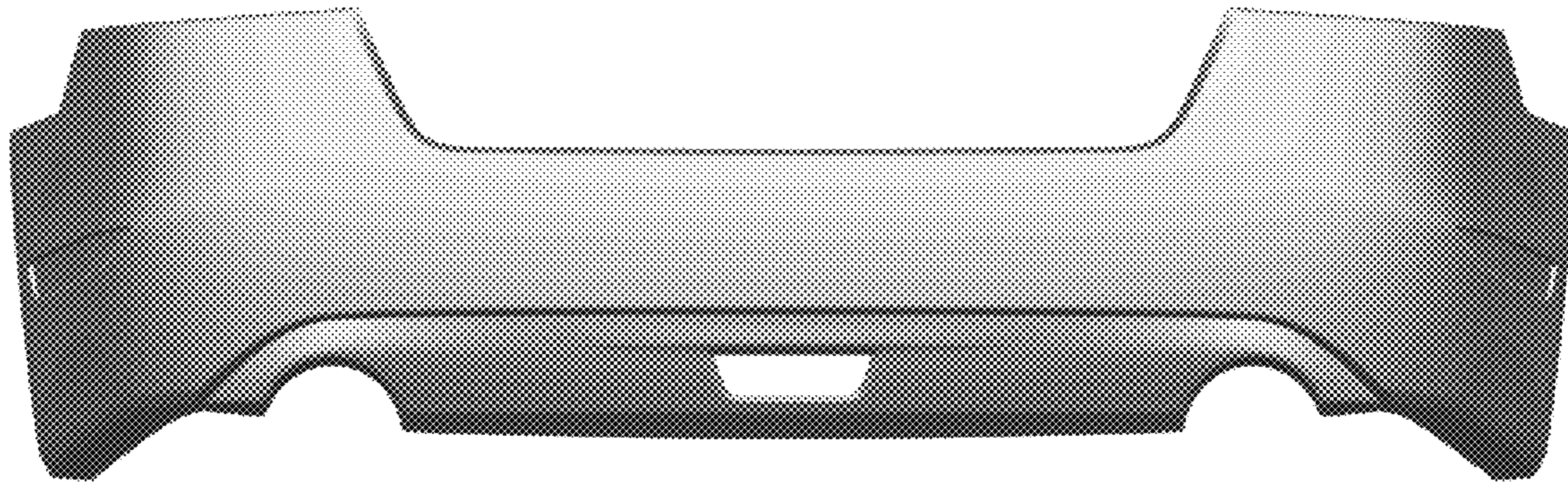
FIG. 5 is a right side elevational thereof;

FIG. 6 is a top, front and right side perspective view thereof;  
and,

FIG. 7 is a bottom, front and left side perspective view  
thereof.

The rear view of the rear bumper forms no part of the claimed  
design.

**1 Claim, 7 Drawing Sheets**



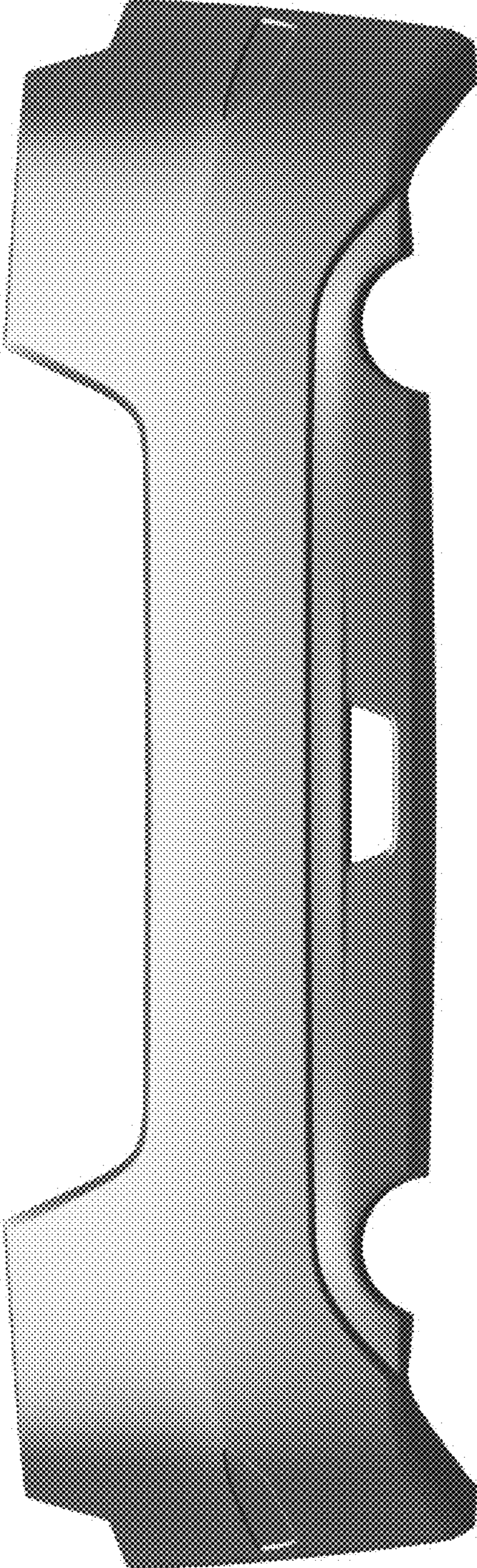
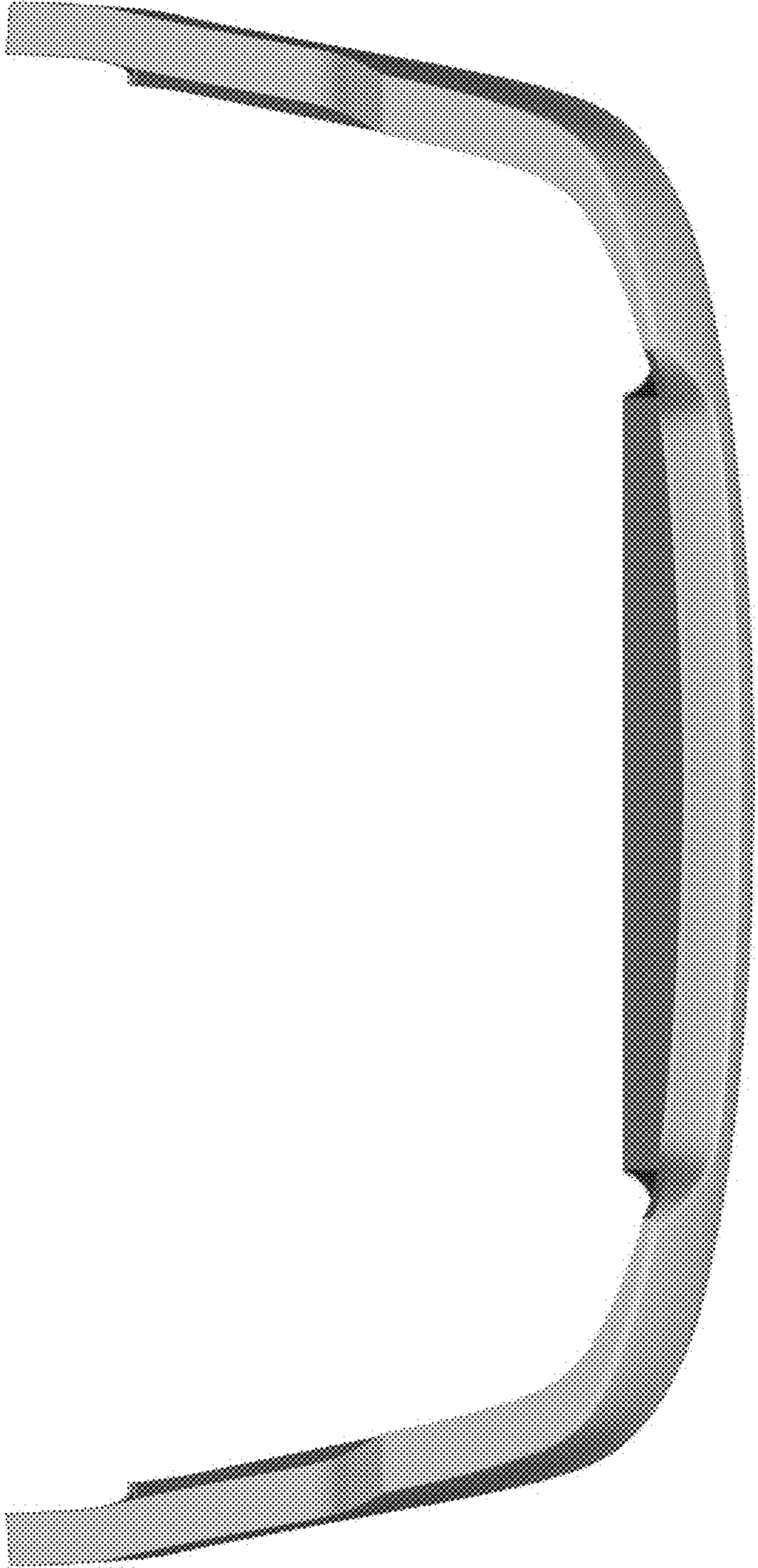
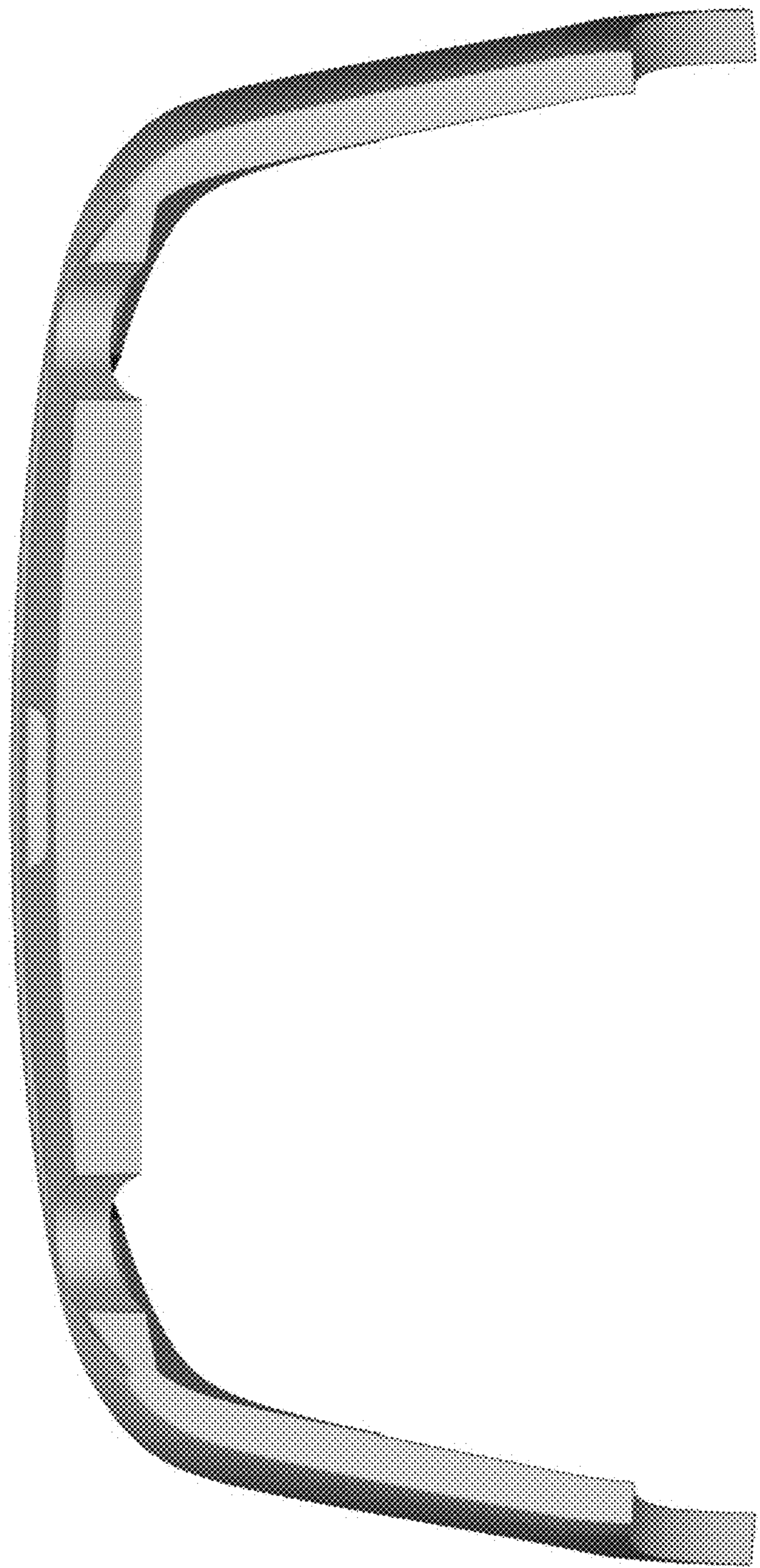


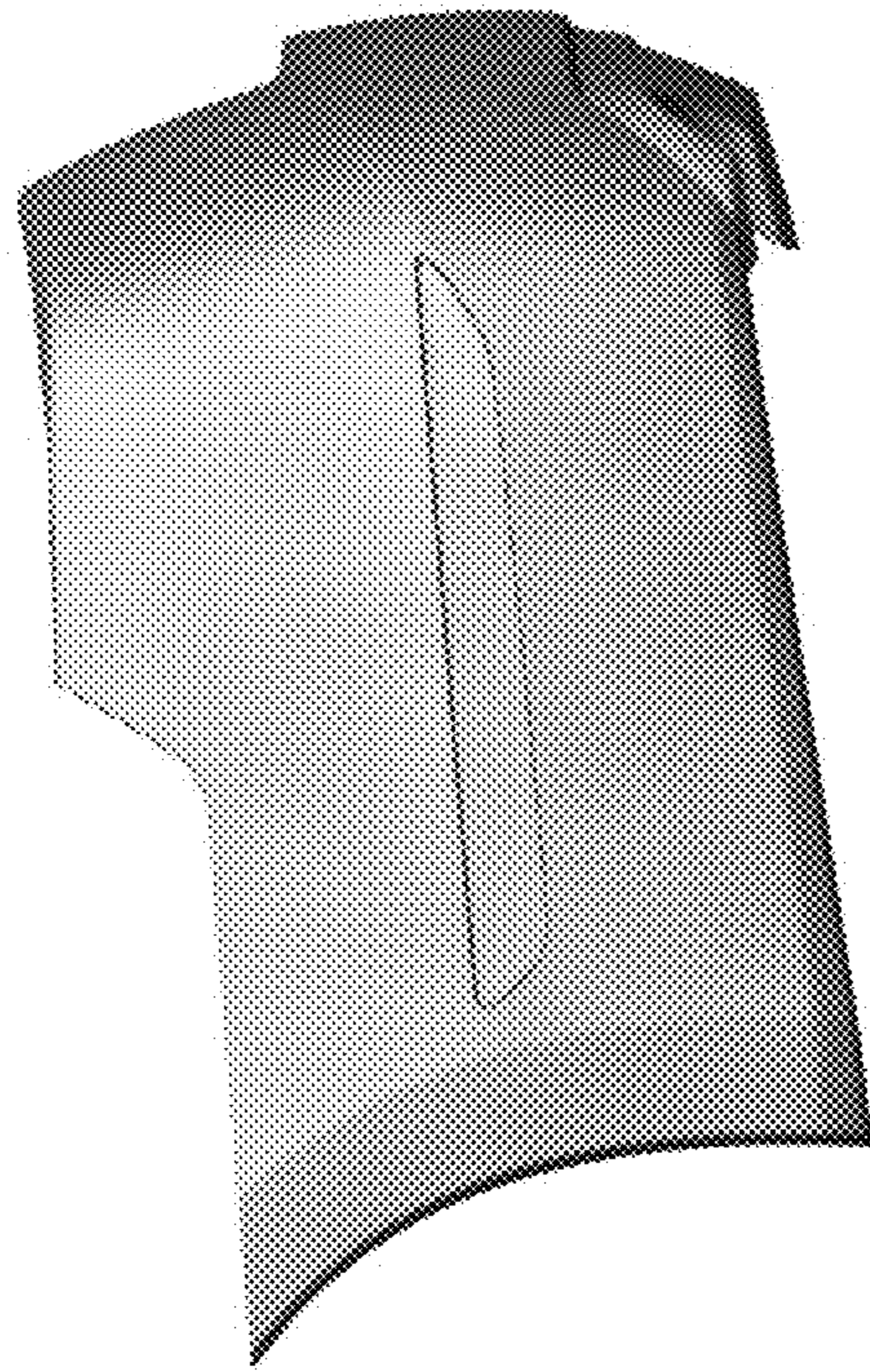
FIG. 1



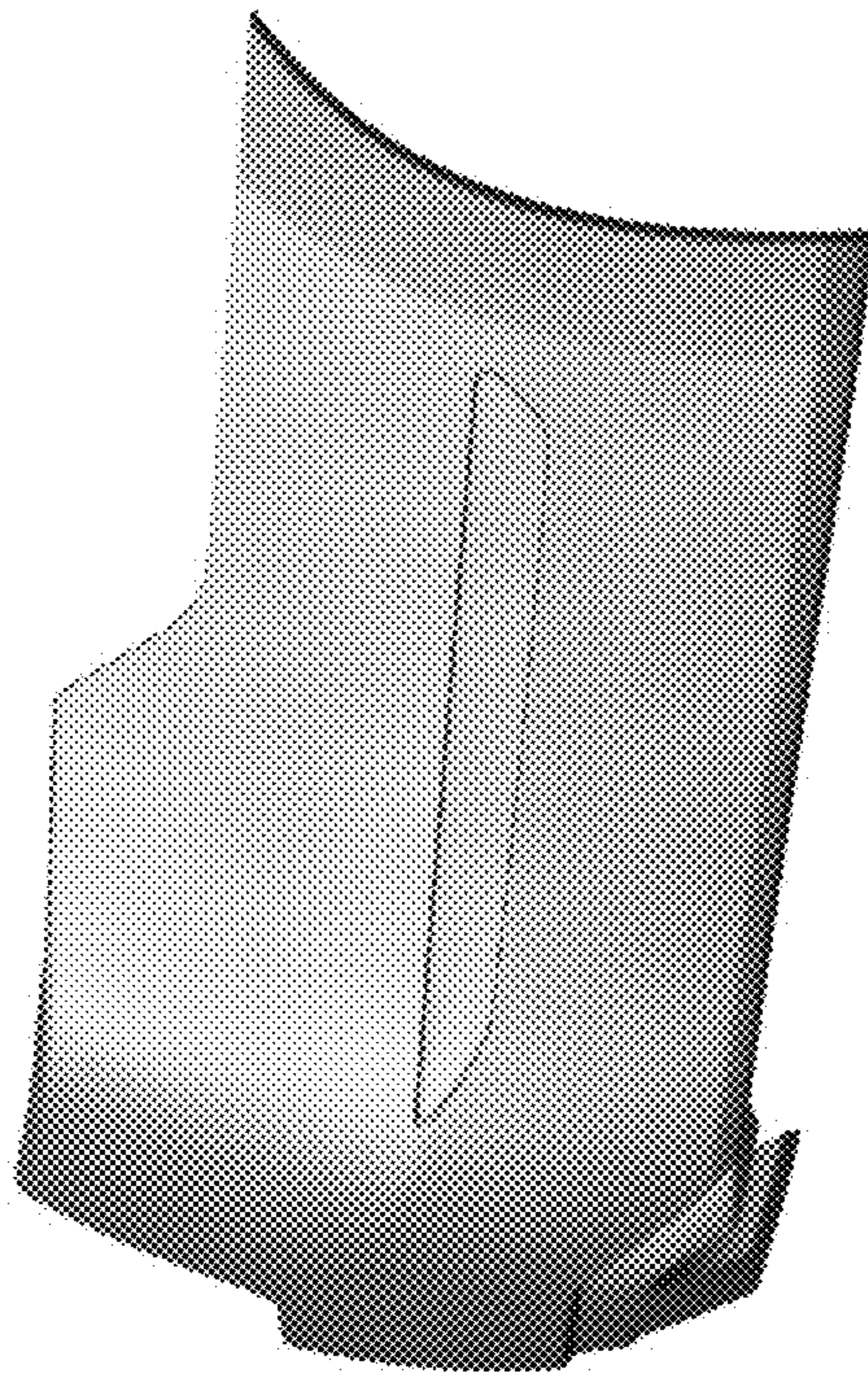
**FIG. 2**



**FIG. 3**



**FIG. 4**



**FIG. 5**

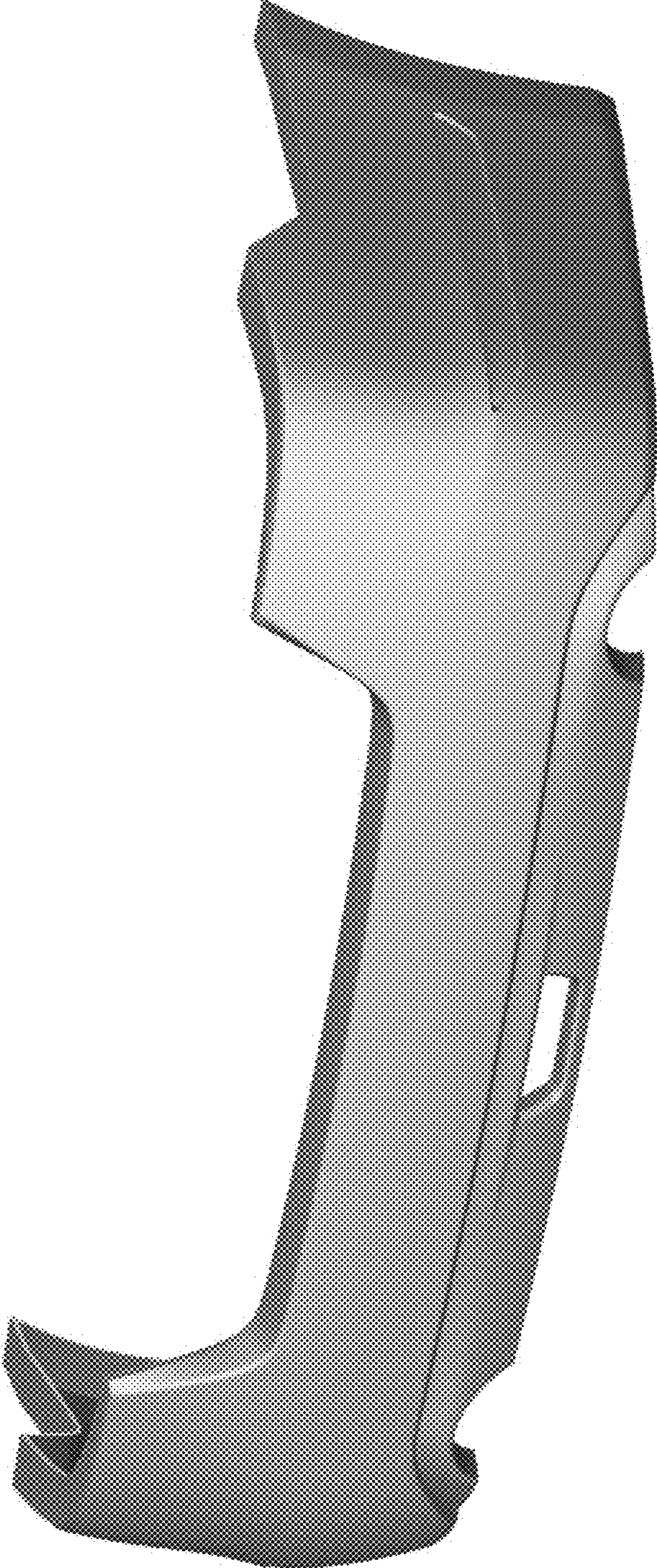
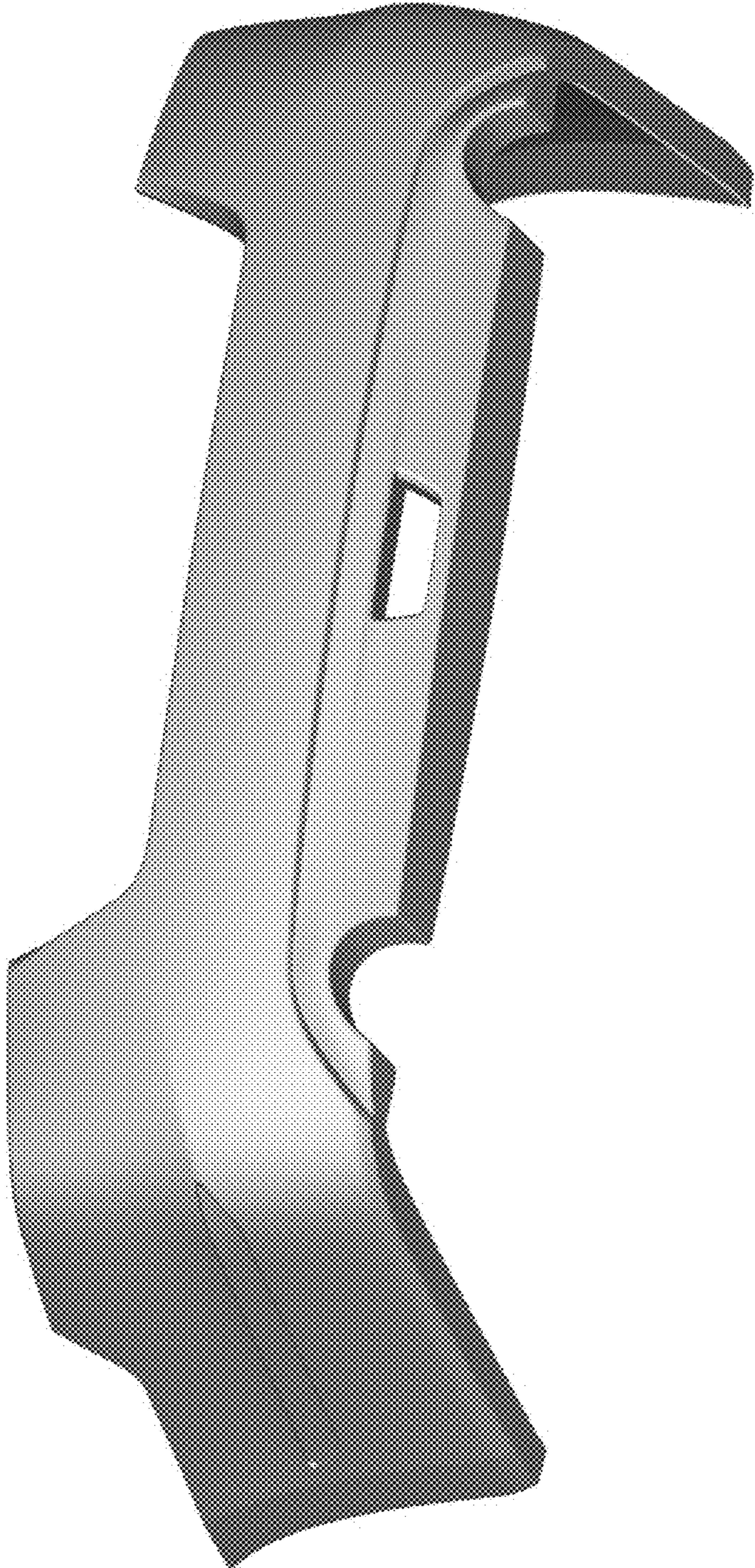


FIG. 6



**FIG. 7**