



US00D698706S

(12) **United States Design Patent**
Tada

(10) **Patent No.:** **US D698,706 S**
(45) **Date of Patent:** **** Feb. 4, 2014**

(54) **RADIATOR GRILL FOR AUTOMOBILE**

(75) Inventor: **Atsuko Tada**, Kanagawa (JP)

(73) Assignee: **Nissan Motor Co., Ltd.**, Yokohama (JP)

(**) Term: **14 Years**

(21) Appl. No.: **29/431,602**

(22) Filed: **Sep. 10, 2012**

(30) **Foreign Application Priority Data**

Mar. 19, 2012 (JP) 2012-006239

(51) **LOC (10) Cl.** **12-16**

(52) **U.S. Cl.**
USPC **D12/163**

(58) **Field of Classification Search**
USPC D12/163, 196, 171, 169, 216, 90-92,
D12/86; 180/68.1, 68.6; 296/193.11
See application file for complete search history.

(56) **References Cited**

U.S. PATENT DOCUMENTS

- D562,741 S * 2/2008 Matsumoto et al. D12/163
- D565,480 S * 4/2008 McMahan D12/163
- D614,542 S * 4/2010 Kasai et al. D12/163
- D614,543 S * 4/2010 Kitazumi et al. D12/163
- D616,341 S * 5/2010 Fukui et al. D12/163
- D626,464 S * 11/2010 Yanase et al. D12/163
- D629,339 S * 12/2010 Choi et al. D12/163
- D665,314 S * 8/2012 Fukui et al. D12/163

D682,164 S * 5/2013 Fuchigami D12/163

* cited by examiner

Primary Examiner — Melody Brown

(74) *Attorney, Agent, or Firm* — Global IP Counselors, LLP

(57) **CLAIM**

The ornamental design for a radiator grill for an automobile, as shown and described.

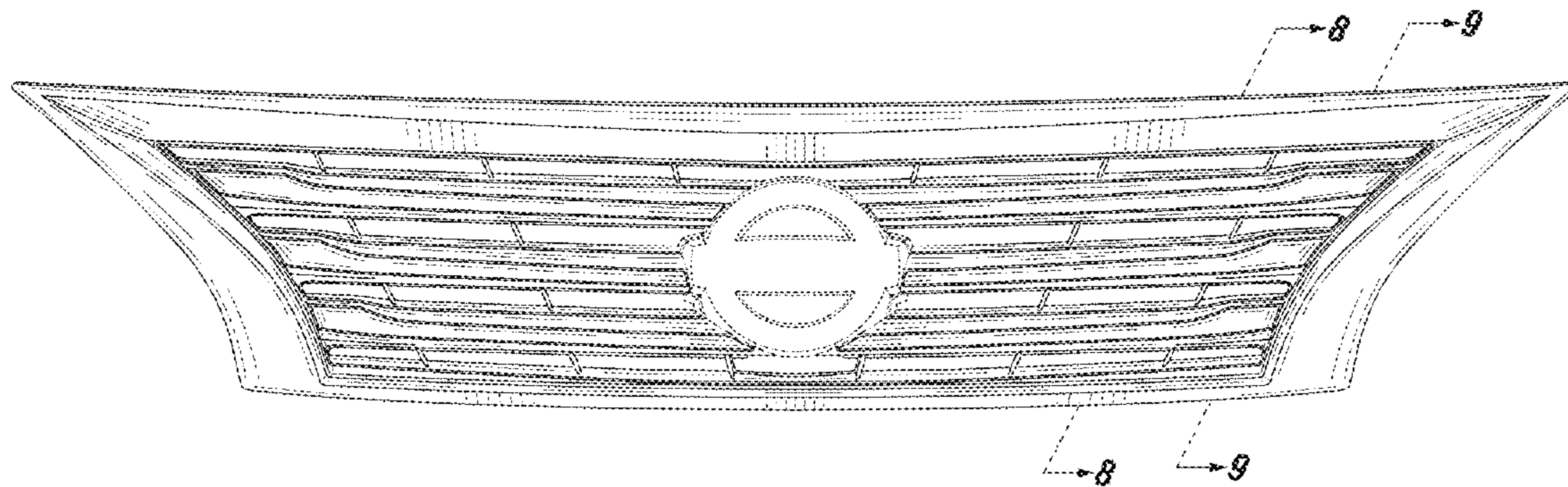
DESCRIPTION

FIG. 1 is a front elevational view of an automobile and/or replica thereof showing our new design; FIG. 2 is a rear elevational view thereof; FIG. 3 is a top plan view thereof; FIG. 4 is a bottom plan view thereof; FIG. 5 is a right side elevational thereof; FIG. 6 is a left side elevational view thereof; FIG. 7 is a front and right side perspective view thereof; FIG. 8 is a cross sectional view thereof taken along line 8-8 in FIG. 1; and, FIG. 9 is a cross sectional view thereof taken along line 9-9 in FIG. 1.

The broken line showing of the radiator grill is for purpose of illustrating environmental structure and forms no part of the claimed design.

The cross sectional views of FIGS. 8 and 9 are provided to clarify the exact contour or configuration of the exterior surface of the radiator grill, and no attempt is made to illustrate features of internal construction.

1 Claim, 7 Drawing Sheets



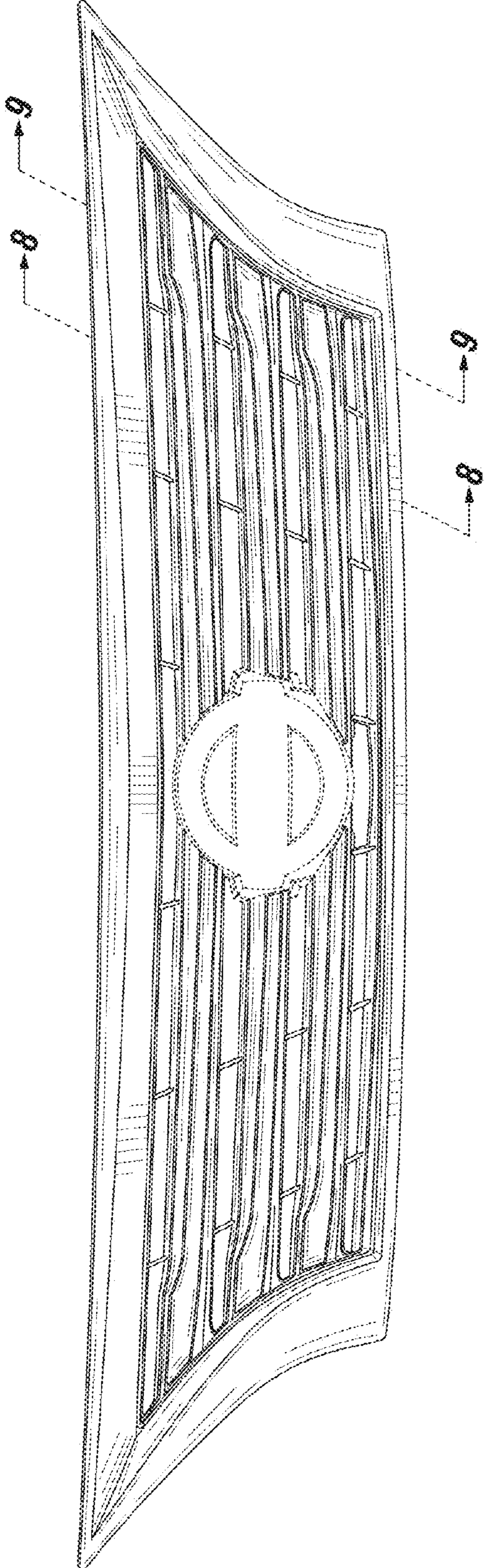


FIG. 1

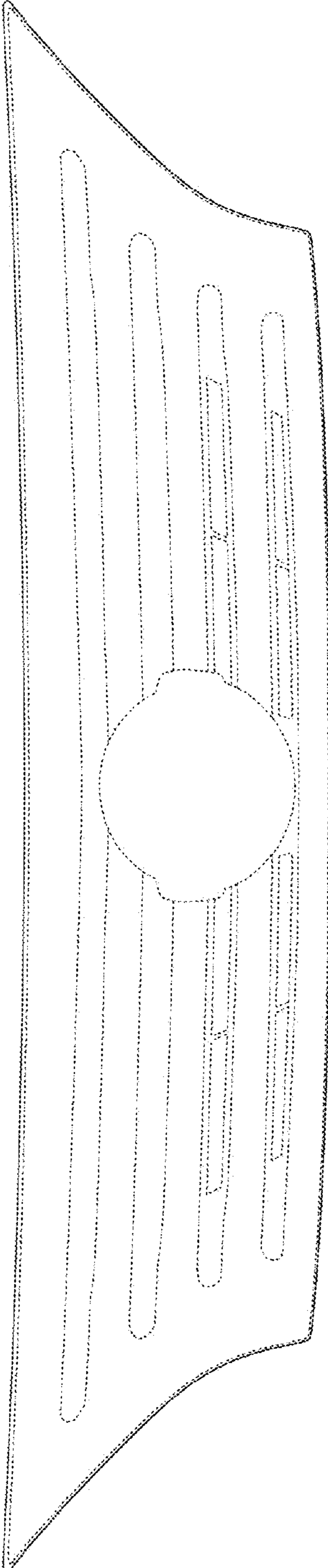


FIG. 2

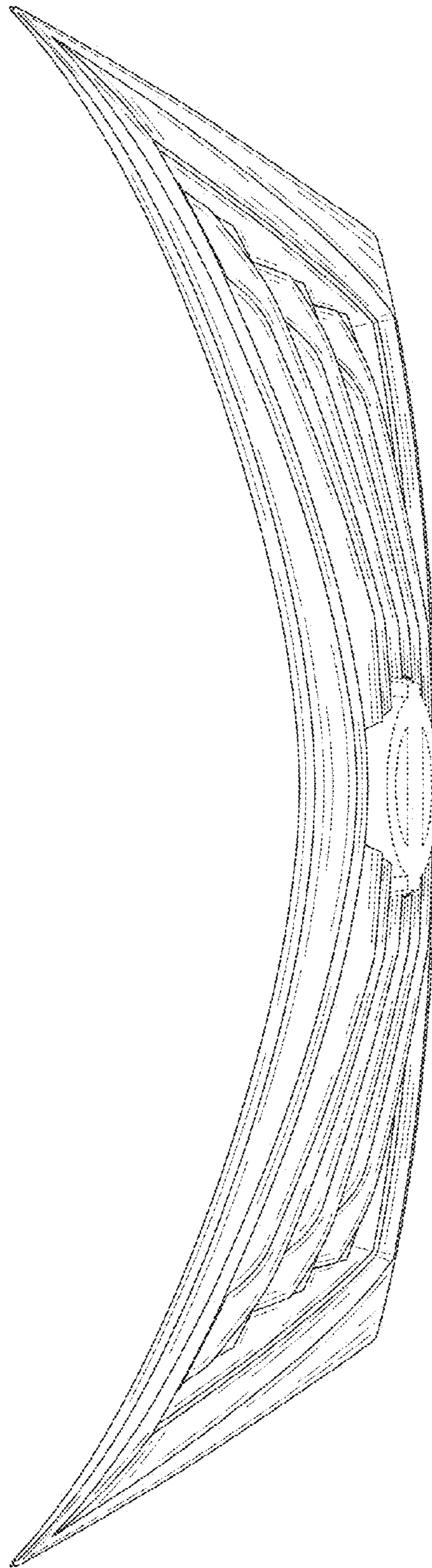


FIG. 3

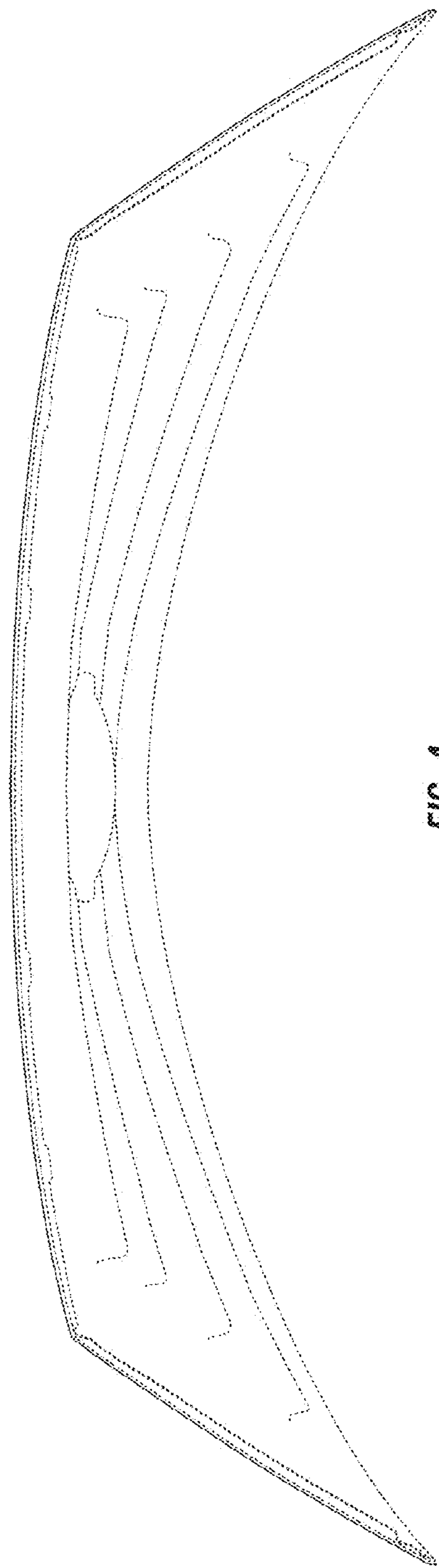


FIG. 4

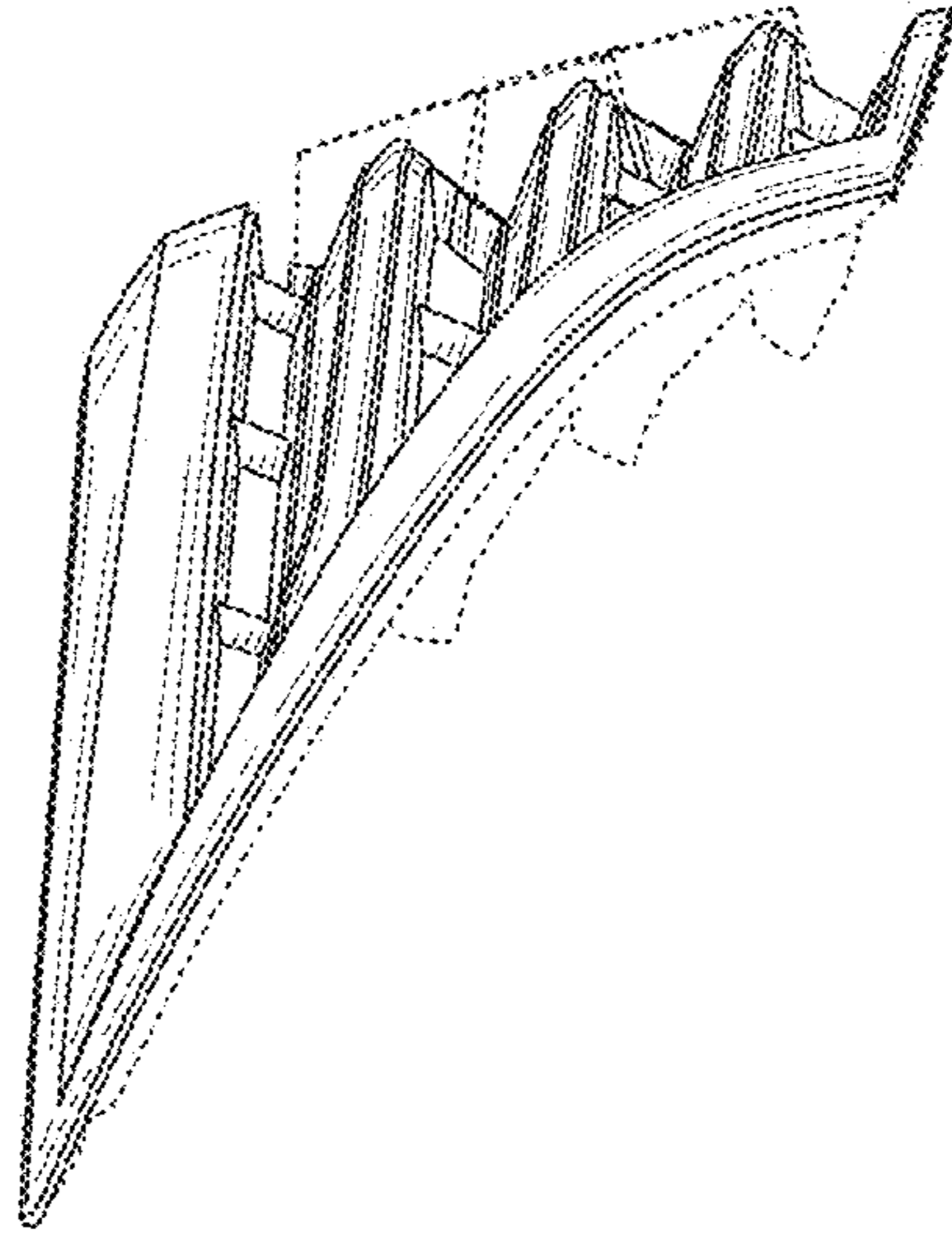


FIG. 6

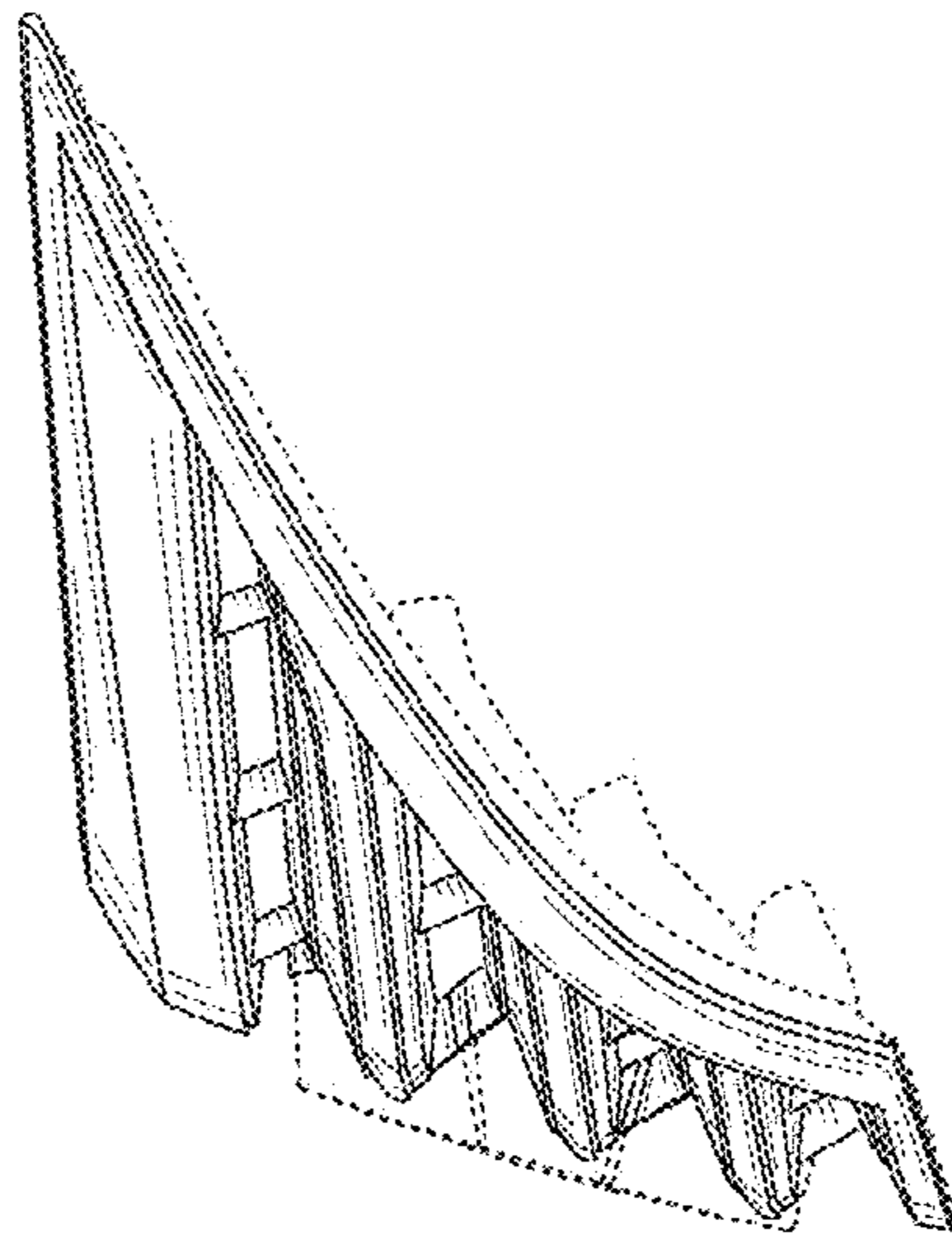


FIG. 5

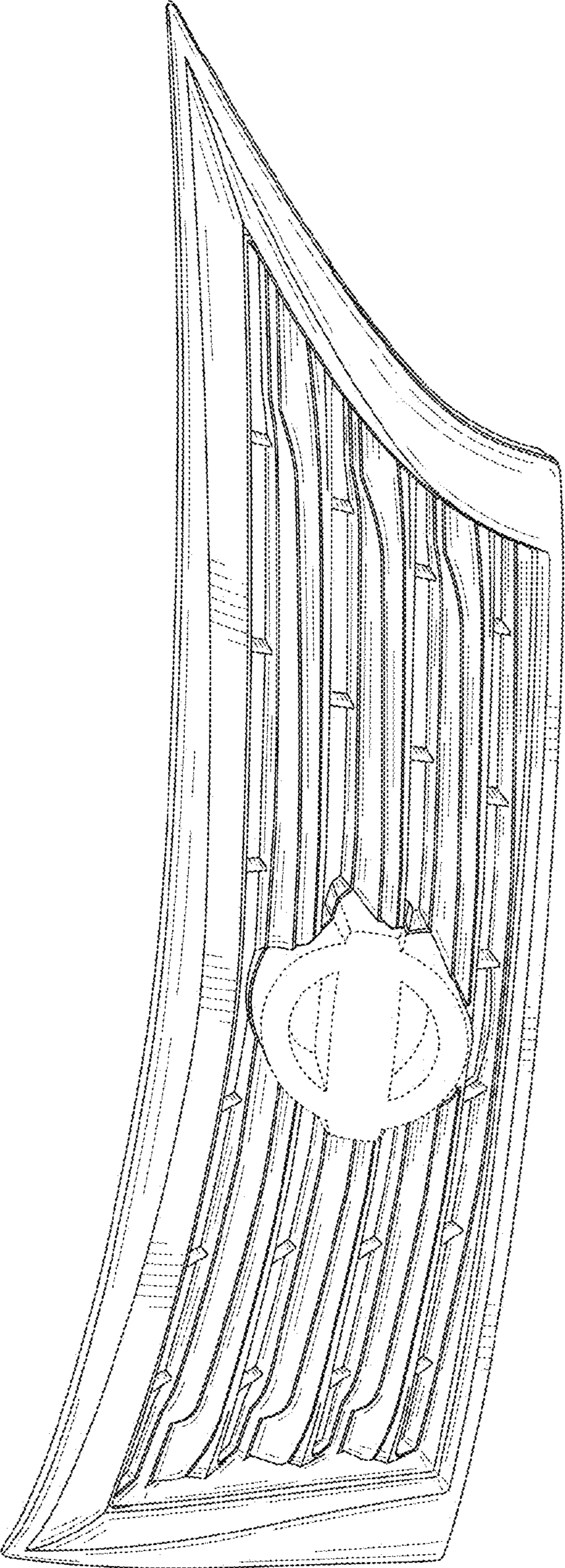


FIG. 7

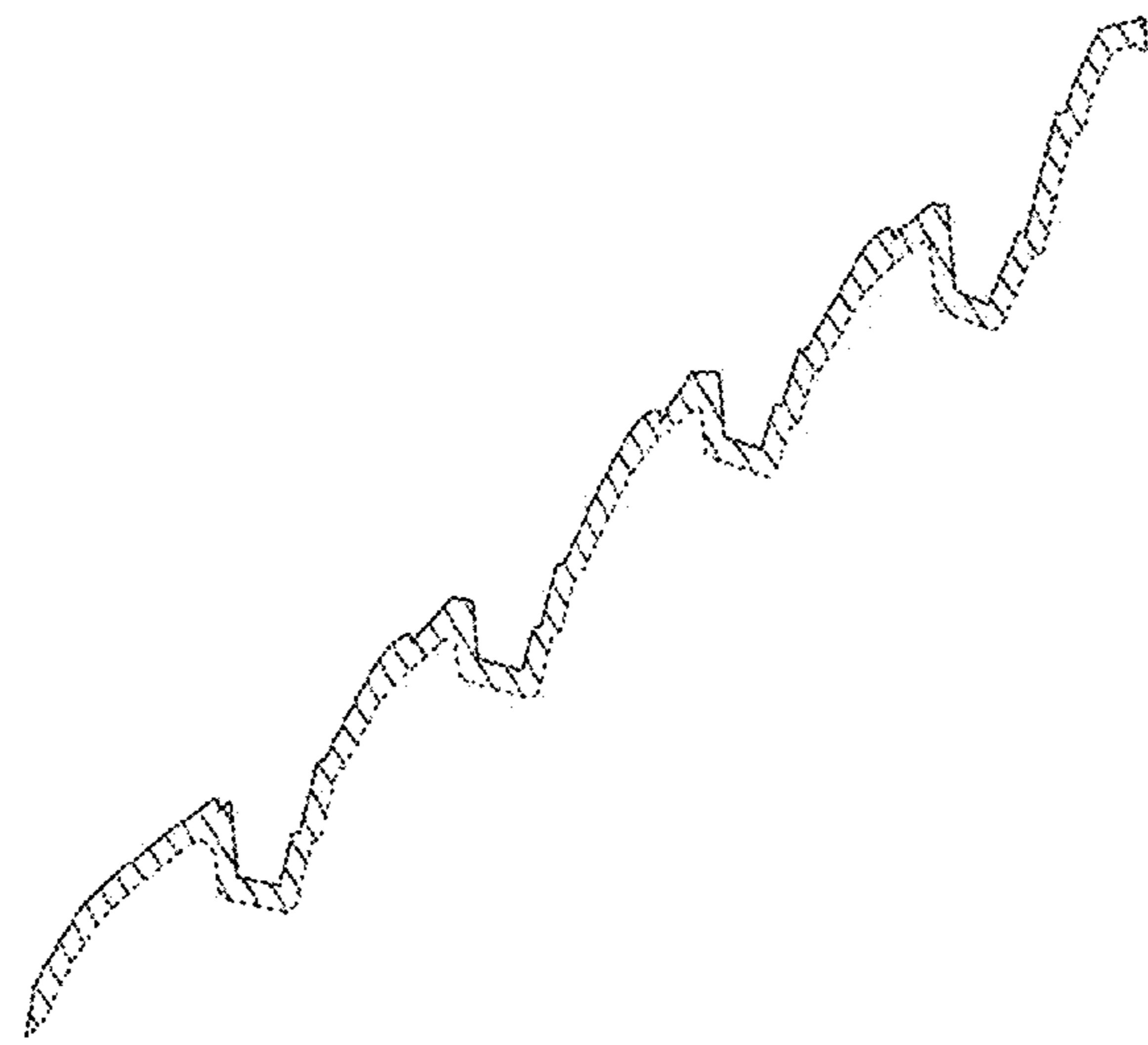


FIG. 9

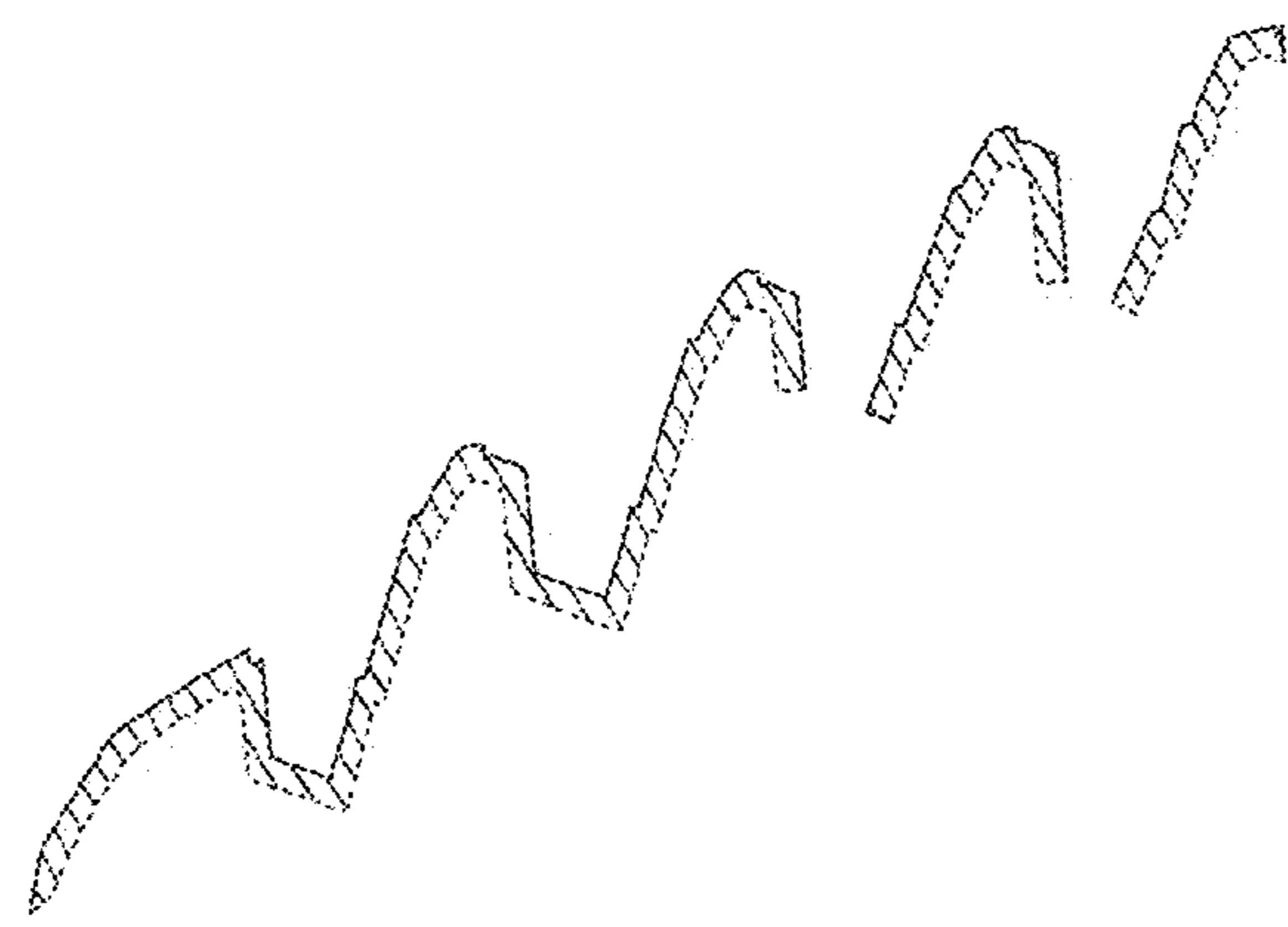


FIG. 8