



US00D698702S

(12) **United States Design Patent**
Kubanek et al.

(10) **Patent No.:** **US D698,702 S**
(45) **Date of Patent:** **** Feb. 4, 2014**

(54) **MOTORCYCLE**

FOREIGN PATENT DOCUMENTS

(75) Inventors: **Michal Kubanek**, Ostrava-Trebovice (CZ); **Stanislav Leffner**, Vrbno pod Pradedem (CZ)

DE 4201207 A1 7/1993
EP 2390171 A1 11/2011

(73) Assignee: **Fibres S.R.O.** (CZ)

(**) Term: **14 Years**

(21) Appl. No.: **29/419,496**

(22) Filed: **Apr. 27, 2012**

(30) **Foreign Application Priority Data**

Jan. 16, 2012 (EP) 001976366

(51) **LOC (10) Cl.** **12-11**

(52) **U.S. Cl.**
USPC **D12/110**

(58) **Field of Classification Search**
USPC D12/110, 111; 280/827, 828; 180/219,
180/220, 225, 206, 65.1; D21/432, 538;
446/440
See application file for complete search history.

(56) **References Cited**

U.S. PATENT DOCUMENTS

5,657,830	A	8/1997	Kawashima et al.	
6,054,818	A	4/2000	Tabata et al.	
6,155,369	A	12/2000	Whittaker	
D523,783	S *	6/2006	Sugimoto	D12/110
D526,936	S *	8/2006	Maruyama et al.	D12/110
D529,842	S *	10/2006	Lu	D12/111
D529,843	S *	10/2006	Pizzi	D12/111
D556,642	S *	12/2007	Lu	D12/111
D558,644	S *	1/2008	Blankenship	D12/111

OTHER PUBLICATIONS

EPO European Search Report for application EP12466003.6 mailed Jul. 10, 2012.

“Welcome to OSET Bikes USA,” OSET Bikes, 1 page, (2012). [Retrieved from the Internet Nov. 20, 2012: <URL: http://osetbikes.com/us/>].

* cited by examiner

Primary Examiner — Susan M Lee

Assistant Examiner — Linda Brooks

(74) *Attorney, Agent, or Firm* — Alston & Bird LLP

(57) **CLAIM**

I claim the ornamental design for a motorcycle, as shown and described.

DESCRIPTION

FIG. 1 is a perspective view of a motorcycle showing my new design;

FIG. 2 is a right side elevation view thereof;

FIG. 3 is a left side elevation view thereof;

FIG. 4 is a front elevation view thereof;

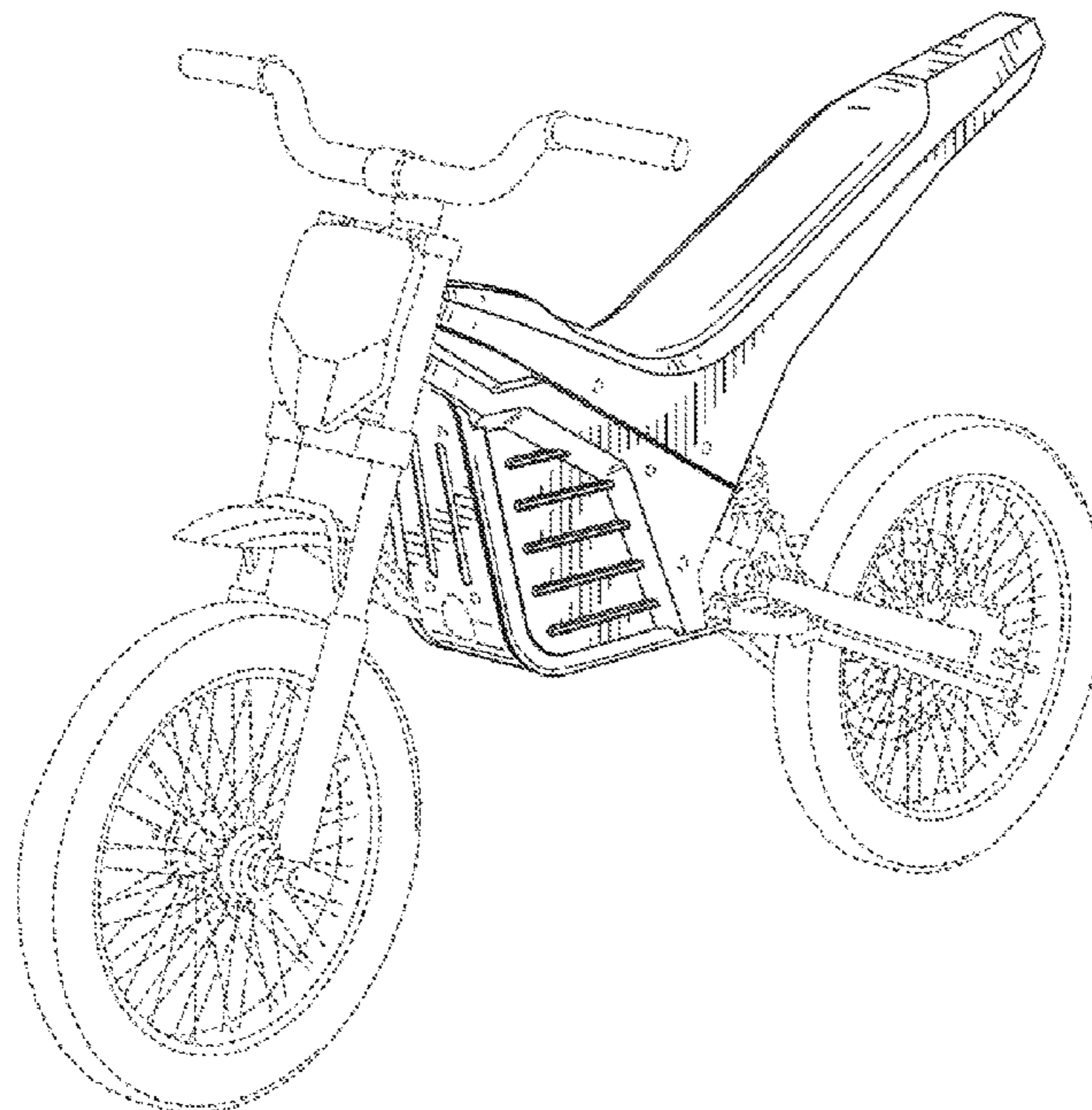
FIG. 5 is a rear elevation view thereof;

FIG. 6 is a top plan view thereof; and,

FIG. 7 is a bottom plan view thereof.

The broken lines immediately adjacent shaded areas represent bounds of the claimed design, while all other broken lines are directed to environment or unclaimed features. The broken lines form no part of the claimed design.

1 Claim, 7 Drawing Sheets



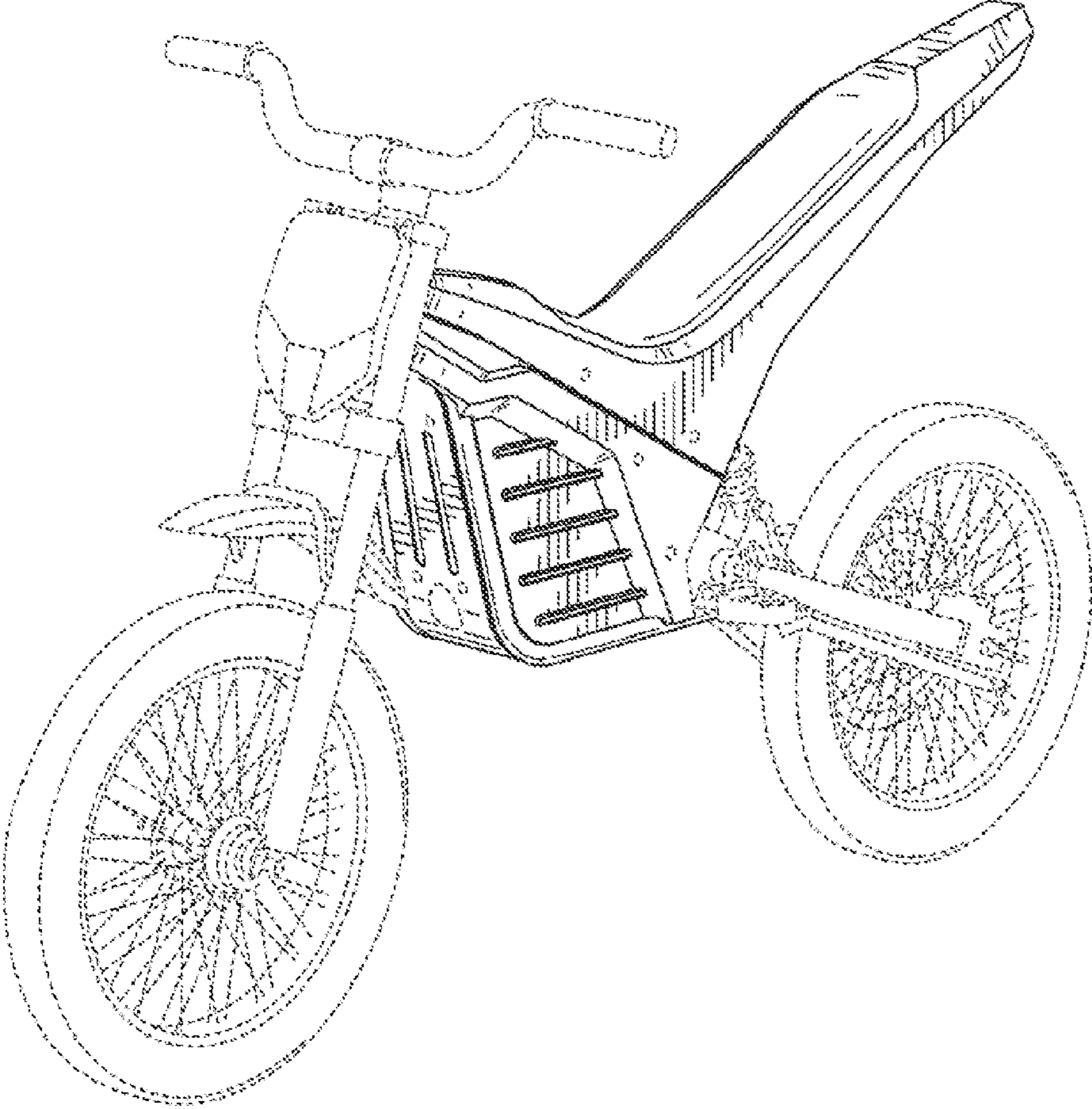


FIG. 1

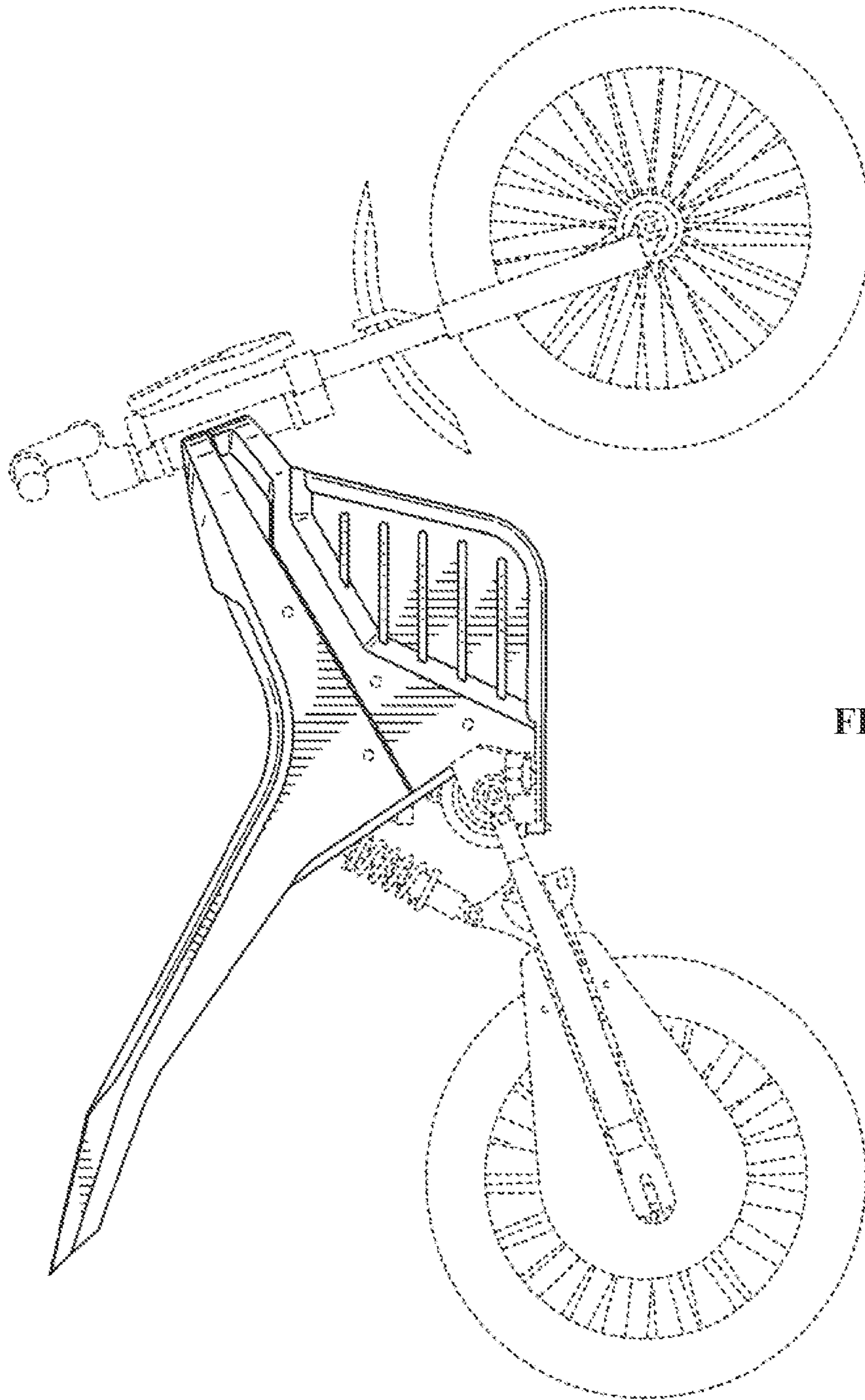


FIG. 2

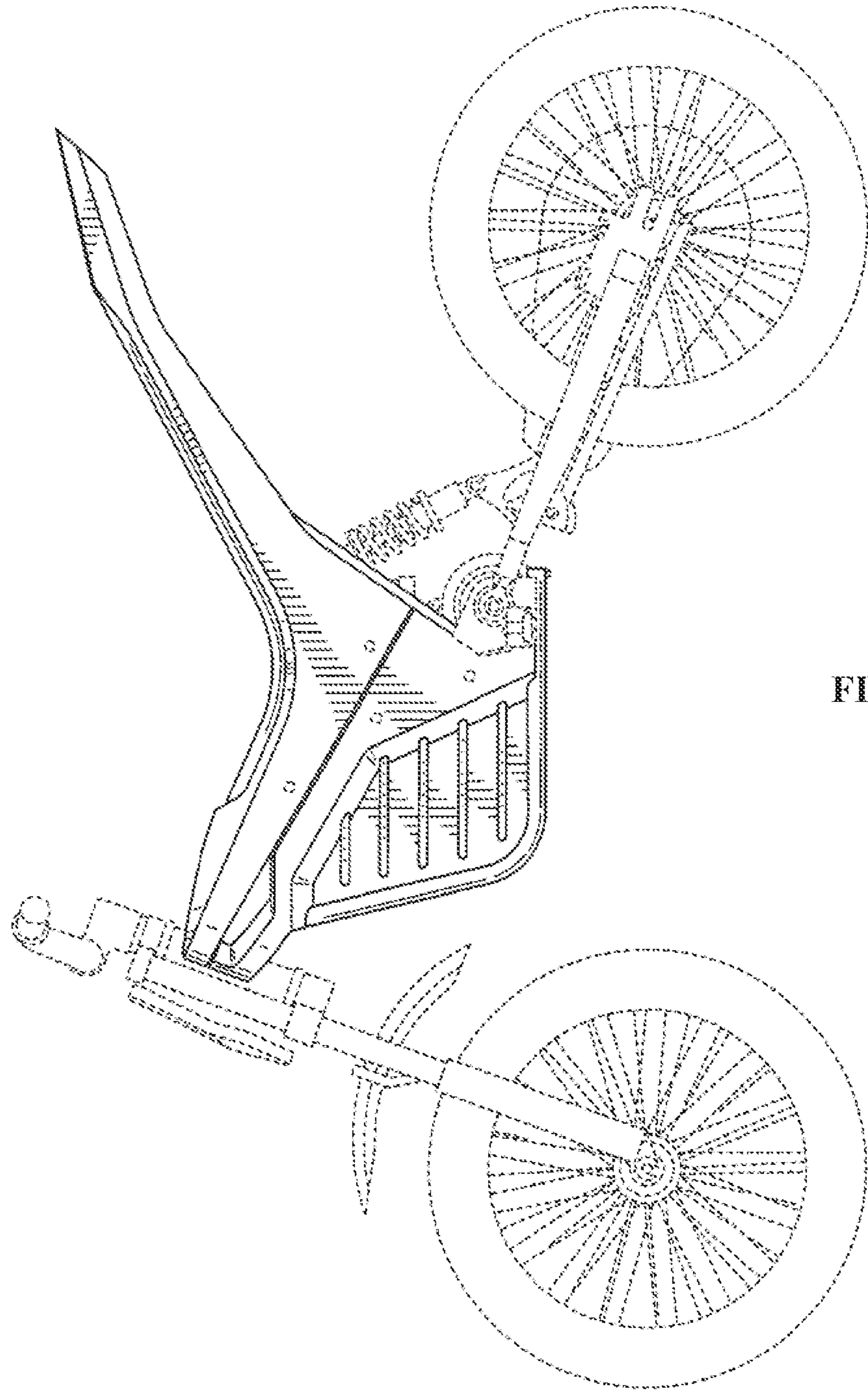


FIG. 3

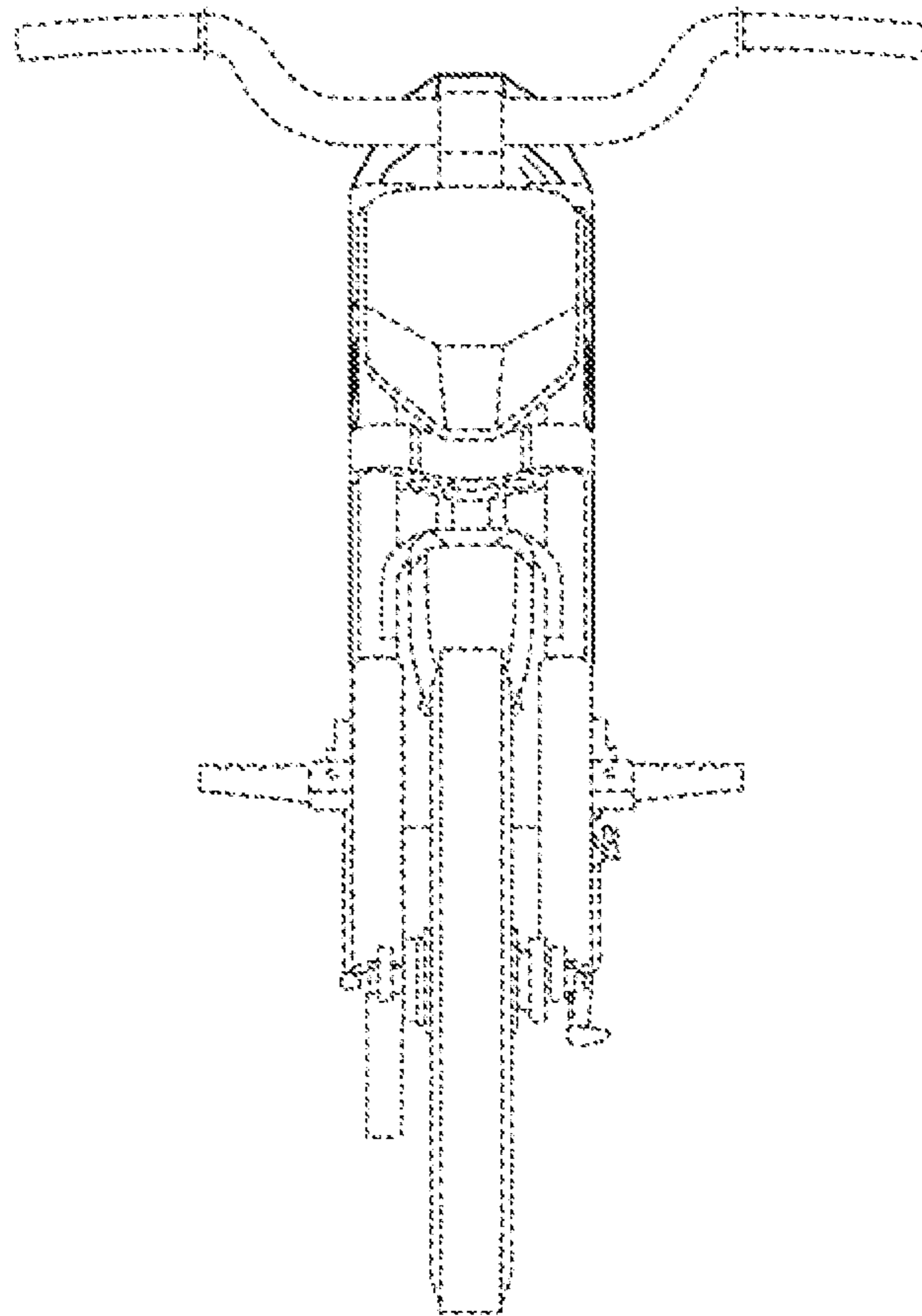


FIG. 4

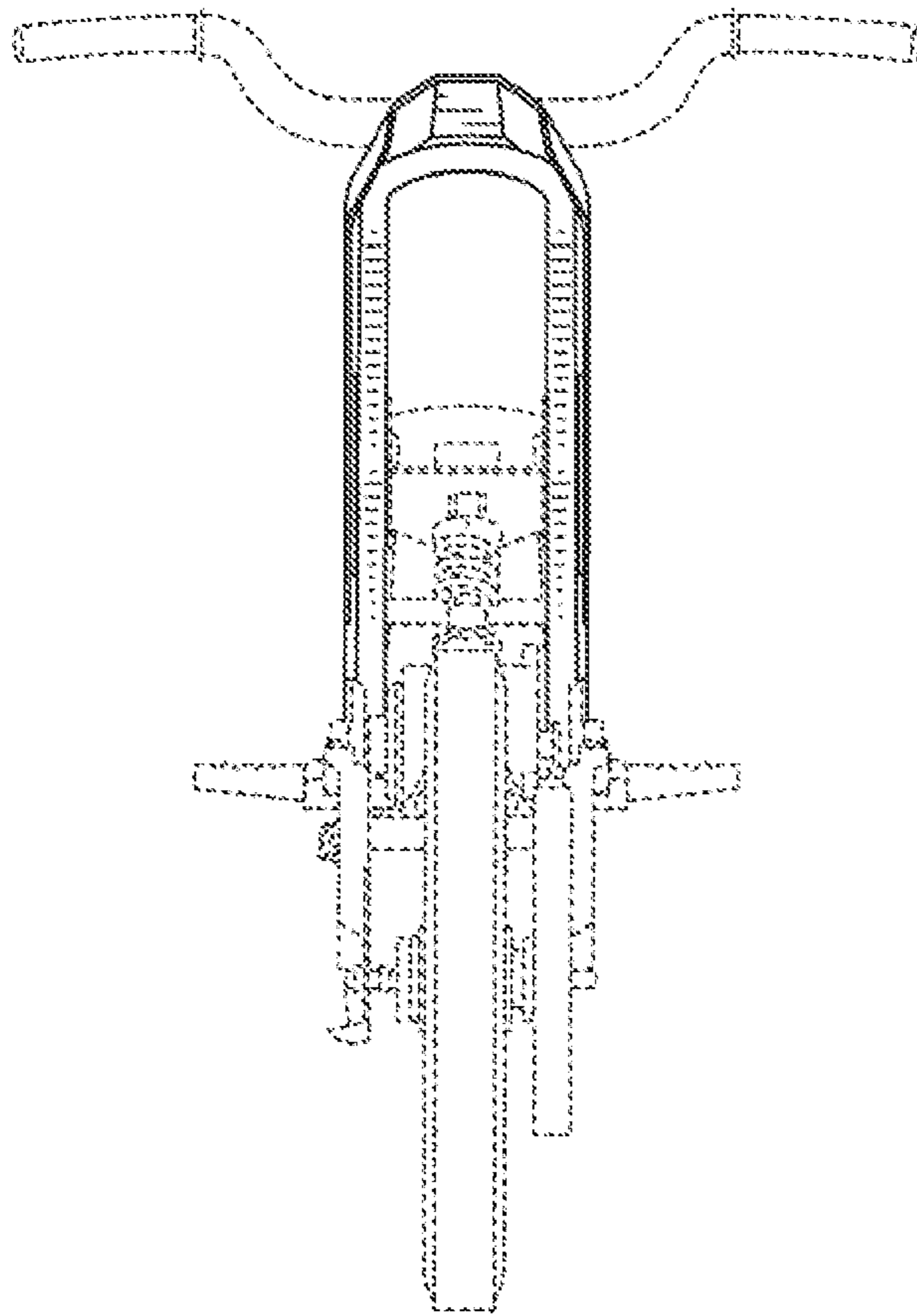


FIG. 5

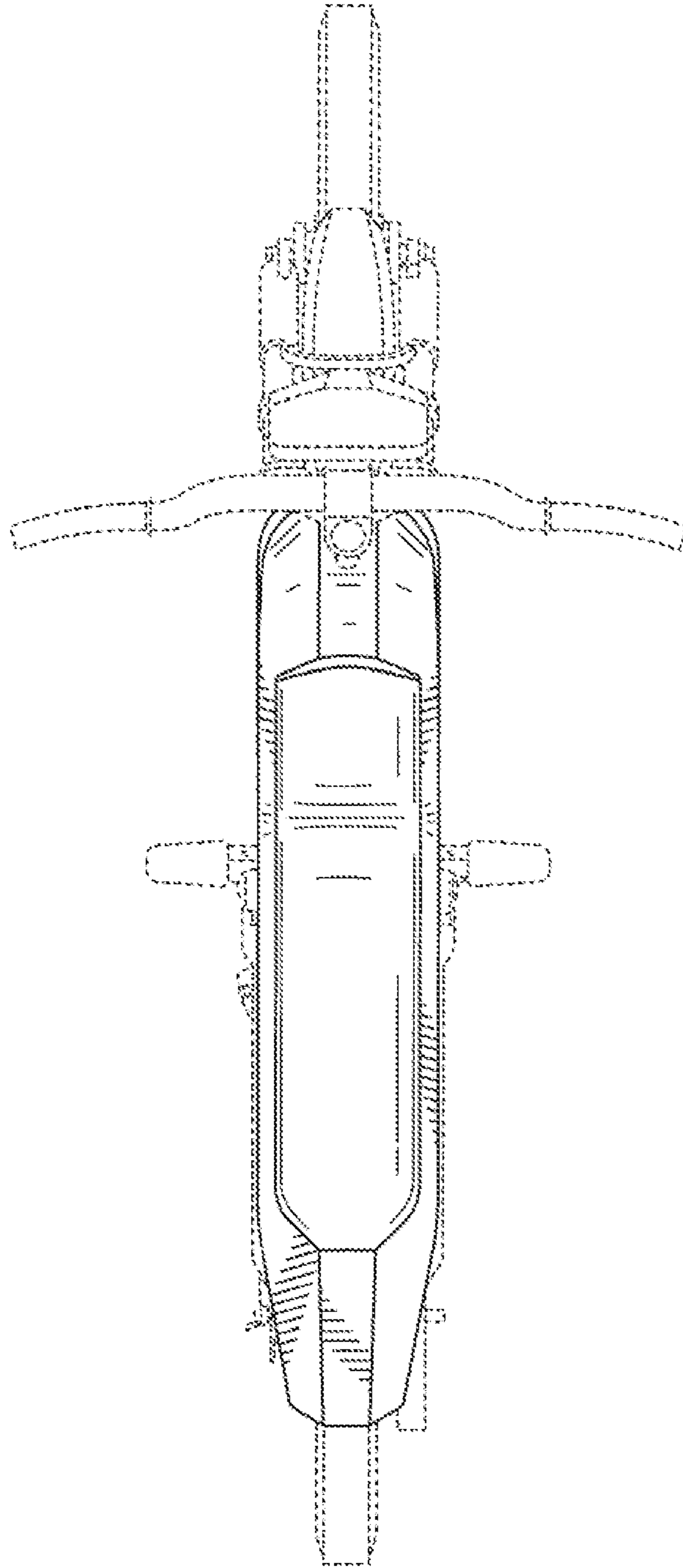


FIG. 6

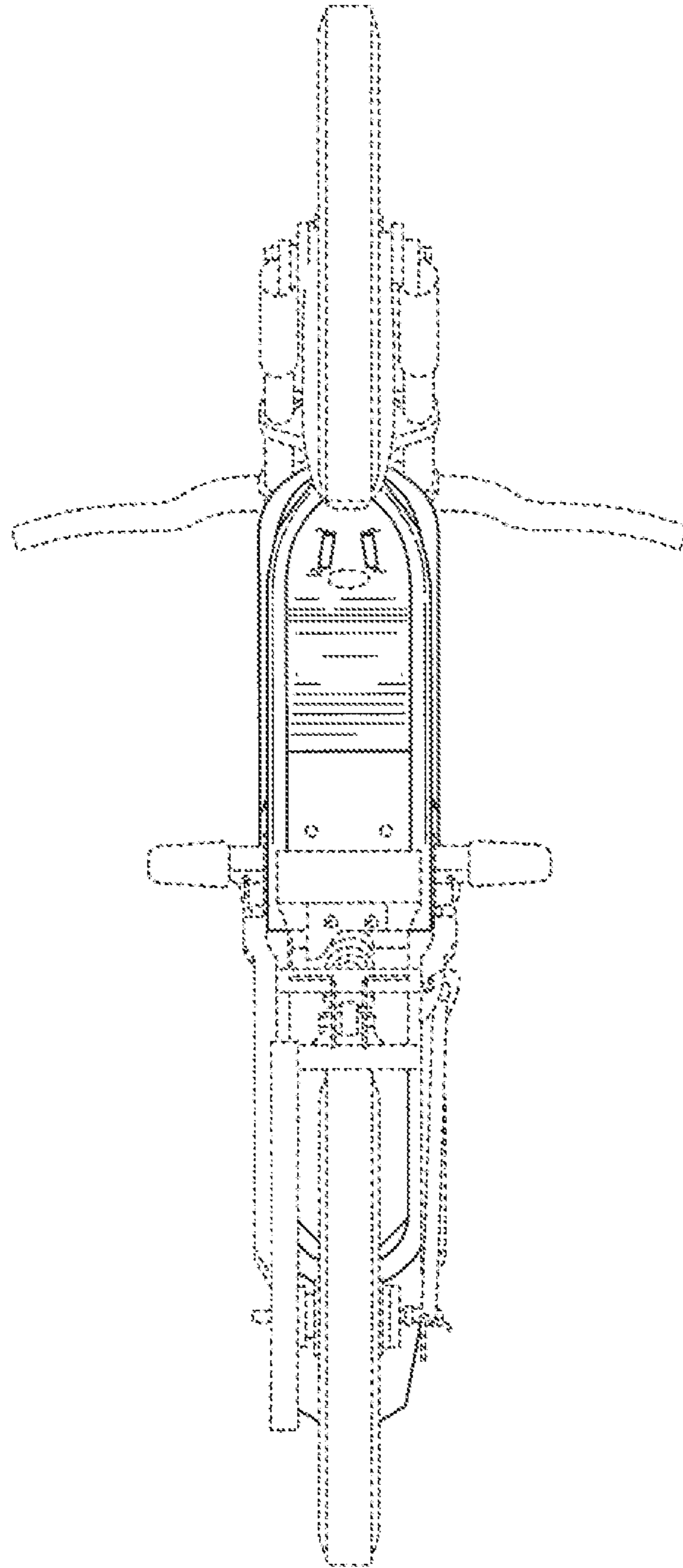


FIG. 7

UNITED STATES PATENT AND TRADEMARK OFFICE
CERTIFICATE OF CORRECTION

PATENT NO. : D698,702 S
APPLICATION NO. : 29/419496
DATED : February 4, 2014
INVENTOR(S) : Michal Kubanek et al.

Page 1 of 1

It is certified that error appears in the above-identified patent and that said Letters Patent is hereby corrected as shown below:

Title page,

“(30) **Foreign Application Priority Data**

Jan 16, 2012 (EP)..... 001976366”

should read

--(30) **Foreign Application Priority Data**

Jan 16, 2012 (EM)..... 001976366--

Signed and Sealed this
Twenty-seventh Day of May, 2014



Michelle K. Lee
Deputy Director of the United States Patent and Trademark Office