



US00D698699S

(12) **United States Design Patent**
Dempsey et al.

(10) **Patent No.:** **US D698,699 S**

(45) **Date of Patent:** **** Feb. 4, 2014**

(54) **SPORT TRAILER WITH SIDE PANELS**

(71) Applicants: **Thomas M Dempsey**, Cedar Mountain, NC (US); **Gregory K Mundt**, Duluth, GA (US); **Thomas W Reeder**, Fletcher, NC (US)

(72) Inventors: **Thomas M Dempsey**, Cedar Mountain, NC (US); **Gregory K Mundt**, Duluth, GA (US); **Thomas W Reeder**, Fletcher, NC (US)

(73) Assignee: **Sylvansport, LLC**, Brevard, NC (US)

(**) Term: **14 Years**

(21) Appl. No.: **29/460,239**

(22) Filed: **Jul. 9, 2013**

(51) **LOC (10) Cl.** **12-10**

(52) **U.S. Cl.**
USPC **D12/101**

(58) **Field of Classification Search**
USPC D12/100-106, 19, 129, 111-112;
D21/425, 435; D34/21-26, 12, 16-19;
280/204, 205, 63, 475, 482, 647;
296/168, 180, 180.2, 61, 10,
296/100.01-100.08

See application file for complete search history.

(56) **References Cited**

U.S. PATENT DOCUMENTS

D206,752 S * 1/1967 Moll D12/101
D266,836 S * 11/1982 Ingram D12/414

D326,629 S 6/1992 Holler
D464,916 S 10/2002 Golenz
D522,409 S * 6/2006 Wittkowski D12/101
D566,623 S 4/2008 Dempsey
D566,624 S 4/2008 Dempsey
D566,625 S 4/2008 Dempsey
D574,755 S * 8/2008 Thurm D12/101
7,789,452 B2 9/2010 Dempsey
7,810,866 B2 10/2010 Dempsey
D661,225 S * 6/2012 Lovett D12/15
D667,757 S * 9/2012 Cooper D12/101
8,439,426 B2 5/2013 Dempsey

* cited by examiner

Primary Examiner — Katrina A Betton

(74) *Attorney, Agent, or Firm* — Metz Lewis Brodman Must O’Keefe LLC; Neal P Pierotti

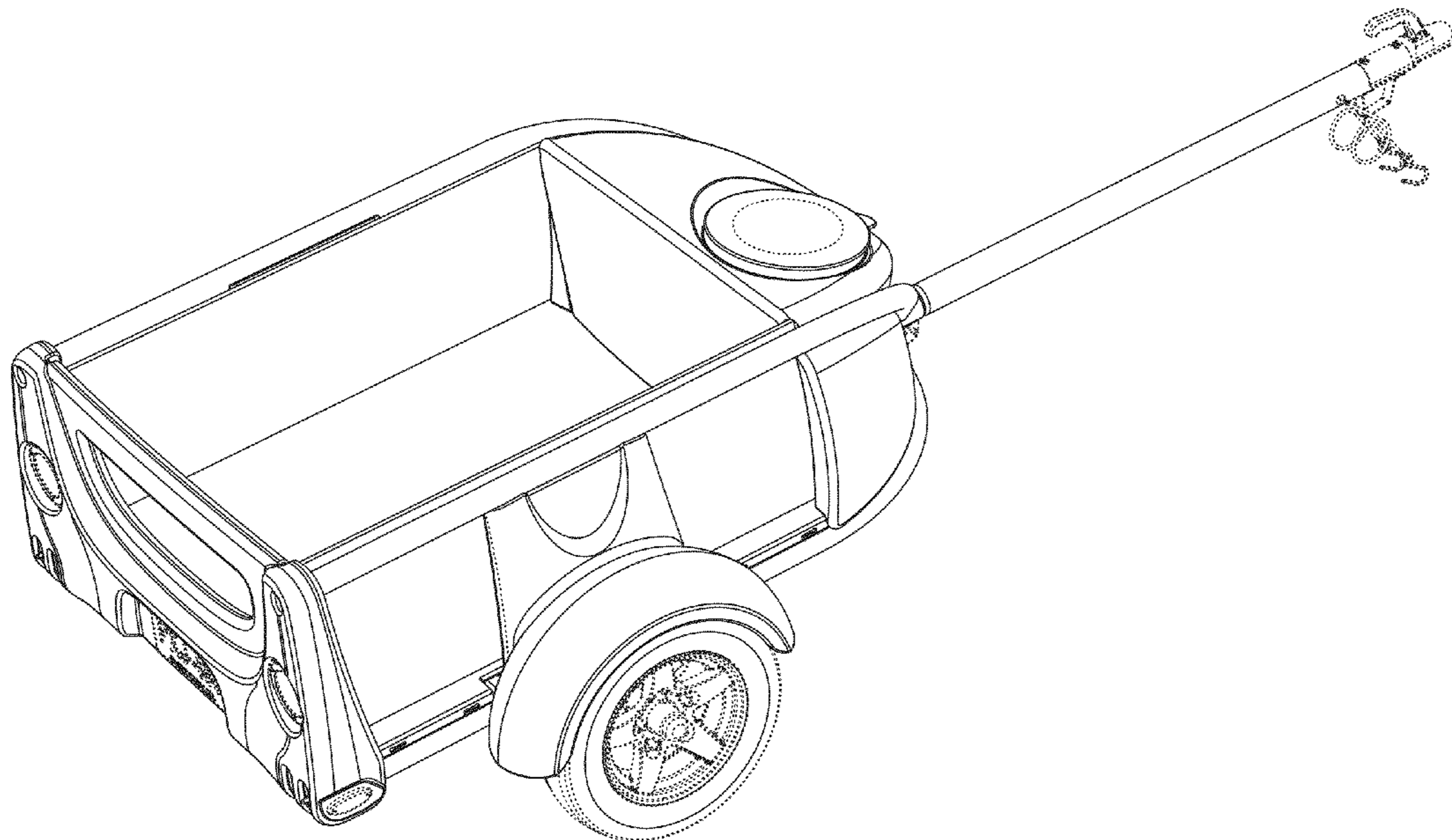
(57) **CLAIM**

The ornamental design of a sport trailer with side panels, as shown and described.

DESCRIPTION

FIG. 1 is a front perspective view of the sport trailer; FIG. 2 is a back perspective view of the sport trailer; FIG. 3 is a front elevation view of the sport trailer; FIG. 4 is a back elevation view of the sport trailer; FIG. 5 is a right side elevation view of the sport trailer; FIG. 6 is a left side elevation view of the sport trailer; FIG. 7 is a top plan view of the sport trailer; and, FIG. 8 is a bottom plan view of the sport trailer. The broken lines in FIGS. 1-8 setting forth additional portions of the sport trailer are for illustrative purposes only and form no part of the claimed design.

1 Claim, 6 Drawing Sheets



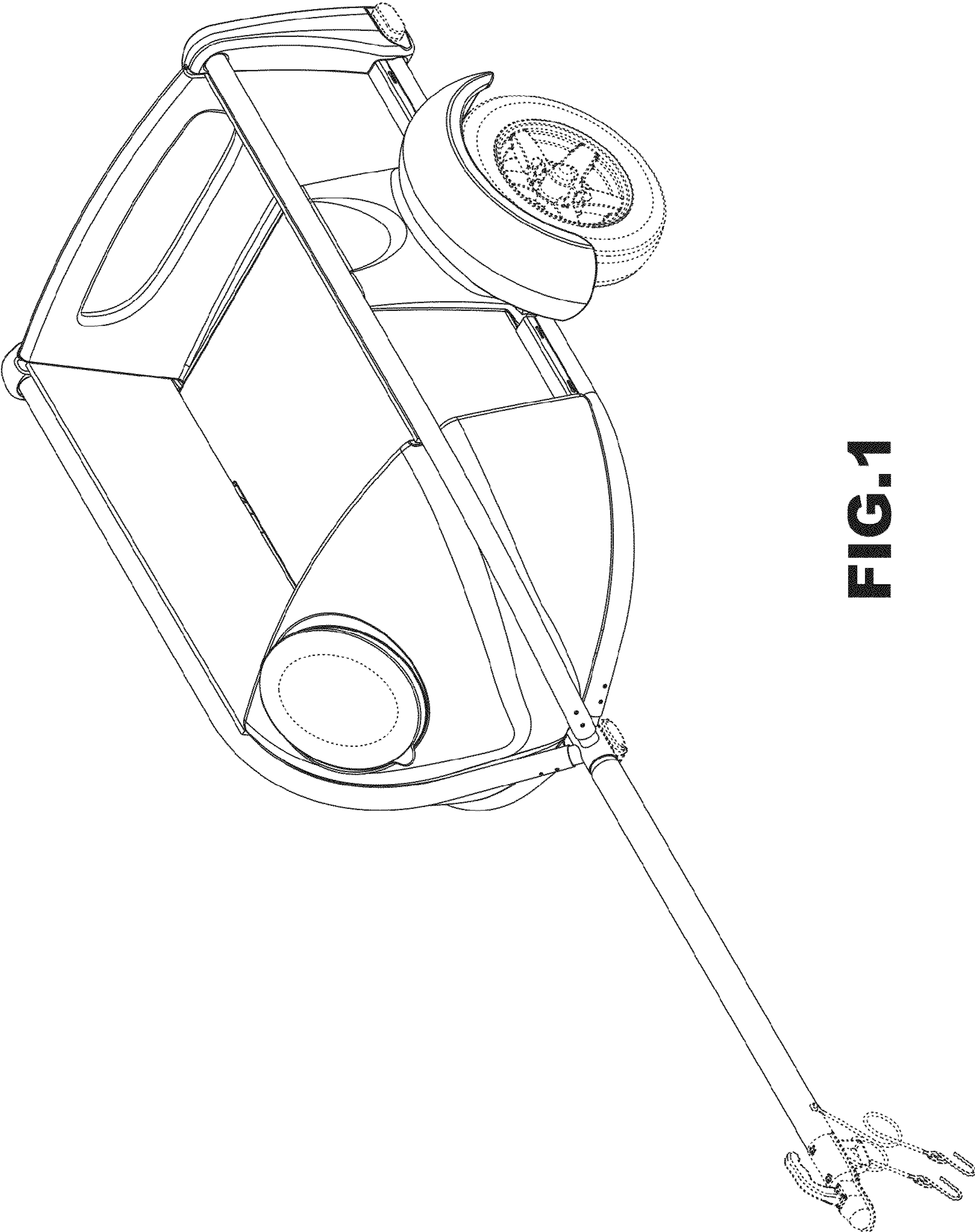


FIG. 1

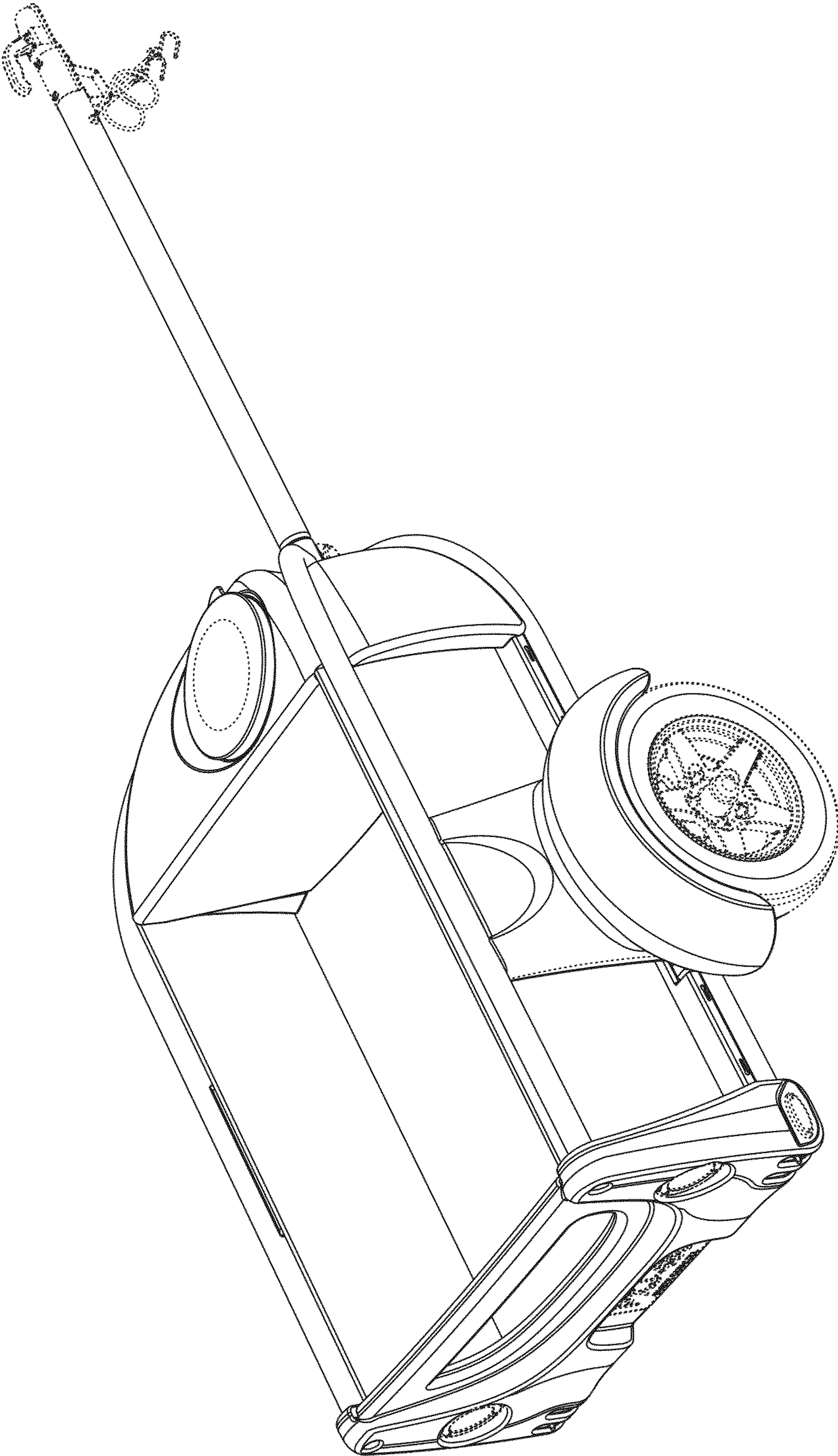


FIG.2

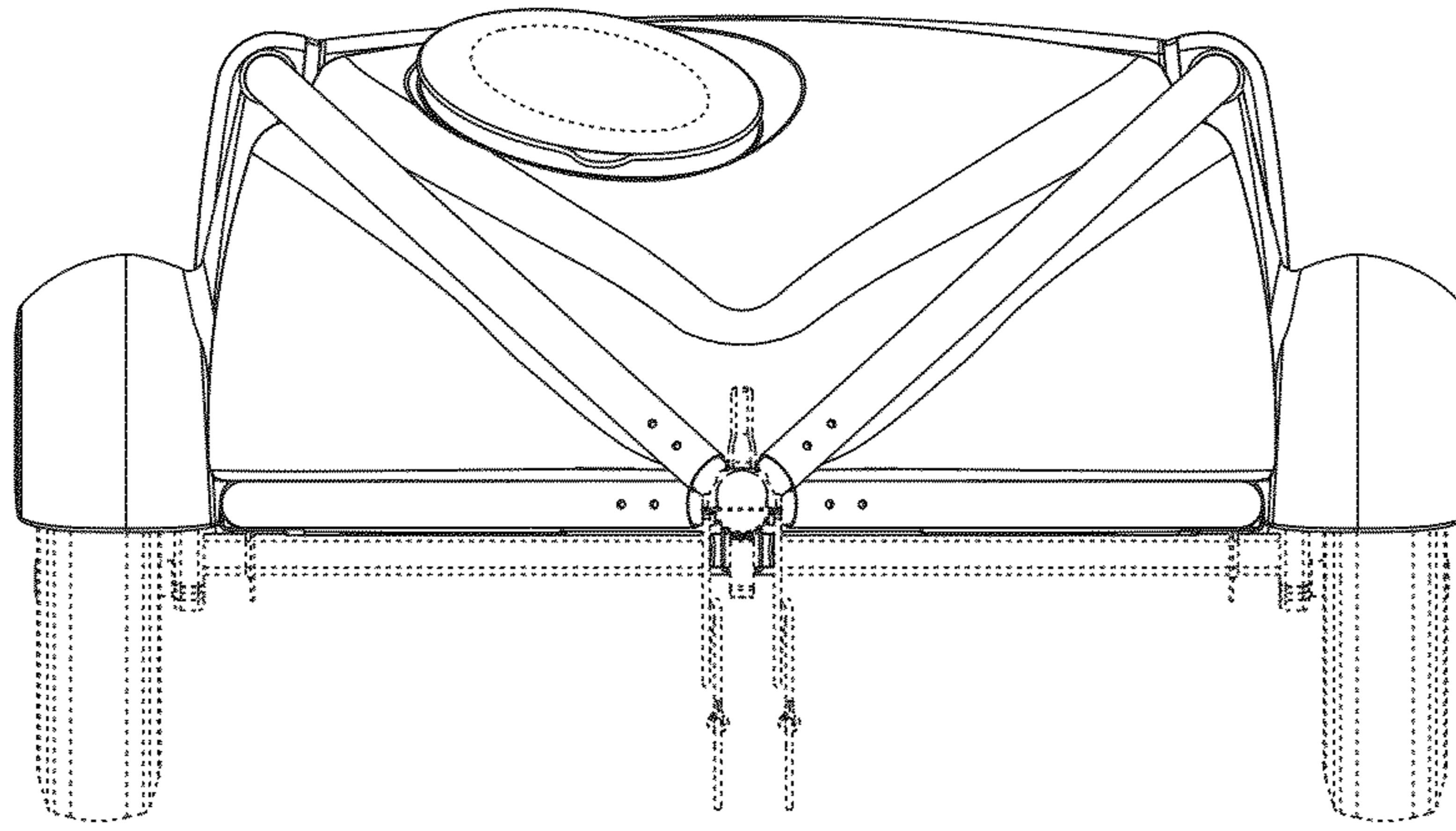


FIG.3

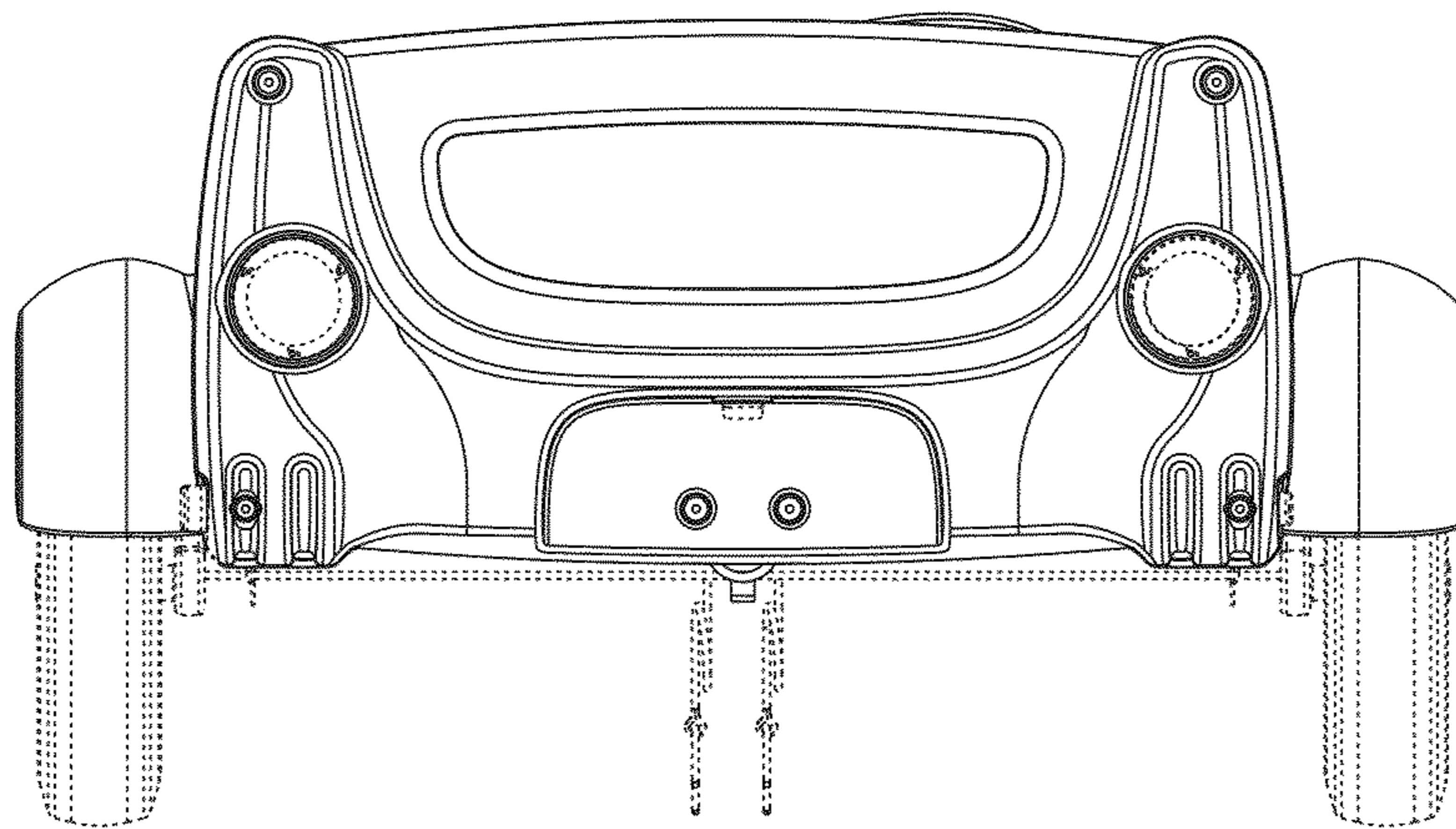


FIG.4

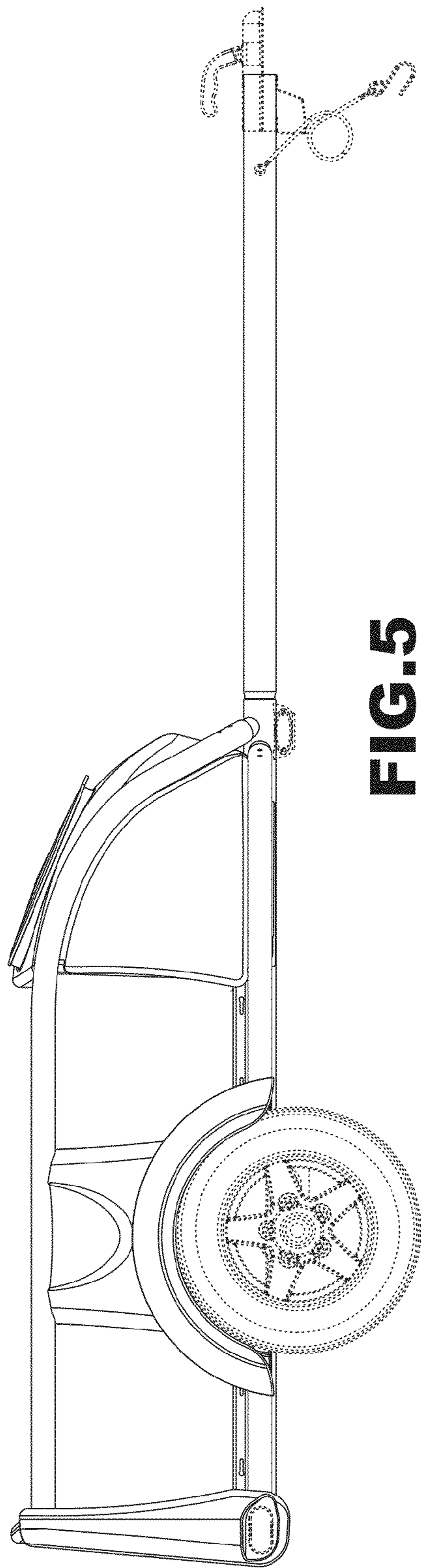


FIG. 5

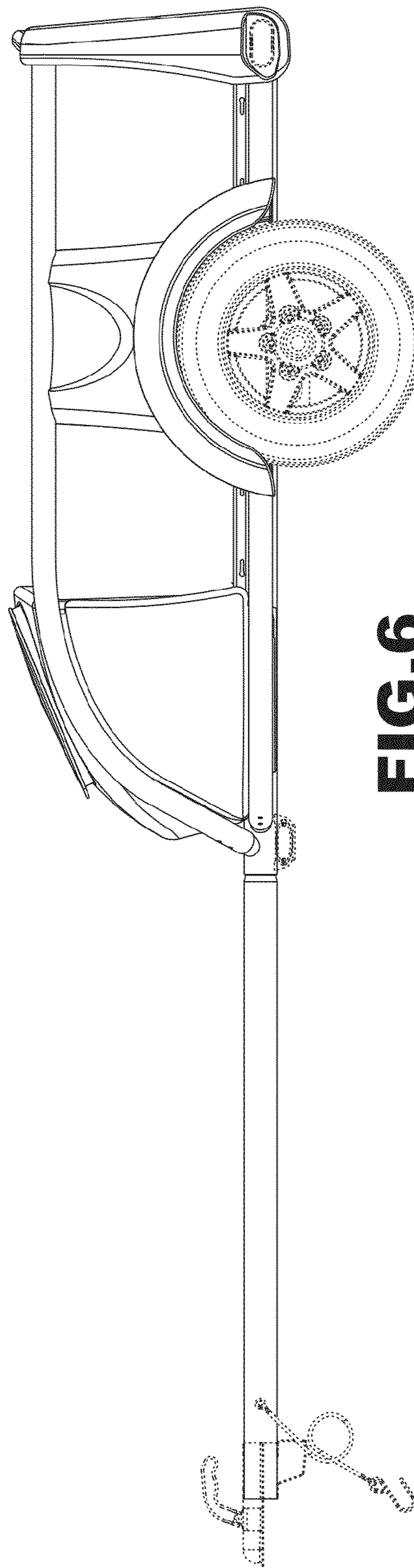


FIG. 6

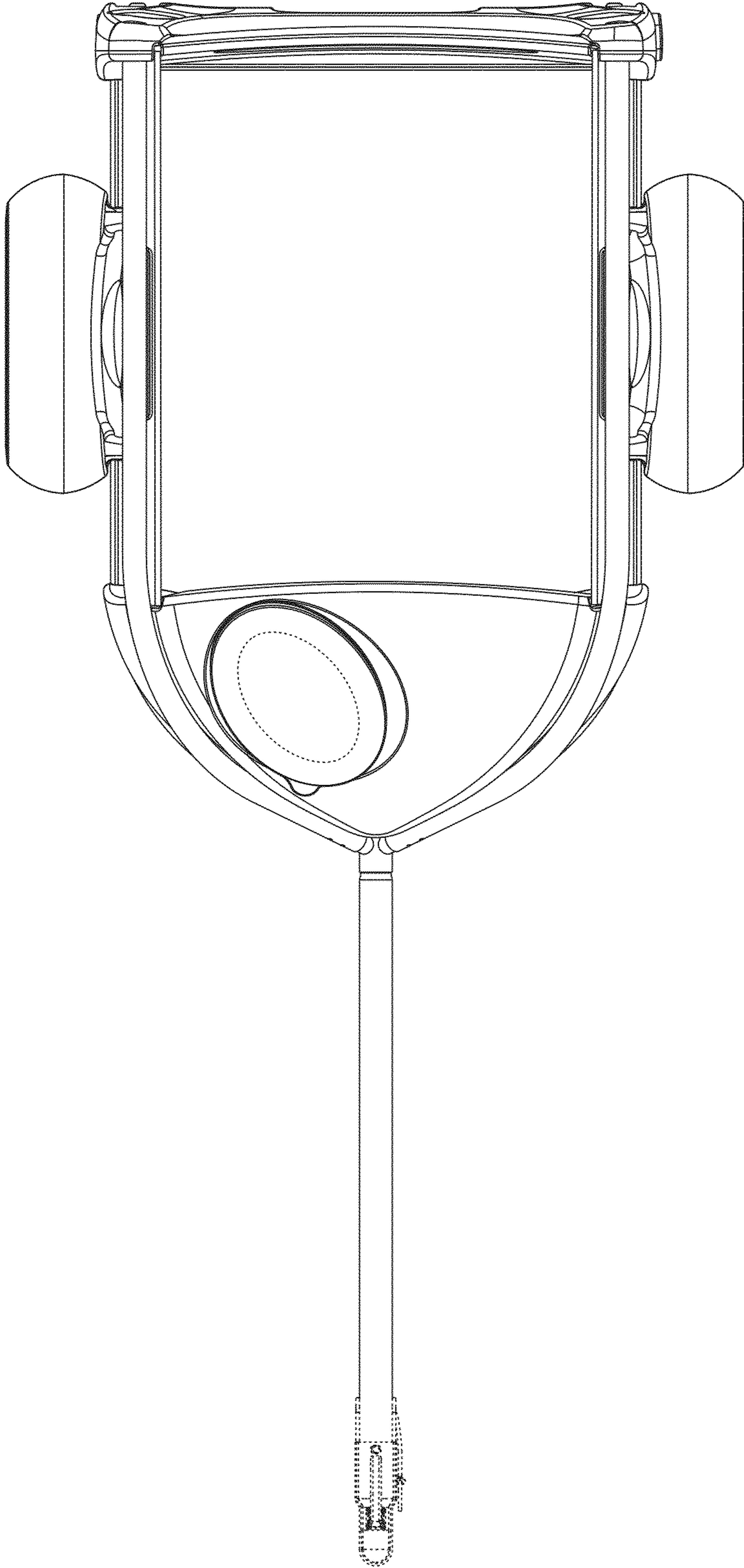


FIG. 7

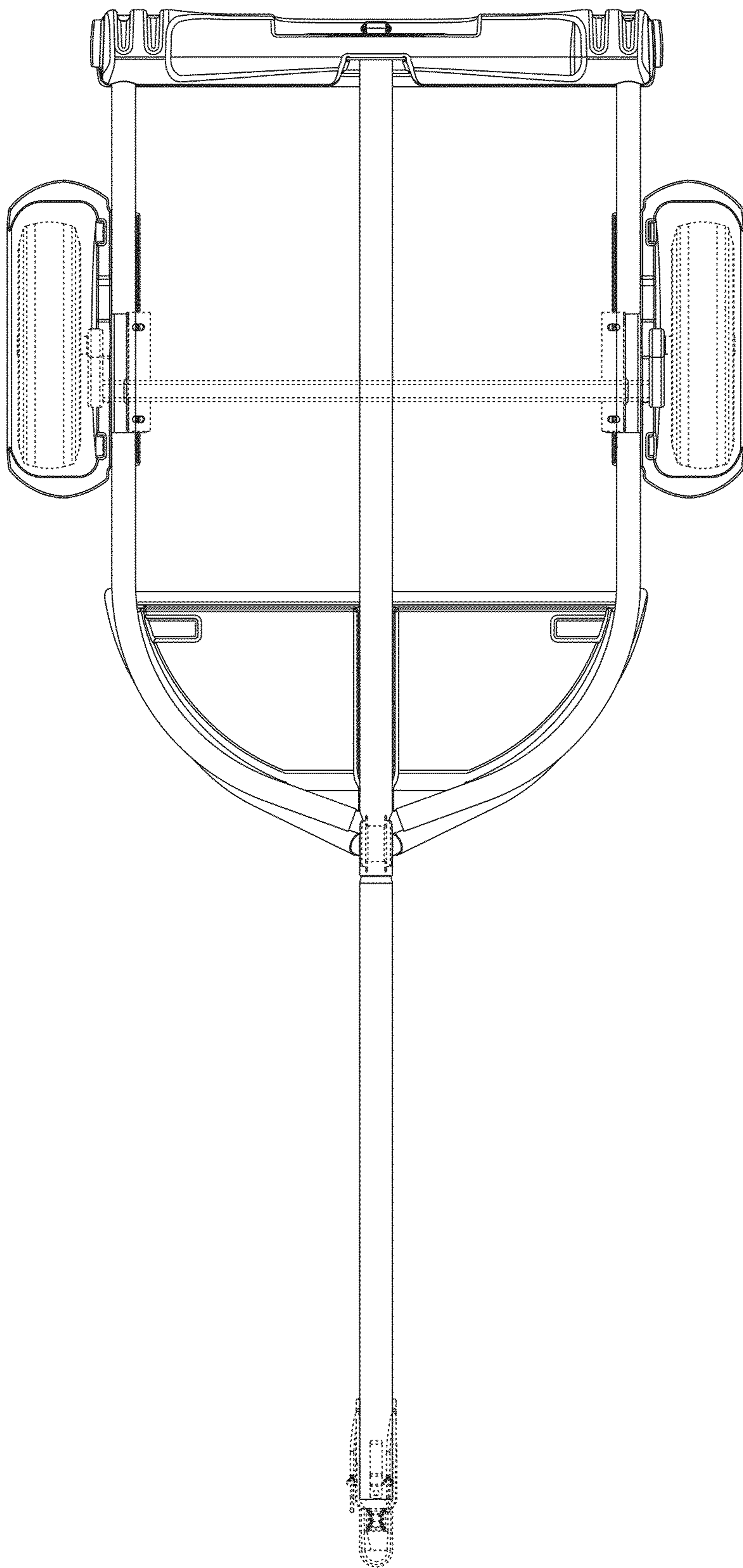


FIG. 8