

US00D698697S

(12) **United States Design Patent**
Winkelmann et al.

(10) **Patent No.:** **US D698,697 S**
(45) **Date of Patent:** **** Feb. 4, 2014**

(54) **MOTOR VEHICLE, TOY REPLICA AND/OR OTHER REPLICAS**

(75) Inventors: **Christian Winkelmann**, Munich (DE);
Rosalie Schrader, Ingolstadt (DE);
Christian Brendel, Eichstaett (DE)

(73) Assignee: **Audi AG**, Ingolstadt (DE)

(**) Term: **14 Years**

(21) Appl. No.: **29/415,341**

(22) Filed: **Mar. 9, 2012**

(30) **Foreign Application Priority Data**

Sep. 9, 2011 (EM) 001914763-0001

(51) **LOC (10) Cl.** **12-08**

(52) **U.S. Cl.**
USPC **D12/91**

(58) **Field of Classification Search**
USPC D12/86, 88, 90, 91, 92; D21/424, 433,
D21/434; 296/181.1, 181.5
See application file for complete search history.

(56) **References Cited**

U.S. PATENT DOCUMENTS

D526,935 S * 8/2006 Wagner et al. D12/91
D605,978 S * 12/2009 Wolff et al. D12/91
D619,502 S * 7/2010 Cha D12/91
D620,394 S * 7/2010 Bischoff et al. D12/91
D622,185 S * 8/2010 Uchiyama et al. D12/91
D622,632 S * 8/2010 Borkert D12/91

D627,262 S * 11/2010 Ikeda et al. D12/91
D630,131 S * 1/2011 Dyson D12/91
D630,553 S * 1/2011 Muller D12/91
D630,554 S * 1/2011 Kim D12/91
D633,009 S * 2/2011 Matei et al. D12/91
D633,823 S * 3/2011 Matei et al. D12/91
D637,109 S * 5/2011 Muller D12/91

* cited by examiner

Primary Examiner — Philip S Hyder

Assistant Examiner — Darlington Ly

(74) *Attorney, Agent, or Firm* — Abelman, Frayne & Schwab

(57) **CLAIM**

The ornamental design for a motor vehicle, toy replica and/or other replicas, as shown and described.

DESCRIPTION

FIG. 1 is a front and left side perspective view of the motor vehicle, toy replica and/or other replicas showing our new design;

FIG. 2 is a left side elevational view of FIG. 1;

FIG. 3 is a right side elevational view of FIG. 1;

FIG. 4 is a top plan view of FIG. 1;

FIG. 5 is a rear elevational view of FIG. 1; and,

FIG. 6 is a front elevational view of FIG. 1.

The uniform broken lines shown in the drawings illustrate portions of the motor vehicle, toy replica and/or other replicas that form no part of the claimed design. The dash-dot broken lines illustrate boundaries between claimed and unclaimed surfaces and form no part of the claimed design.

1 Claim, 6 Drawing Sheets

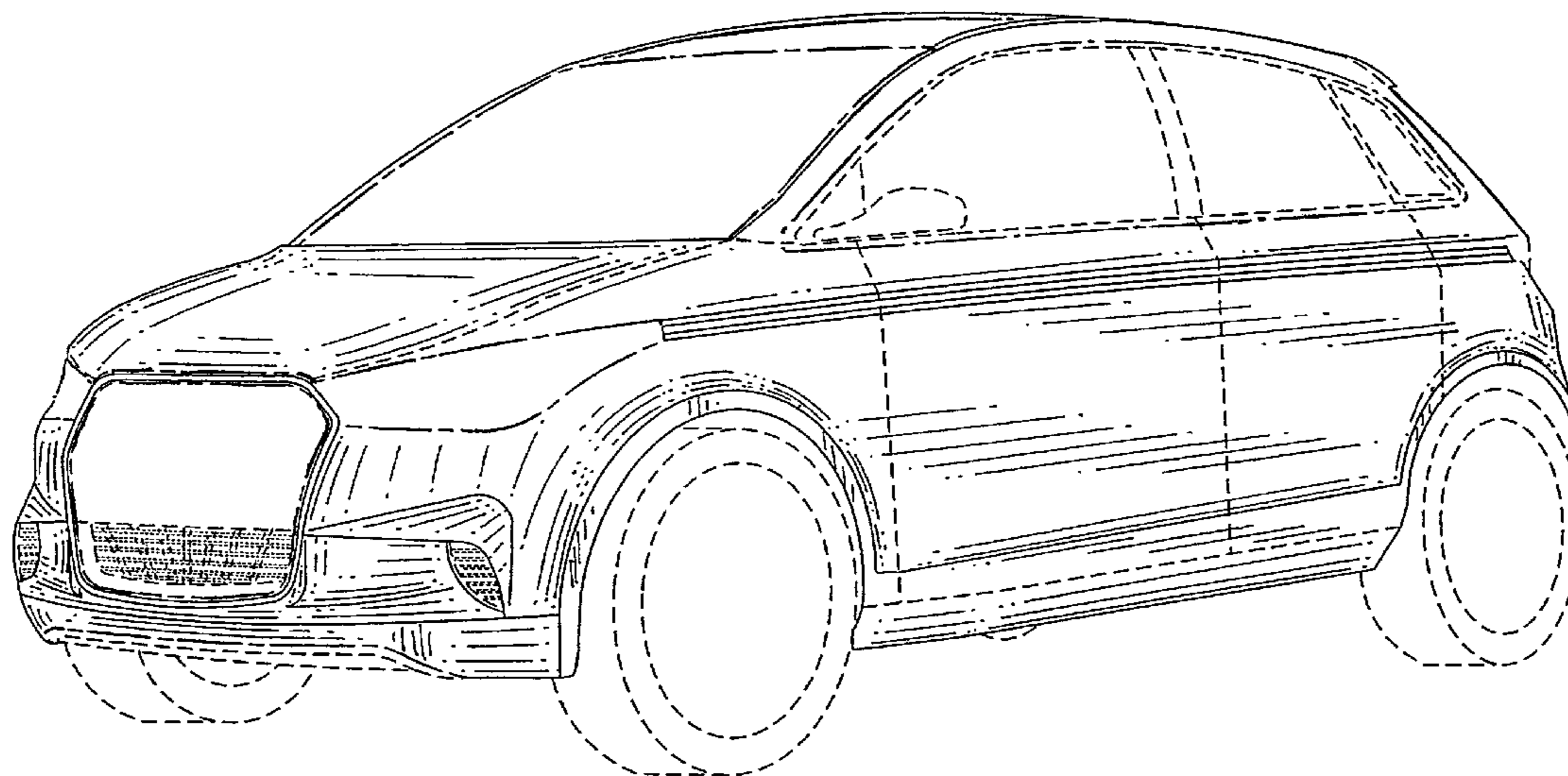
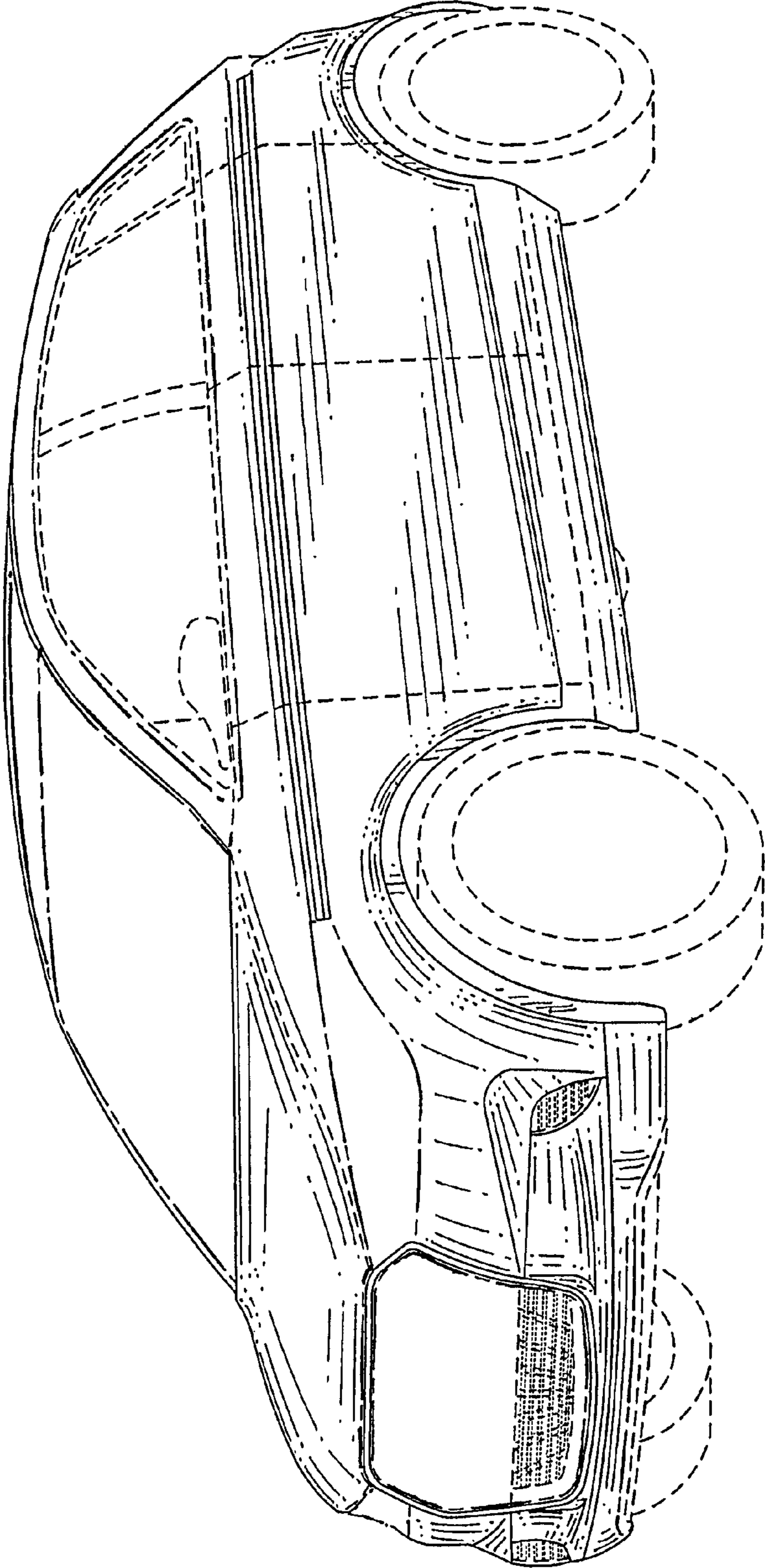


FIG. 1



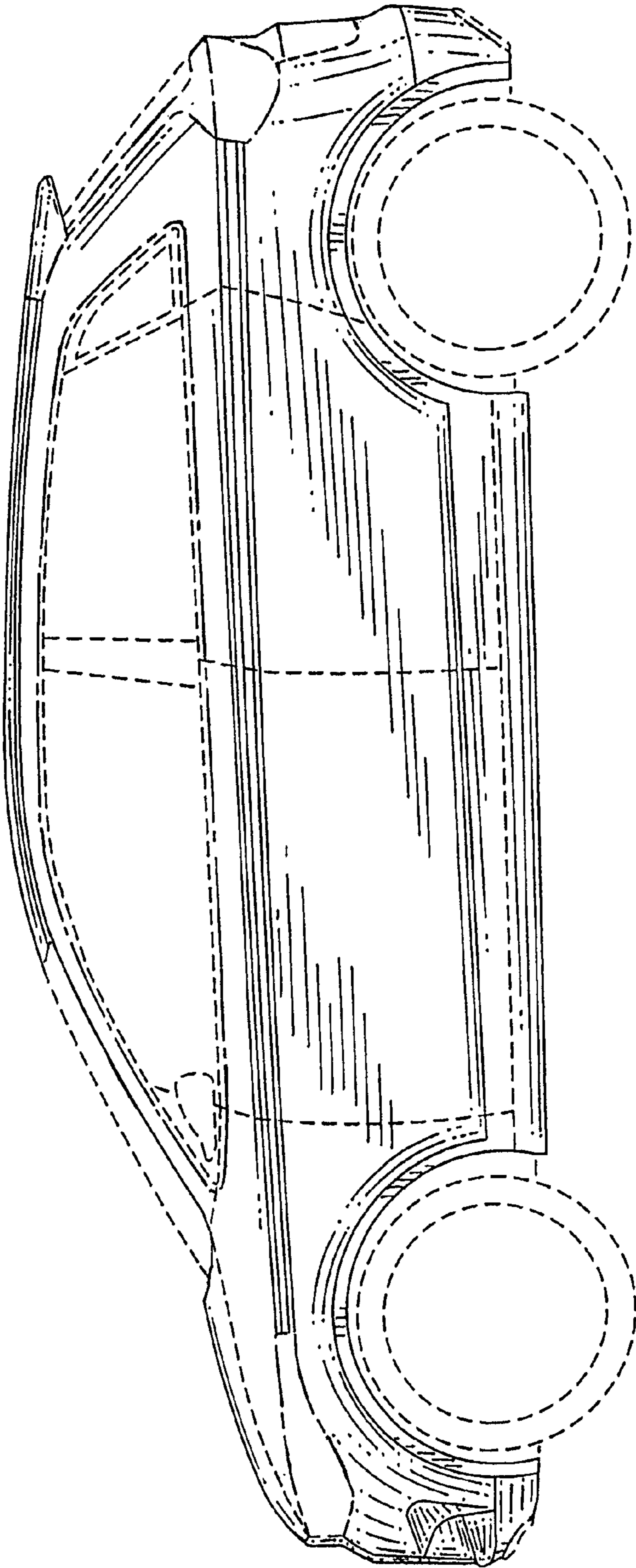


FIG. 2

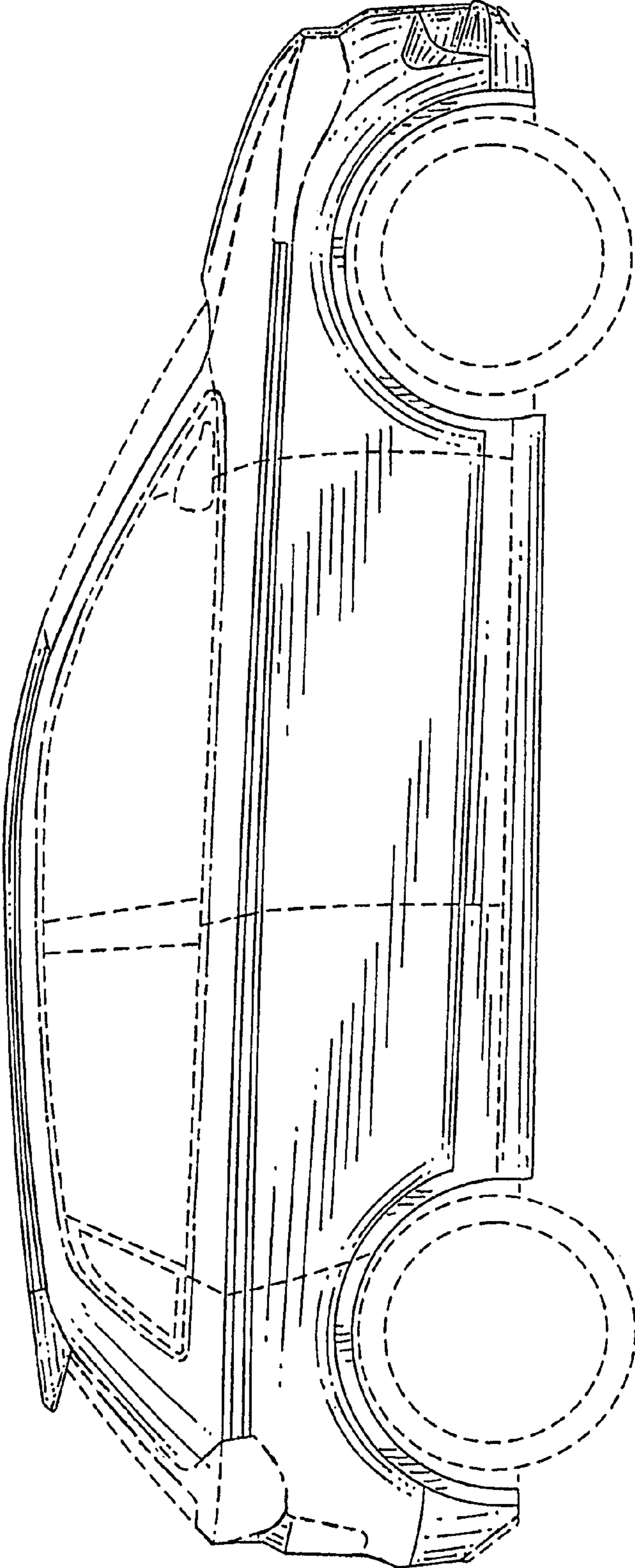


FIG. 3

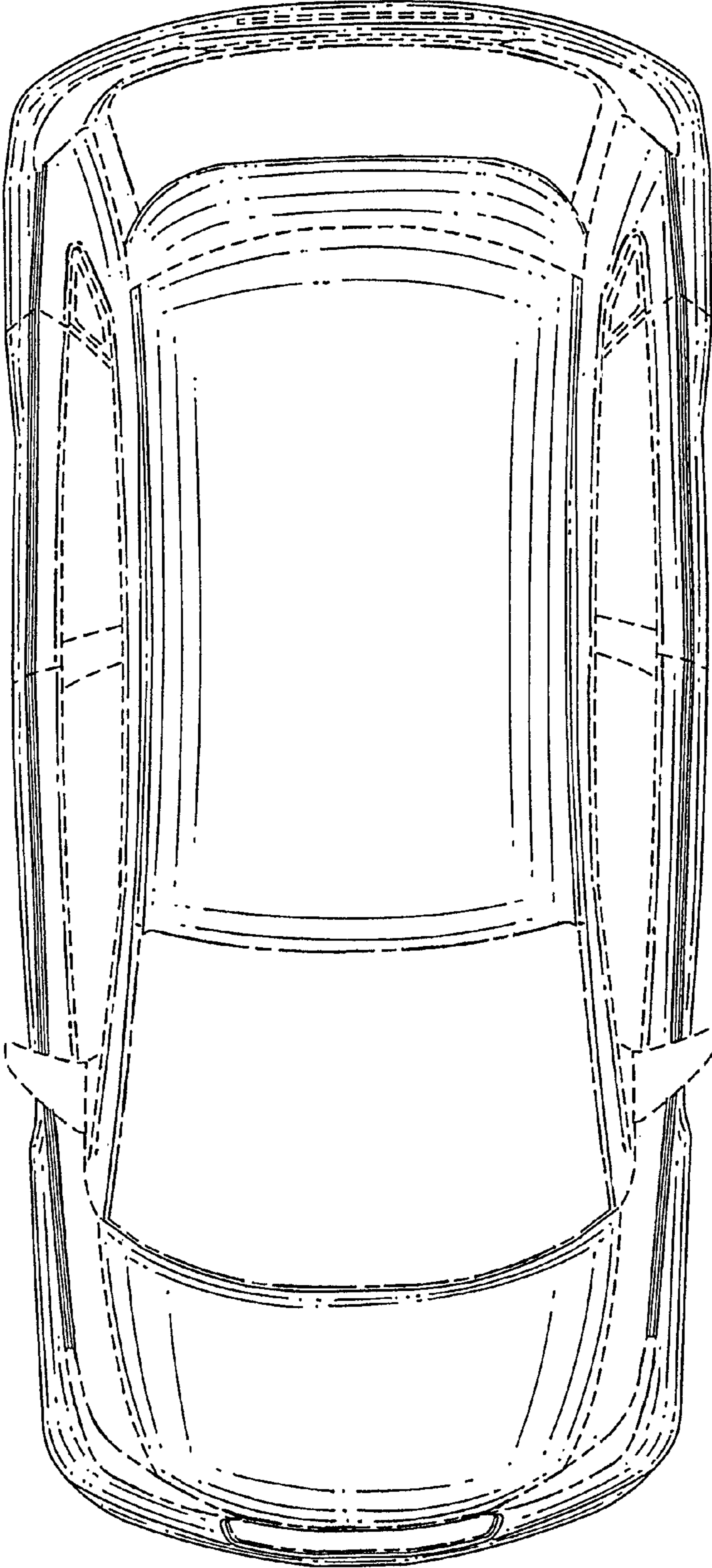


FIG. 4

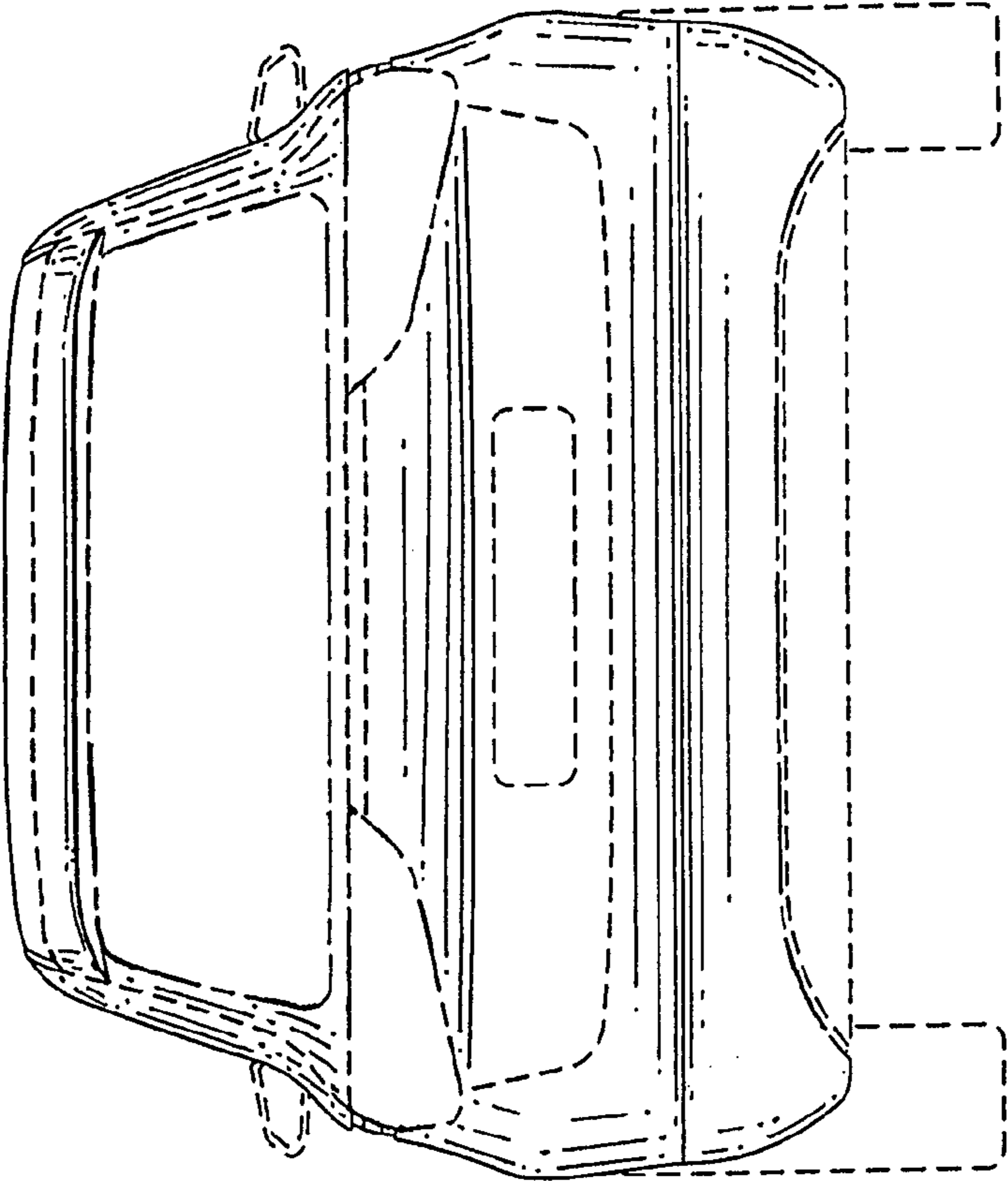


FIG. 5

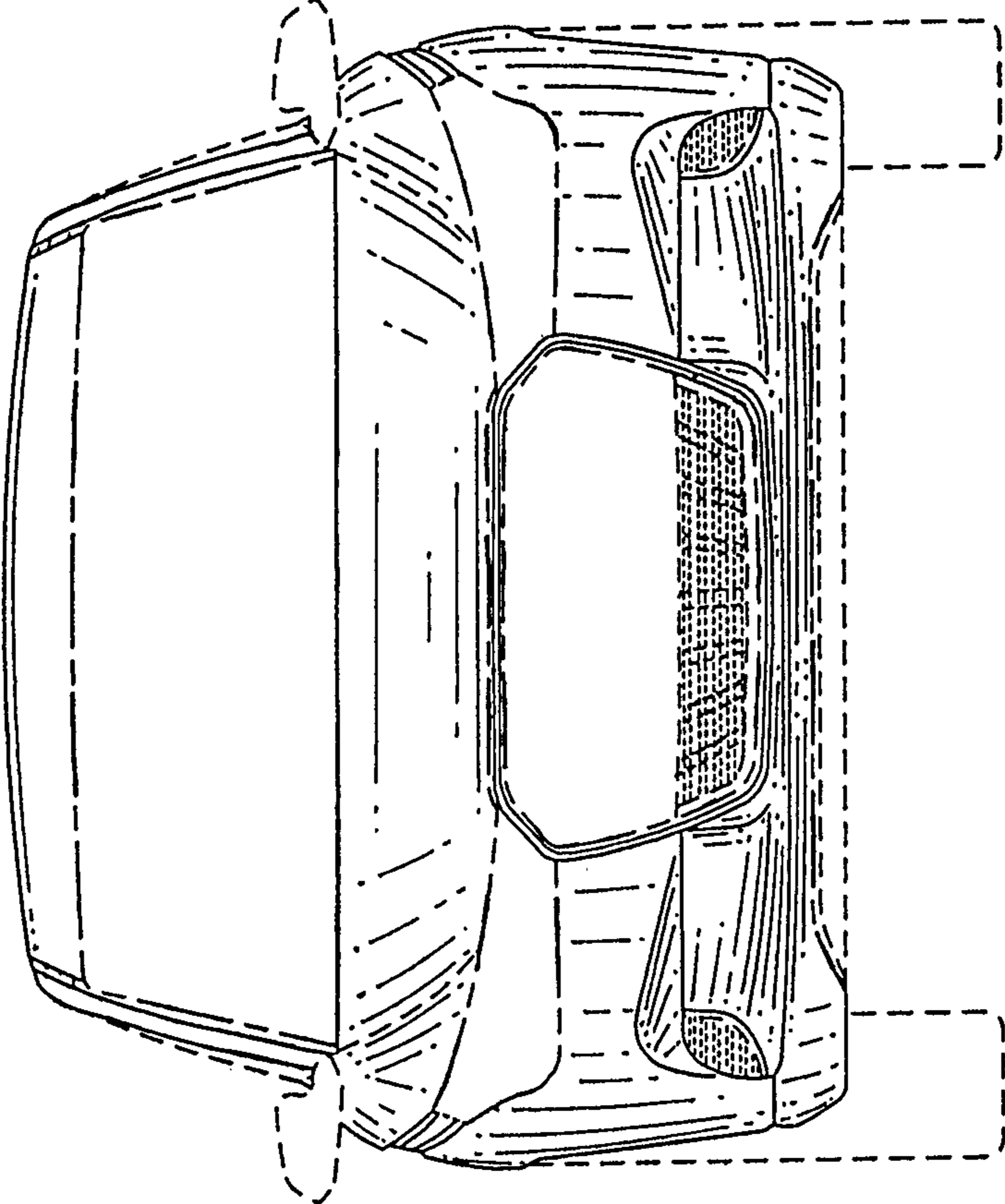


FIG. 6