



US00D698696S

(12) **United States Design Patent**
McBurney et al.

(10) **Patent No.:** **US D698,696 S**
(45) **Date of Patent:** **** Feb. 4, 2014**

- (54) **BALL DISPLAY**
- (75) Inventors: **Elizabeth M. McBurney**, North Providence, RI (US); **David Crockenberg**, North Providence, RI (US)
- (73) Assignee: **DEC Systems, LLC**, North Providence, RI (US)
- (**) Term: **14 Years**
- (21) Appl. No.: **29/413,222**
- (22) Filed: **Feb. 13, 2012**
- (51) **LOC (10) Cl.** **11-02**
- (52) **U.S. Cl.**
USPC **D11/157**
- (58) **Field of Classification Search**
USPC D11/43, 62, 70, 75, 76, 79, 86, 121, D11/124, 125, 130, 141, 184, 131, 145, 157, D11/164; D21/398, 478, 707-714, 811, D21/812; D30/160; 473/569-614; 446/267, 446/409, 431, 437-439, 458, 475; 40/406-410, 427, 439, 446, 477; 119/707-711; 428/11, 13; D19/59, 61, D19/62, 64, 96; D99/99; 434/81, 98, 102, 434/103, 365, 370, 392, 393, 429
See application file for complete search history.

5,526,326	A *	6/1996	Fekete et al.	368/10
5,853,339	A *	12/1998	Scerbo	473/576
6,273,421	B1 *	8/2001	Thalheimer et al.	273/161
6,368,176	B1 *	4/2002	Lozowski et al.	446/397
D457,567	S *	5/2002	Christianson	D19/84
D477,022	S *	7/2003	Rosenbaum	D19/46
D487,111	S *	2/2004	Rosenbaum	D19/36
6,755,416	B2 *	6/2004	Nakamoto et al.	273/145 C
D551,308	S *	9/2007	Chang	D21/712
D551,721	S *	9/2007	Cooper	D21/406
D621,199	S *	8/2010	Lam et al.	D7/325
D625,373	S *	10/2010	Waggoner	D21/712
D629,306	S *	12/2010	Staton et al.	D9/668
D637,239	S *	5/2011	Walterscheid	D21/398
D640,808	S *	6/2011	Weiser	D26/26
D650,452	S *	12/2011	Schwarz	D21/712
D665,040	S *	8/2012	Lowinger	D21/712
8,371,970	B2 *	2/2013	Kessler	473/594
D685,127	S *	6/2013	Reich et al.	D26/94
2012/0193248	A1 *	8/2012	Getter et al.	206/217

* cited by examiner

Primary Examiner — T. Chase Nelson
Assistant Examiner — Michelle E Wilson
(74) *Attorney, Agent, or Firm* — Salter & Michaelson

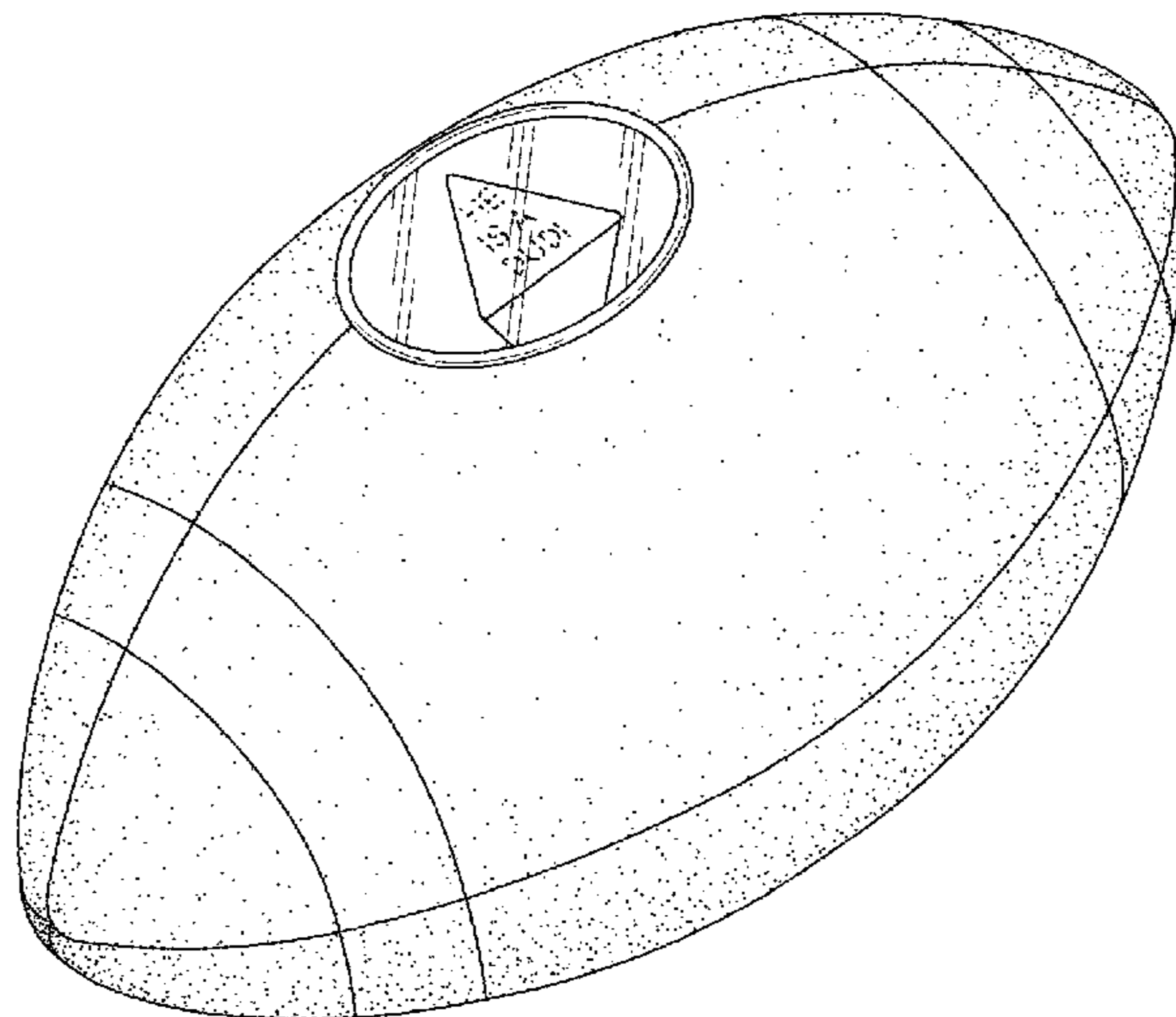
(57) **CLAIM**
The ornamental design for a ball display, as shown and described.

DESCRIPTION

FIG. 1 is a perspective view of a ball display; FIG. 2 is a bottom perspective view thereof; FIG. 3 is a top plan view thereof; FIG. 4 is a bottom plan view thereof; FIG. 5 is a right side elevational view thereof; FIG. 6 is a left side elevational view thereof; FIG. 7 is a front elevational view thereof; and, FIG. 8 is a rear elevational view thereof. The portions shown in broken lines are included for illustrative purposes only and form no part of the claimed design.

1 Claim, 5 Drawing Sheets

- (56) **References Cited**
U.S. PATENT DOCUMENTS
- 1,659,874 A * 2/1928 Jacobs 446/26
- 2,286,535 A * 6/1942 Goldstein 40/1.5
- 3,119,621 A * 1/1964 Bookman 273/145 C
- 3,168,315 A * 2/1965 Bookman 273/145 C
- 3,940,142 A * 2/1976 Hinz et al. 273/146
- 4,049,277 A * 9/1977 Carlsson et al. 273/145 C
- 4,148,488 A * 4/1979 Kohlhagen 273/146
- 4,632,397 A * 12/1986 Rivkin 273/145 CA
- 4,643,693 A * 2/1987 Rubinstein 446/267



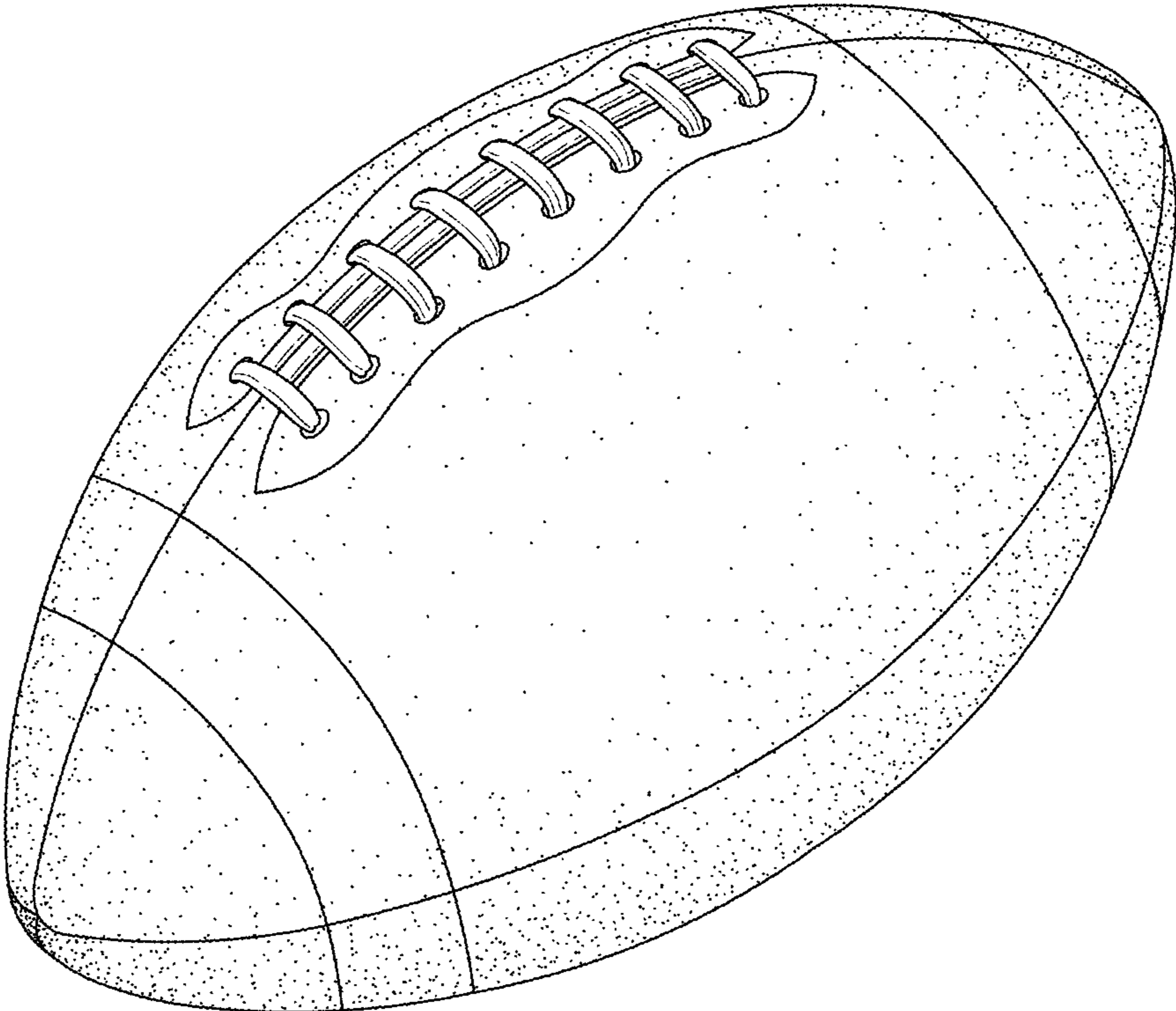


FIG. 1

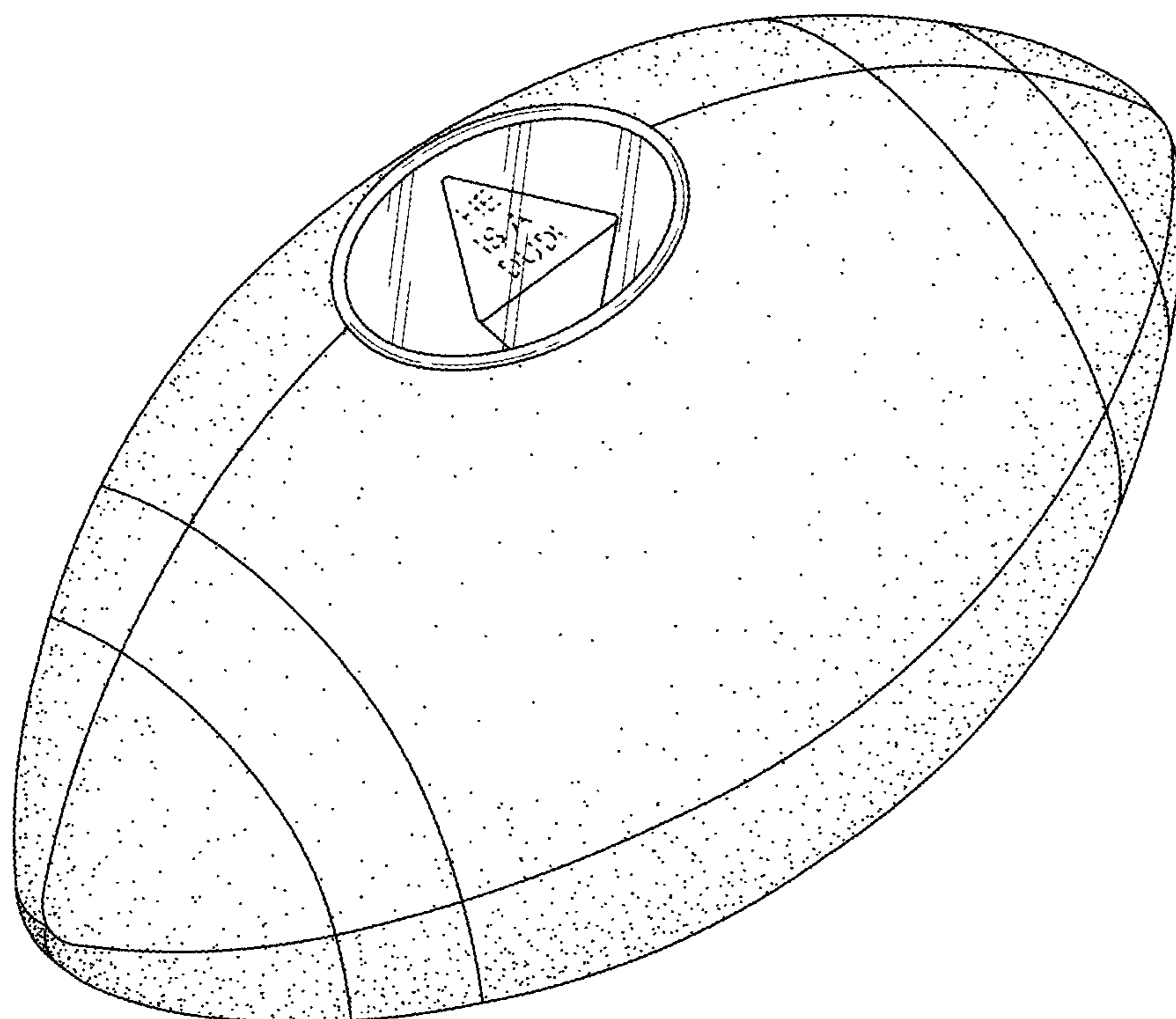


FIG. 2

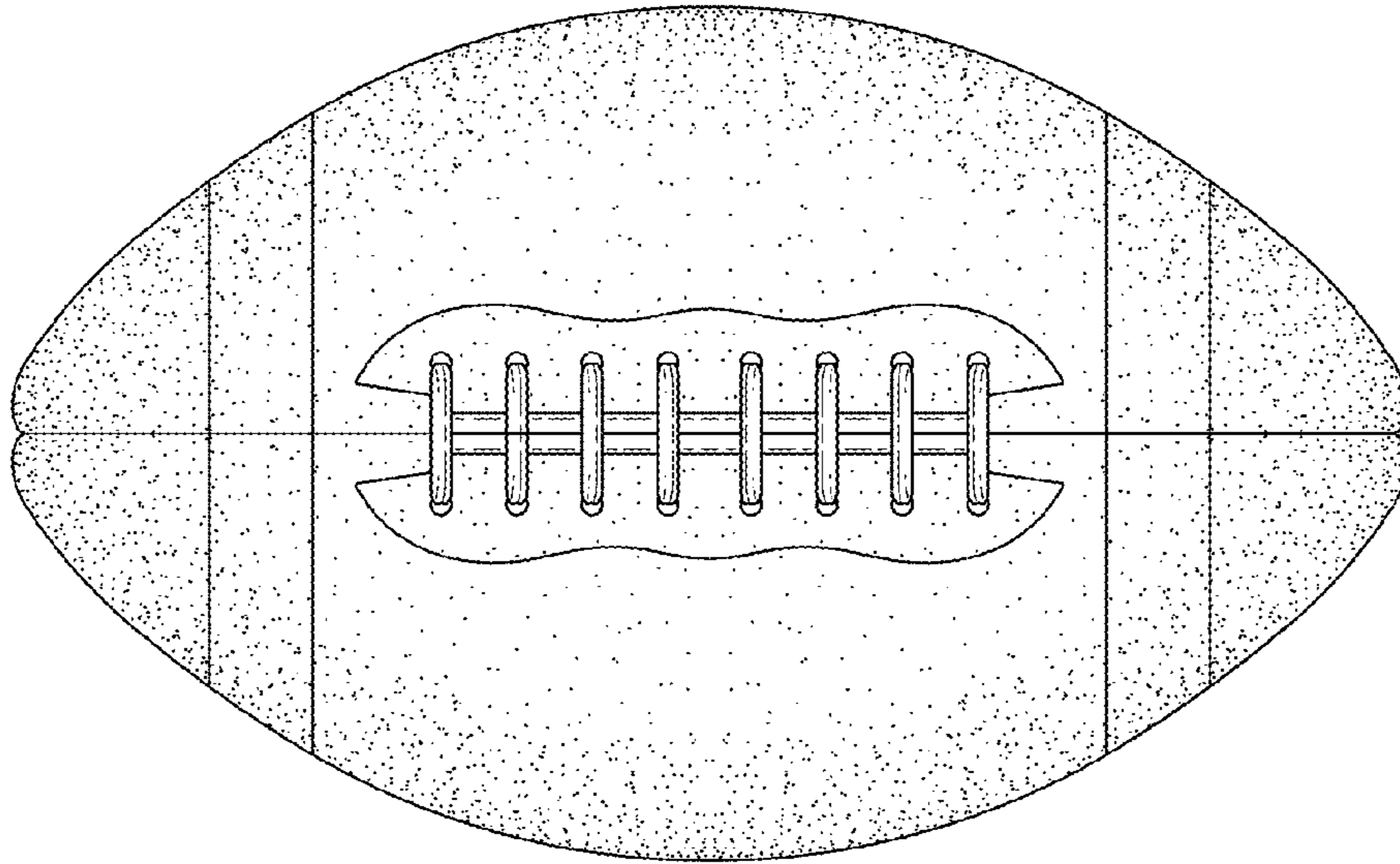


FIG. 3

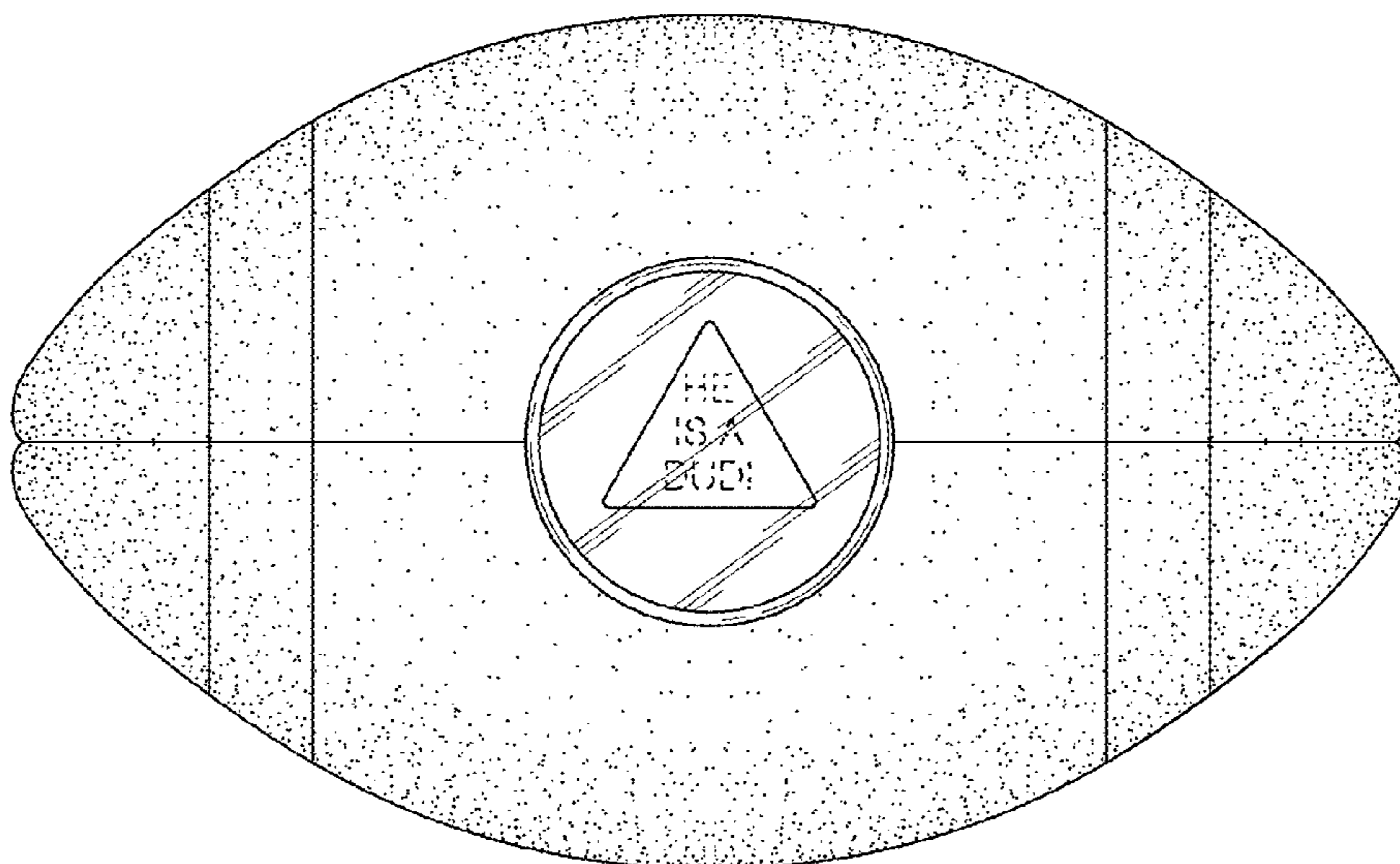


FIG. 4

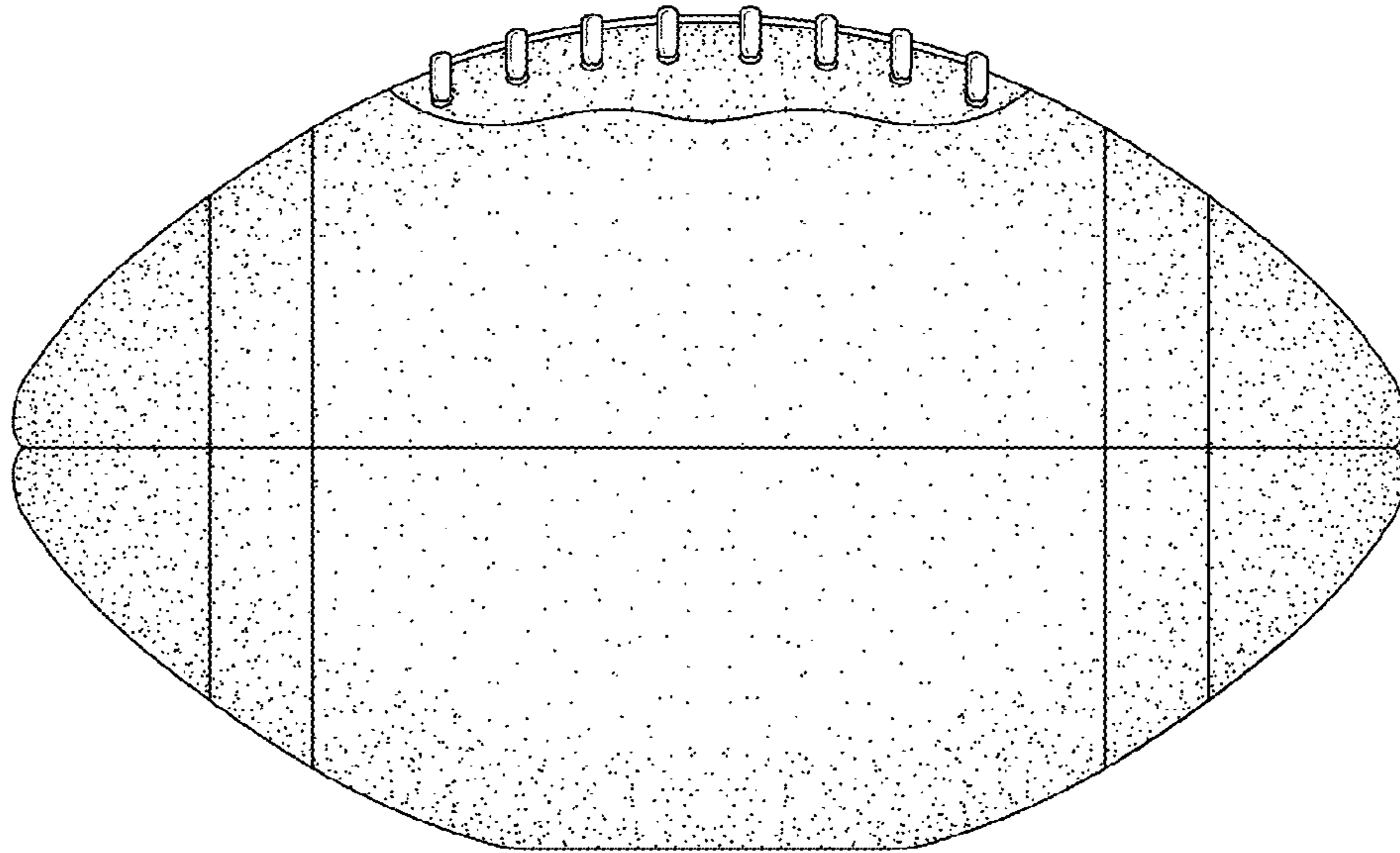


FIG. 5

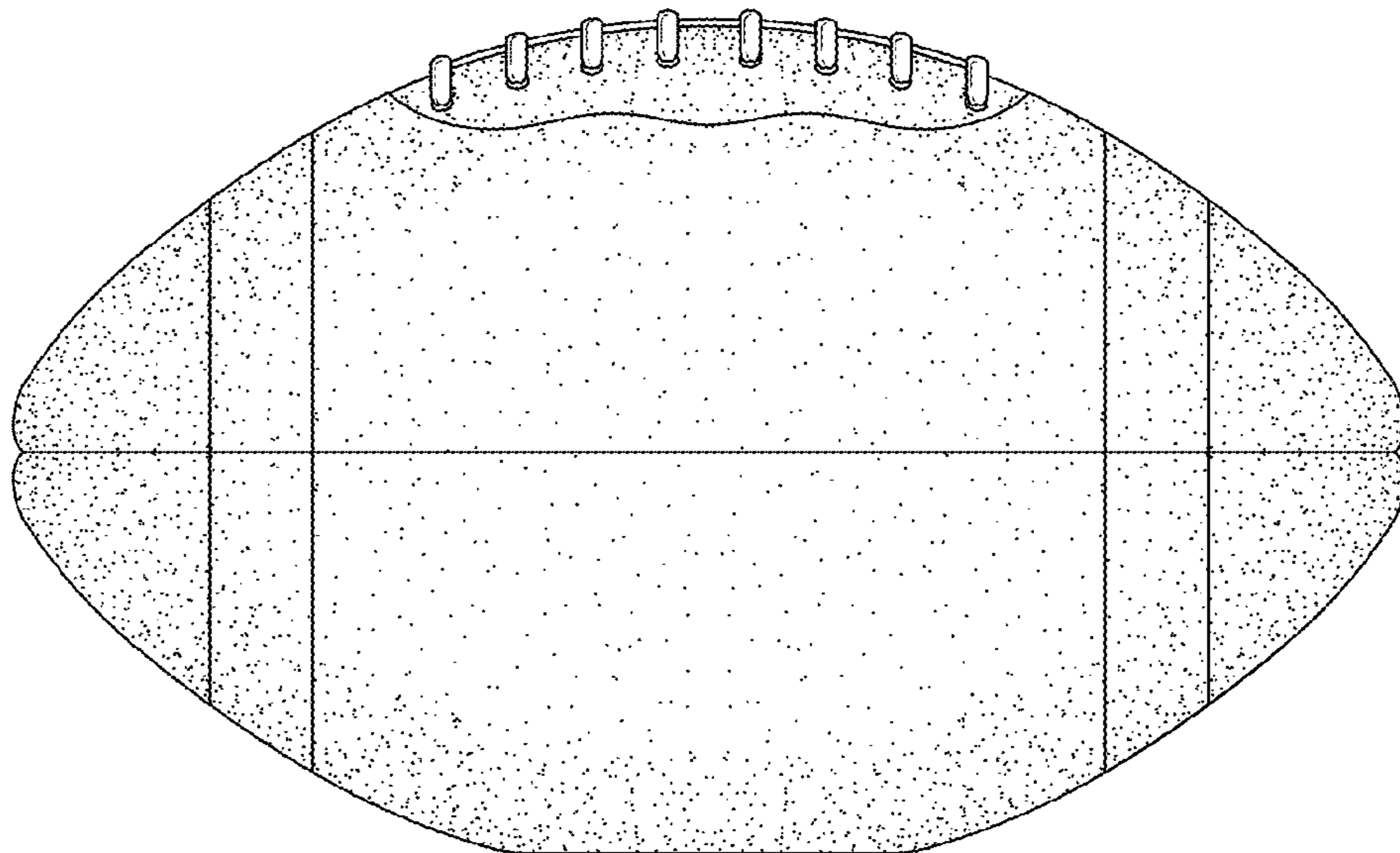


FIG. 6

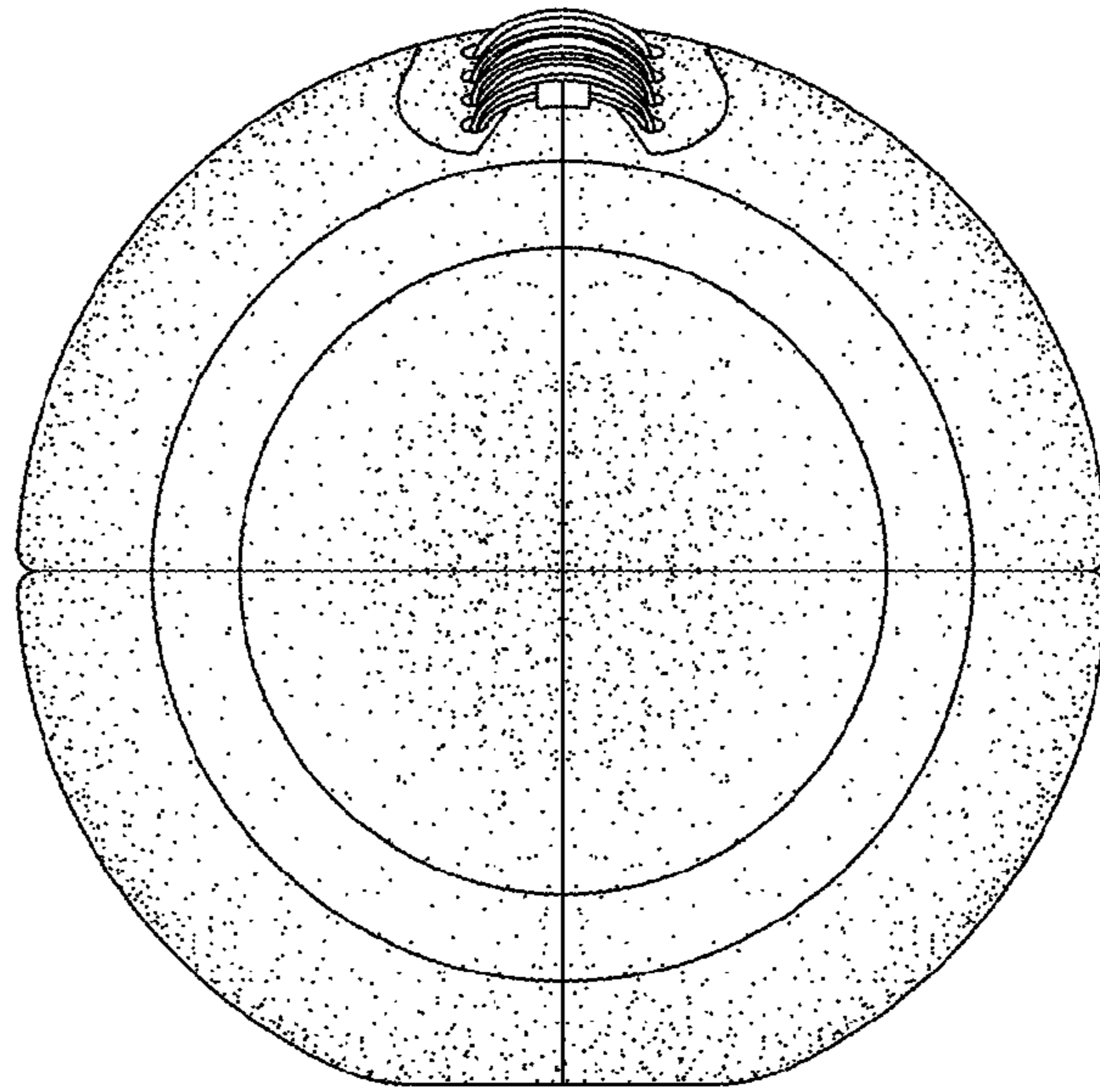


FIG. 7

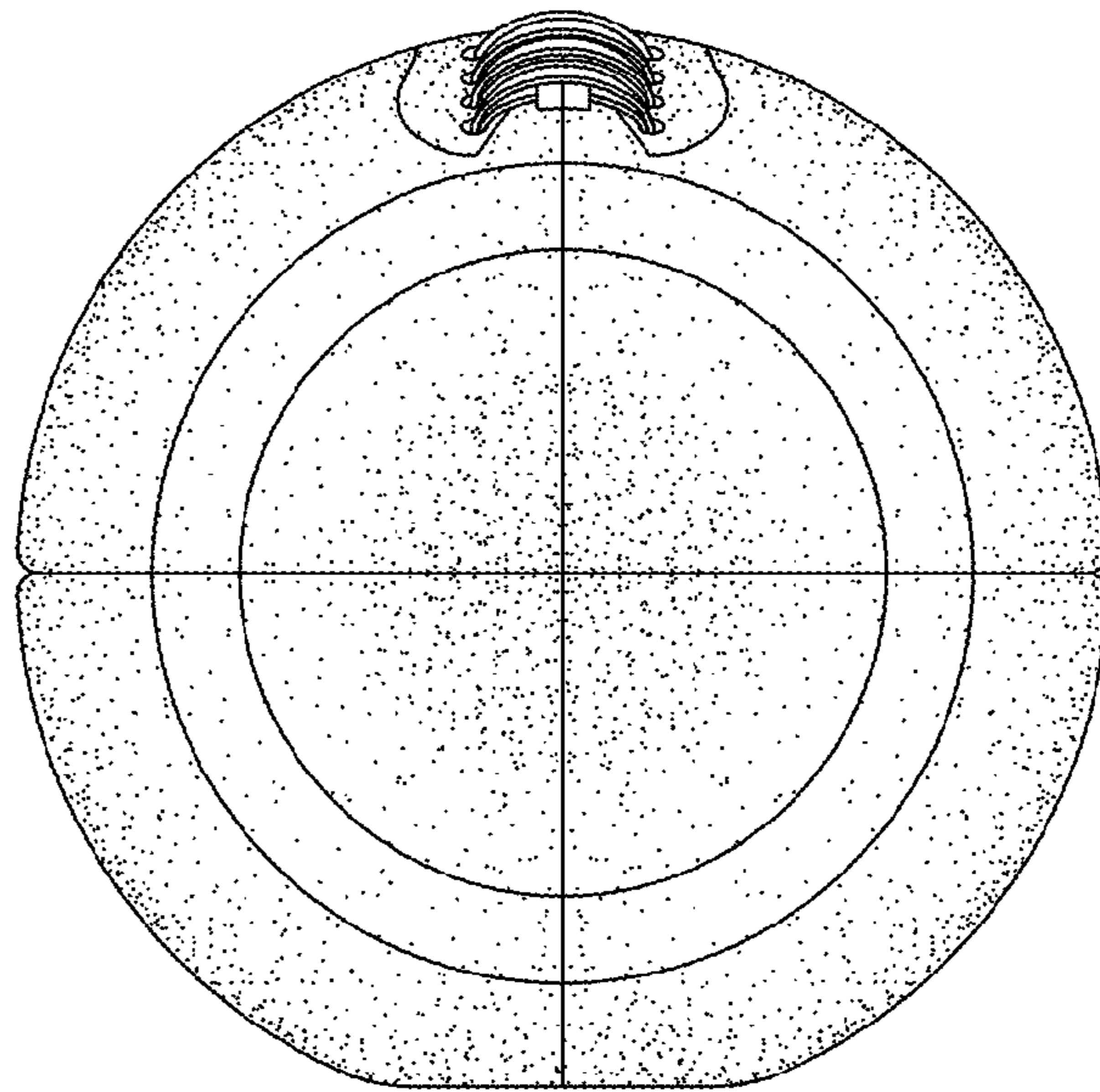


FIG. 8