



US00D698694S

(12) **United States Design Patent**
Thuma et al.

(10) **Patent No.:** **US D698,694 S**
(45) **Date of Patent:** **** Feb. 4, 2014**

(54) **PLANT CONTAINER**

(75) Inventors: **Michael C. Thuma**, La Grange, IL (US);
Torrence Anderson, Overland Park, KS
(US); **Michael R. Vogler**, Oswego, IL
(US)

(73) Assignee: **Suncast Technologies, LLC**, Palm
Beach Gardens, FL (US)

(**) Term: **14 Years**

(21) Appl. No.: **29/429,122**

(22) Filed: **Aug. 7, 2012**

(51) **LOC (10) Cl.** **11-02**

(52) **U.S. Cl.**
USPC **D11/152**

(58) **Field of Classification Search**
USPC D6/403-405, 556-558; D8/1;
D11/143-156, 164; D19/77, 80, 81,
D19/84; D25/100; D26/9-11, 16, 19;
D34/1, 2, 4-6; D99/5, 19; 47/17, 32.4,
47/32.5, 32.7, 33, 39, 41.01, 41.1,
47/41.11-41.15, 44-47, 65, 65.5, 65.9,
47/66.1, 66.2, 66.6, 66.7, 67-71

See application file for complete search history.

(56) **References Cited**

U.S. PATENT DOCUMENTS

D360,850 S *	8/1995	Grosfillex	D11/152
D395,411 S *	6/1998	Grebert	D11/153
D479,695 S *	9/2003	Harbaugh	D11/152
D485,785 S *	1/2004	Harbaugh	D11/151
D490,017 S *	5/2004	Harbaugh	D11/152
D503,359 S *	3/2005	Harbaugh	D11/152
D504,086 S *	4/2005	Harbaugh	D11/152
D566,363 S *	4/2008	Lown et al.	D34/1
D619,923 S *	7/2010	Rundle	D11/153
D658,041 S *	4/2012	Vogler et al.	D8/356

* cited by examiner

Primary Examiner — Garth Rademaker

(74) *Attorney, Agent, or Firm* — McHale & Slavin, P.A.

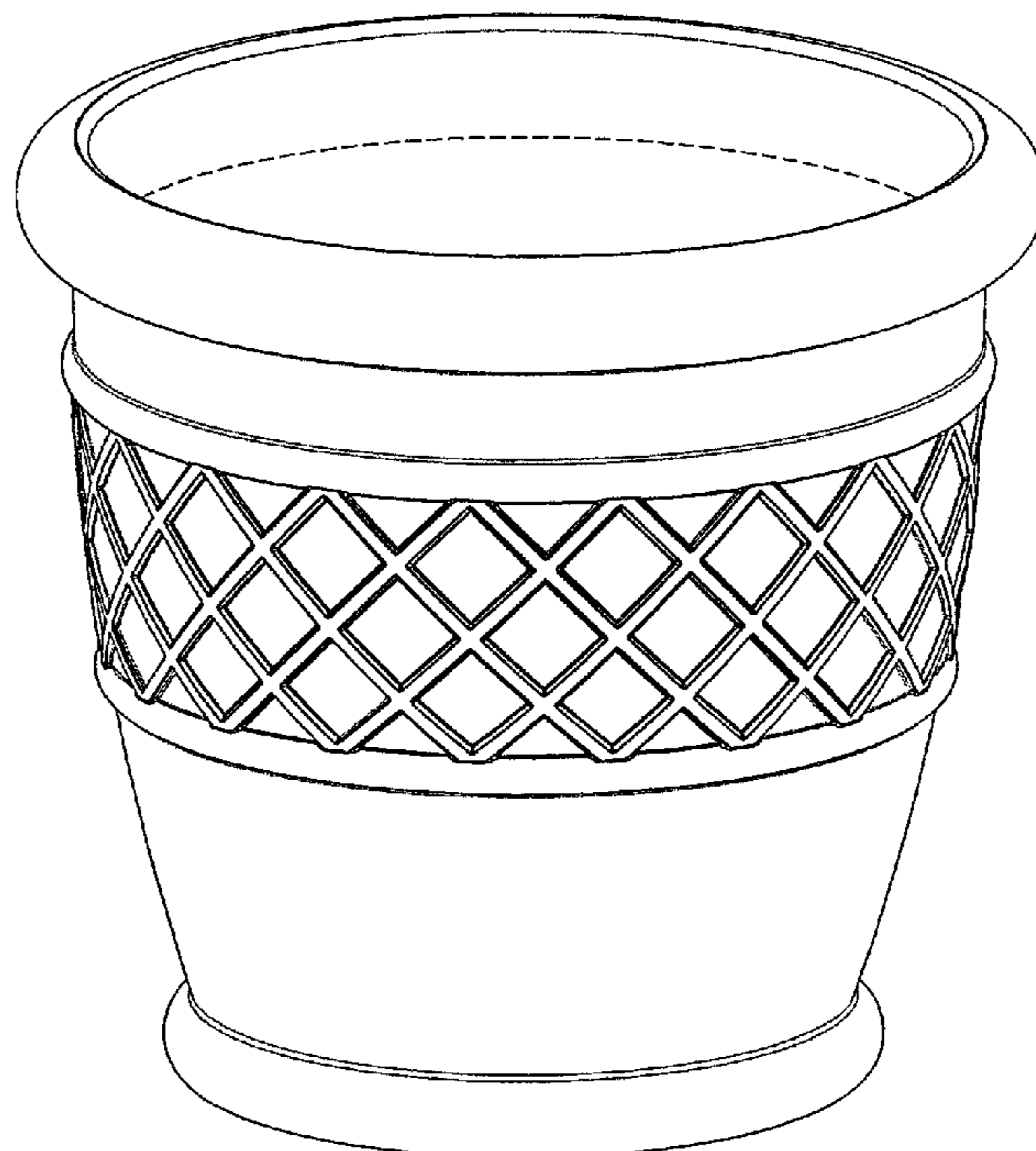
(57) **CLAIM**

The ornamental design for a plant container, as shown and described.

DESCRIPTION

FIG. 1 is a front perspective view of a plant container showing the new design;
FIG. 2 is a front view thereof, the rear view being a mirror image thereof;
FIG. 3 is a left side view thereof, the right side view being a mirror image thereof;
FIG. 4 is a top view thereof; and,
FIG. 5 is a bottom view thereof.
The portions of the figures illustrated in broken lines illustrate portions of the plant container which form no part of the claimed subject matter.

1 Claim, 5 Drawing Sheets



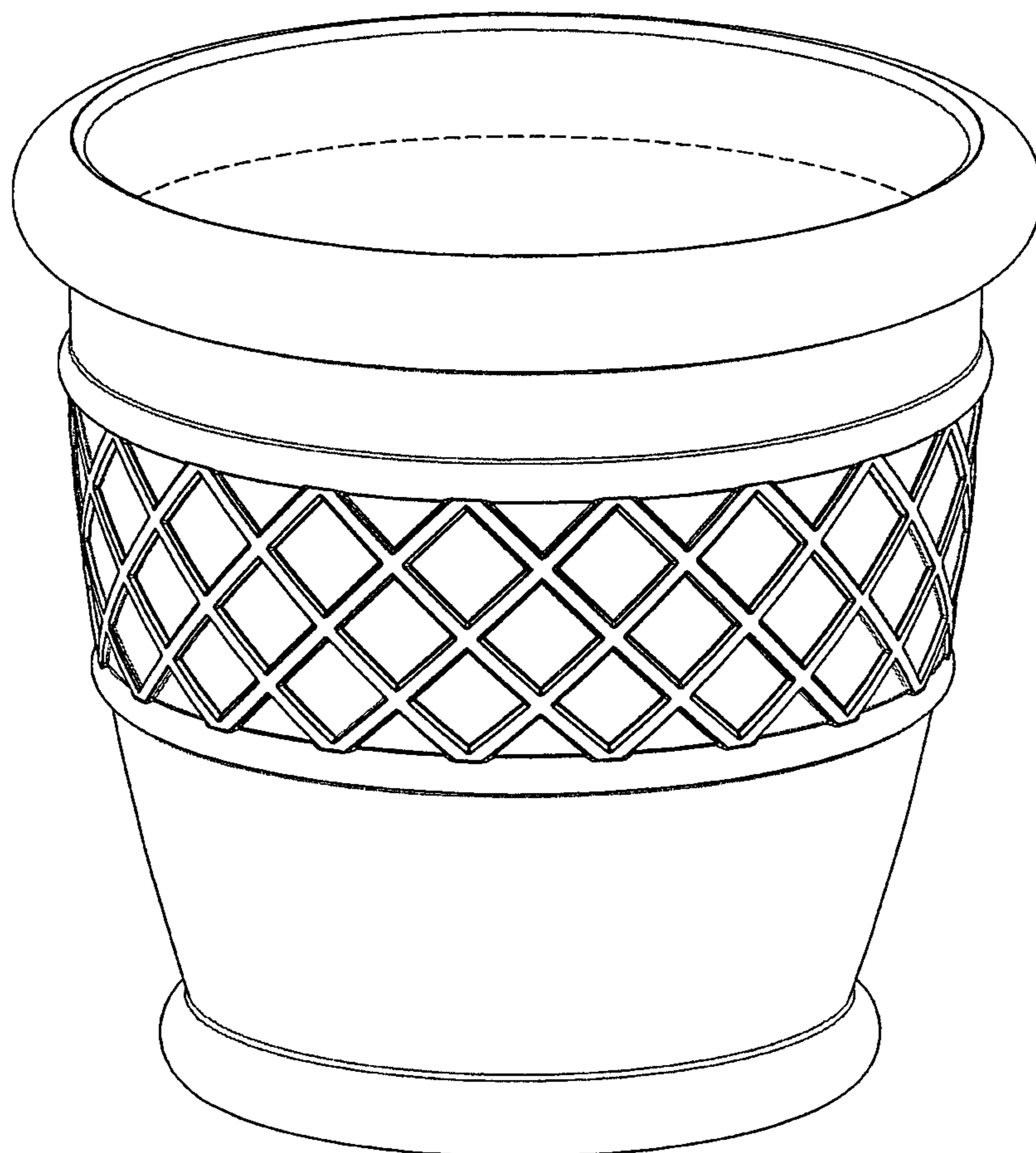


FIG. 1

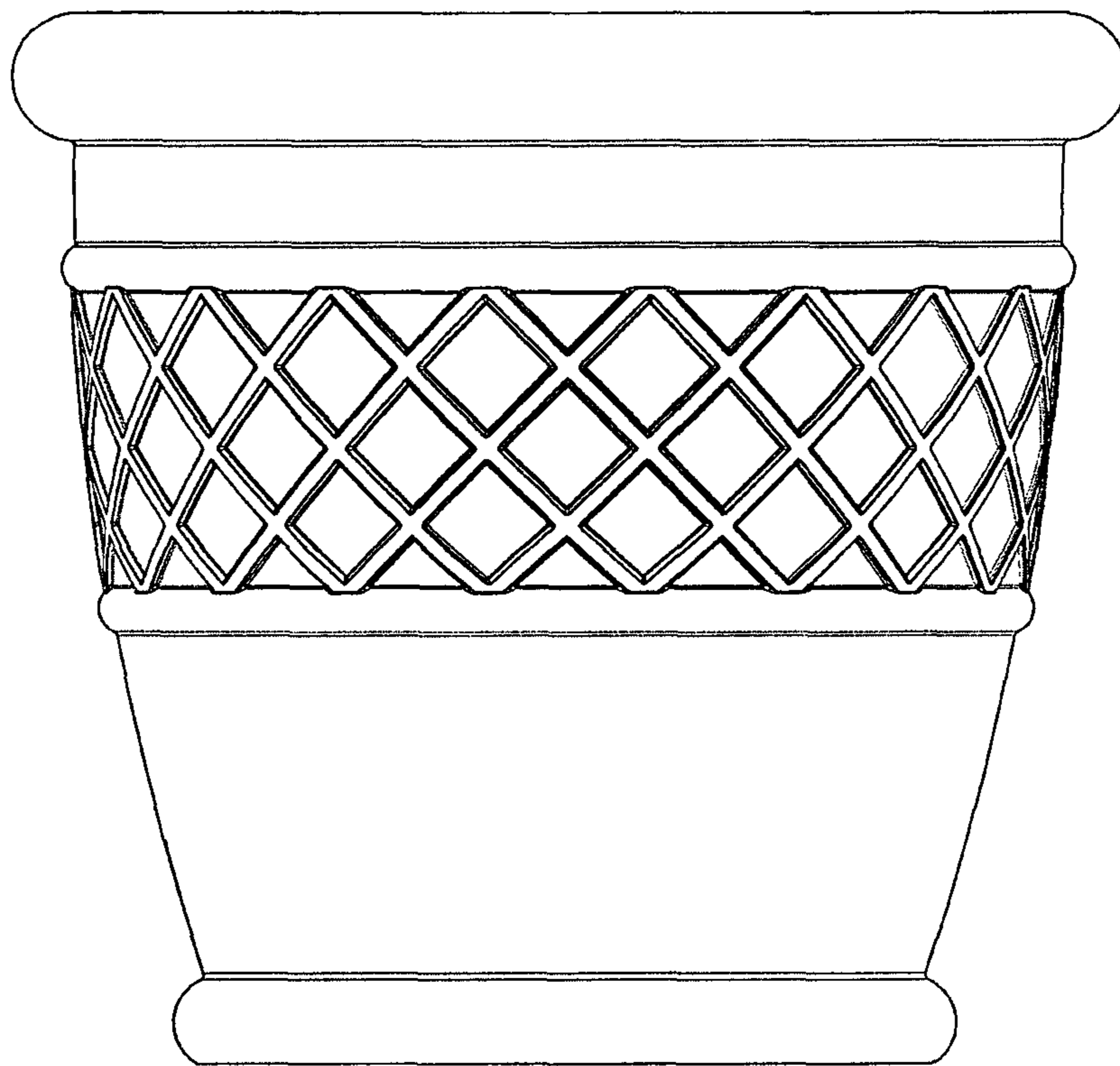


FIG. 2

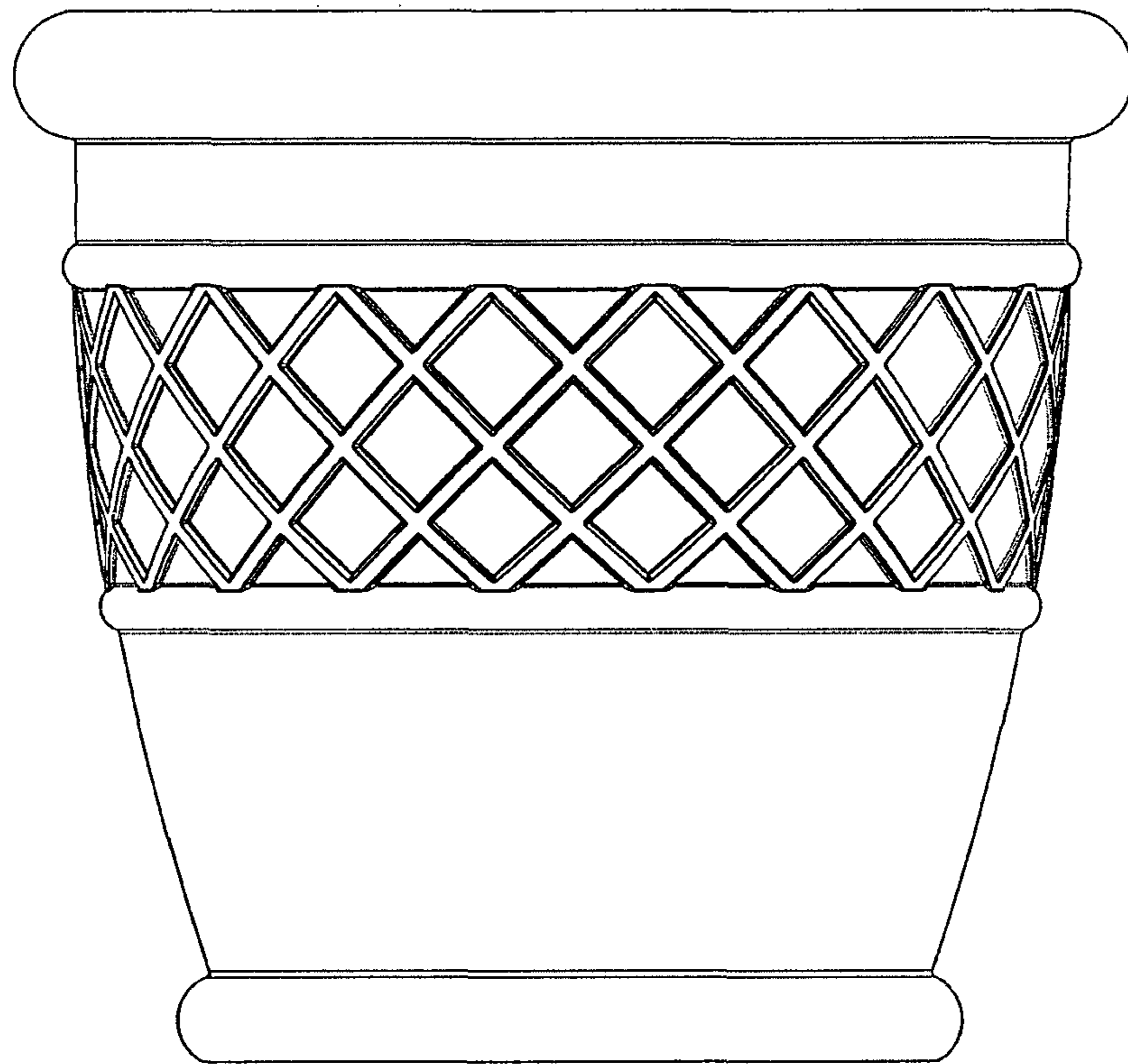


FIG. 3

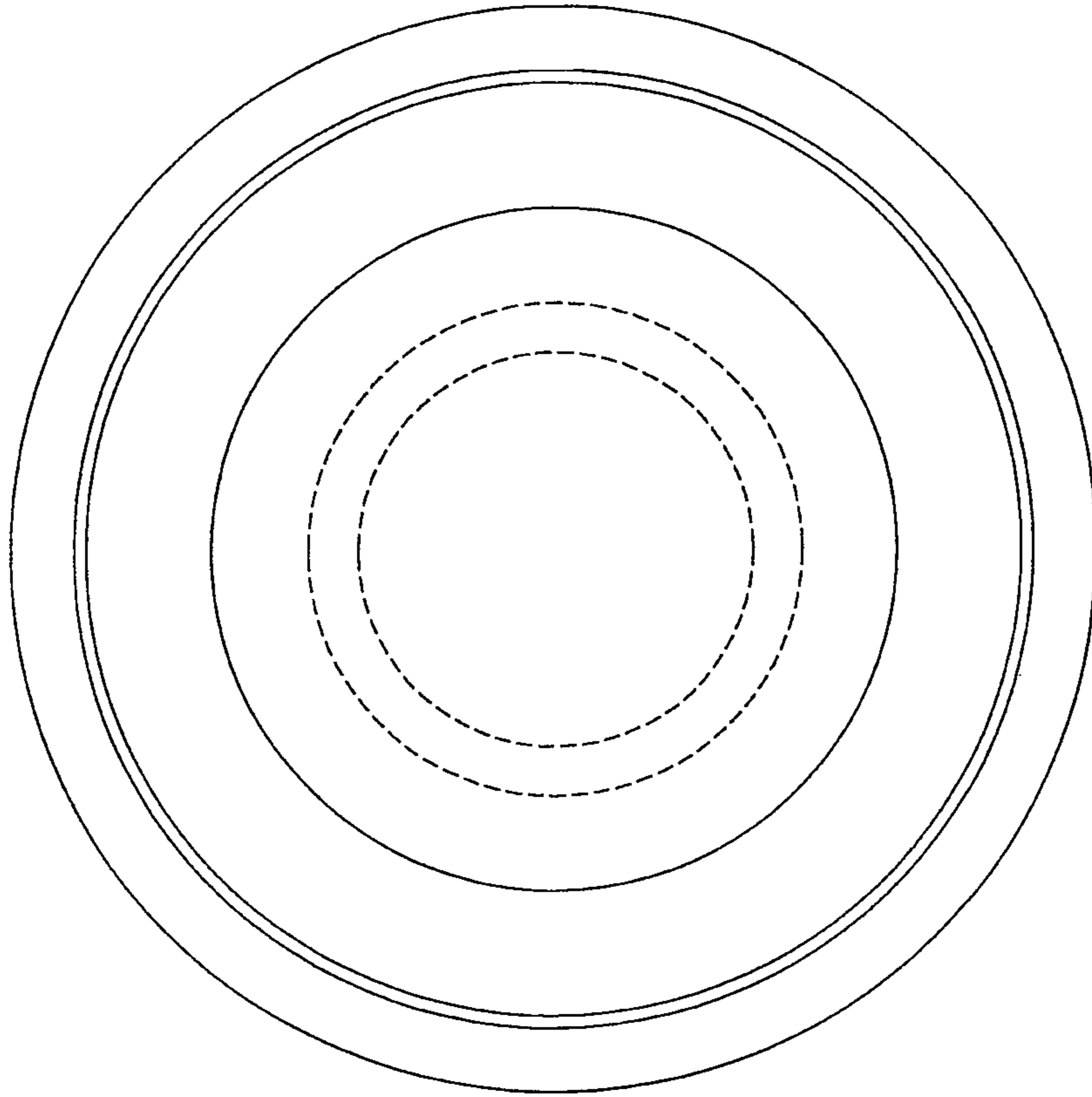


FIG. 4

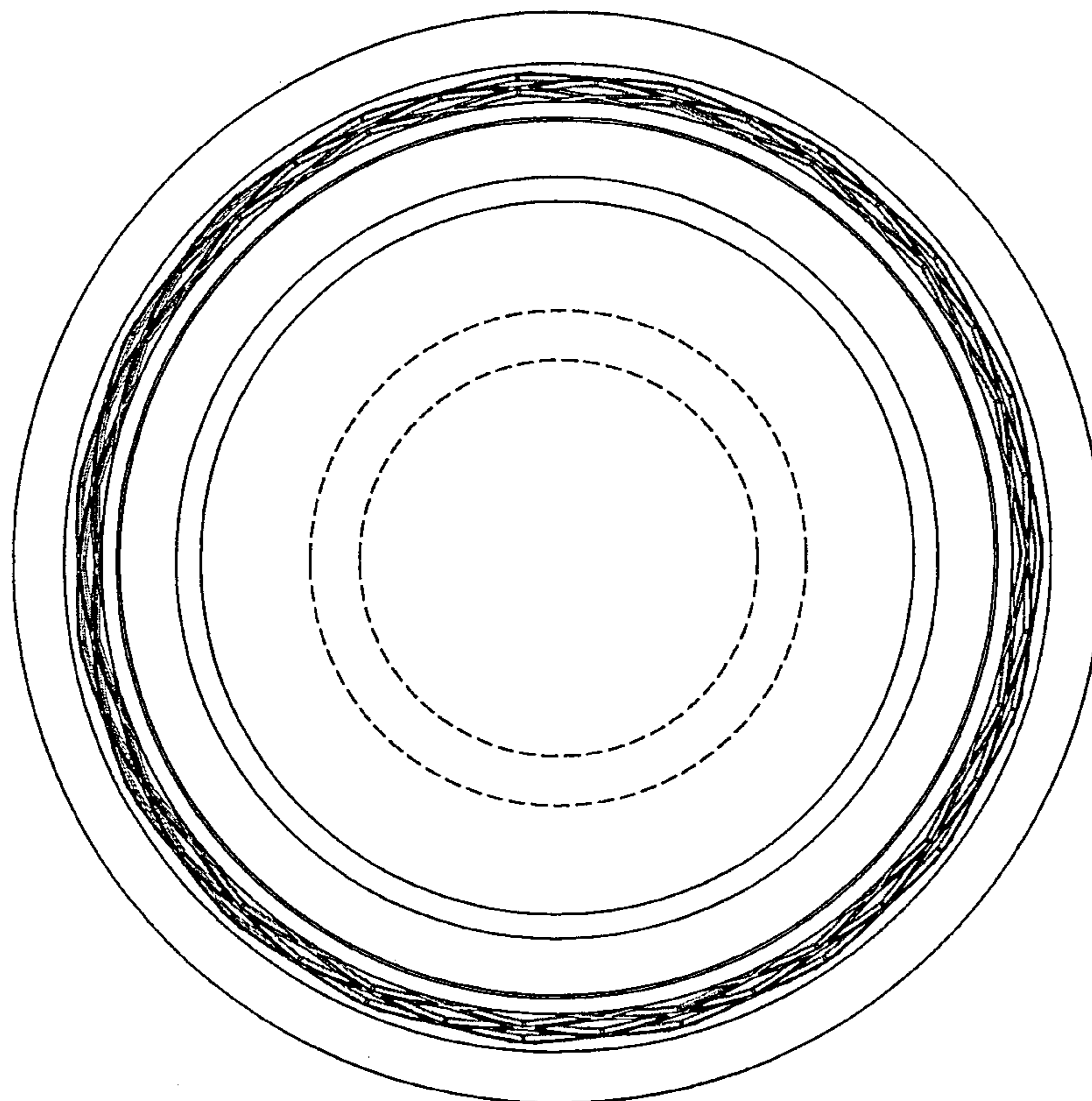


FIG. 5