



US00D698687S

(12) **United States Design Patent**
Boulangéot

(10) **Patent No.:** **US D698,687 S**
(45) **Date of Patent:** **** Feb. 4, 2014**

- (54) **WATCH DIAL**
- (71) Applicant: **Cartier Creation Studio SA**, Geneva (CH)
- (72) Inventor: **Sophie Boulangéot**, Geneva (CH)
- (73) Assignee: **Cartier Creation Studio SA**, Geneva (CH)
- (**) Term: **14 Years**
- (21) Appl. No.: **29/439,970**
- (22) Filed: **Dec. 18, 2012**
- (30) **Foreign Application Priority Data**
Jun. 27, 2012 (WO) DM/078 833
- (51) **LOC (10) CL.** **10-07**
- (52) **U.S. CL.**
USPC **D10/126**
- (58) **Field of Classification Search**
USPC D10/122-126, 30-39; 368/223, 228, 368/232
See application file for complete search history.

D297,125 S *	8/1988	Grinberg	D10/39
D440,514 S *	4/2001	Gruosi	D10/125
D458,853 S *	6/2002	Finazzi	D10/39
D529,824 S *	10/2006	Senggen et al.	D10/32
D531,064 S *	10/2006	Senggen et al.	D10/32
D547,209 S *	7/2007	Gruosi-Scheufele	D10/39
D547,211 S *	7/2007	Dias	D10/39
D578,022 S *	10/2008	Salemi	D10/32
D585,307 S *	1/2009	Modolo	D10/32
D607,757 S *	1/2010	Cattin	D10/39
D609,128 S *	2/2010	Rabassa	D10/126
D620,381 S *	7/2010	Rabassa et al.	D10/126
D637,093 S *	5/2011	Salemi	D10/32
D650,708 S *	12/2011	Laucella	D10/39
D651,928 S *	1/2012	Favre	D10/126

* cited by examiner

Primary Examiner — Lucy Lieberman
(74) *Attorney, Agent, or Firm* — Krieg DeVault LLP; Clifford W. Browning

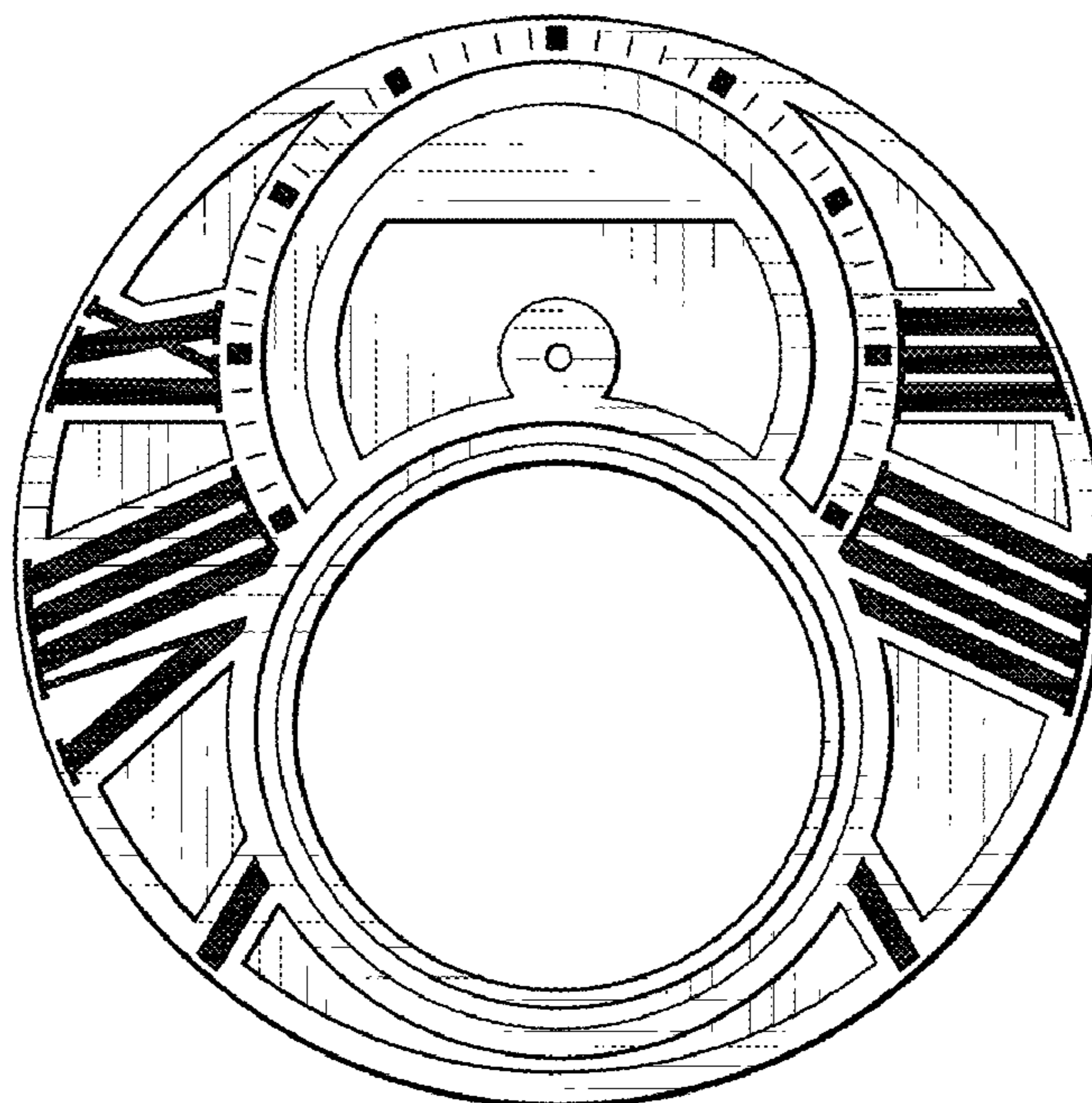
(57) **CLAIM**
The ornamental design for a watch dial, as shown and described.

DESCRIPTION

FIG. 1 is a top view of the watch dial of the present invention. FIG. 2 is a bottom view of the watch dial of FIG. 1. FIG. 3 is a right-side view of the watch dial of FIG. 1. FIG. 4 is a left-side view of the watch dial of FIG. 1. FIG. 5 is a front view of the watch dial of FIG. 1. FIG. 6 is a back view of the watch dial of FIG. 1; and, FIG. 7 is top, left-side perspective view of the watch dial of FIG. 1.

1 Claim, 1 Drawing Sheet

- (56) **References Cited**
U.S. PATENT DOCUMENTS
776,856 A * 12/1904 Lane 368/232
D40,127 S * 7/1909 Starkey D10/126
D78,044 S * 3/1929 Streng D10/126
D79,292 S * 8/1929 Gruen D10/125
3,570,239 A * 3/1971 Charles 368/11



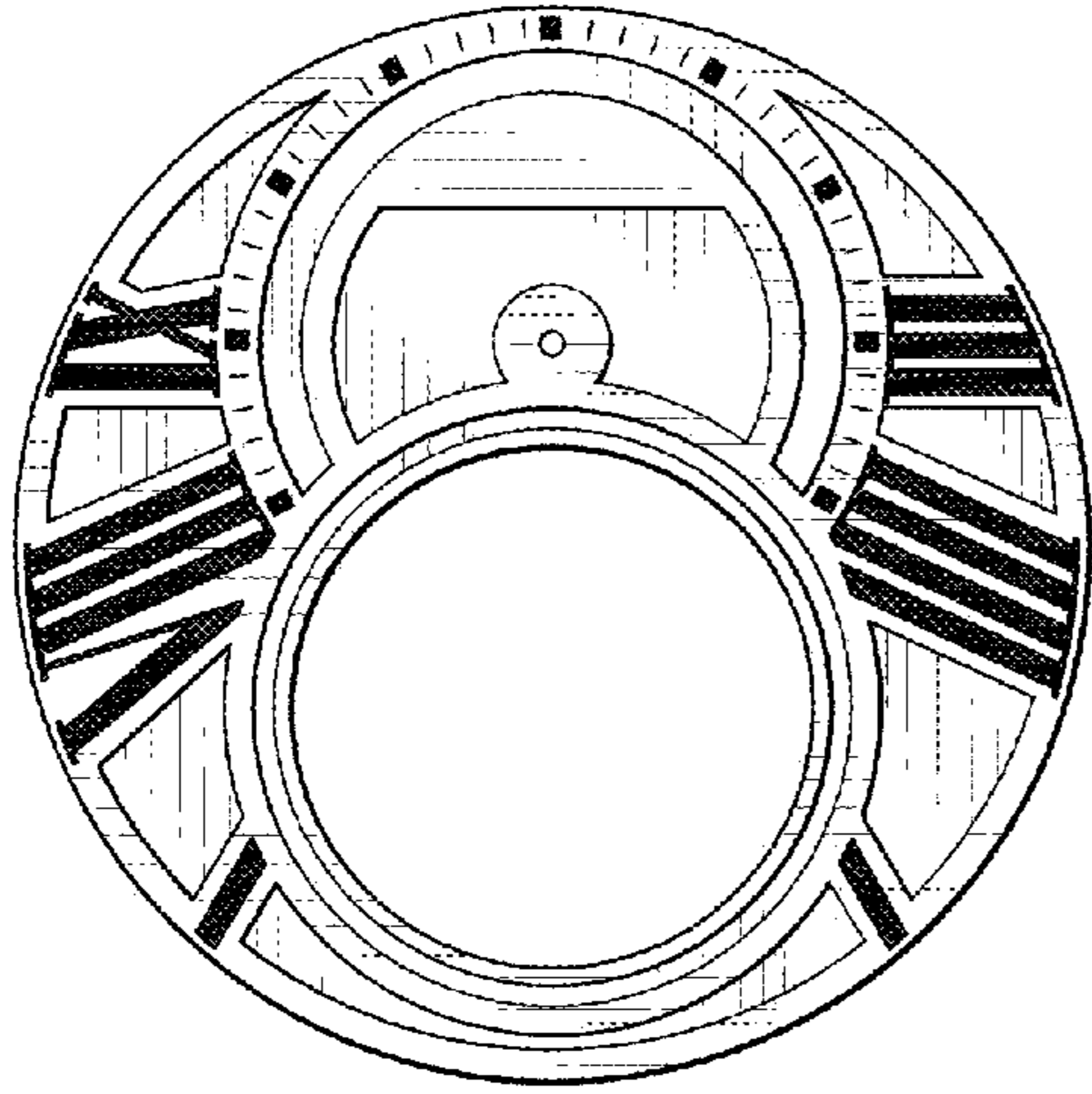


Fig. 1

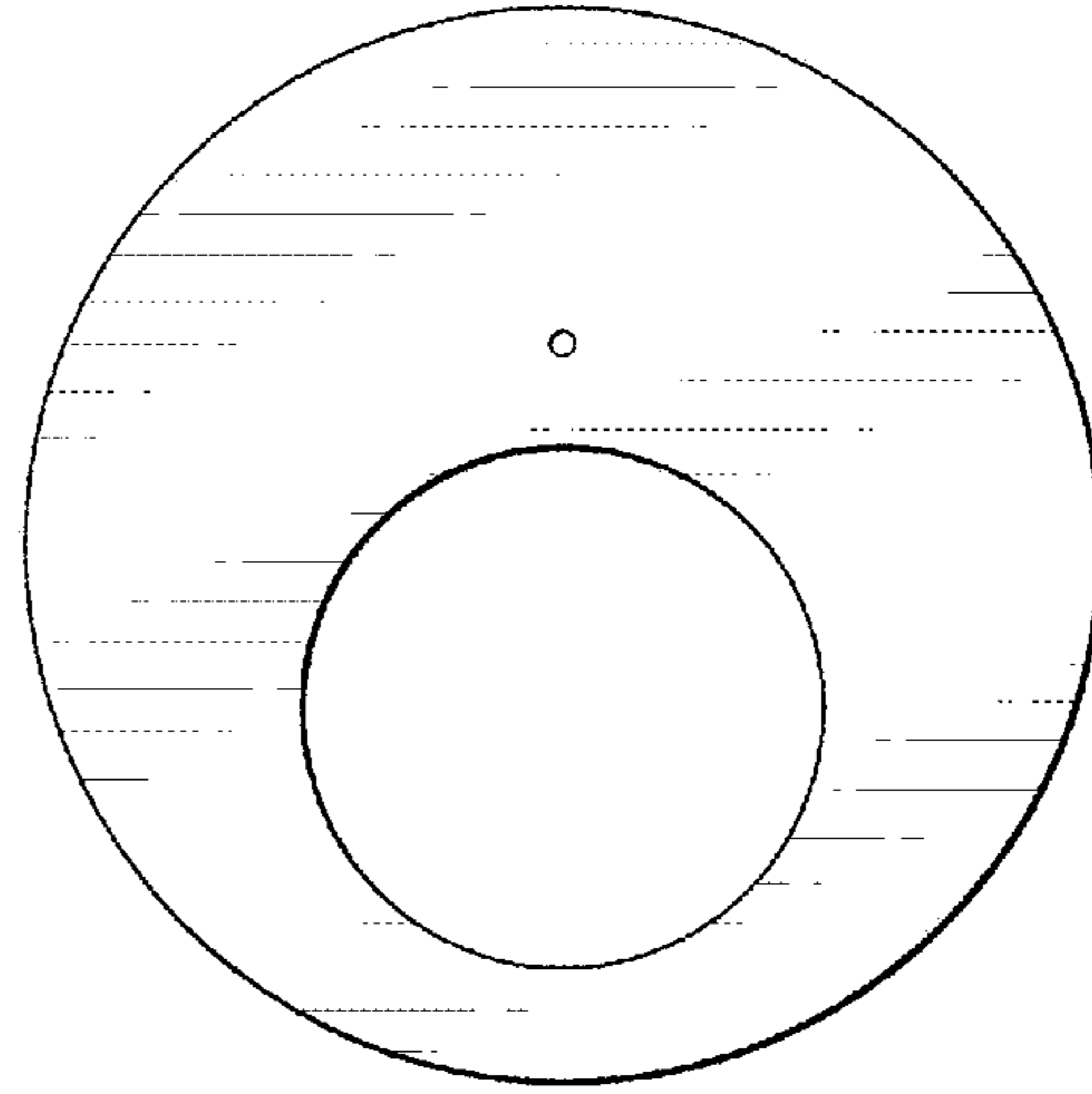


Fig. 2

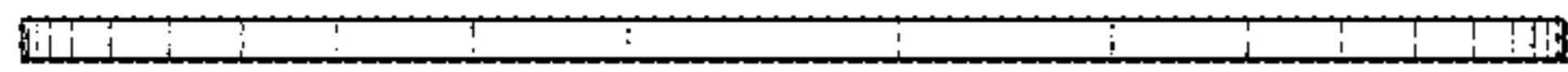


Fig. 3

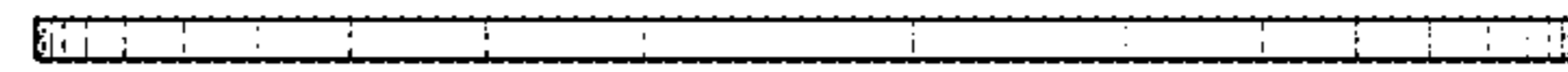


Fig. 4

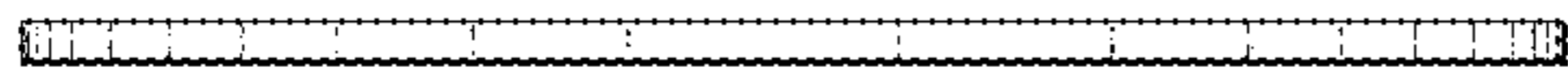


Fig. 5

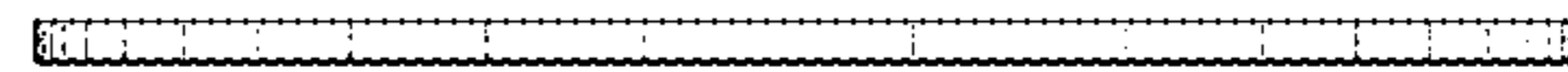


Fig. 6

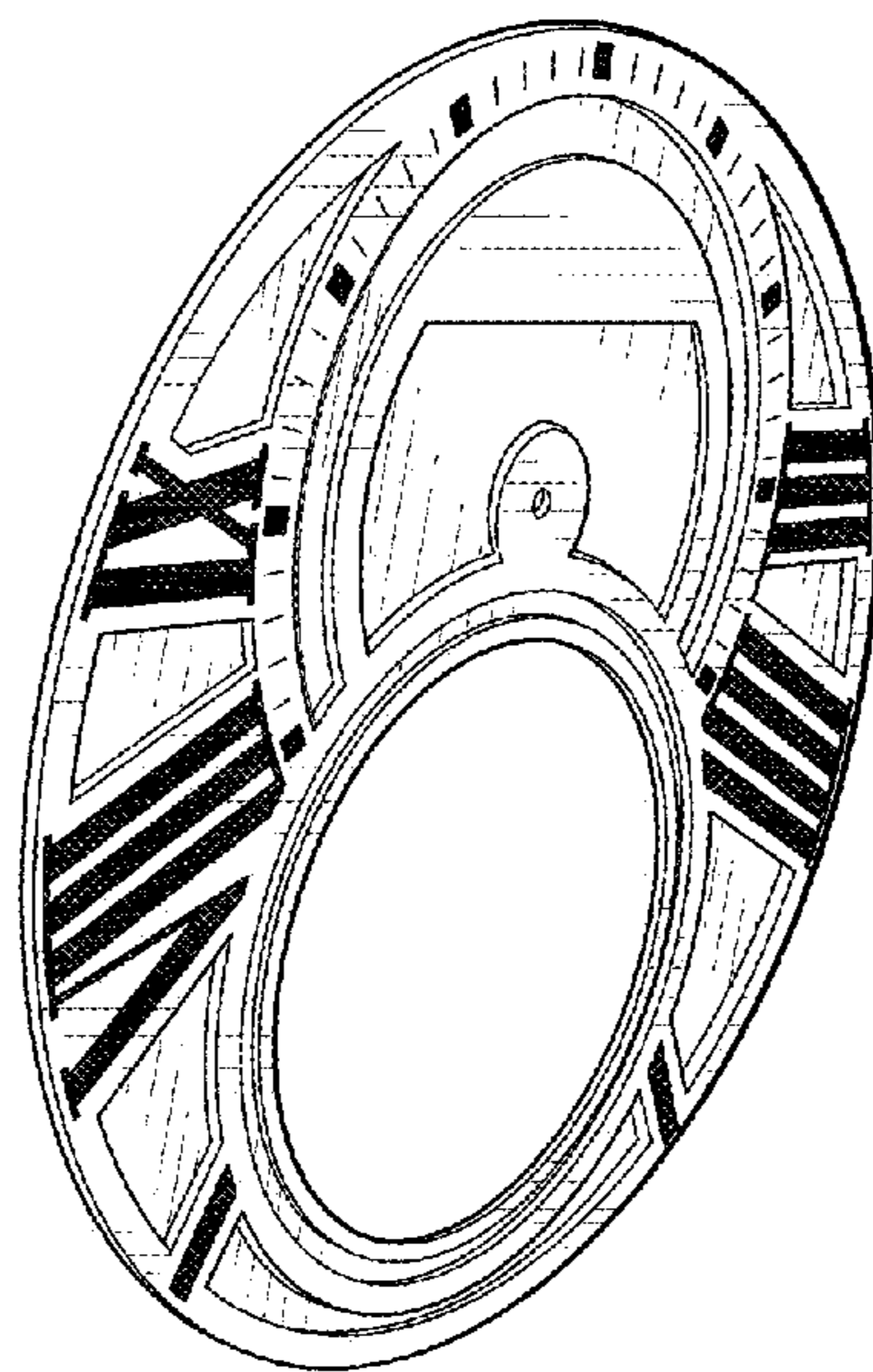


Fig. 7