



US00D698685S

(12) **United States Design Patent**  
**Sayegh et al.**

(10) **Patent No.:** **US D698,685 S**  
(45) **Date of Patent:** **\*\* Feb. 4, 2014**

(54) **THEFT DETERRENT APPARATUS WITH  
REMOVABLE PIN**

(71) Applicants: **Adel O. Sayegh**, Rancho Cucamonga,  
CA (US); **Edgardo M. Redublo**, Chino  
Hills, CA (US); **Guohua Yu**, Hangzhou  
(CN)

(72) Inventors: **Adel O. Sayegh**, Rancho Cucamonga,  
CA (US); **Edgardo M. Redublo**, Chino  
Hills, CA (US); **Guohua Yu**, Hangzhou  
(CN)

(73) Assignee: **Universal Surveillance Systems, LLC**,  
Rancho Cucamonga, CA (US)

(\*\*) Term: **14 Years**

(21) Appl. No.: **29/439,893**

(22) Filed: **Dec. 17, 2012**

(51) **LOC (10) Cl.** ..... **10-05**

(52) **U.S. Cl.**  
USPC ..... **D10/106.91**

(58) **Field of Classification Search**  
USPC ..... D10/106.9-10.94; 70/57.1  
See application file for complete search history.

(56) **References Cited**

**U.S. PATENT DOCUMENTS**

3,911,534 A	10/1975	Martens et al.
4,299,040 A	11/1981	Minasy
4,531,264 A	7/1985	Minasy
4,590,461 A	5/1986	Cooper
4,944,075 A	7/1990	Hogan
4,987,754 A	1/1991	Minasy et al.
5,031,287 A	7/1991	Charlot et al.
5,054,172 A	10/1991	Hogan et al.
5,069,047 A	12/1991	Lynch et al.
5,095,596 A	3/1992	Dahood
5,205,024 A	4/1993	Willard
5,208,580 A	5/1993	Crossfield
D344,033 S	2/1994	Davidge

D346,126 S	4/1994	Hedrikx	
5,309,470 A	5/1994	Hansen	
5,347,262 A	9/1994	Thurmond et al.	
D352,913 S	11/1994	Garner et al.	
D353,115 S	12/1994	Garner et al.	
D356,044 S	3/1995	Clements	
D388,722 S	1/1998	Wilson	
D392,574 S	3/1998	Spagna	
D398,871 S	9/1998	Salami	
D399,445 S	10/1998	Camano	
D424,462 S *	5/2000	Suzuki et al.	..... D10/106.9
D427,929 S	7/2000	Sayegh	

(Continued)

*Primary Examiner* — George D Kirschbaum

(74) *Attorney, Agent, or Firm* — Milord A. Keshishian

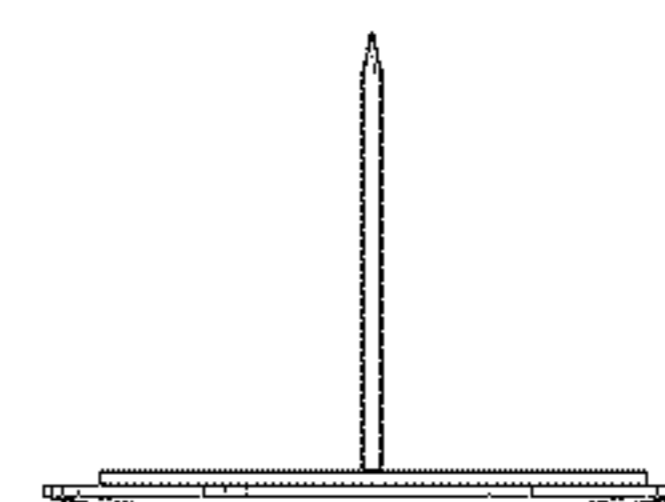
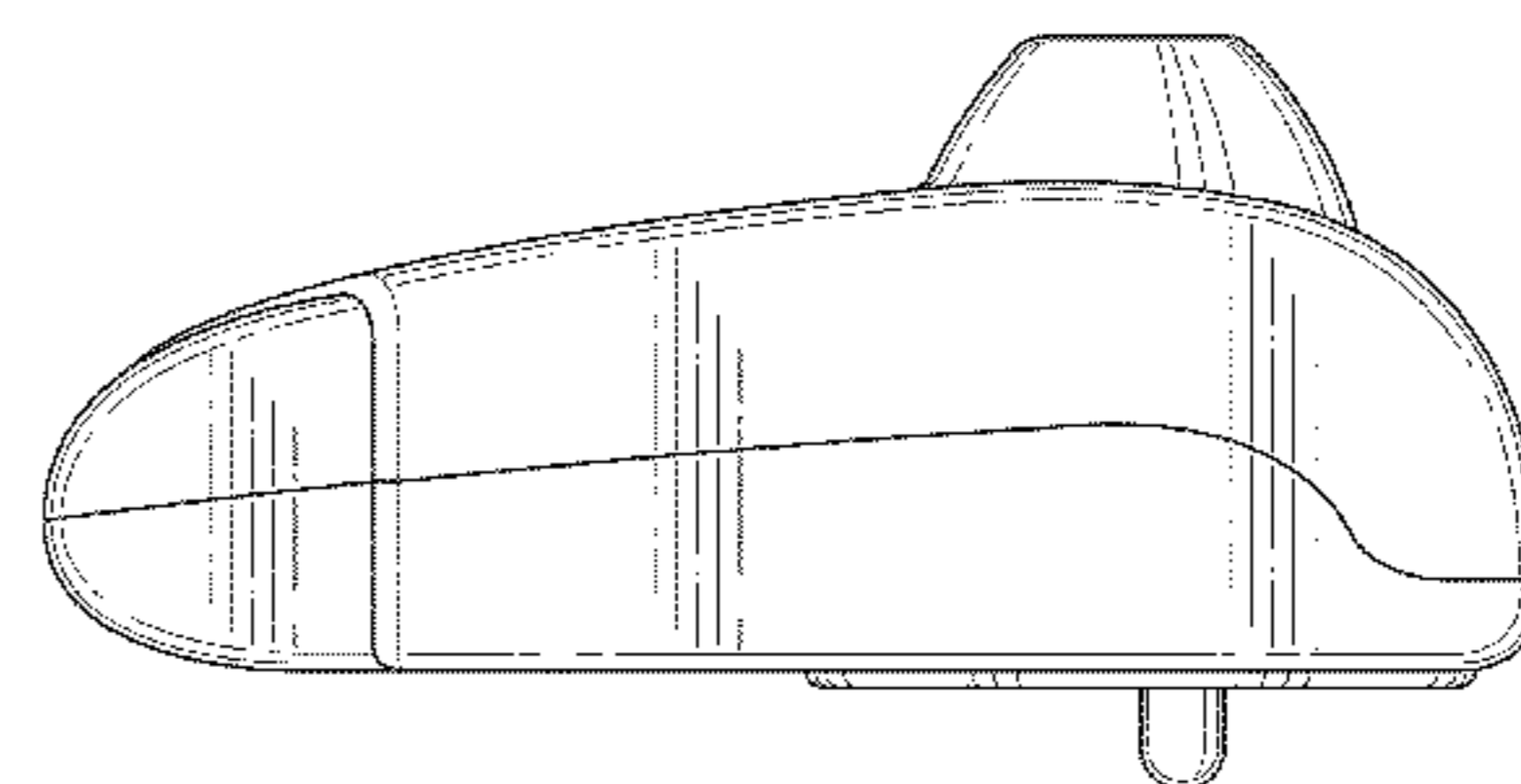
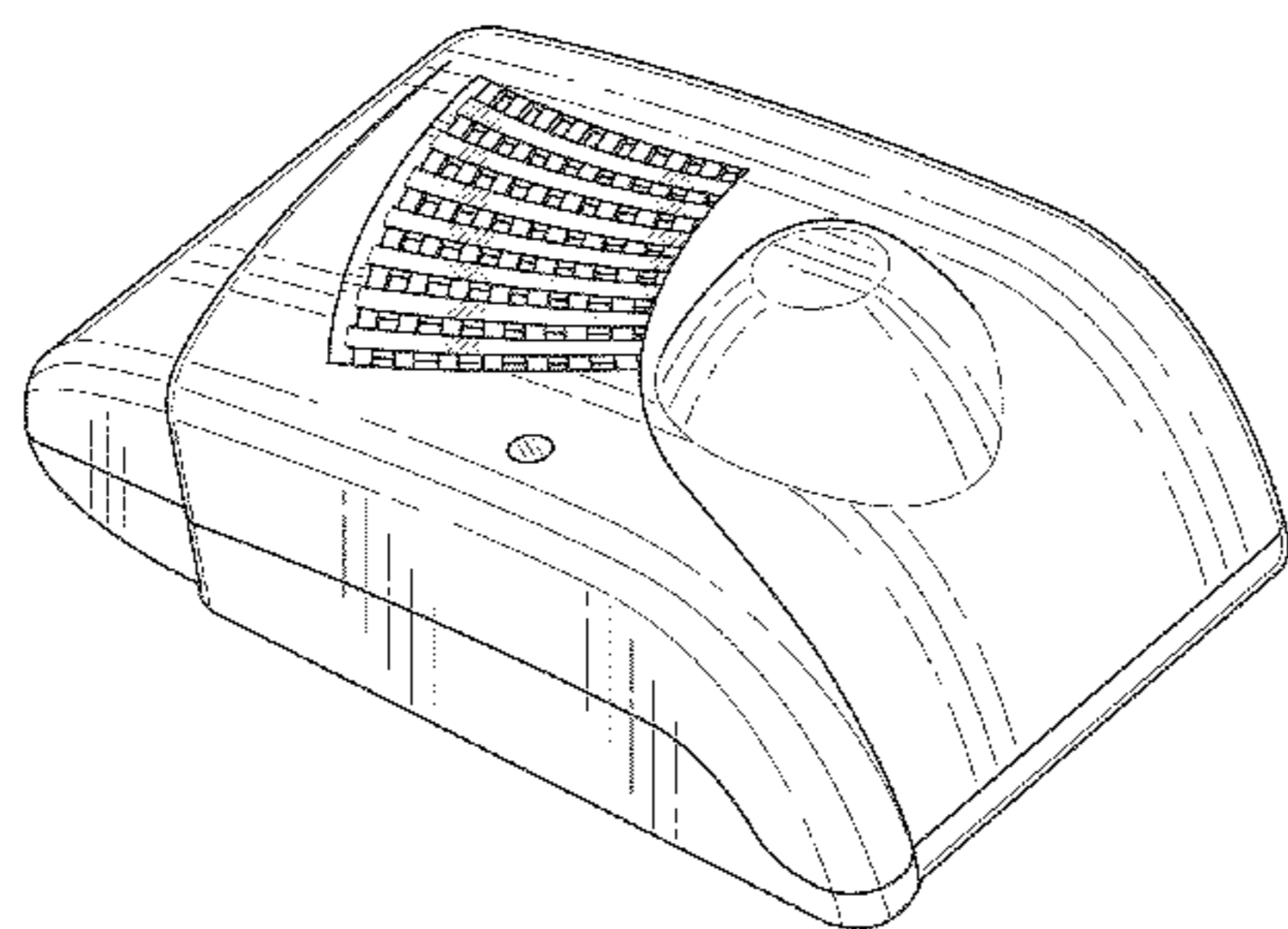
(57) **CLAIM**

The ornamental design for a theft deterrent apparatus with removable pin, as shown and described.

**DESCRIPTION**

FIG. 1 is a top perspective view of the theft deterrent apparatus in an engaged state;  
 FIG. 2 is a top plan view of the apparatus in an engaged state;  
 FIG. 3 is a bottom plan view of the of the apparatus in an engaged state;  
 FIG. 4 is a right side plan view of the apparatus in an engaged state;  
 FIG. 5 is a left side plan view of the apparatus in an engaged state;  
 FIG. 6 is a front plan view of the apparatus in an engaged state;  
 FIG. 7 is a back plan view of the apparatus in an engaged state;  
 FIG. 8 is a top exploded perspective view of the apparatus in an unengaged state;  
 FIG. 9 is a right exploded plan view of the apparatus in an unengaged state;  
 FIG. 10 is a front exploded plan view of the apparatus in an unengaged state; and,  
 FIG. 11 is a bottom exploded plan view of the apparatus is an unengaged state.

**1 Claim, 8 Drawing Sheets**



(56)

**References Cited**

U.S. PATENT DOCUMENTS

6,121,878	A	9/2000	Brady et al.	7,073,236	B2	7/2006	Xue et al.
D432,442	S	10/2000	Sayegh	7,400,254	B2	7/2008	Yang et al.
6,255,950	B1	7/2001	Nguyen	7,474,222	B2	1/2009	Yang et al.
D460,012	S	7/2002	Proulx et al.	D593,451	S	6/2009	Sayegh
D466,426	S	12/2002	Proulx et al.	7,633,396	B2	12/2009	Lynce et al.
7,062,823	B2	6/2006	Copen et al.	7,652,574	B2	1/2010	Sayegh
				D625,637	S	10/2010	Sayegh
				2002/0158762	A1	10/2002	Nguyen et al.
				2007/0067971	A1	3/2007	Nguyen et al.

\* cited by examiner

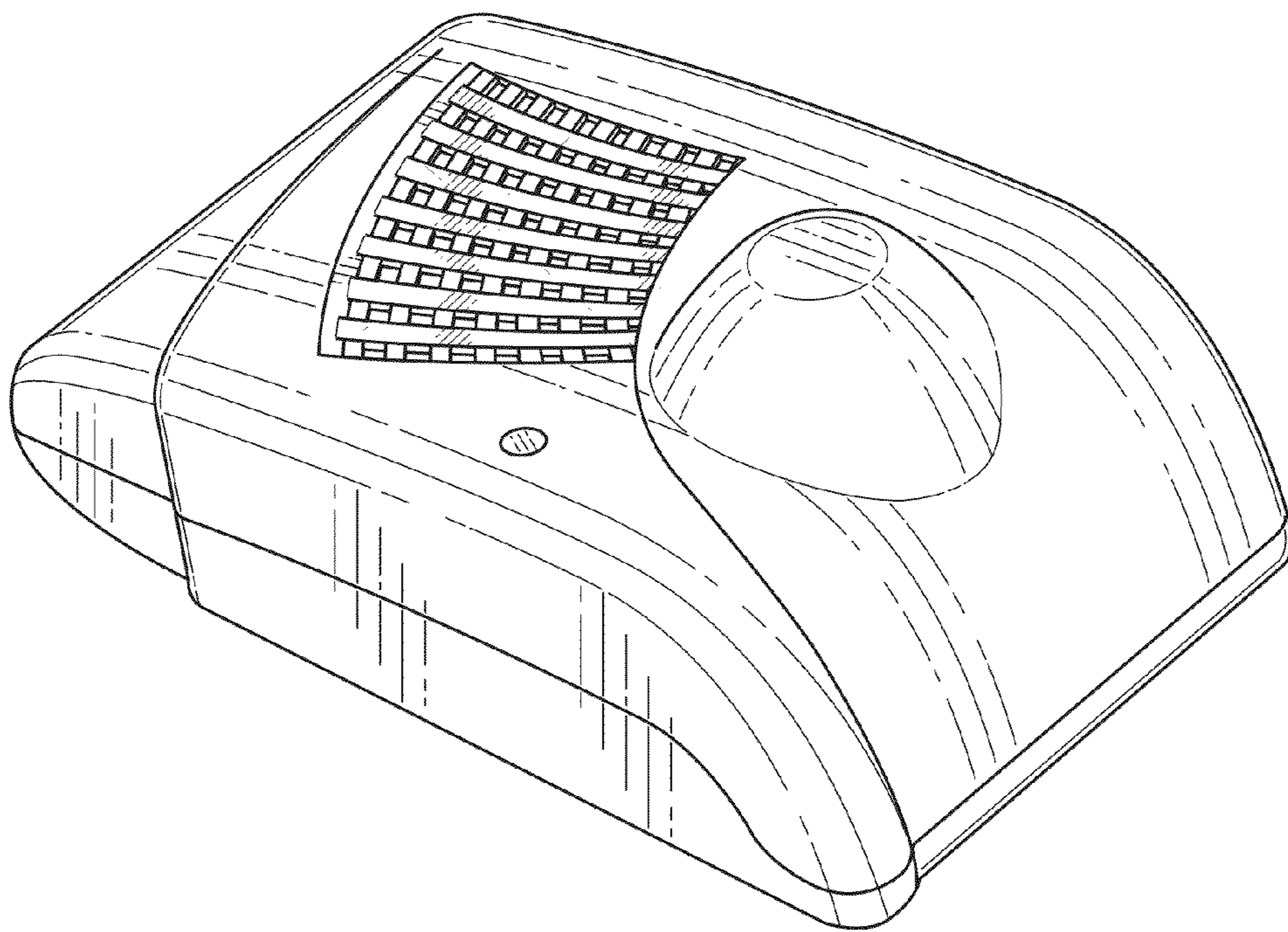


FIG. 1

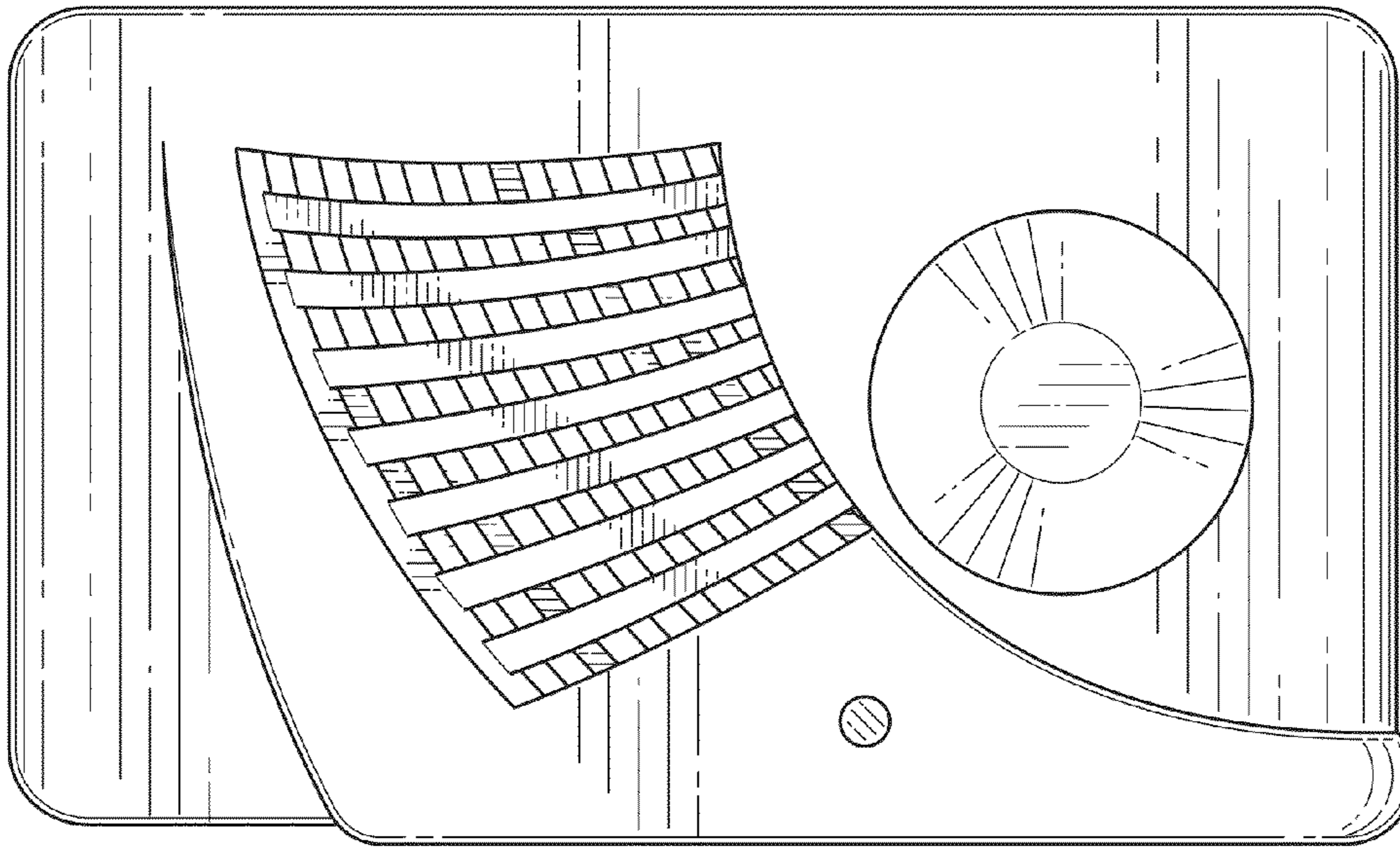


FIG. 2

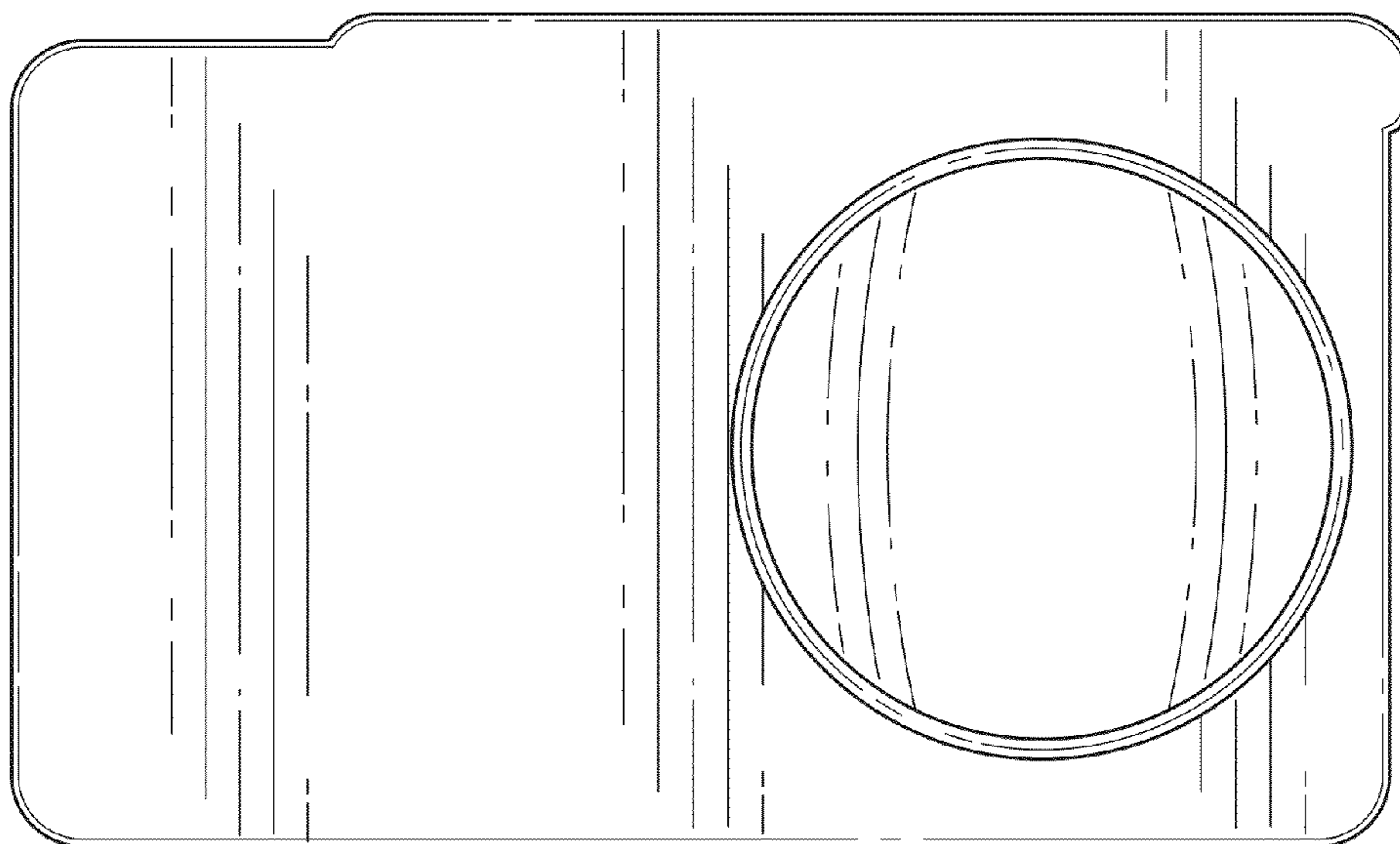


FIG. 3

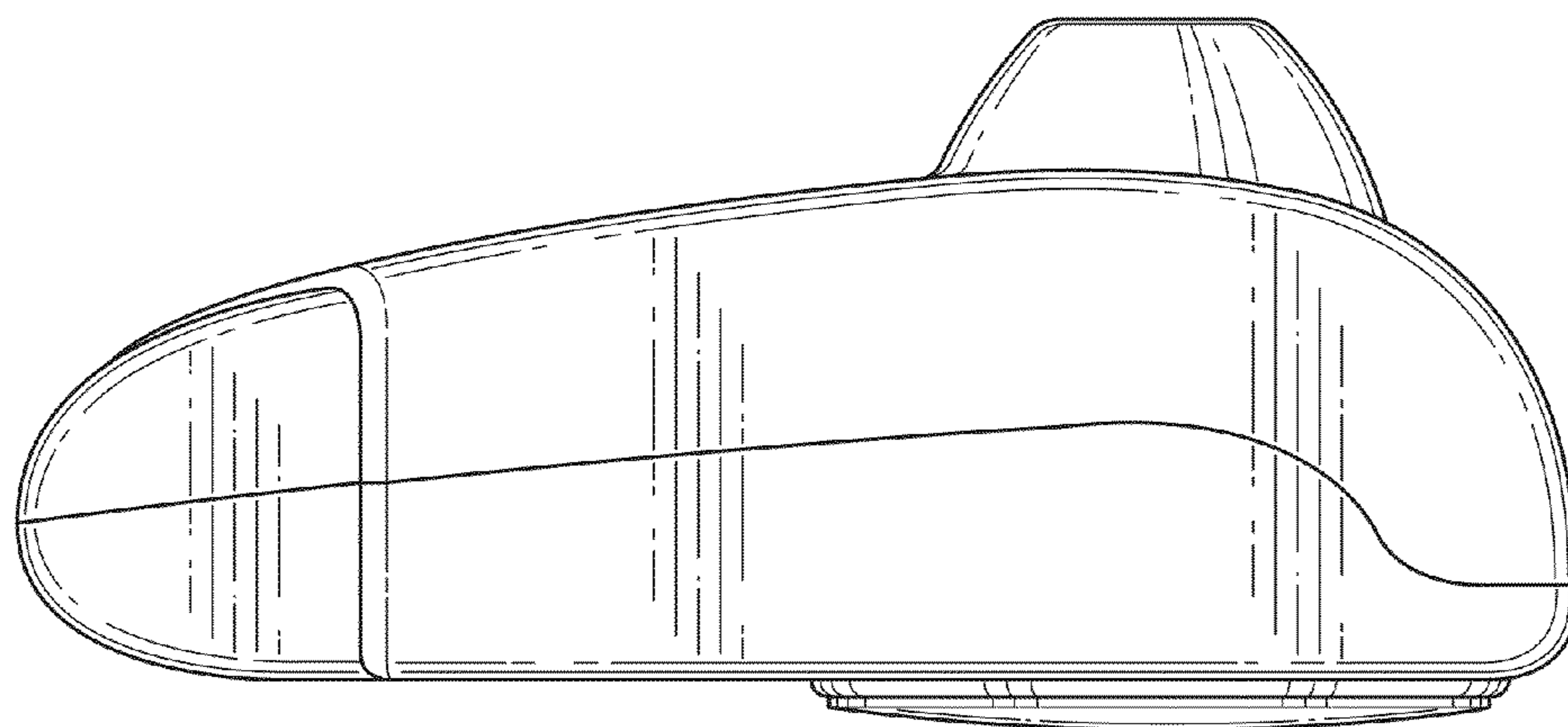


FIG. 4

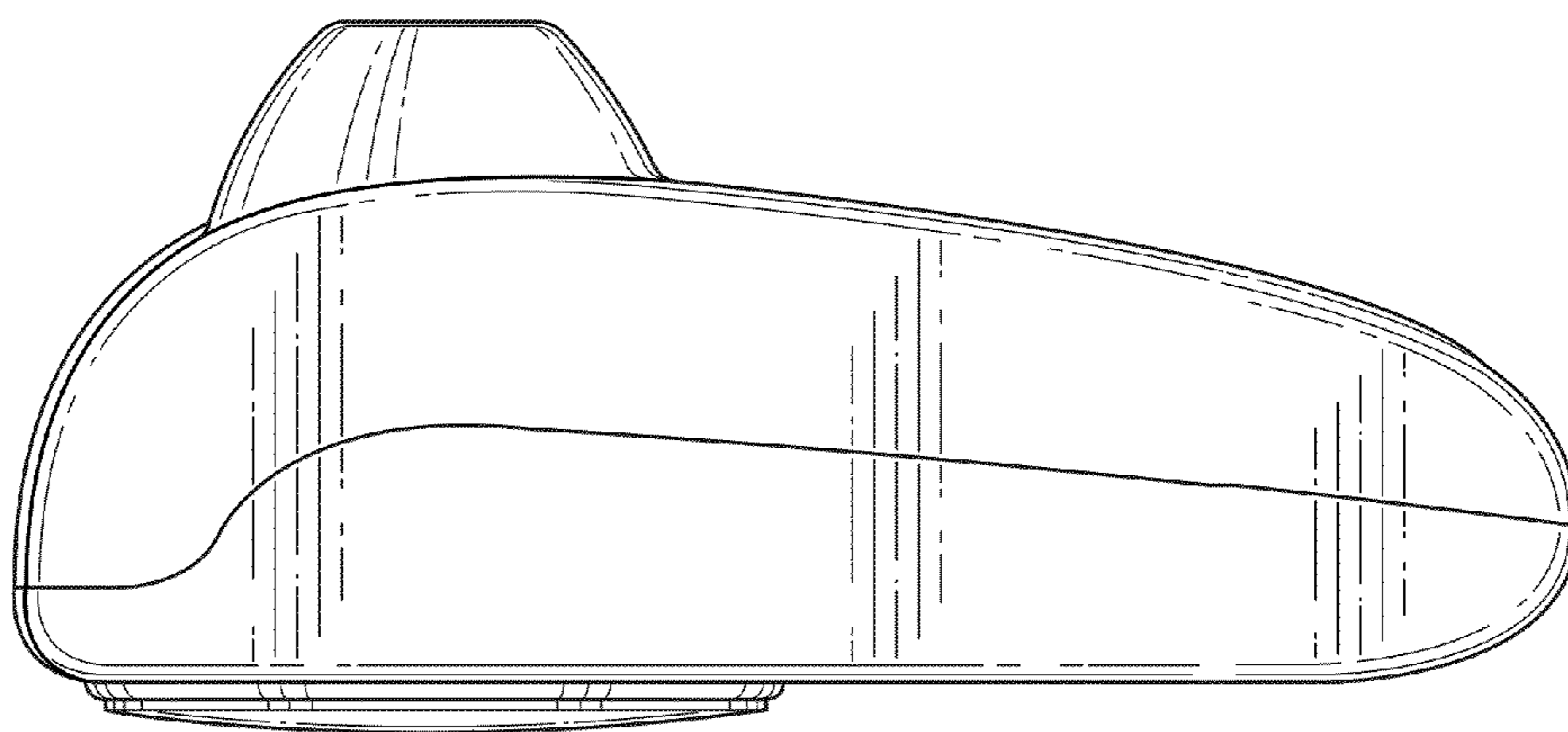


FIG. 5

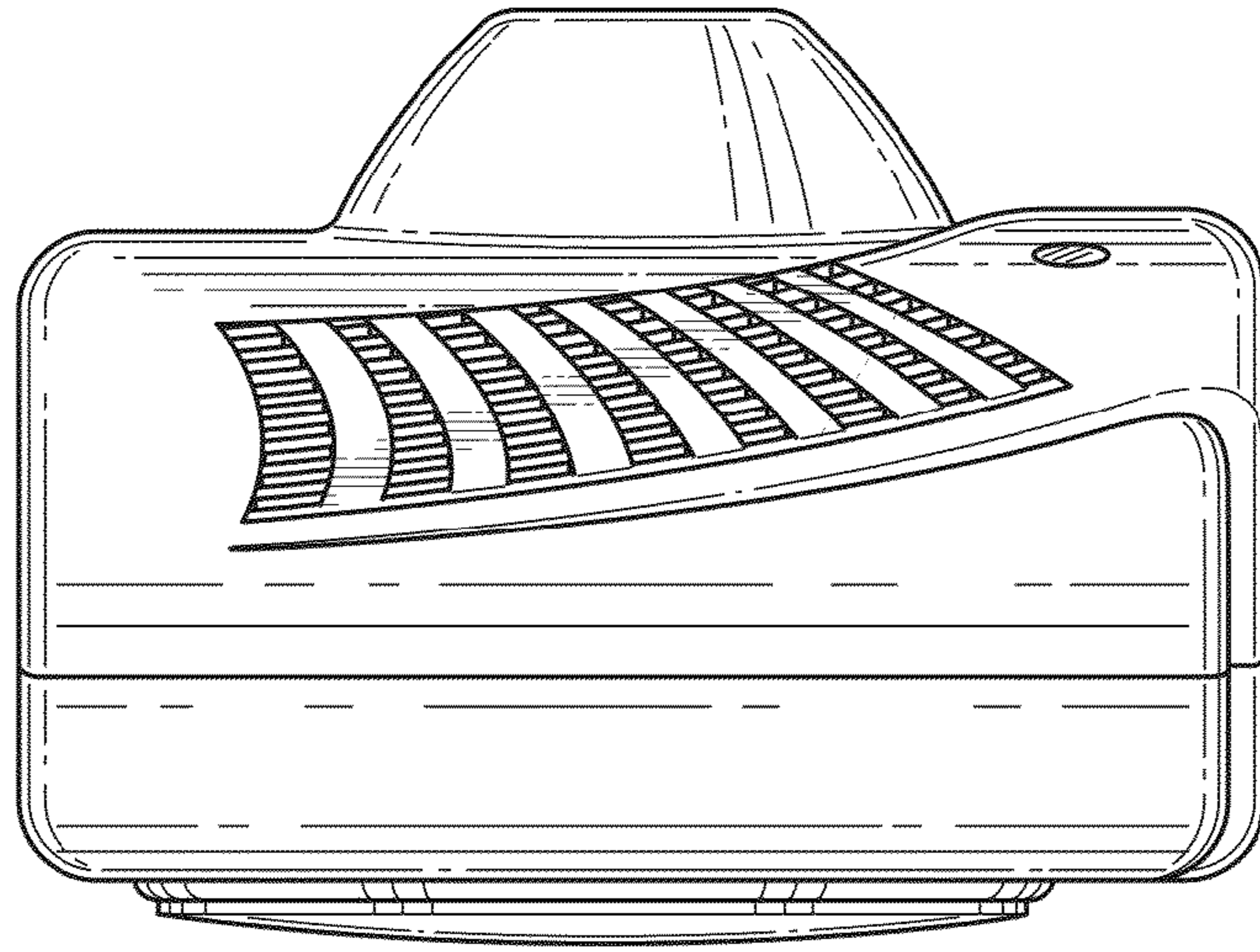


FIG. 6

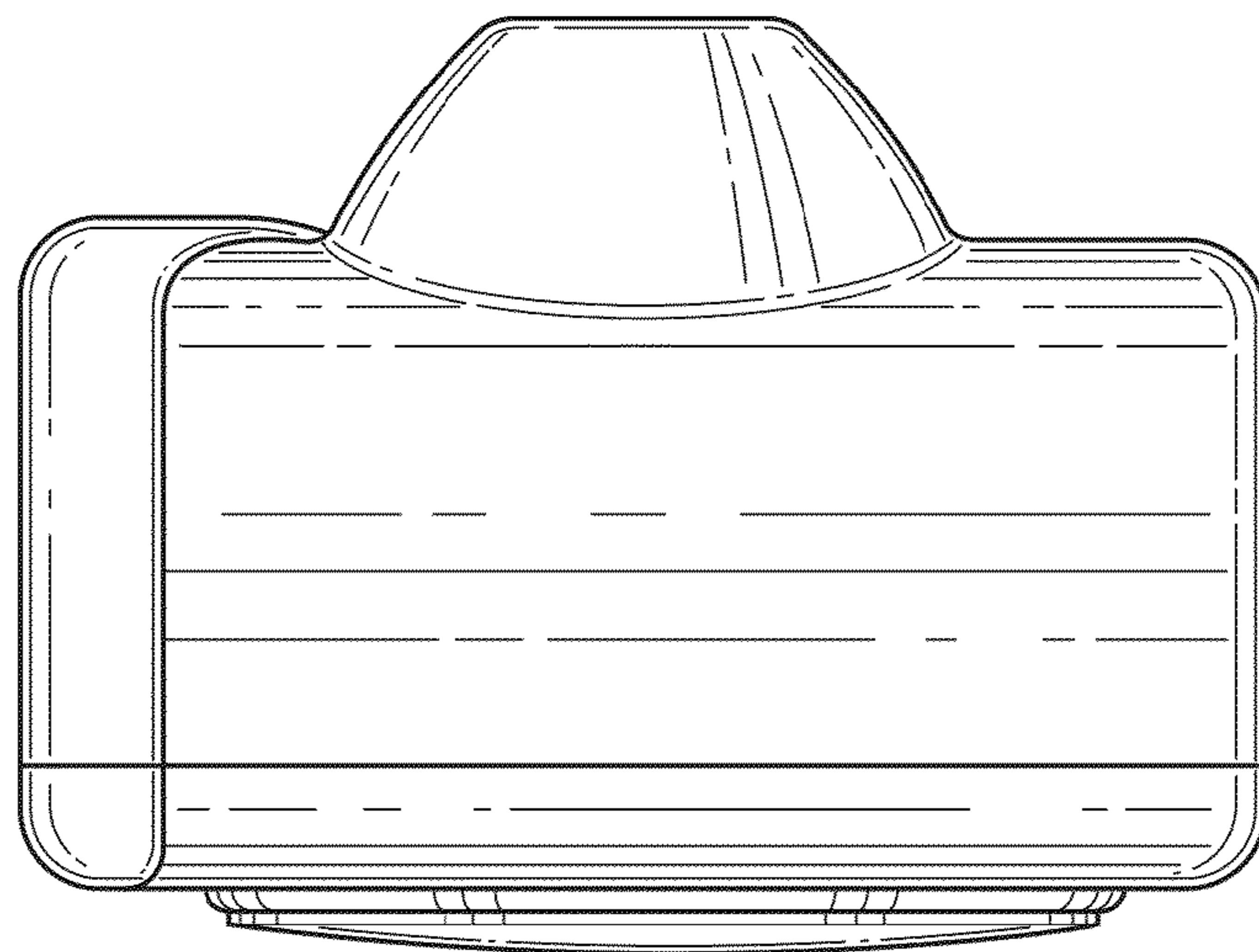


FIG. 7

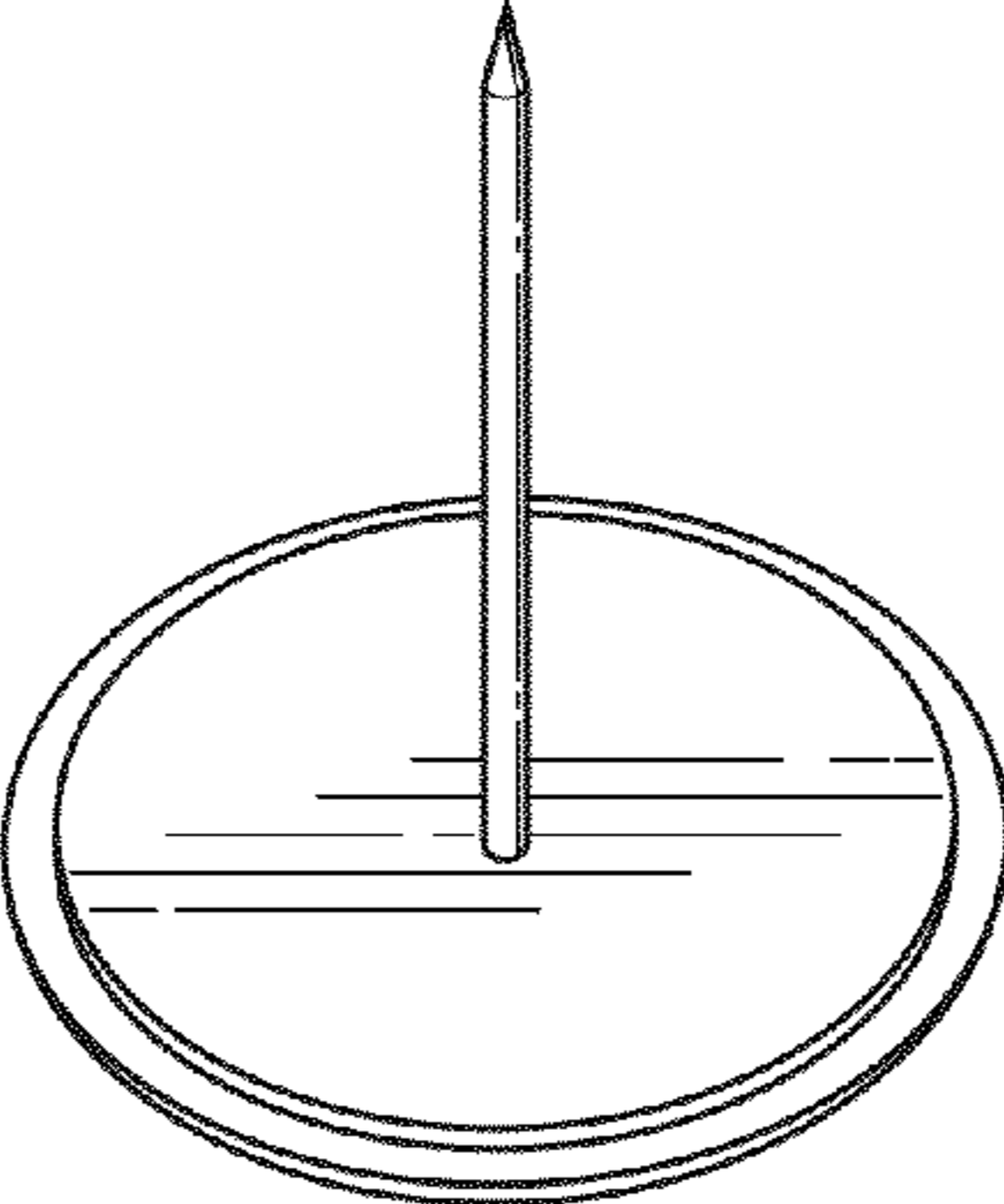
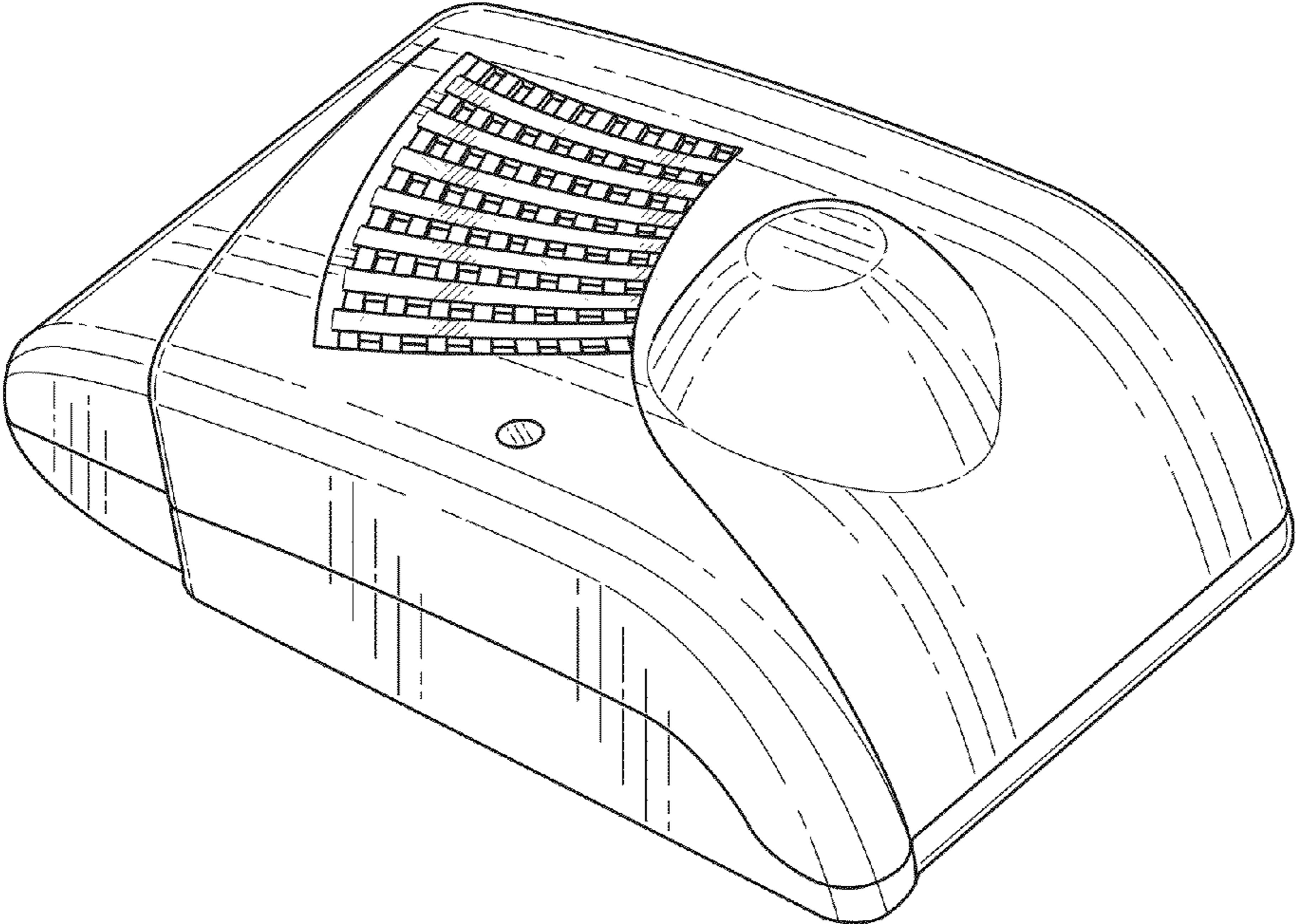
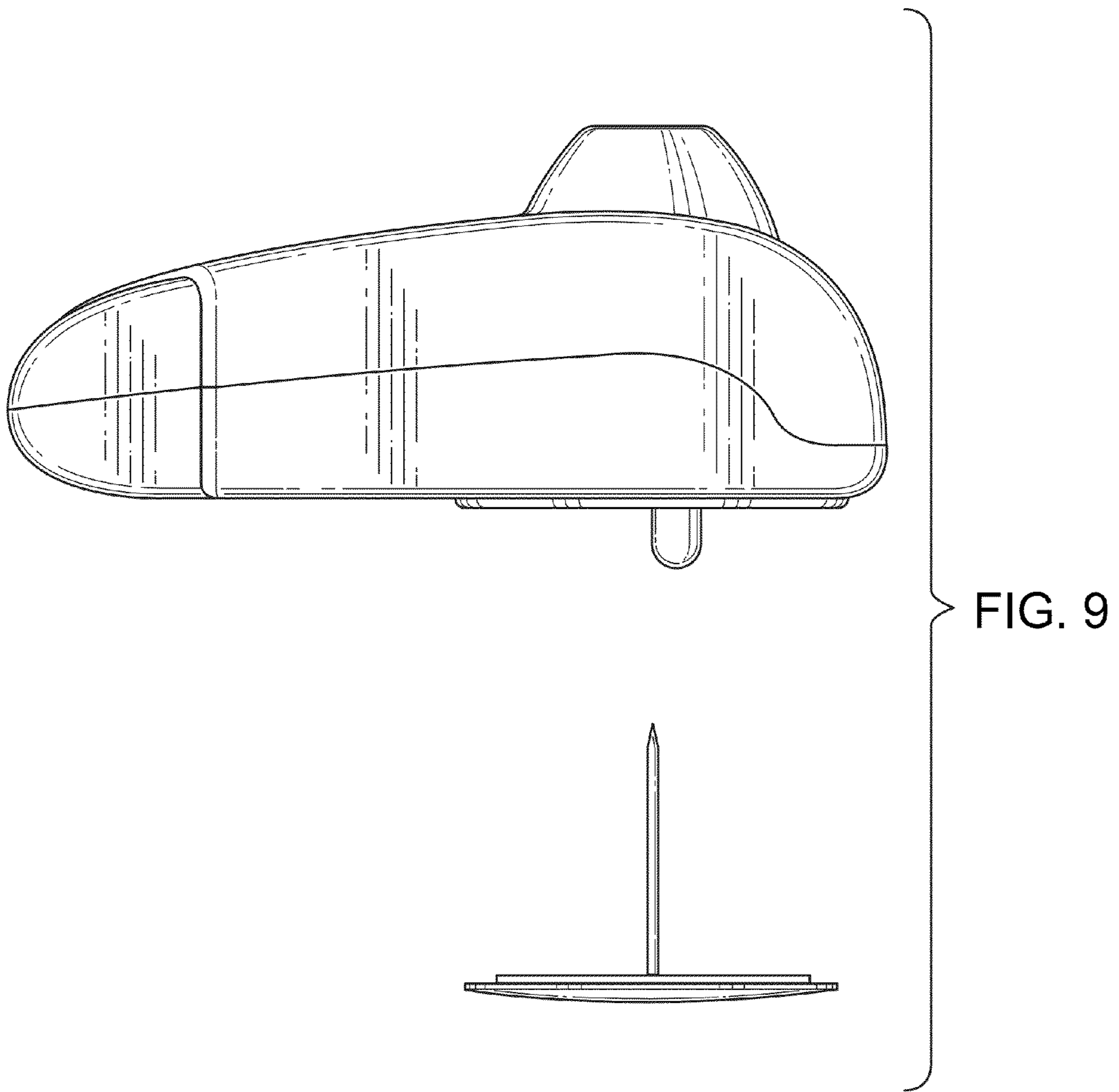


FIG. 8





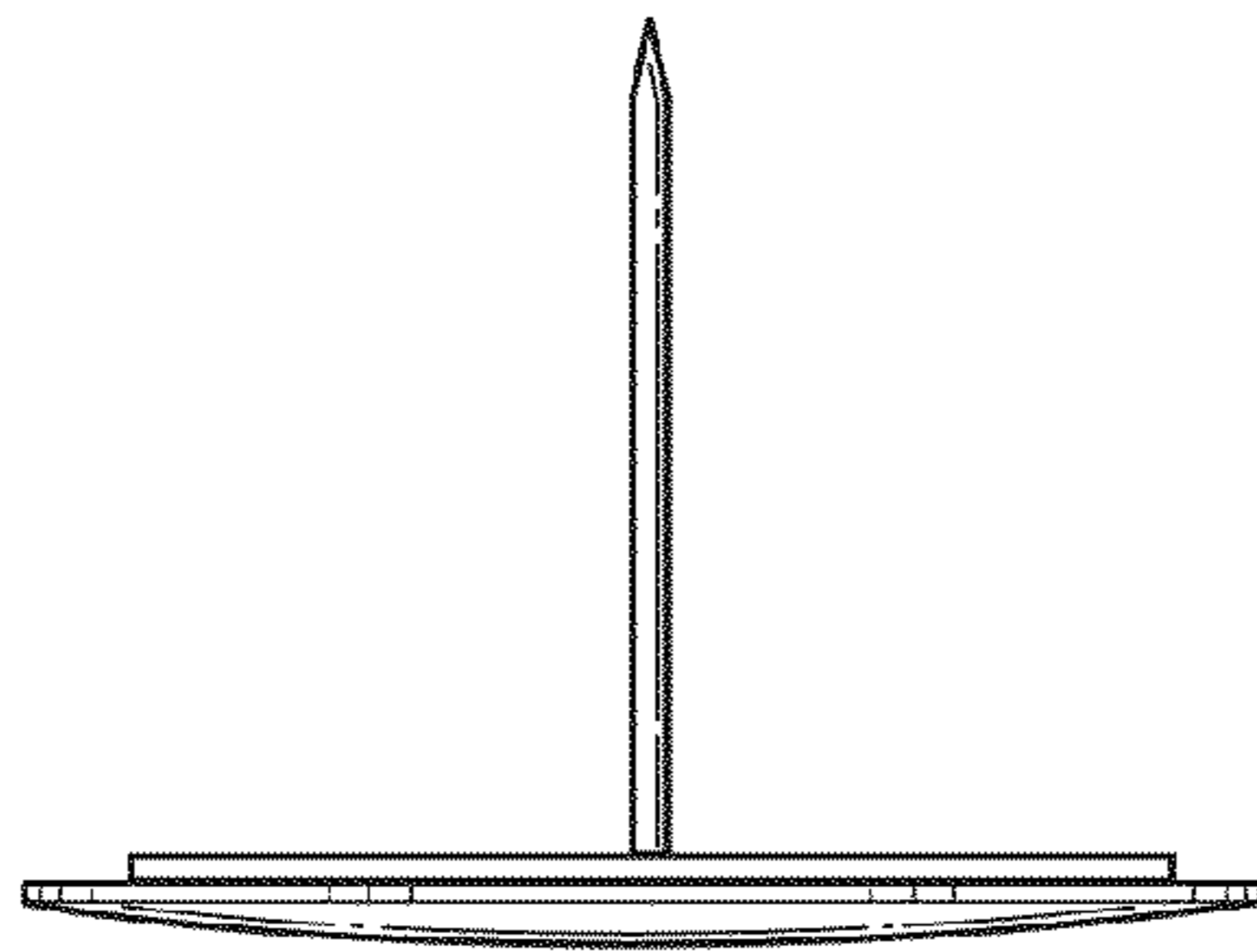
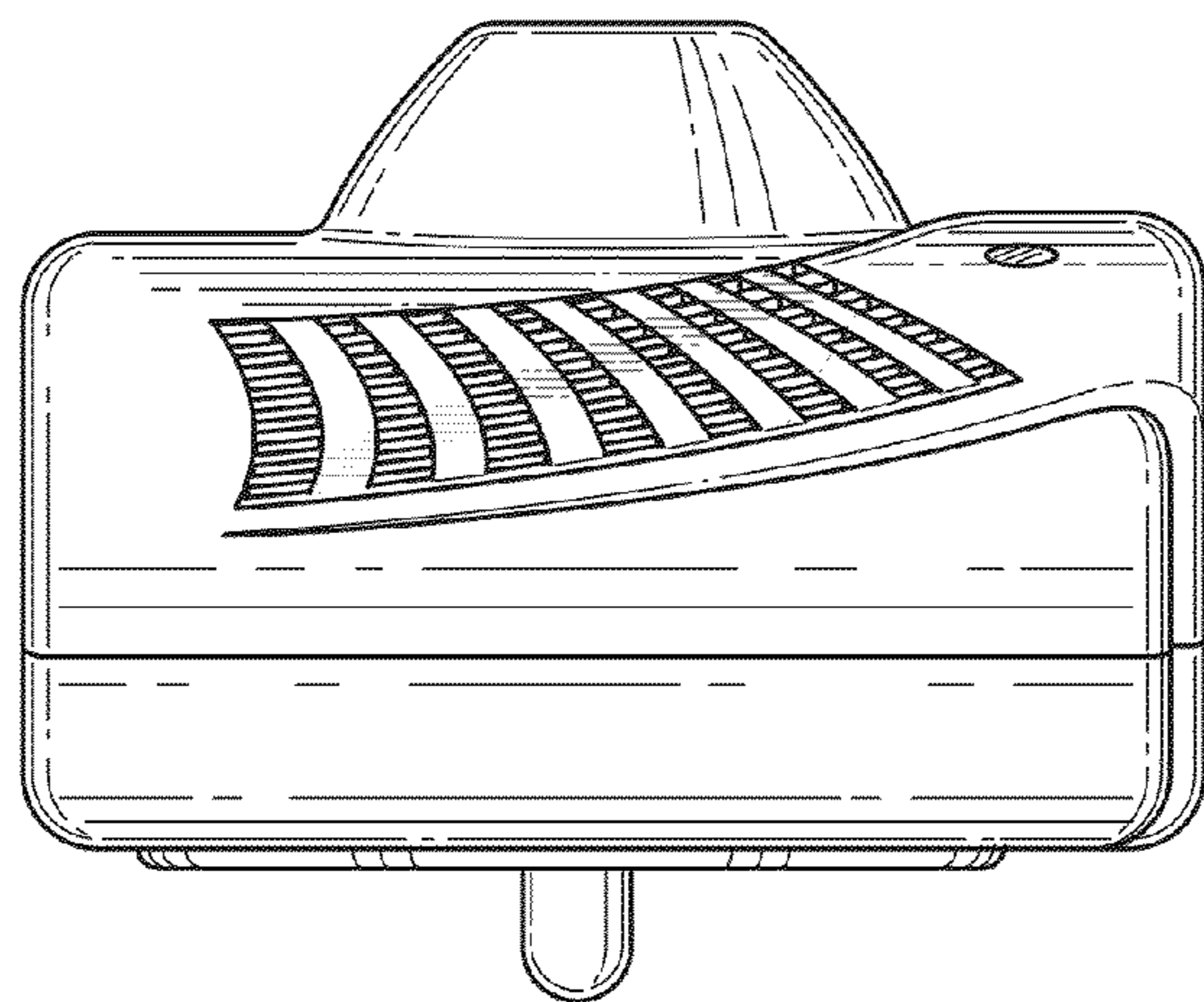


FIG. 10

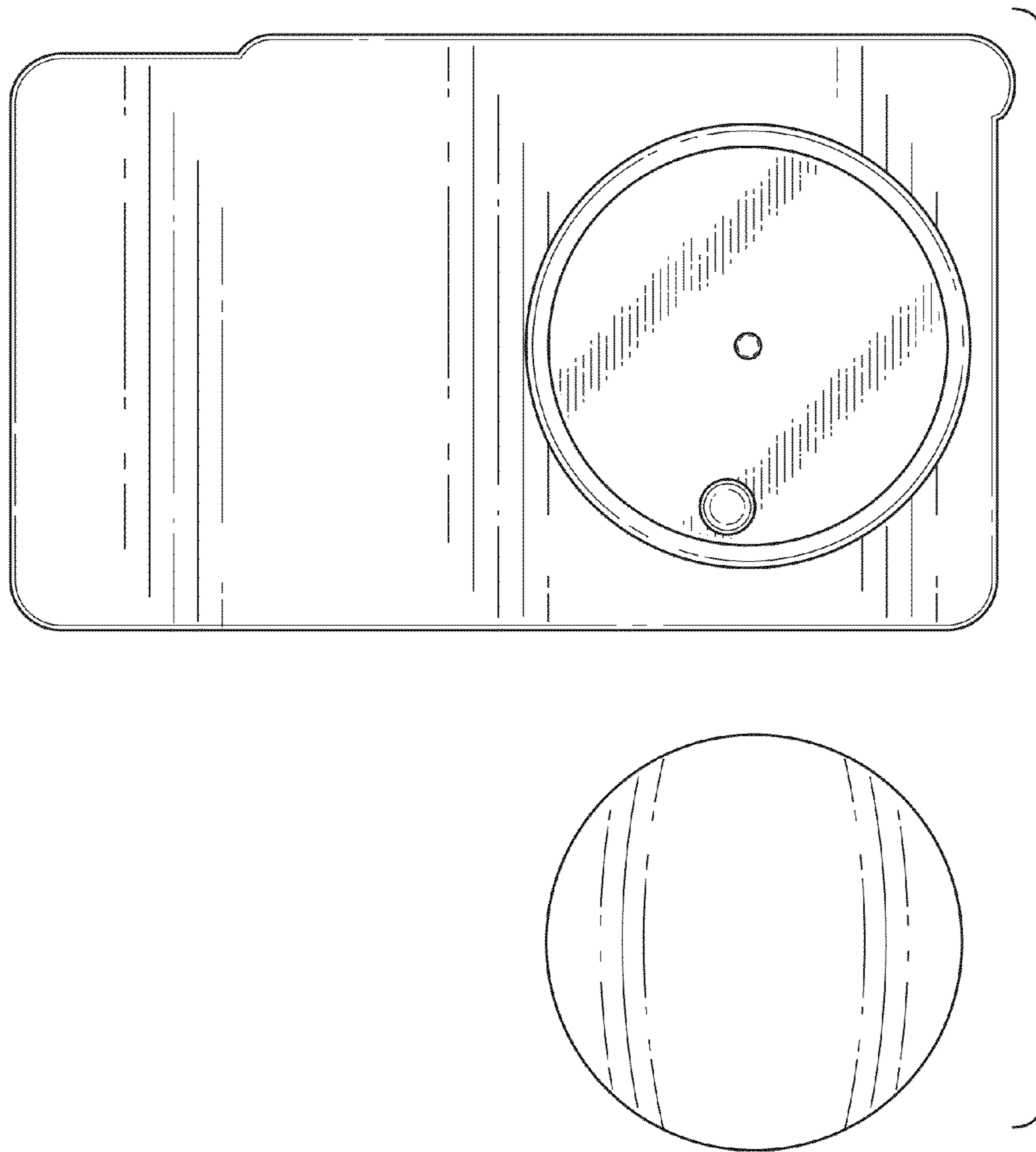


FIG. 11