



US00D698684S

(12) **United States Design Patent**  
**Kozlowski, Jr. et al.**

(10) **Patent No.:** **US D698,684 S**  
(45) **Date of Patent:** **\*\* Feb. 4, 2014**

(54) **SECURITY TAG**

(71) Applicant: **Checkpoint Systems, Inc.**, Thorofare,  
NJ (US)

(72) Inventors: **William Jacob Kozlowski, Jr.**, Waxaw,  
NC (US); **Matthew R. Shute**,  
Huntersville, NC (US)

(73) Assignee: **Checkpoints Systems, Inc.**

(\*\*) Term: **14 Years**

(21) Appl. No.: **29/459,342**

(22) Filed: **Jun. 28, 2013**

(51) **LOC (10) Cl.** ..... **10-05**

(52) **U.S. Cl.**  
USPC ..... **D10/106.9**

(58) **Field of Classification Search**  
USPC ..... D10/106.9-10.94, 104.1; 70/57.1;  
D3/208; D13/168; D8/347; D14/218,  
D14/230; 343/797

See application file for complete search history.

(56) **References Cited**

U.S. PATENT DOCUMENTS

D589,828 S *	4/2009	Dokai et al. ....	D10/106.9
D611,038 S *	3/2010	Deguchi et al. ....	D14/230
D621,819 S *	8/2010	Tsai et al. ....	D14/230
D659,684 S *	5/2012	Karakama et al. ....	D14/230
2008/0291106 A1 *	11/2008	Kai et al. ....	343/797

\* cited by examiner

*Primary Examiner* — George D Kirschbaum

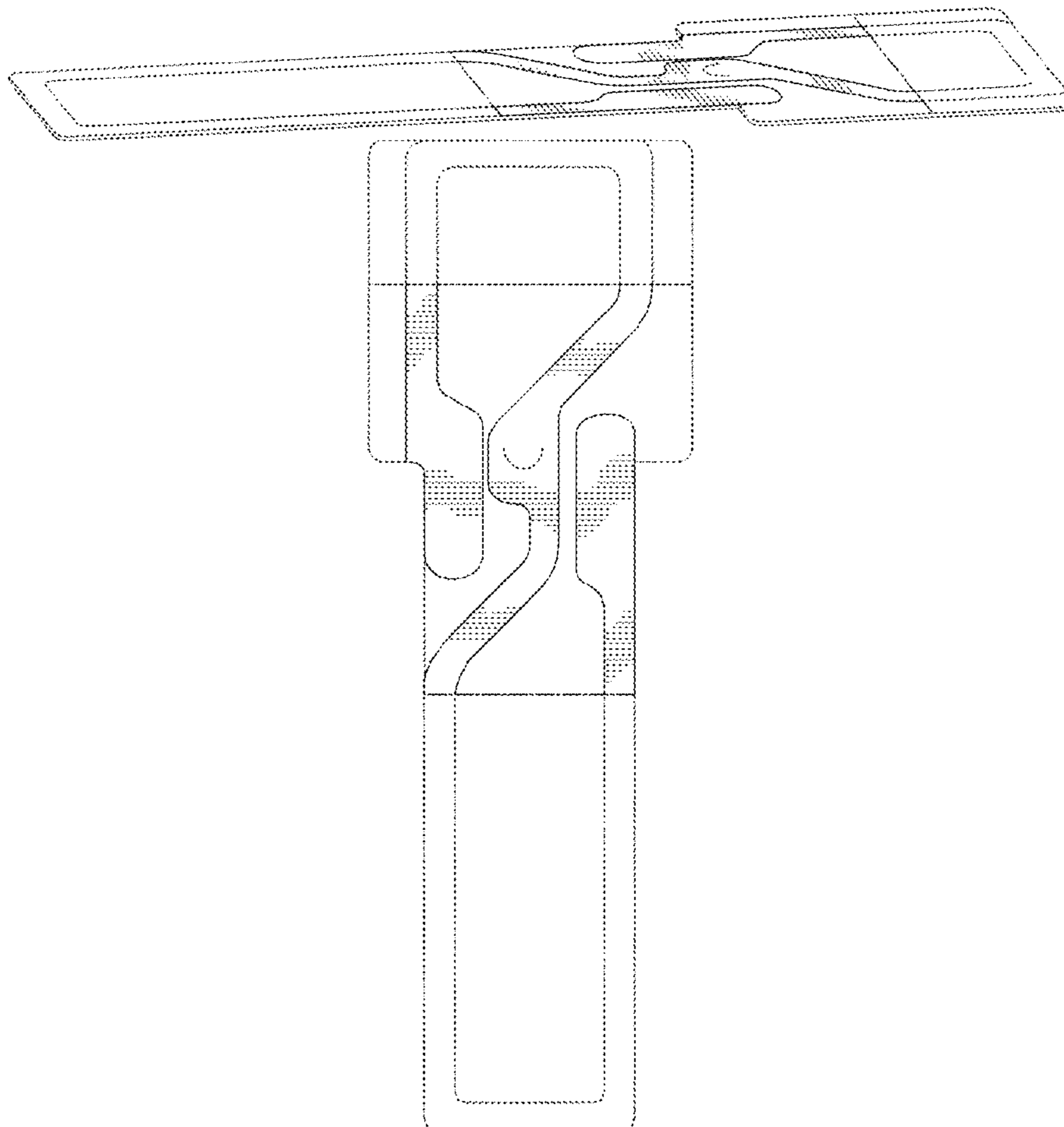
(57) **CLAIM**

The ornamental design for a security tag, as shown and described.

**DESCRIPTION**

FIG. 1 is a perspective view of a security tag showing our new design; and,  
FIG. 2 is a top view of the security tag of FIG. 1.  
The broken lines of FIGS. 1-2 are illustrative of the visible environmental structure of the security tag and form no part of the claimed design.  
The dash-dot-dash lines represent the boundary of the claimed design.

**1 Claim, 2 Drawing Sheets**



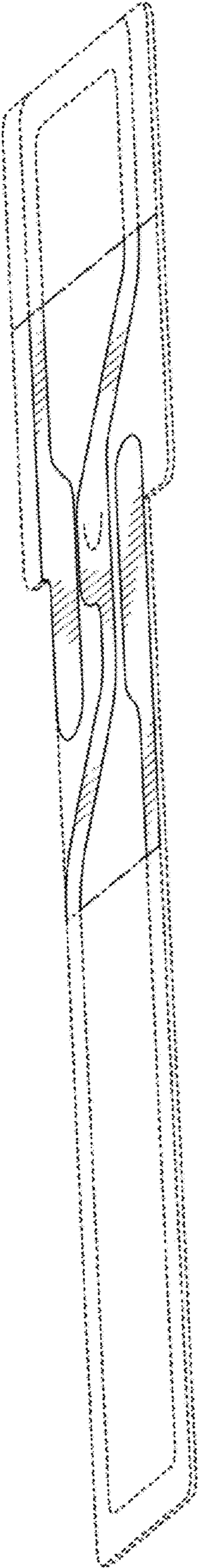


FIG. 1

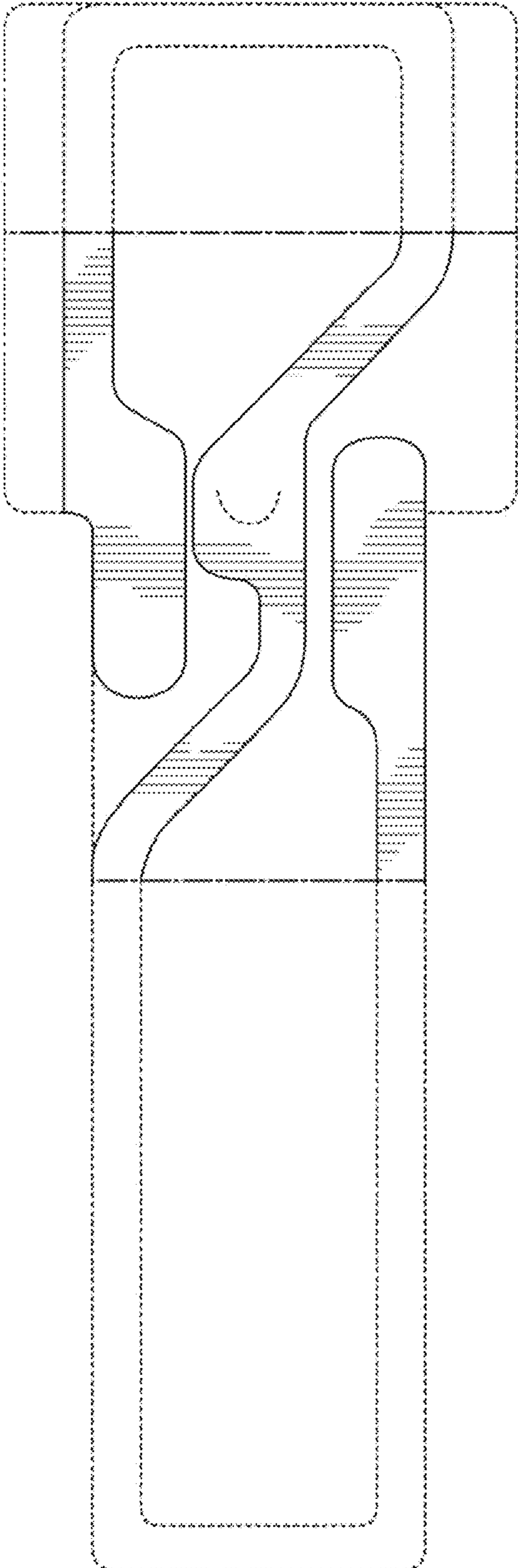


FIG. 2