

US00D698682S

(12) **United States Design Patent**
Kosloski

(10) **Patent No.:** **US D698,682 S**
(45) **Date of Patent:** **** Feb. 4, 2014**

- (54) **UMBILICAL TAG ENCLOSURE**
- (71) Applicant: **Mark Kosloski**, Jackson, NJ (US)
- (72) Inventor: **Mark Kosloski**, Jackson, NJ (US)
- (73) Assignee: **BridgeRFID, LLC**, Freehold, NJ (US)
- (**) Term: **14 Years**
- (21) Appl. No.: **29/443,934**
- (22) Filed: **Jan. 24, 2013**
- (51) **LOC (10) Cl.** **10-05**
- (52) **U.S. Cl.**
USPC **D10/106.9**
- (58) **Field of Classification Search**
USPC D10/104.1; 70/57.1; 150/154; 235/492;
24/704.2; 340/572.9; 81/3.07
See application file for complete search history.

2010/0282380	A1 *	11/2010	Layrana Fernandez	150/154
2012/0267436	A1 *	10/2012	Yang	235/492
2012/0318027	A1 *	12/2012	Shute et al.	70/15
2013/0249301	A1 *	9/2013	Smoot et al.	307/104

* cited by examiner

Primary Examiner — George D Kirschbaum
(74) *Attorney, Agent, or Firm* — Timothy X. Gibson, Esq.;
Gibson & Dernier LLP

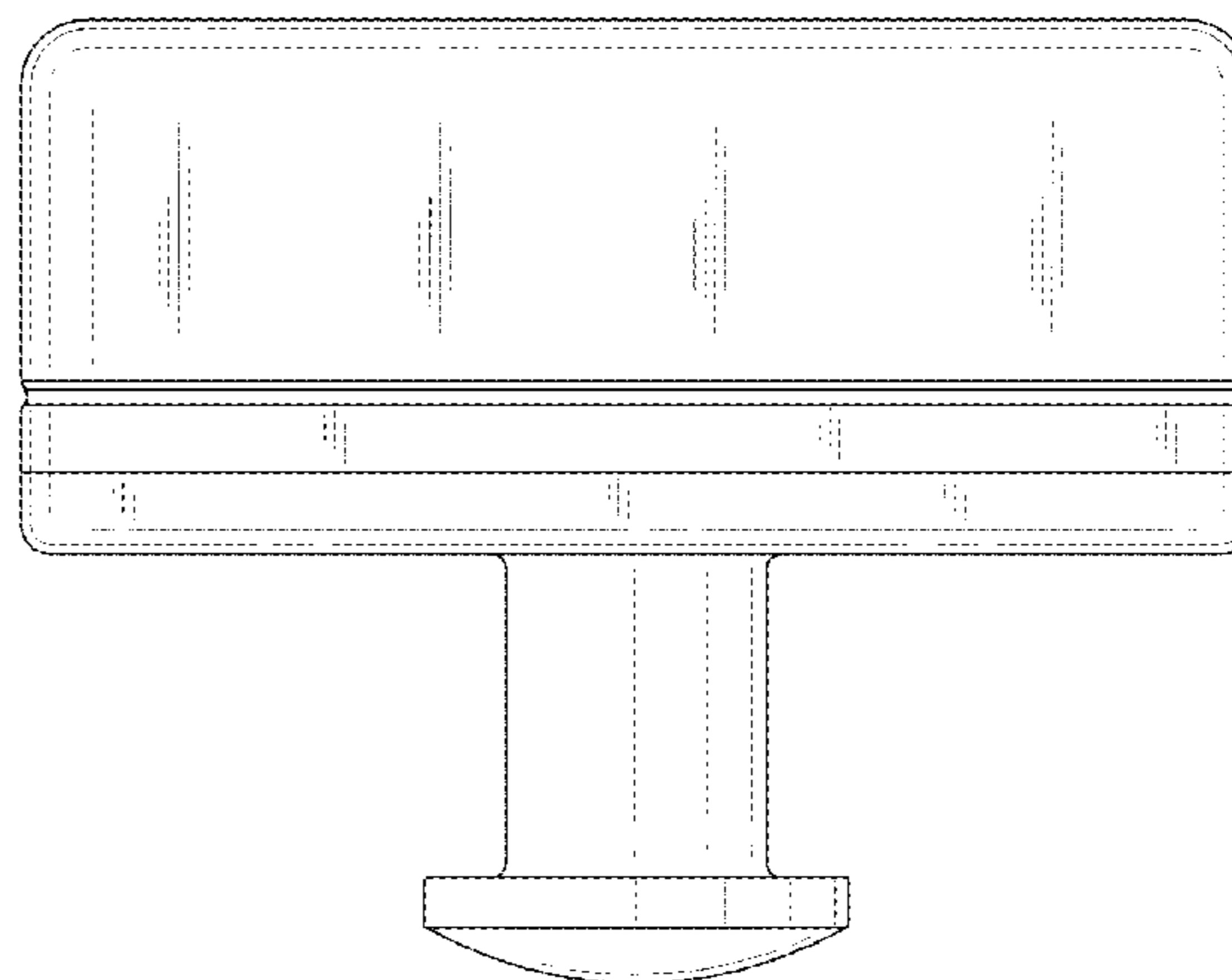
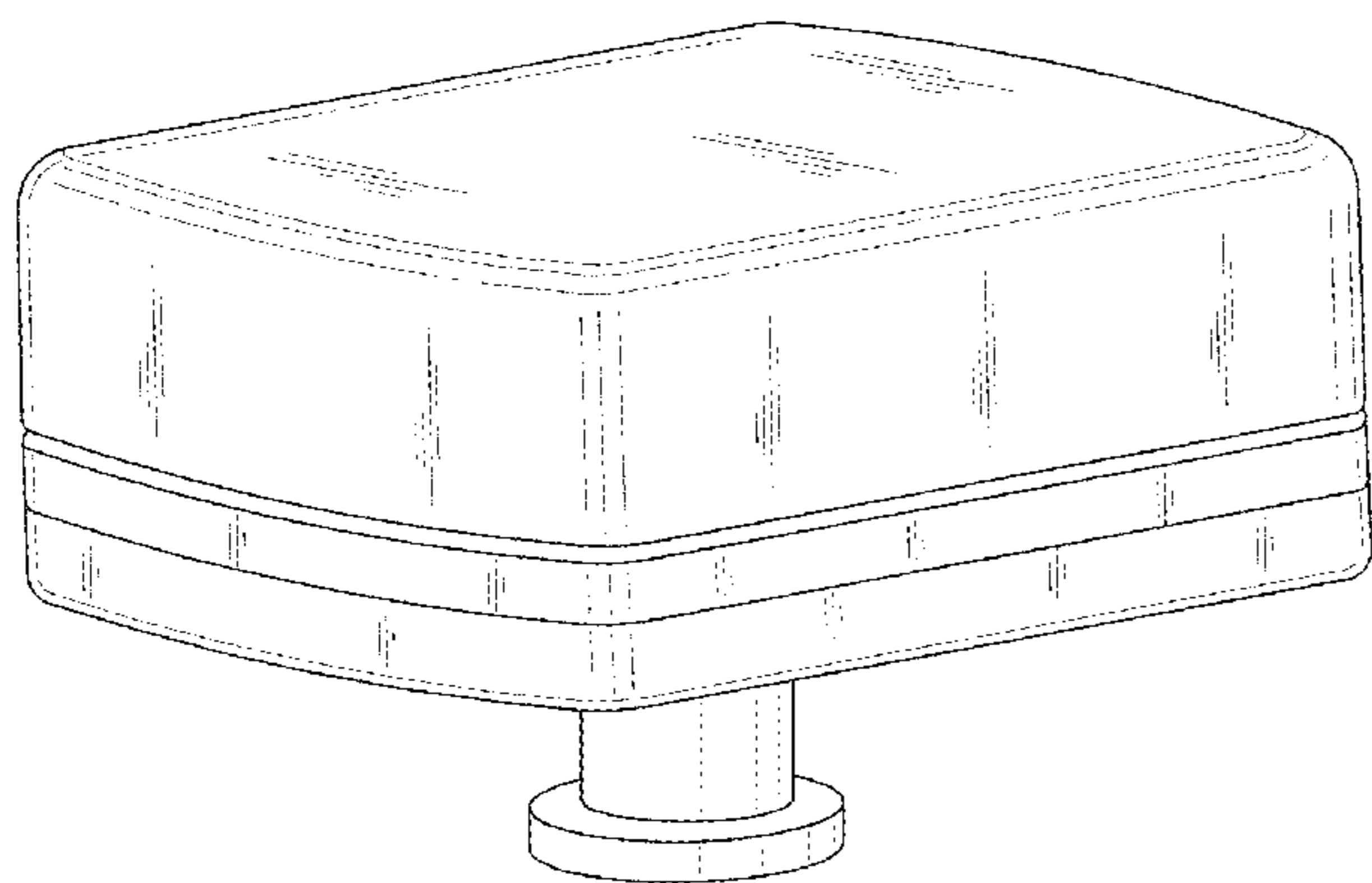
(57) **CLAIM**
The ornamental design for an umbilical tag enclosure, as shown and described.

DESCRIPTION

FIG. 1 is a perspective view of the umbilical tag enclosure showing the new design;
FIG. 2 is an elevated perspective view thereof;
FIG. 3 is a front view thereof;
FIG. 4 is a side view thereof;
FIG. 5 is a top plan view thereof;
FIG. 6 is a bottom plan view thereof;
FIG. 7 is side exploded view thereof; and,
FIG. 8 is a side partially exploded view thereof.

1 Claim, 7 Drawing Sheets

- (56) **References Cited**
U.S. PATENT DOCUMENTS
6,360,411 B1 * 3/2002 Bortz 24/704.2
2008/0223177 A1 * 9/2008 van Koot et al. 81/3.07



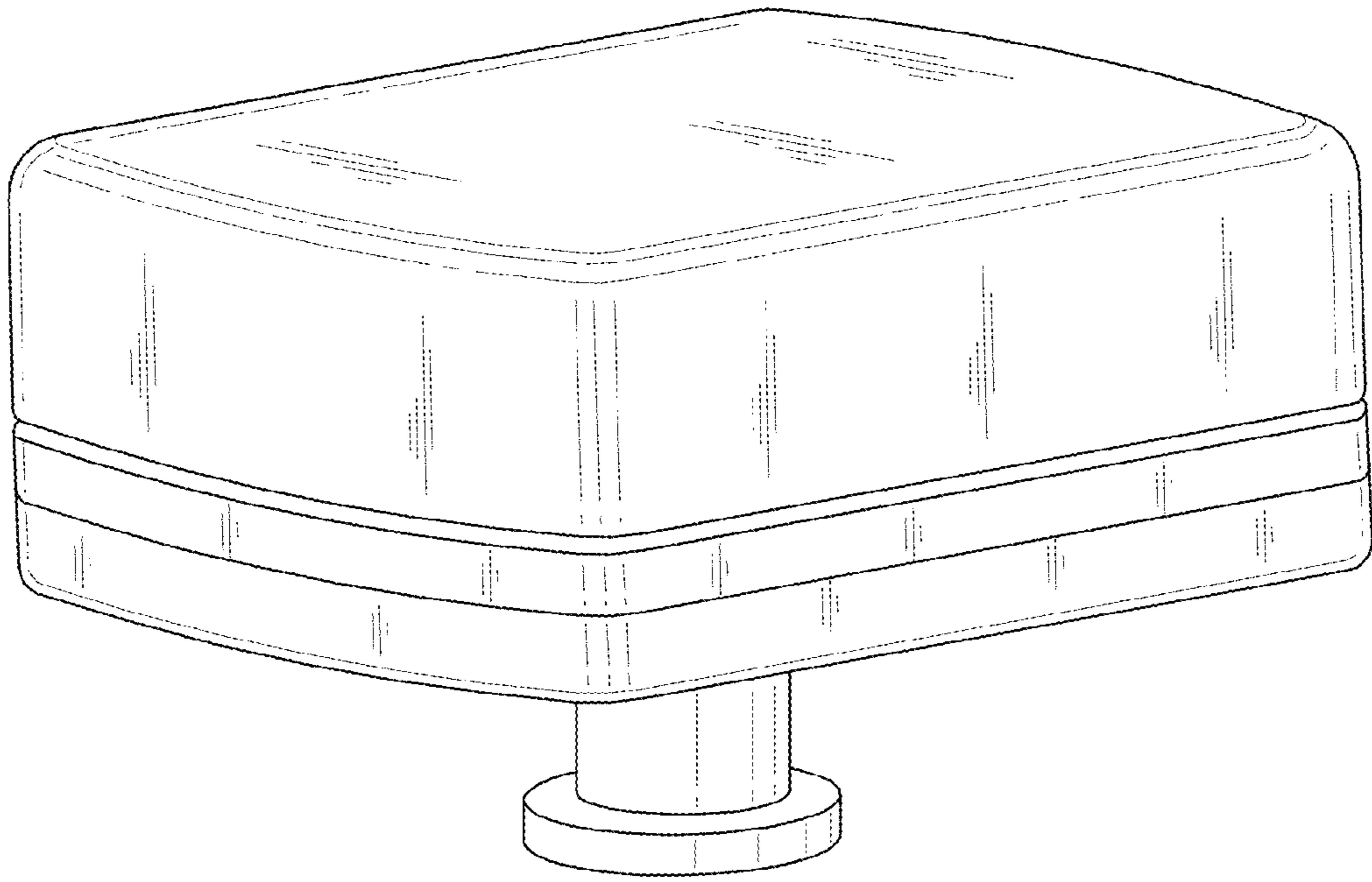


FIG. 1

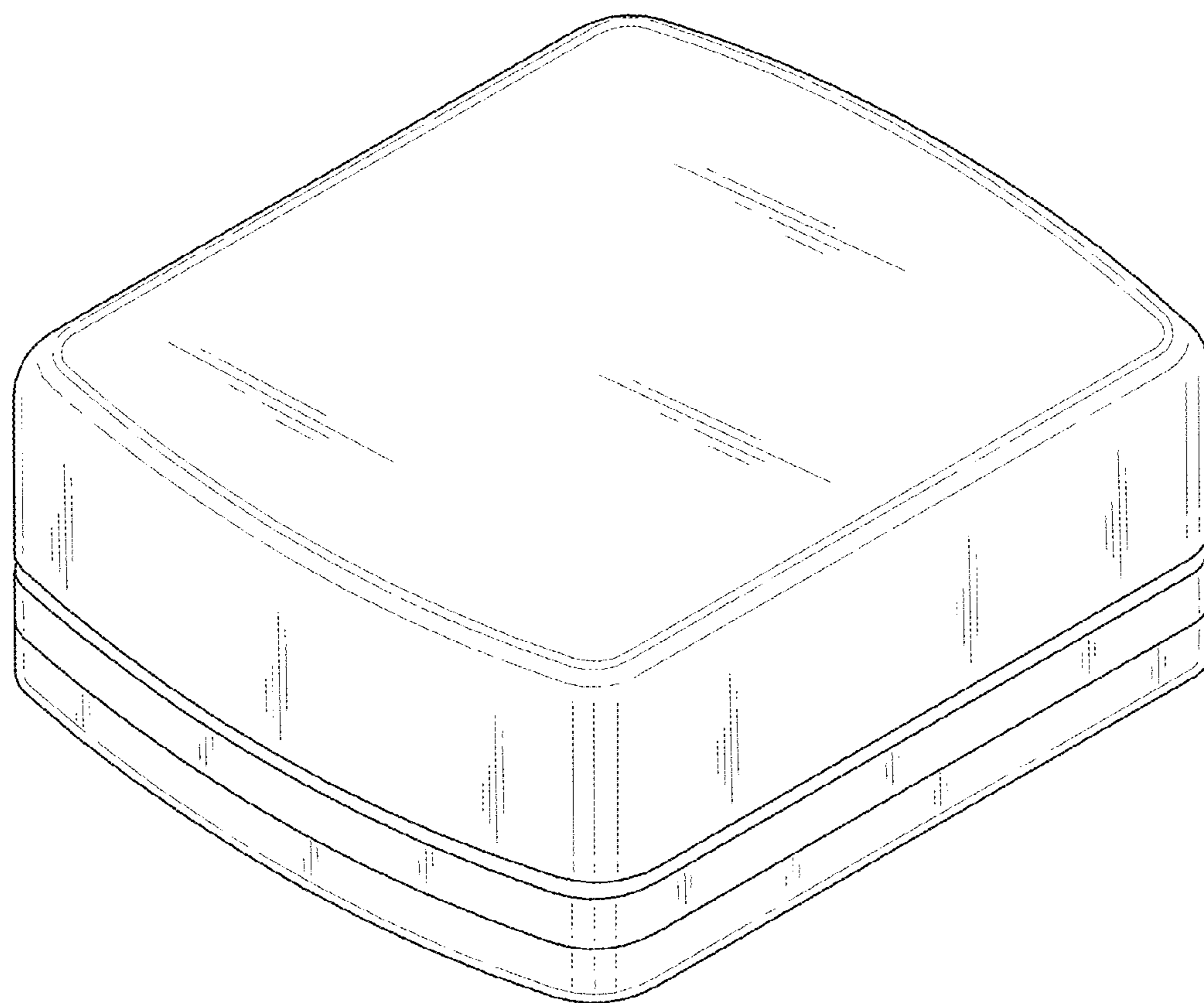


FIG. 2

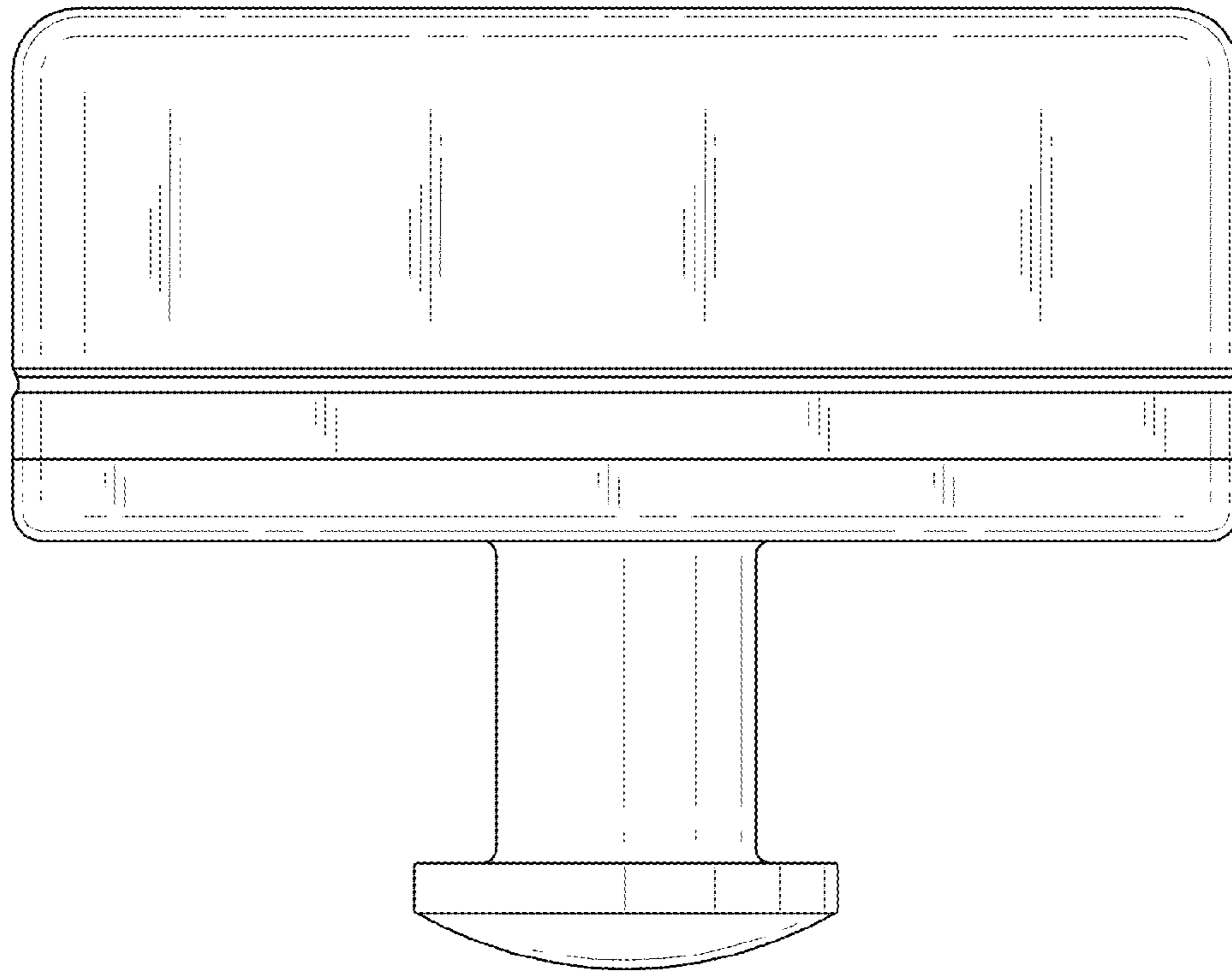


FIG. 3

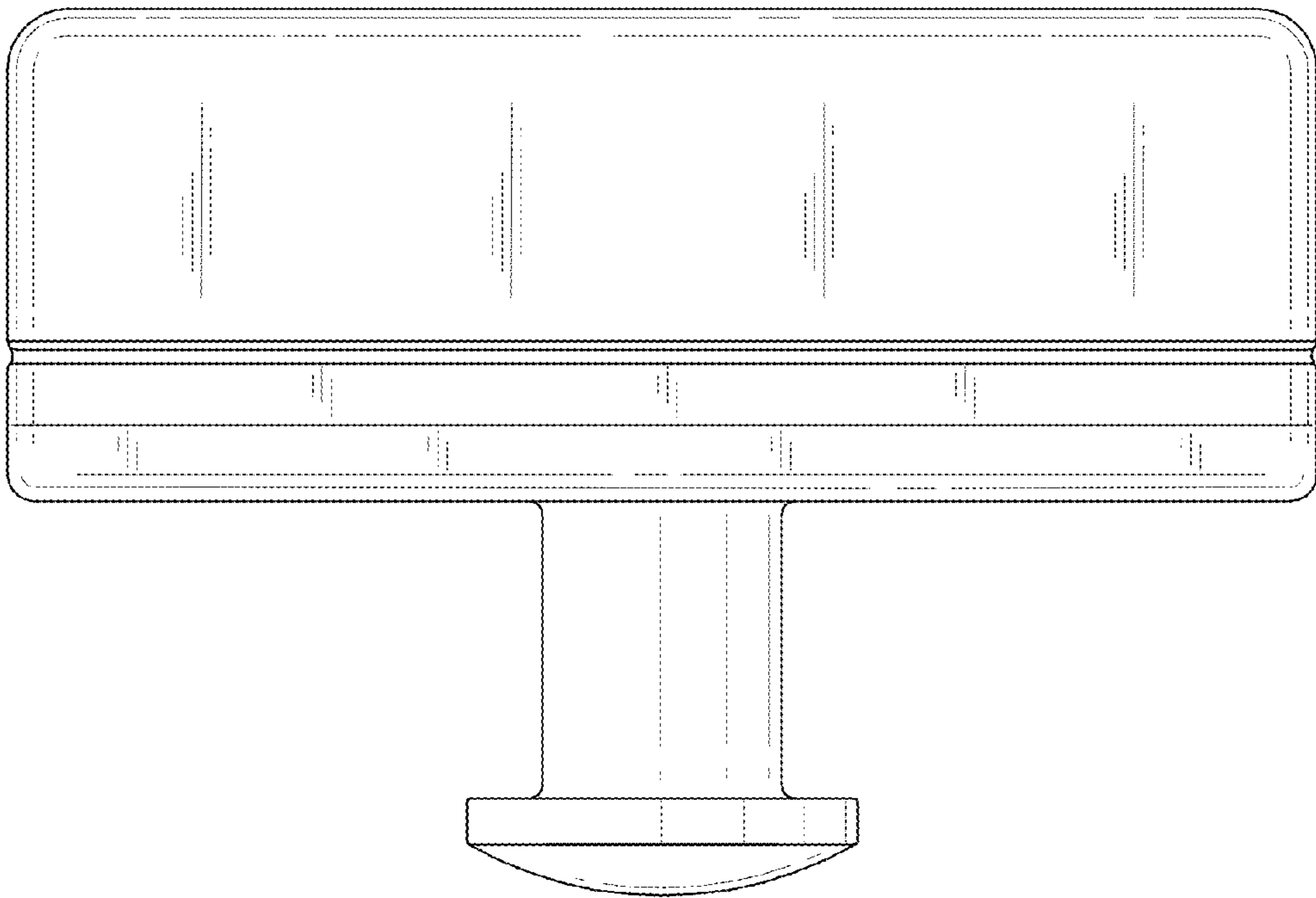


FIG. 4

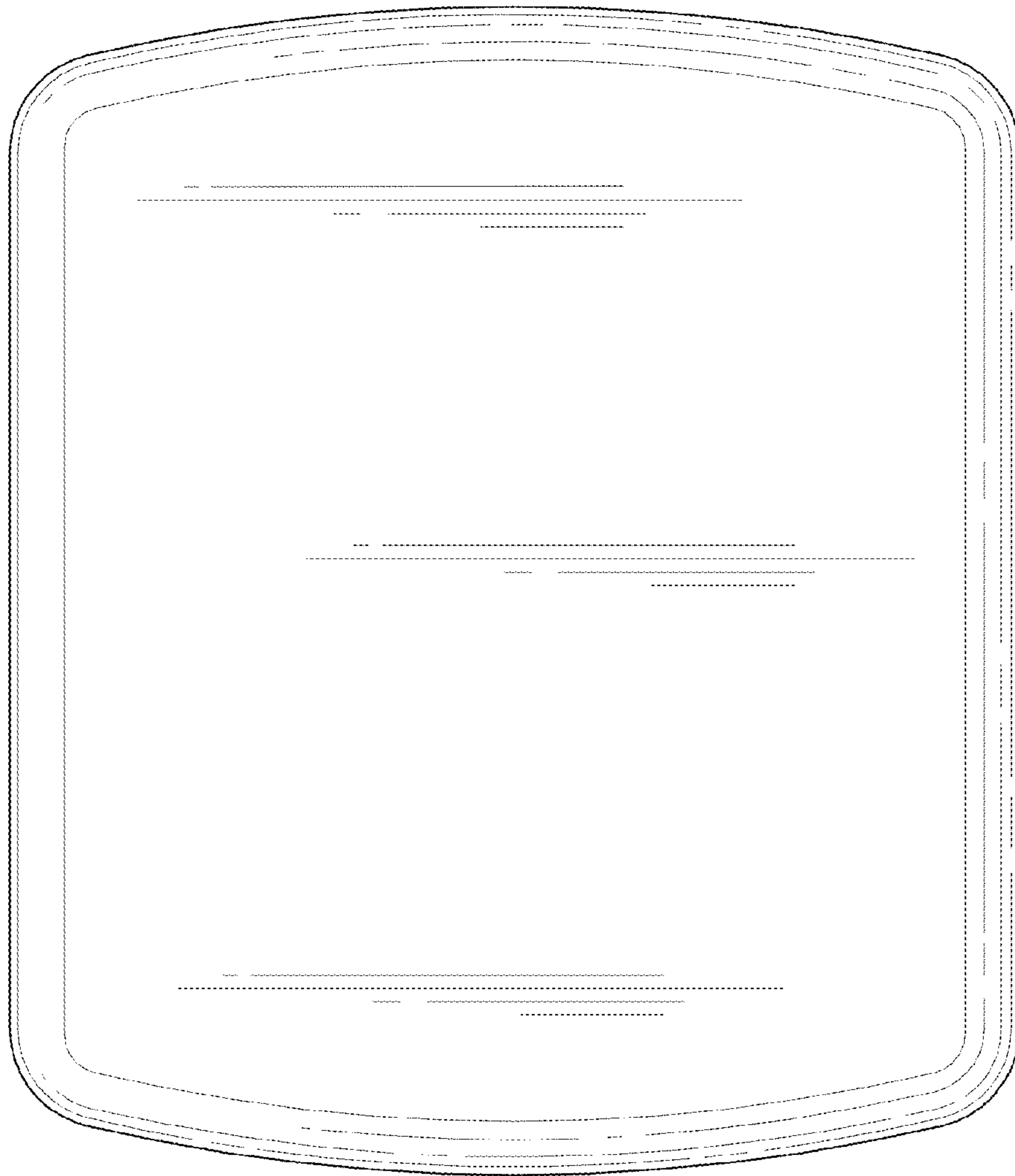


FIG. 5

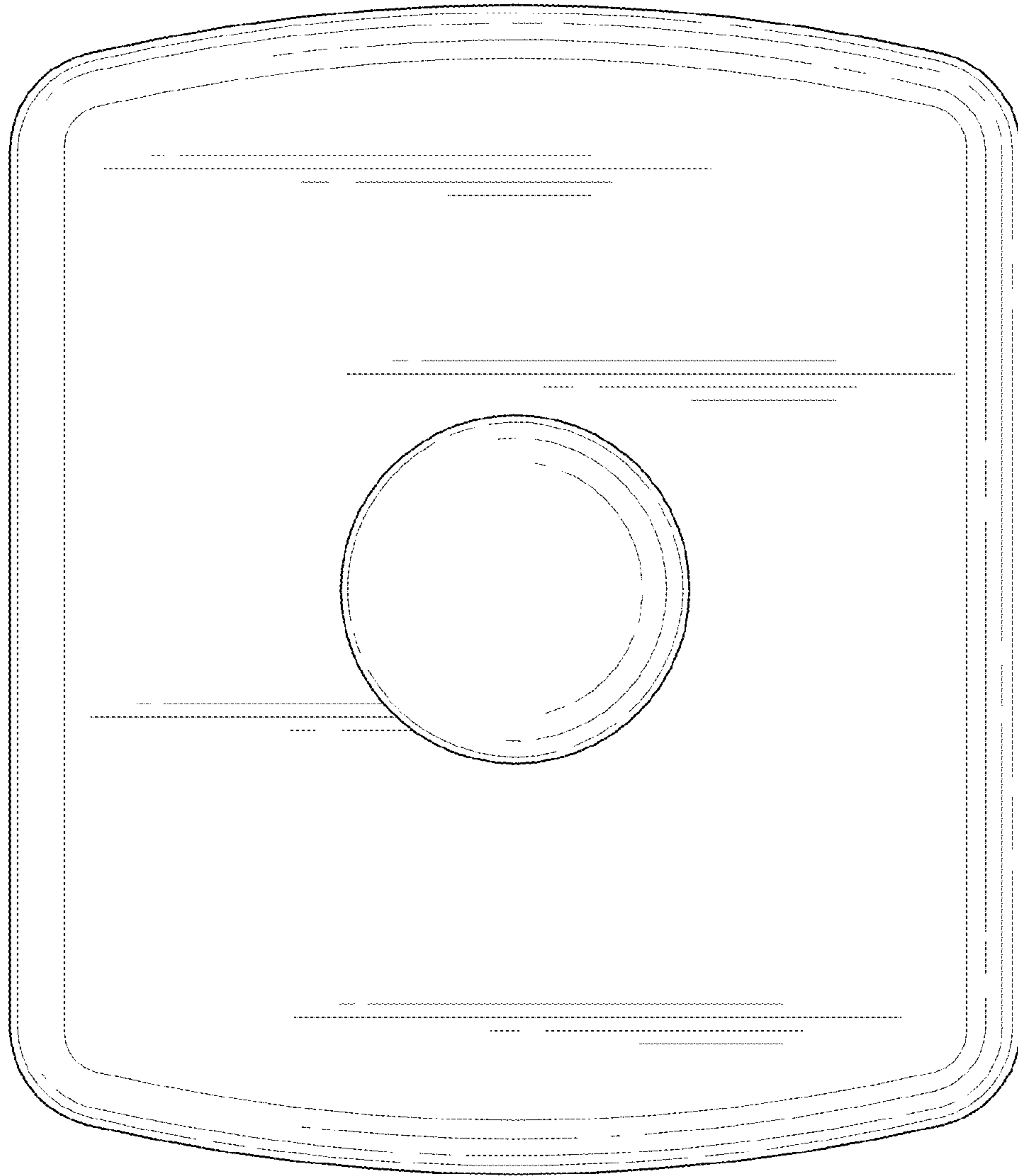


FIG. 6

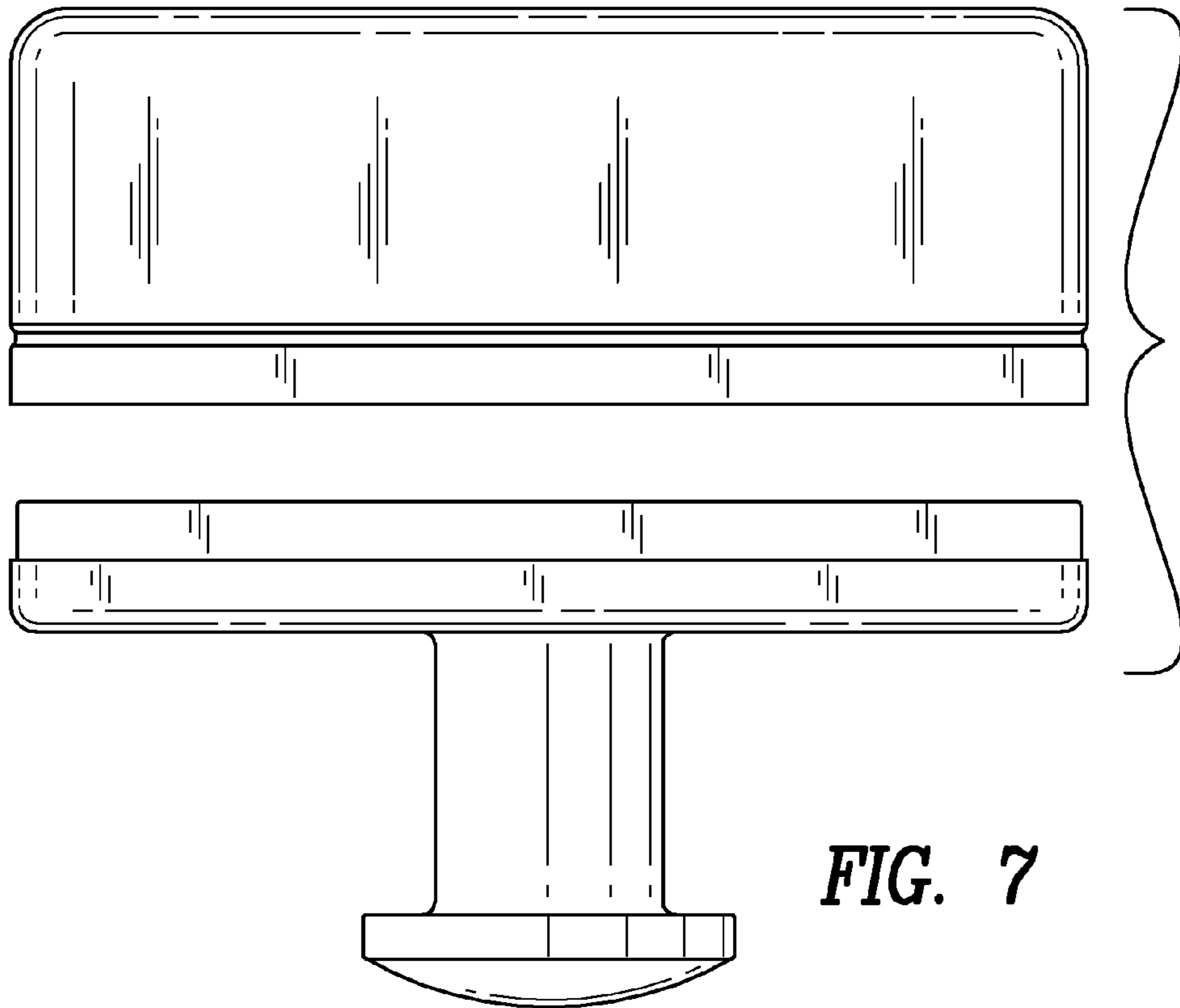


FIG. 7

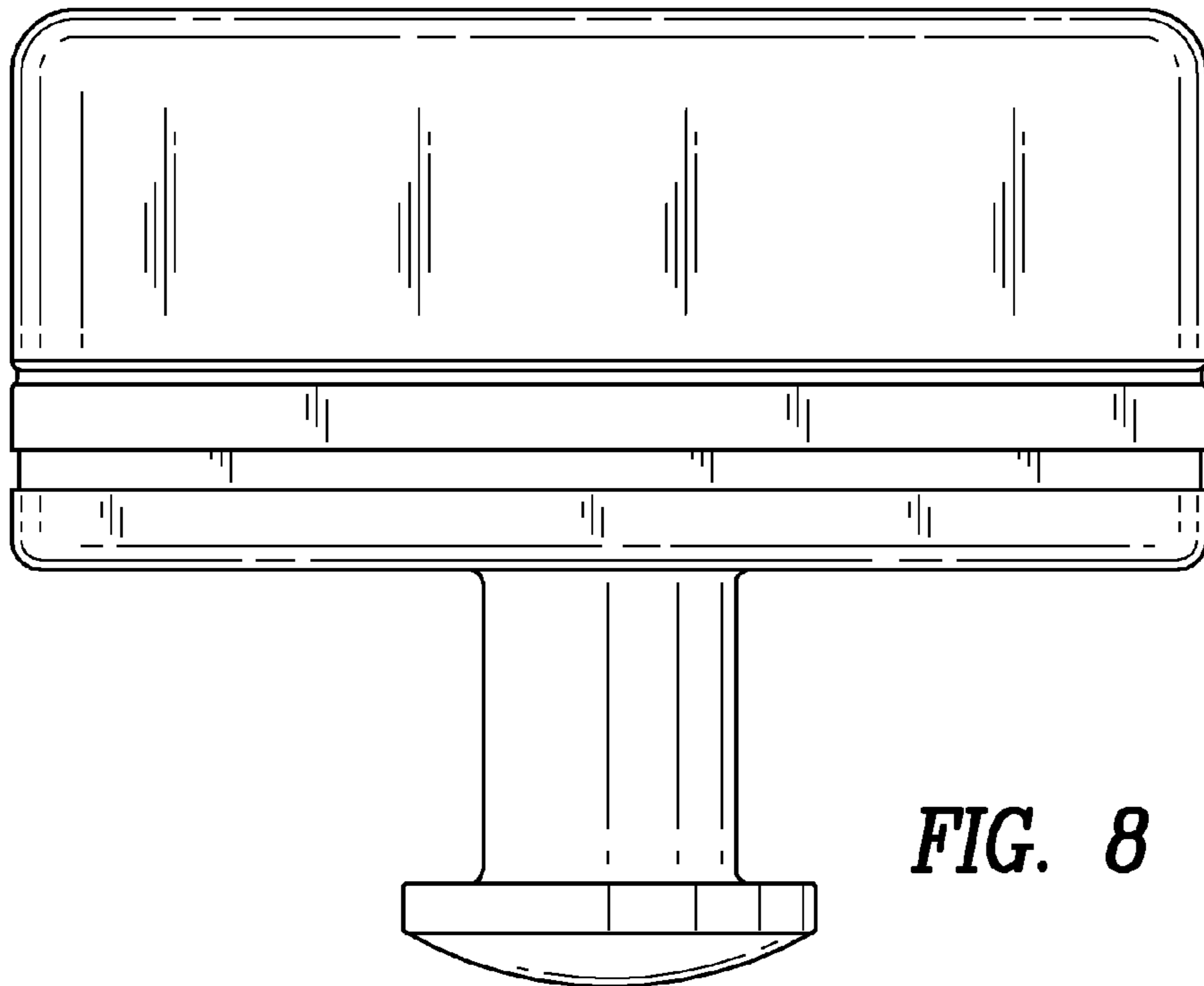


FIG. 8