

US00D698681S

(12) **United States Design Patent**
Kosloski

(10) **Patent No.:** **US D698,681 S**

(45) **Date of Patent:** **** Feb. 4, 2014**

(54) **WRIST TAG ENCLOSURE**

(71) Applicant: **Mark Kosloski**, Jackson, NJ (US)

(72) Inventor: **Mark Kosloski**, Jackson, NJ (US)

(73) Assignee: **BridgeRFID, LLC**, Freehold, NJ (US)

(**) Term: **14 Years**

(21) Appl. No.: **29/443,932**

(22) Filed: **Jan. 24, 2013**

(51) **LOC (10) Cl.** **10-05**

(52) **U.S. Cl.**
USPC **D10/106.9**

(58) **Field of Classification Search**
USPC D10/106.9–10.94, 104.1; 70/57.1;
150/154; 235/492; 24/704.2;
340/572.9; 81/3.07
See application file for complete search history.

(56) **References Cited**

U.S. PATENT DOCUMENTS

6,360,411 B1 * 3/2002 Bortz 24/704.2
2008/0223177 A1 * 9/2008 van Koot et al. 81/3.07

2010/0282380 A1 * 11/2010 Layrana Fernandez 150/154
2012/0267436 A1 * 10/2012 Yang 235/492
2012/0318027 A1 * 12/2012 Shute et al. 70/15
2013/0249301 A1 * 9/2013 Smoot et al. 307/104

* cited by examiner

Primary Examiner — George D Kirschbaum

(74) *Attorney, Agent, or Firm* — Timothy X. Gibson, Esq.;
Gibson & Dernier LLP

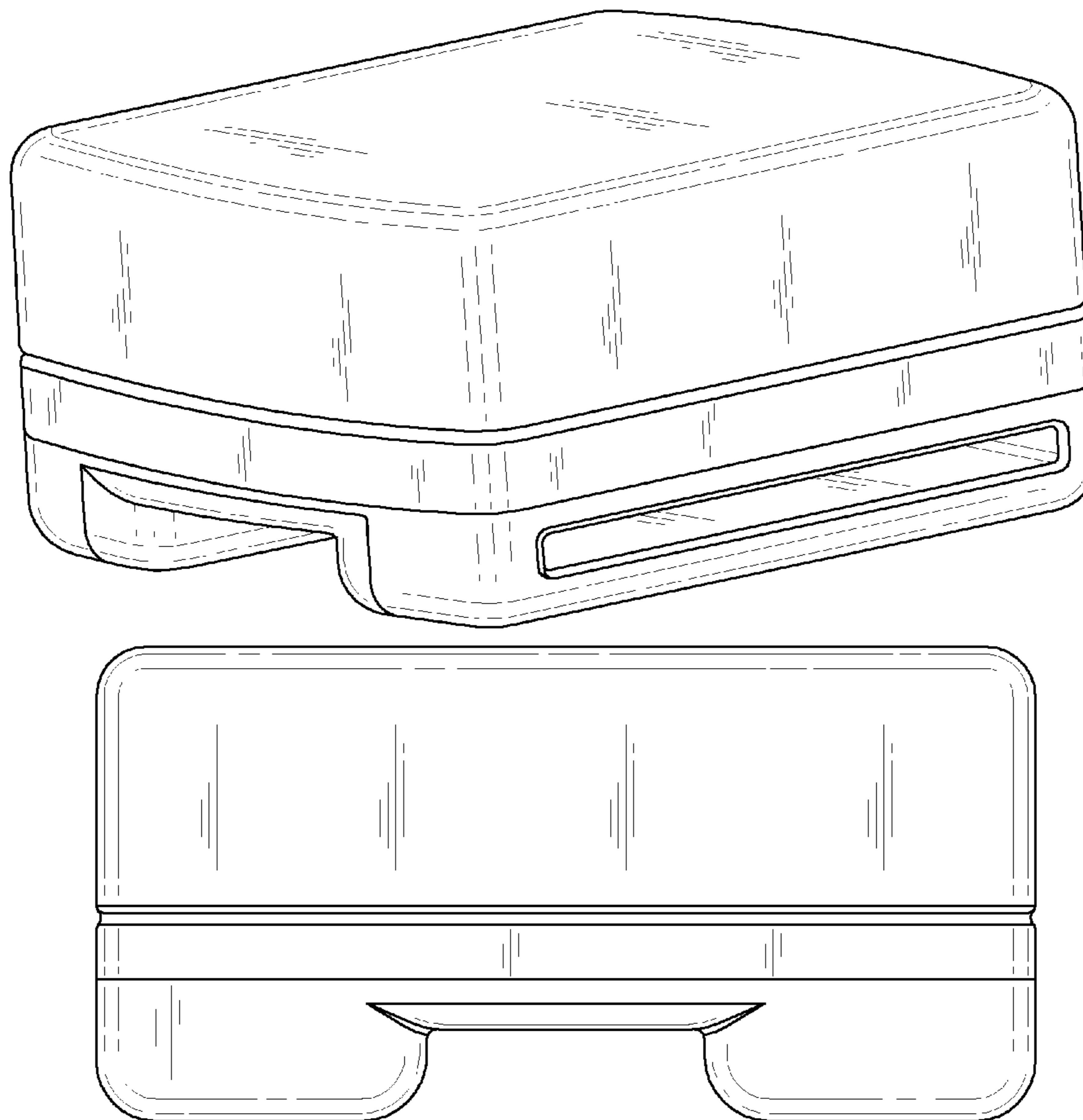
(57) **CLAIM**

The ornamental design for a wrist tag enclosure, as shown and described.

DESCRIPTION

FIG. 1 is a perspective view of the wrist tag enclosure showing the new design;
FIG. 2 is an elevated perspective view thereof;
FIG. 3 is a front view thereof;
FIG. 4 is a side view thereof;
FIG. 5 is a top plan view thereof;
FIG. 6 is a bottom plan view thereof;
FIG. 7 is side exploded view thereof; and,
FIG. 8 is a side partially exploded view thereof.

1 Claim, 7 Drawing Sheets



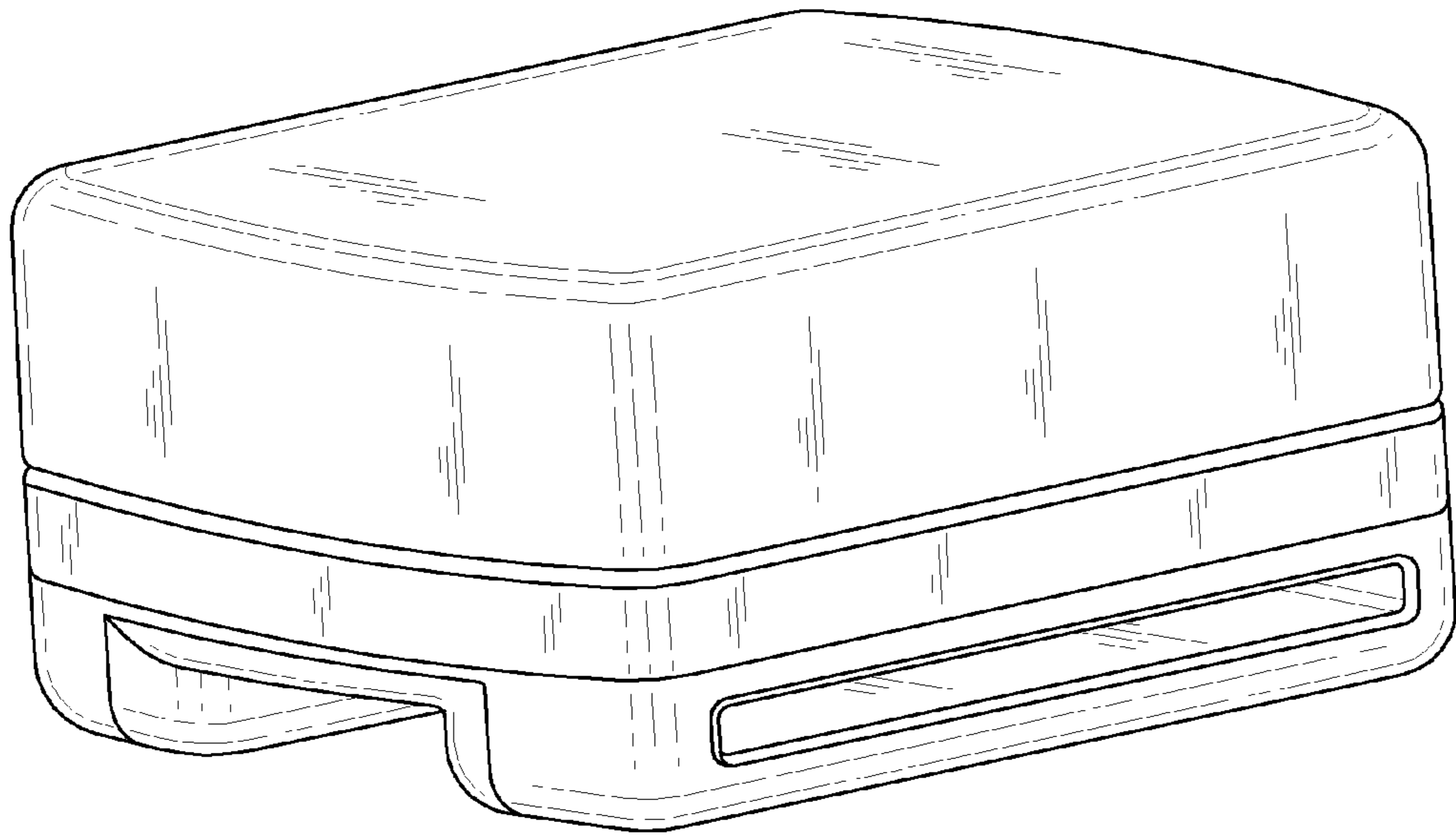


FIG. 1

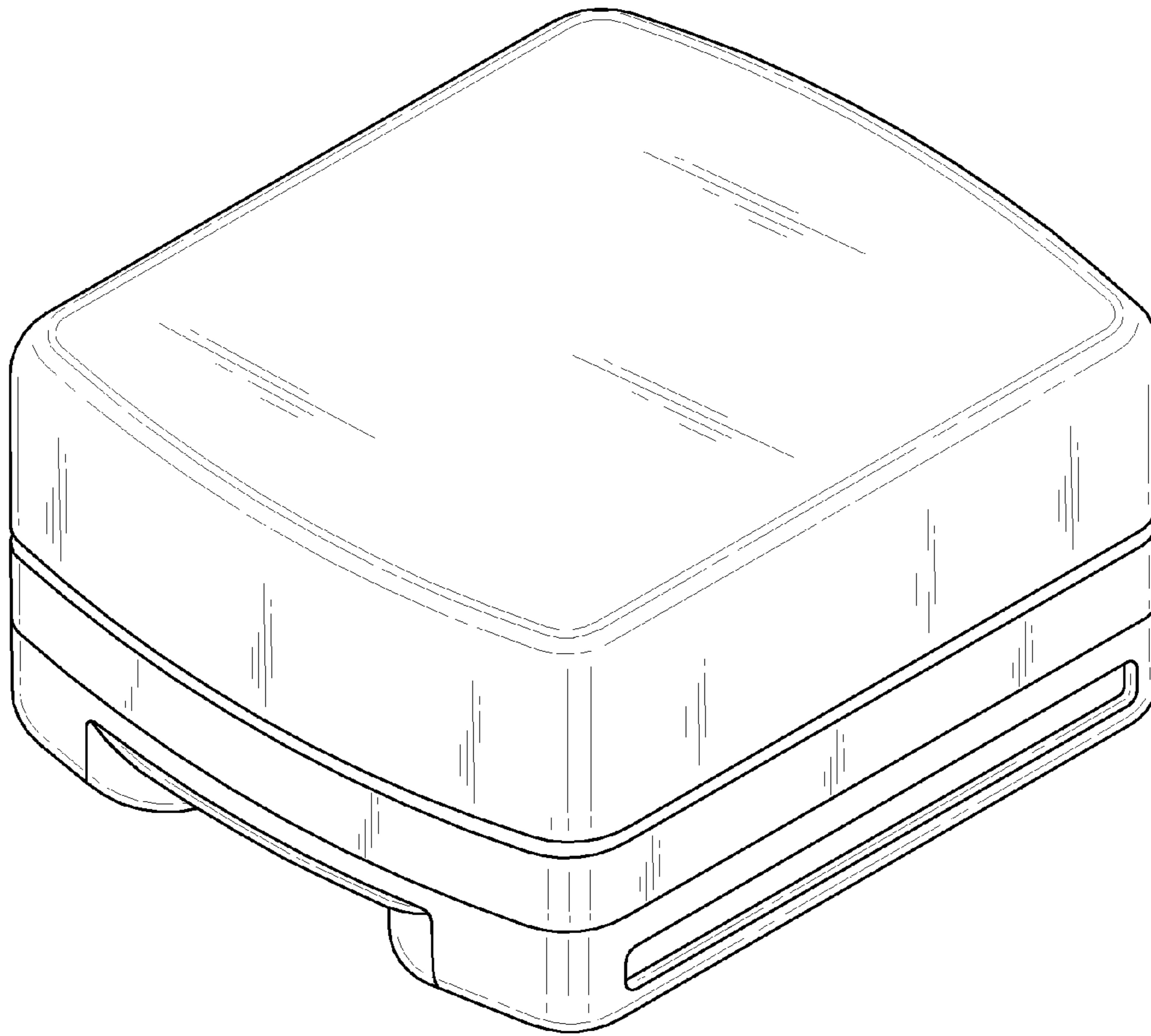


FIG. 2

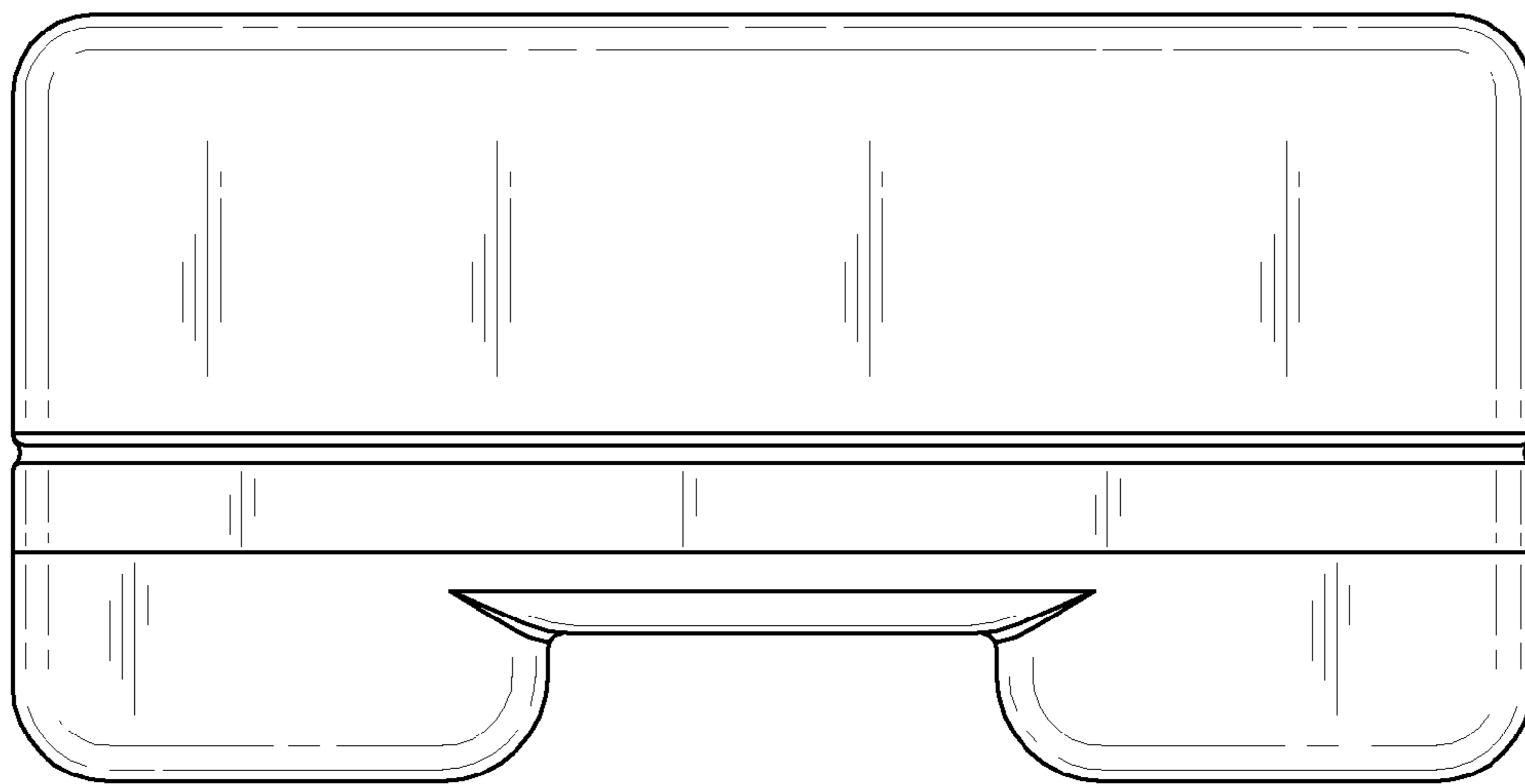


FIG. 3

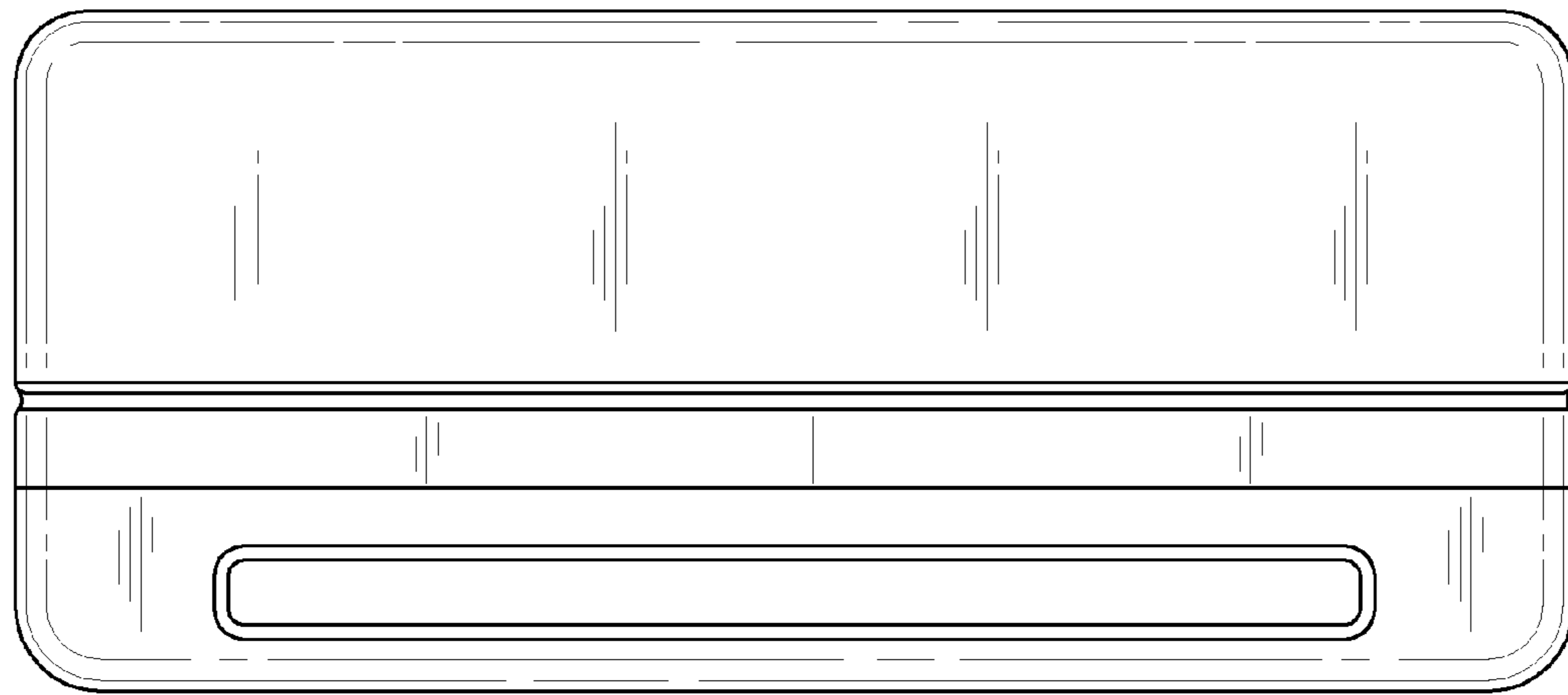


FIG. 4



FIG. 5

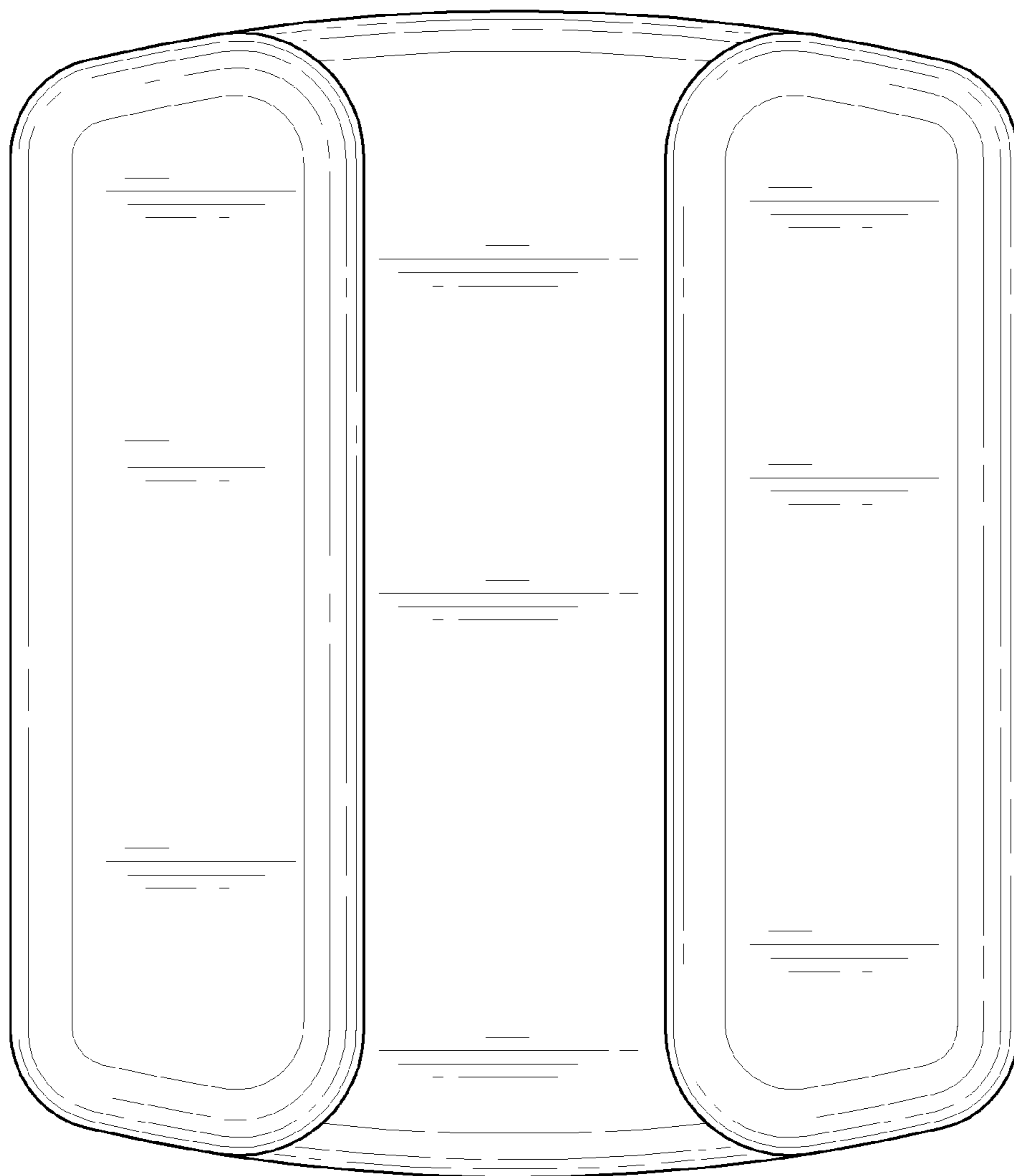


FIG. 6

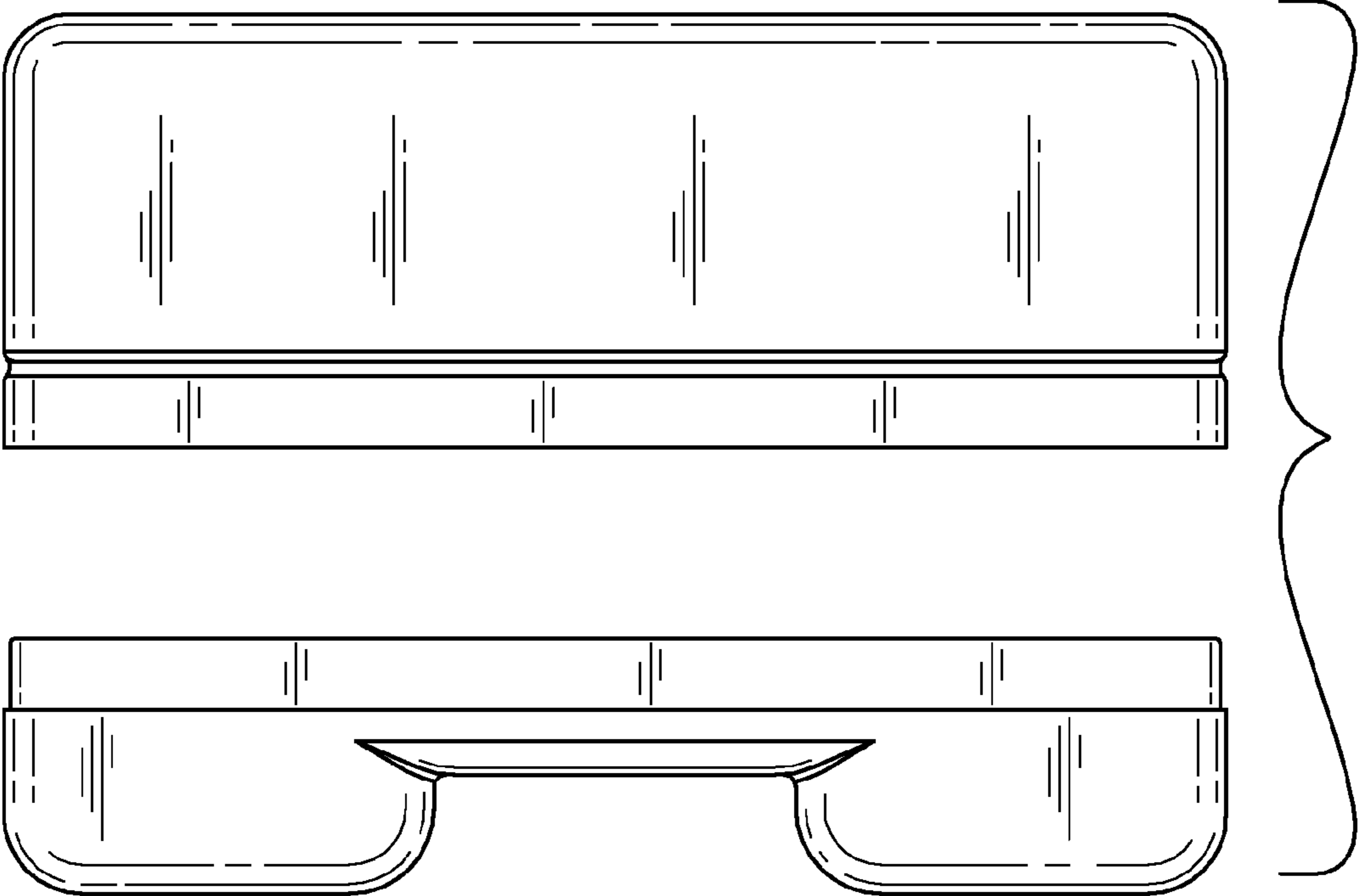


FIG. 7

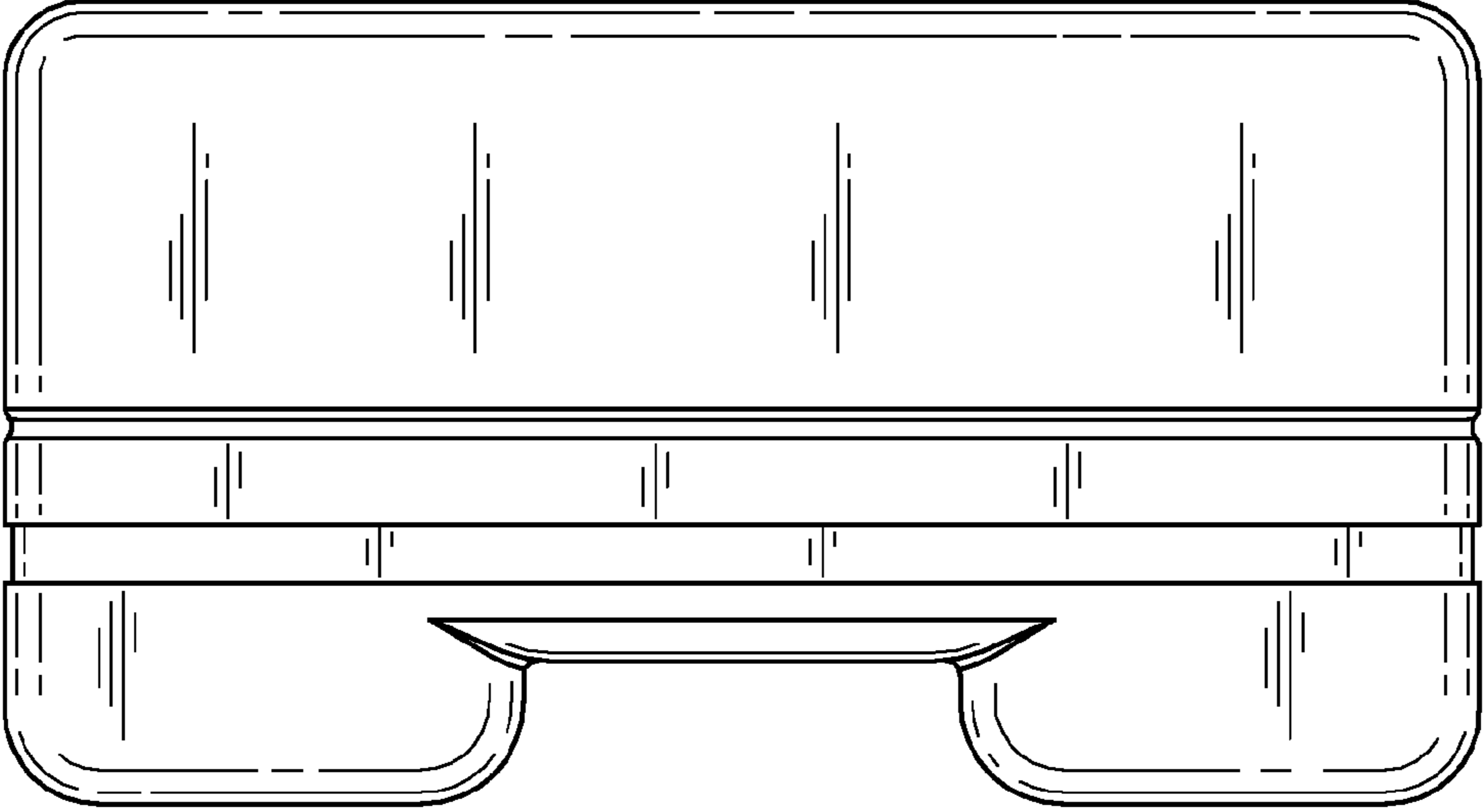


FIG. 8