



US00D698680S

(12) **United States Design Patent**
Burstein et al.

(10) **Patent No.:** **US D698,680 S**

(45) **Date of Patent:** **** Feb. 4, 2014**

(54) **SECURITY TAGS**

(71) Applicant: **The Stanley Works Israel Ltd.**, Rosh Ha' Ayin (IL)

(72) Inventors: **Gil Burstein**, Gedera (IL); **Esti Carmeli**, Caesarea (IL); **Ireen Havkin**, Tel Aviv (IL); **Amir Katz**, Bat Hefer (IL); **Omer Kotzer**, Tel Aviv (IL); **Avner Sadot**, Tel Aviv (IL); **Shammai Weiss**, Tel Aviv (IL)

(73) Assignee: **The Stanley Works Israel, Ltd** (IL)

(**) Term: **14 Years**

(21) Appl. No.: **29/439,543**

(22) Filed: **Dec. 12, 2012**

(30) **Foreign Application Priority Data**

Jul. 5, 2012 (EM) 00133652-0002

(51) **LOC (10) Cl.** **10-05**

(52) **U.S. Cl.**
USPC **D10/106.9**

(58) **Field of Classification Search**
USPC D10/106.9-10.94, 104.1; 70/57.1;
D3/297; D26/37-38

See application file for complete search history.

(56) **References Cited**

U.S. PATENT DOCUMENTS

6,328,355 B1 * 12/2001 Bortz 292/307 R
D550,952 S * 9/2007 Rimon D3/207
D554,363 S * 11/2007 Bates et al. D3/207

* cited by examiner

Primary Examiner — George D Kirschbaum

(74) *Attorney, Agent, or Firm* — Bruce S. Shapiro; John Yun; Stephen R. Valancius

(57) **CLAIM**

The ornamental design for security tags, as shown and described.

DESCRIPTION

FIG. 1 is a right front perspective view of our new design.

FIG. 2 is a front view thereof.

FIG. 3 is a rear view thereof.

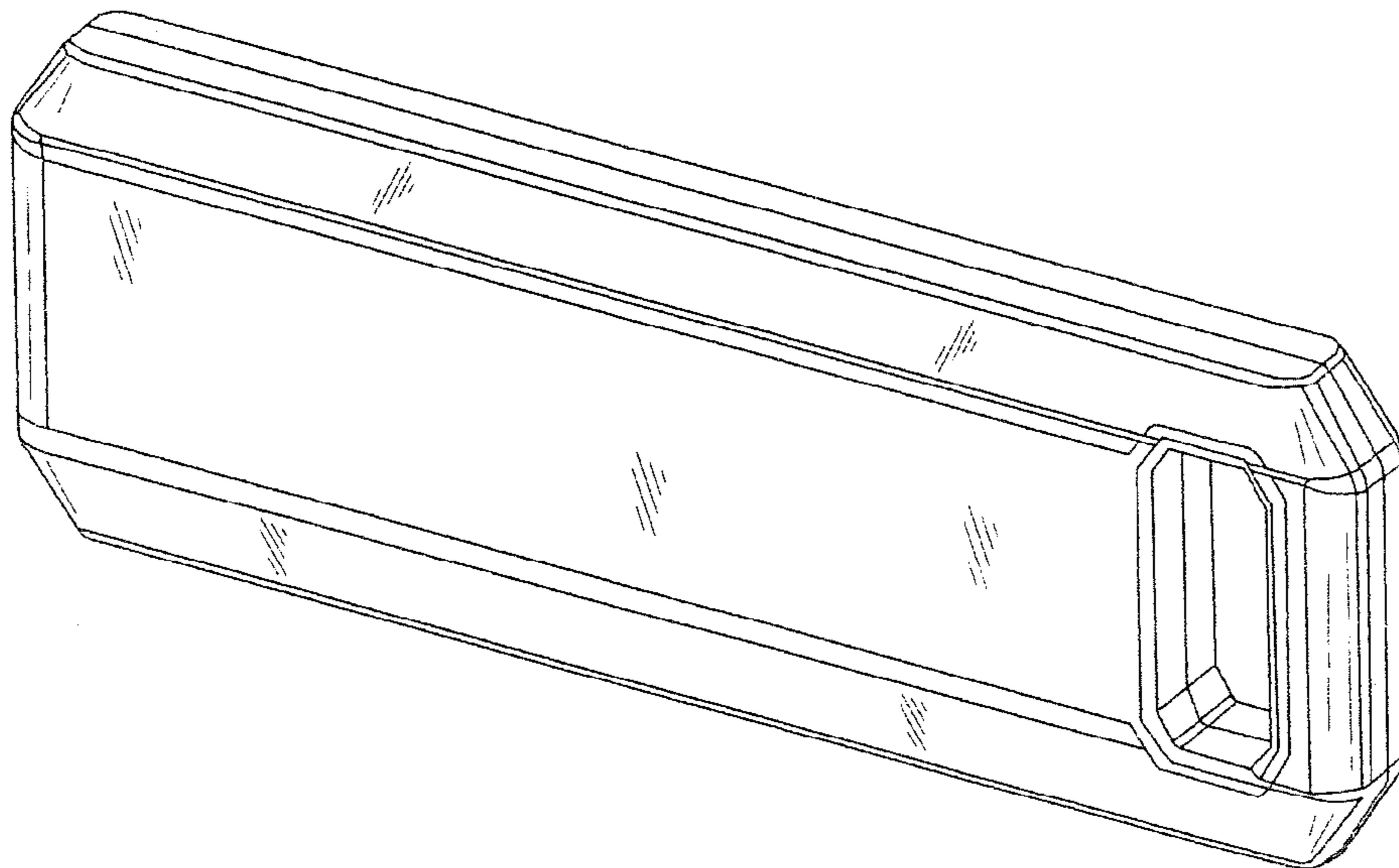
FIG. 4 is a right side view thereof.

FIG. 5 is a left side view thereof.

FIG. 6 is a top view thereof; and,

FIG. 7 is a bottom view thereof.

1 Claim, 3 Drawing Sheets



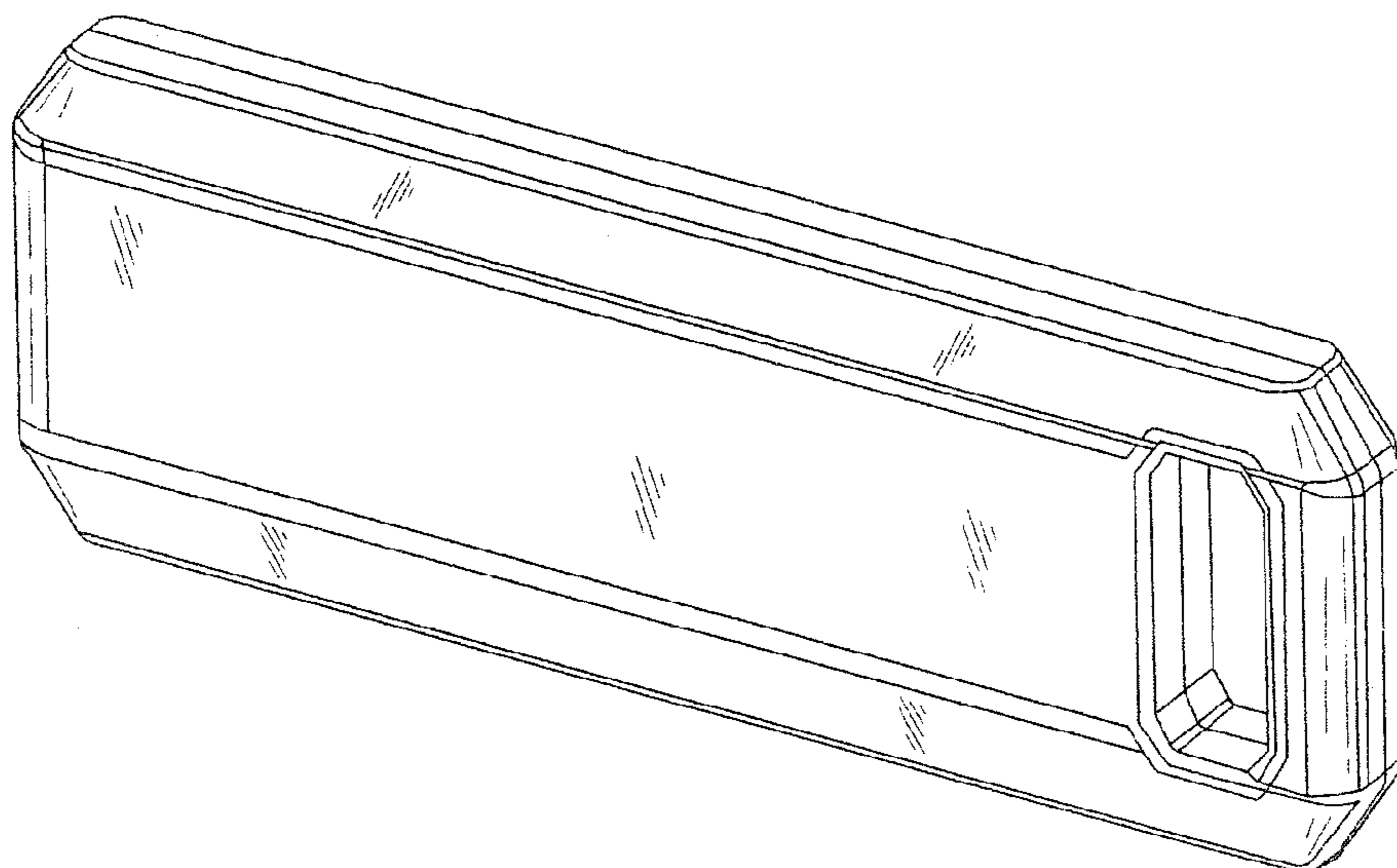


FIG. 1

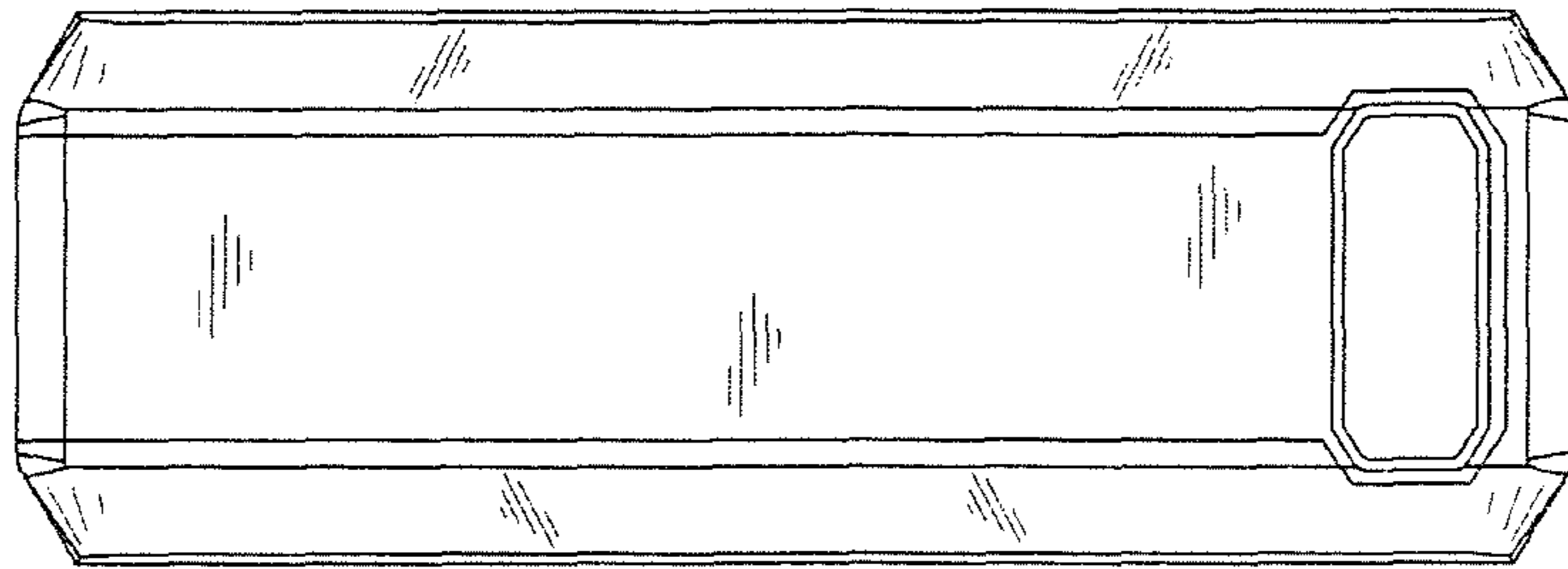


FIG. 2

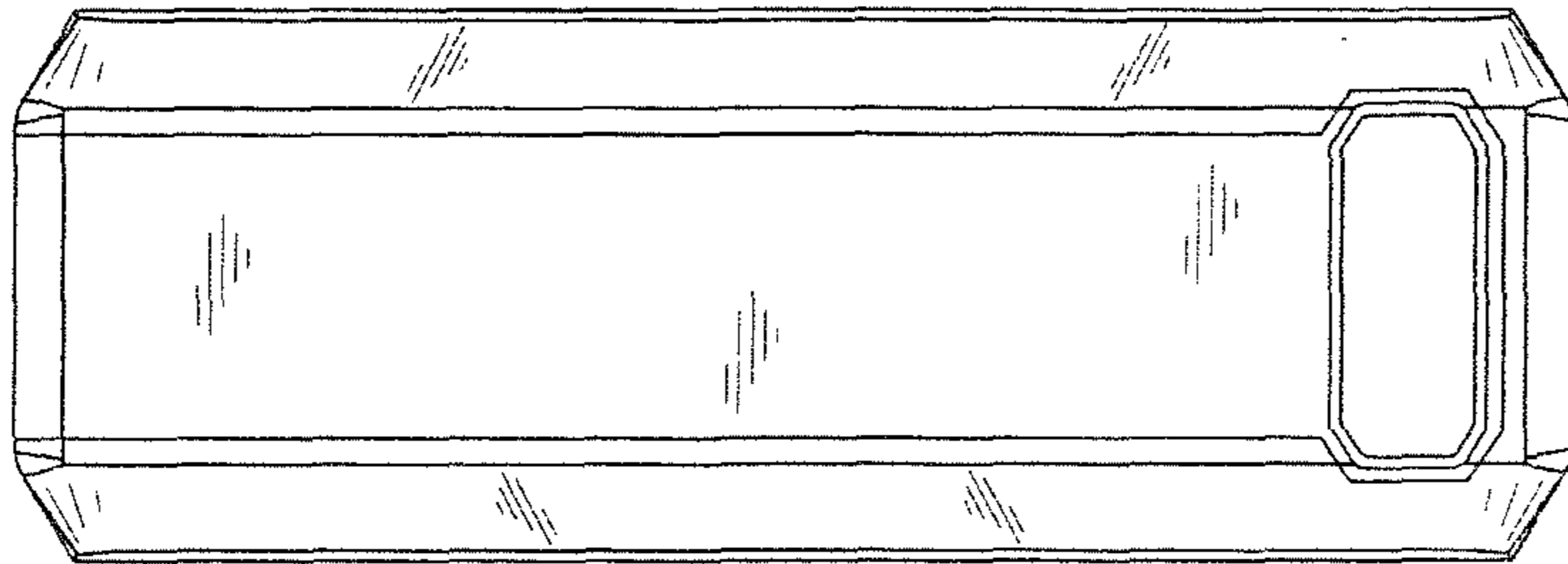


FIG. 3

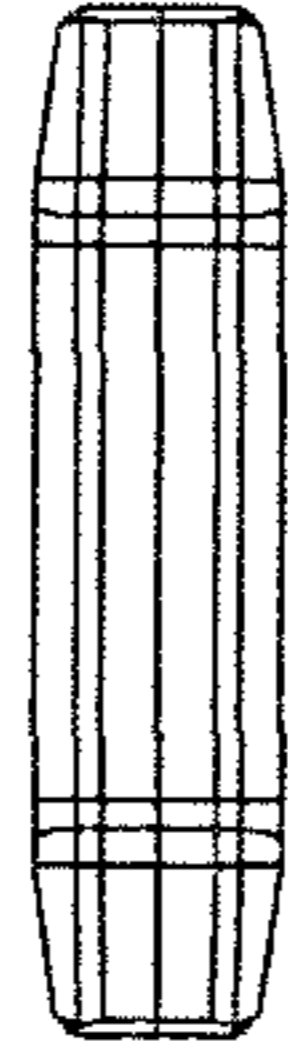


FIG .4

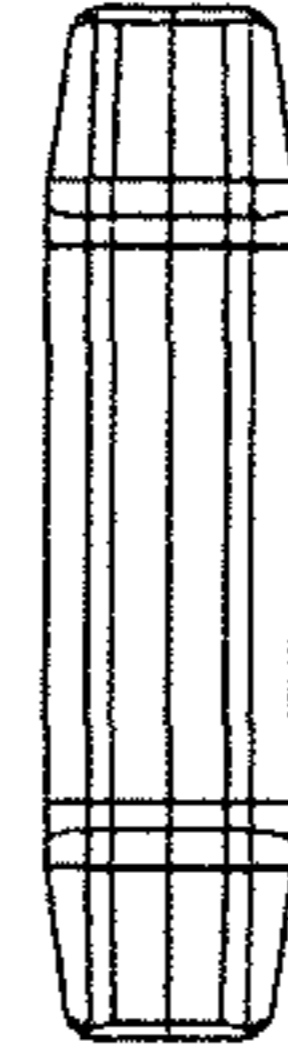


FIG .5

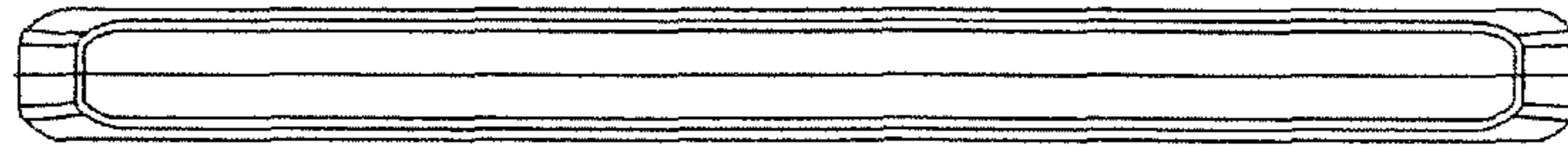


FIG .6

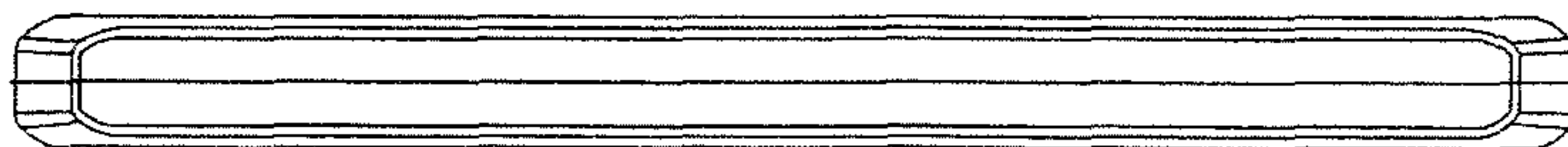


FIG .7