



US00D698679S

(12) **United States Design Patent**
Lindley

(10) **Patent No.:** **US D698,679 S**
(45) **Date of Patent:** **** Feb. 4, 2014**

- (54) **KEYFOB STYLE RFID TAG**
- (75) Inventor: **Scott E. Lindley**, Redwood City, CA (US)
- (73) Assignee: **Farpointe Data, Inc.**, Sunnyvale, CA (US)
- (**) Term: **14 Years**
- (21) Appl. No.: **29/411,768**
- (22) Filed: **Jan. 25, 2012**
- (51) **LOC (10) Cl.** **10-05**
- (52) **U.S. Cl.**
USPC **D10/106.9**
- (58) **Field of Classification Search**
USPC D10/106.9-10.94, 104.1; 70/57.1;
D3/208; D13/168; D8/347; D14/218
See application file for complete search history.

IDW, LLC, "Indata FlexKey Keytags—Programmed", Nov. 11, 2010.
 HID Global, An ASSA ABLOY Group brand, "iClass Key", Contactless Smart Key Fob, 13.56 MHz Contactless, date unknown.
 HID Global, An ASSA ABLOY Group brand, "iClass Key II", Contactless Smart Key Fob, 13.56 MHz Contactless, 2010.
 HID Global, An ASSA ABLOY Group brand, "Indala FlexKey® Keytag", 125 kHz Proximity, Apr. 2007.
 HID Global, An ASSA ABLOY Group brand, "ProxKey II Fob", 125 kHz Proximity, 2007.
 HID Global, An ASSA ABLOY Group brand, "ProxKey III", 125 kHz Proximity, 2010.
 Keri Systems, Inc., "Proximity Key Tags and Patches", date unknown.
 Paxton Keyfob, date unknown.
 Ingersoll Rand Security Technologies, Schlage, "Proximity Keyfobs Smart Keyfobs with iButton® option", 2010.
 Smartrac N.V., "Smartrac iFob", 2011.
 Sunsero, "RFID Key Fobs", 2005-2011.
 Synometrix, "SYNOtag™ Passive", 2010.

* cited by examiner

Primary Examiner — George D Kirschbaum
(74) *Attorney, Agent, or Firm* — Nixon Peabody LLP

(56) **References Cited**

U.S. PATENT DOCUMENTS

D366,229 S	1/1996	Barnett	
D375,696 S	* 11/1996	Seki et al.	D10/104.1
D390,195 S	2/1998	Chen	
D404,284 S	1/1999	Sacco et al.	
D407,007 S	3/1999	Sacco et al.	
D441,185 S	5/2001	Shimizu et al.	
D441,524 S	5/2001	Shimizu et al.	
D496,639 S	* 9/2004	Deubler, Jr.	D14/138 R
D508,028 S	* 8/2005	Deubler, Jr.	D14/138 R
D514,527 S	2/2006	DiPasquale	
D550,952 S	* 9/2007	Rimon	D3/207
D554,363 S	* 11/2007	Bates et al.	D3/207
D556,701 S	* 12/2007	Nohara et al.	D13/168
D557,111 S	12/2007	Ydremark et al.	
D635,841 S	4/2011	Lindley	
D647,886 S	11/2011	Kao	

OTHER PUBLICATIONS

Daily RFID Co., Limited, "RFID Key Fob—RFID Tag, RFID Reader, RFID Solutions", Oct. 24, 2011.
Dynatrac Systems Inc., "RFID Tags", 2007.

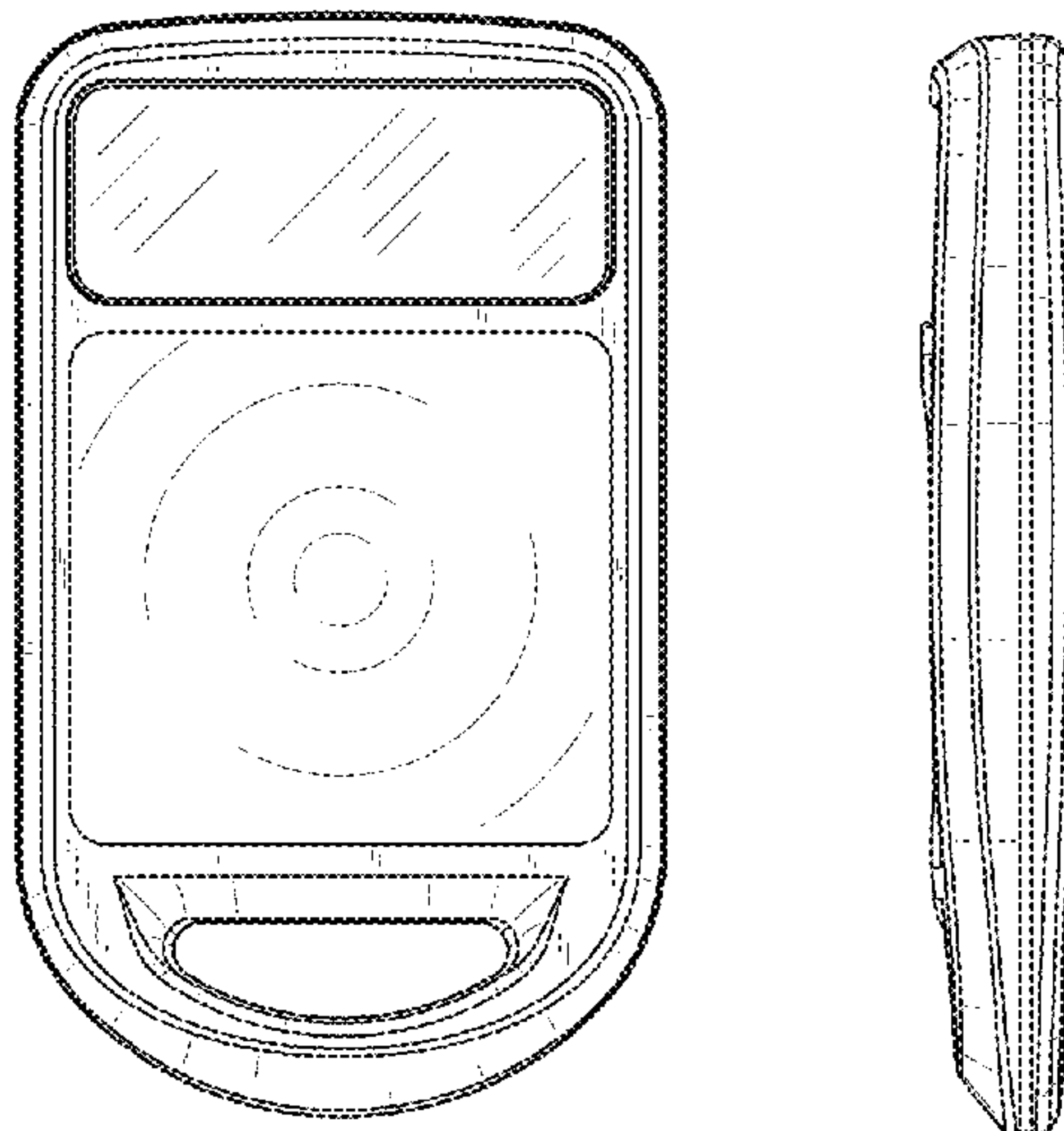
(57) **CLAIM**

The ornamental design for a keyfob style RFID tag, as shown and described.

DESCRIPTION

FIG. 1 is a top front left perspective view of a keyfob style radio frequency identification (RFID) showing my new design;
 FIG. 2 is a top rear left perspective view thereof;
 FIG. 3 is another top front left perspective view thereof from a different viewpoint;
 FIG. 4 is a front elevational view thereof;
 FIG. 5 is a top plan view thereof;
 FIG. 6 is a rear elevational view thereof;
 FIG. 7 is a right side elevational view thereof, the left side elevational view being a mirror image; and,
 FIG. 8 is a bottom plan view thereof.

1 Claim, 3 Drawing Sheets



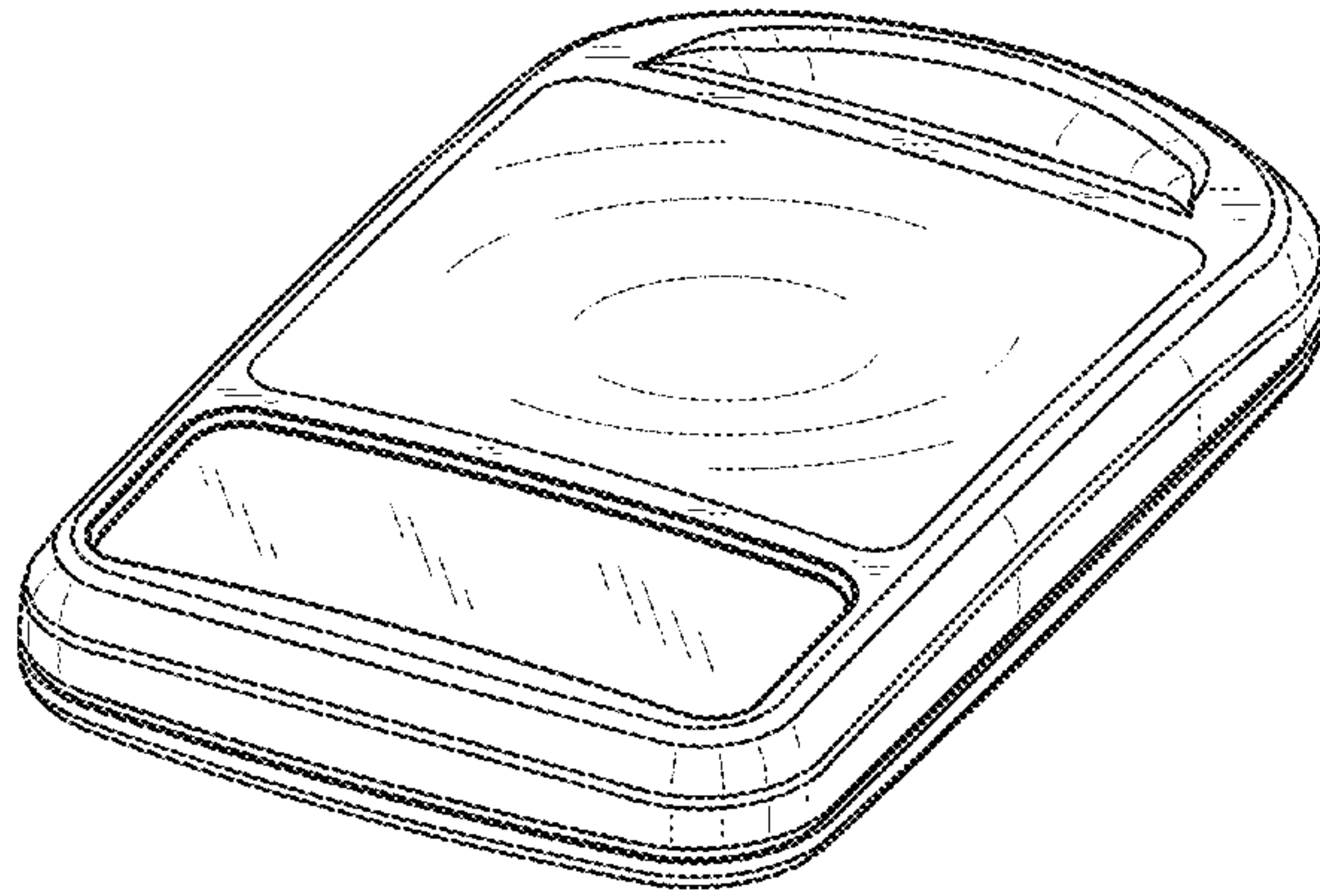


FIG. 1

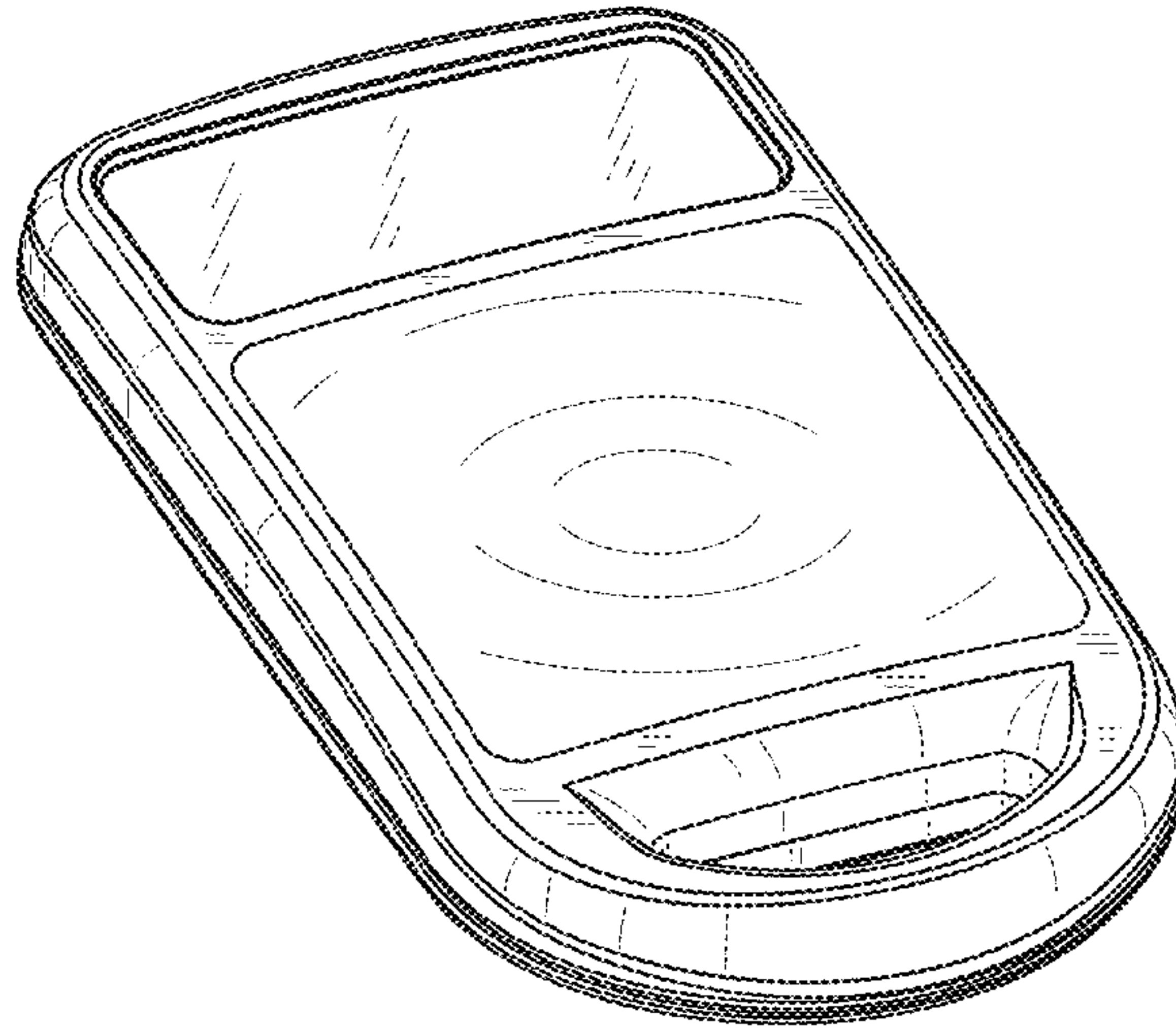


FIG. 2

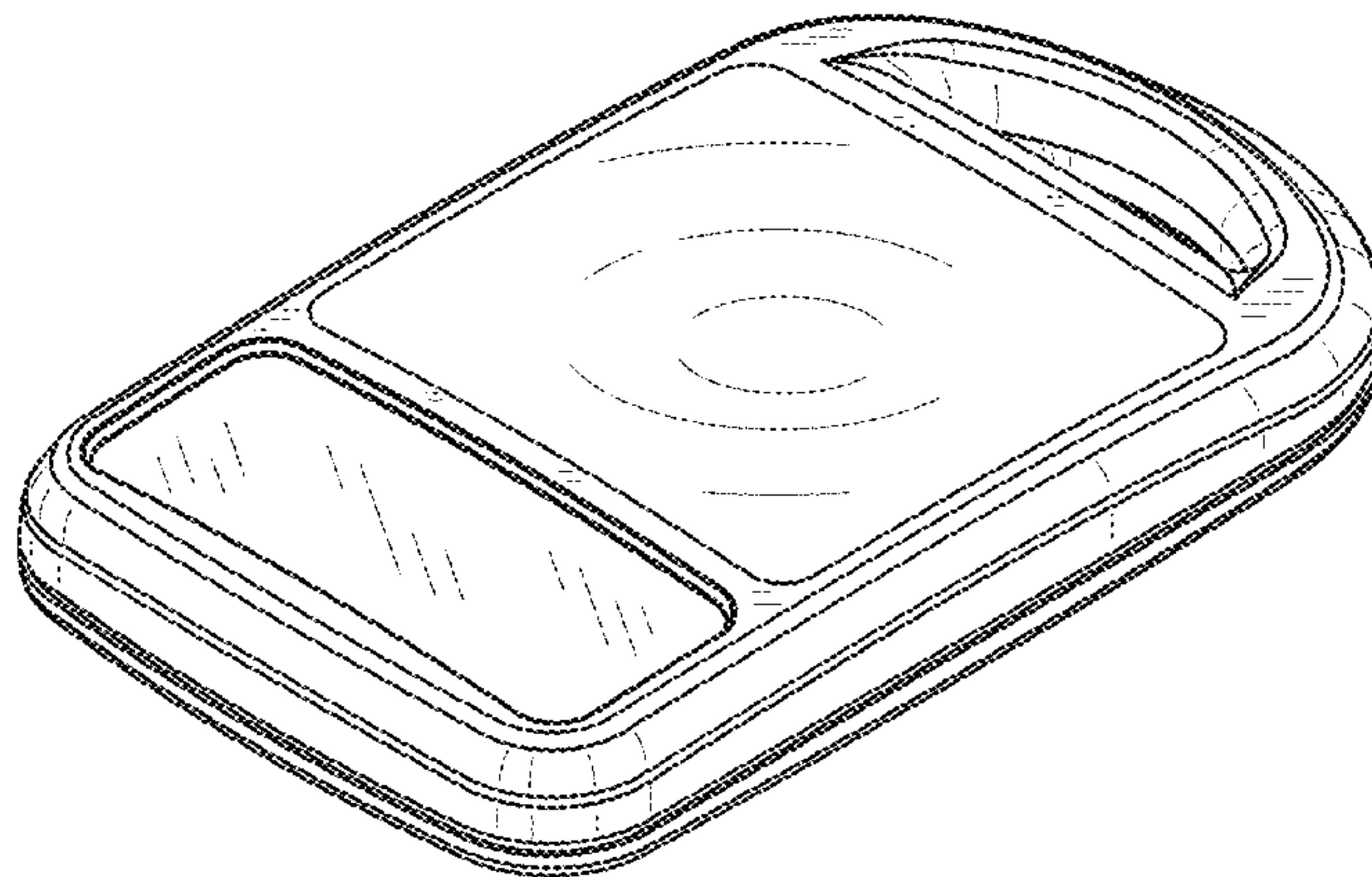


FIG. 3

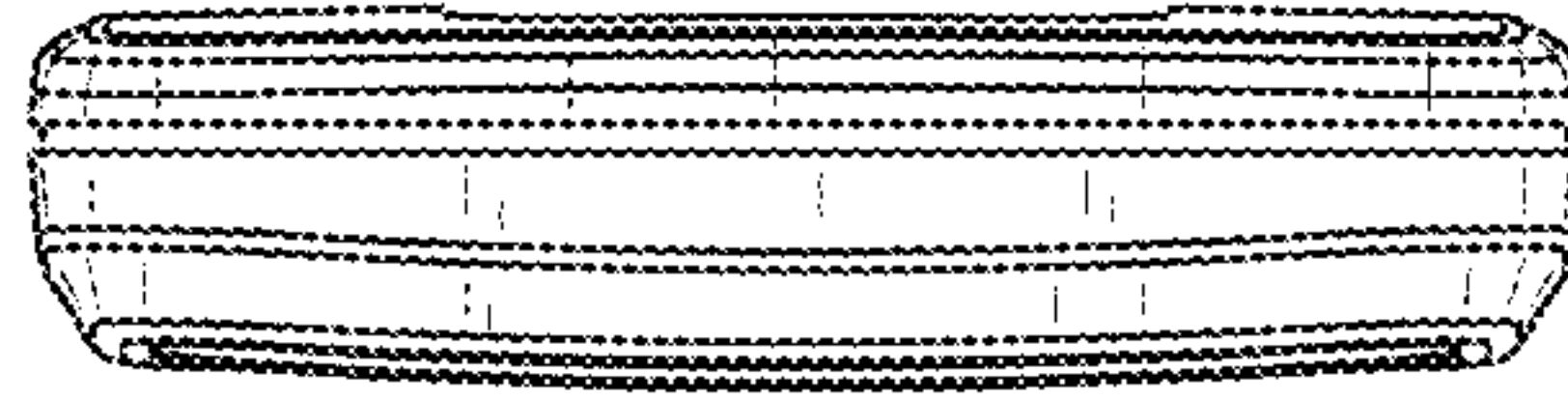


FIG. 4

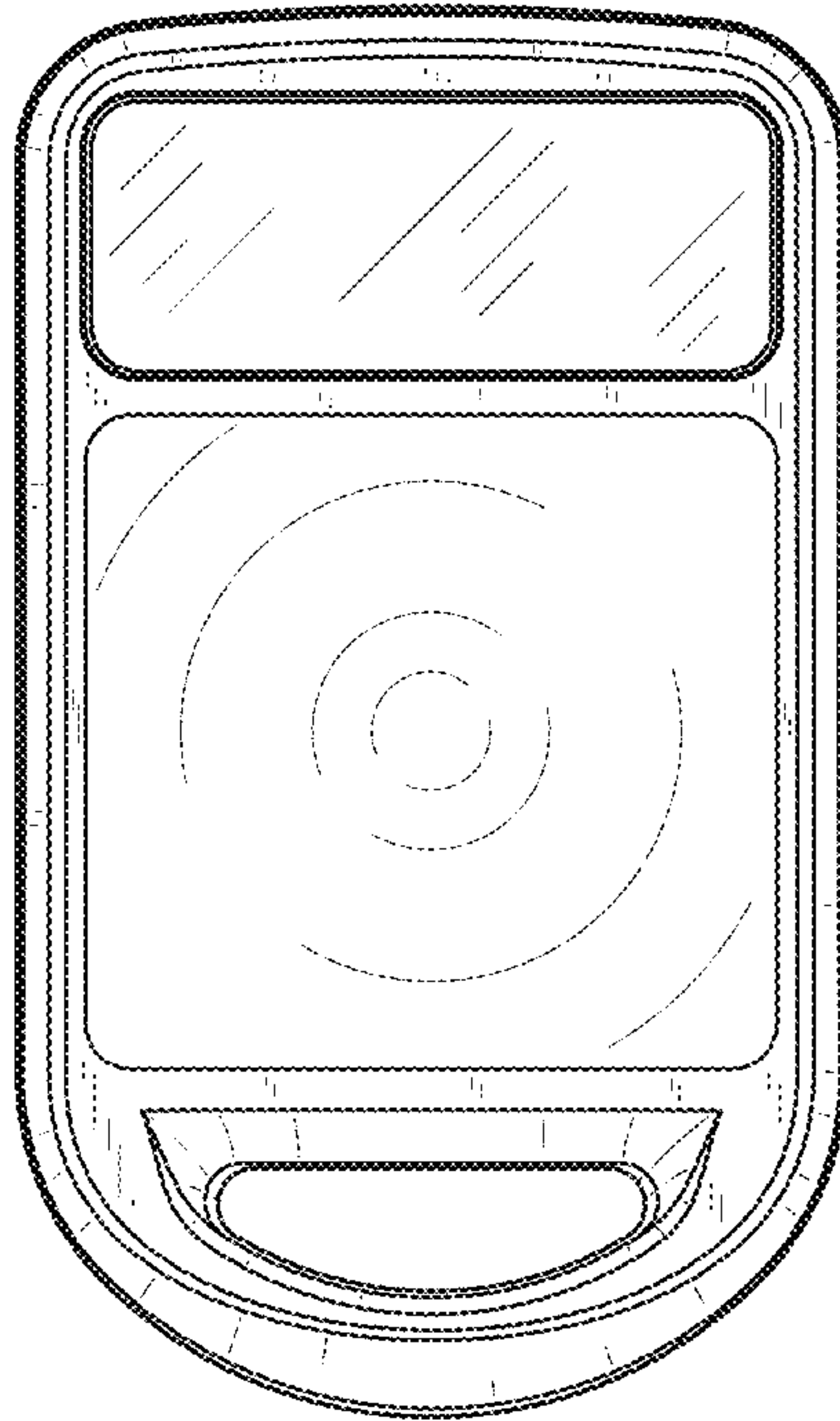


FIG. 5

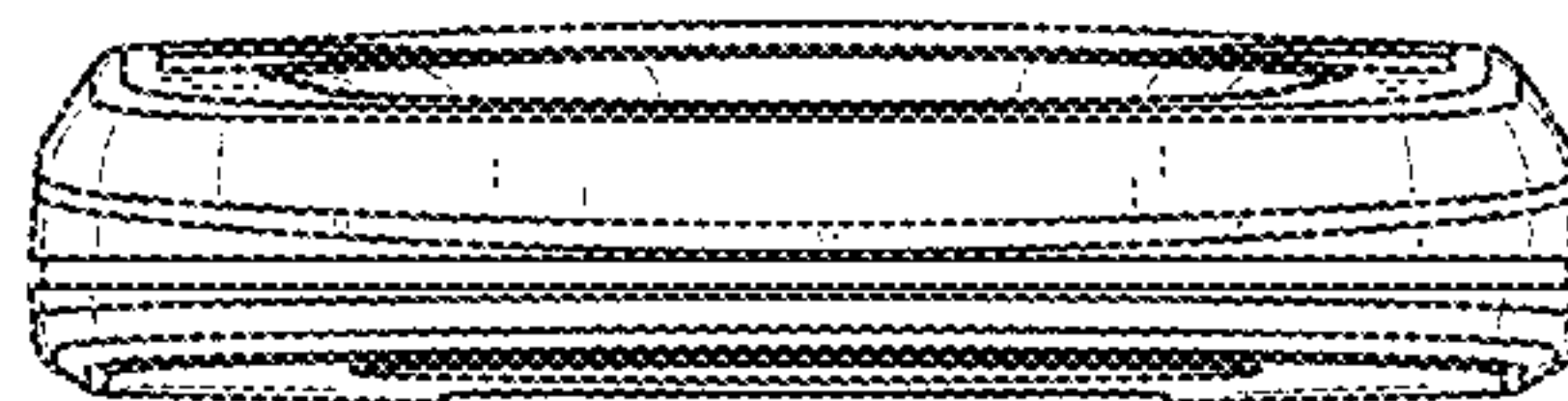


FIG. 6

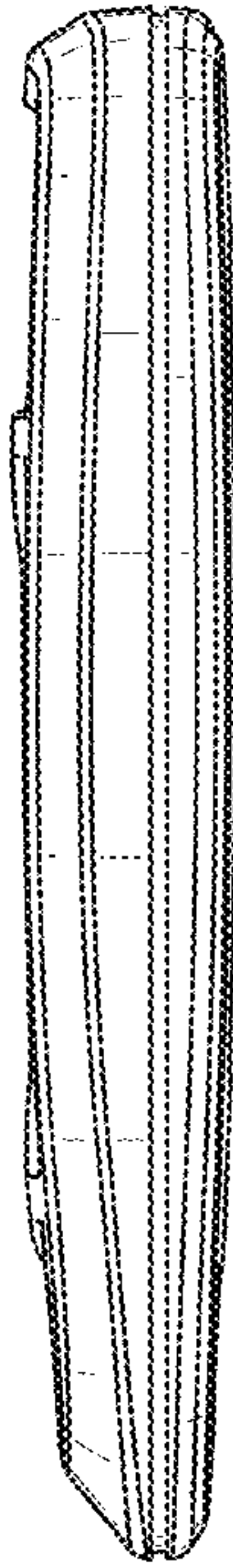


FIG. 7

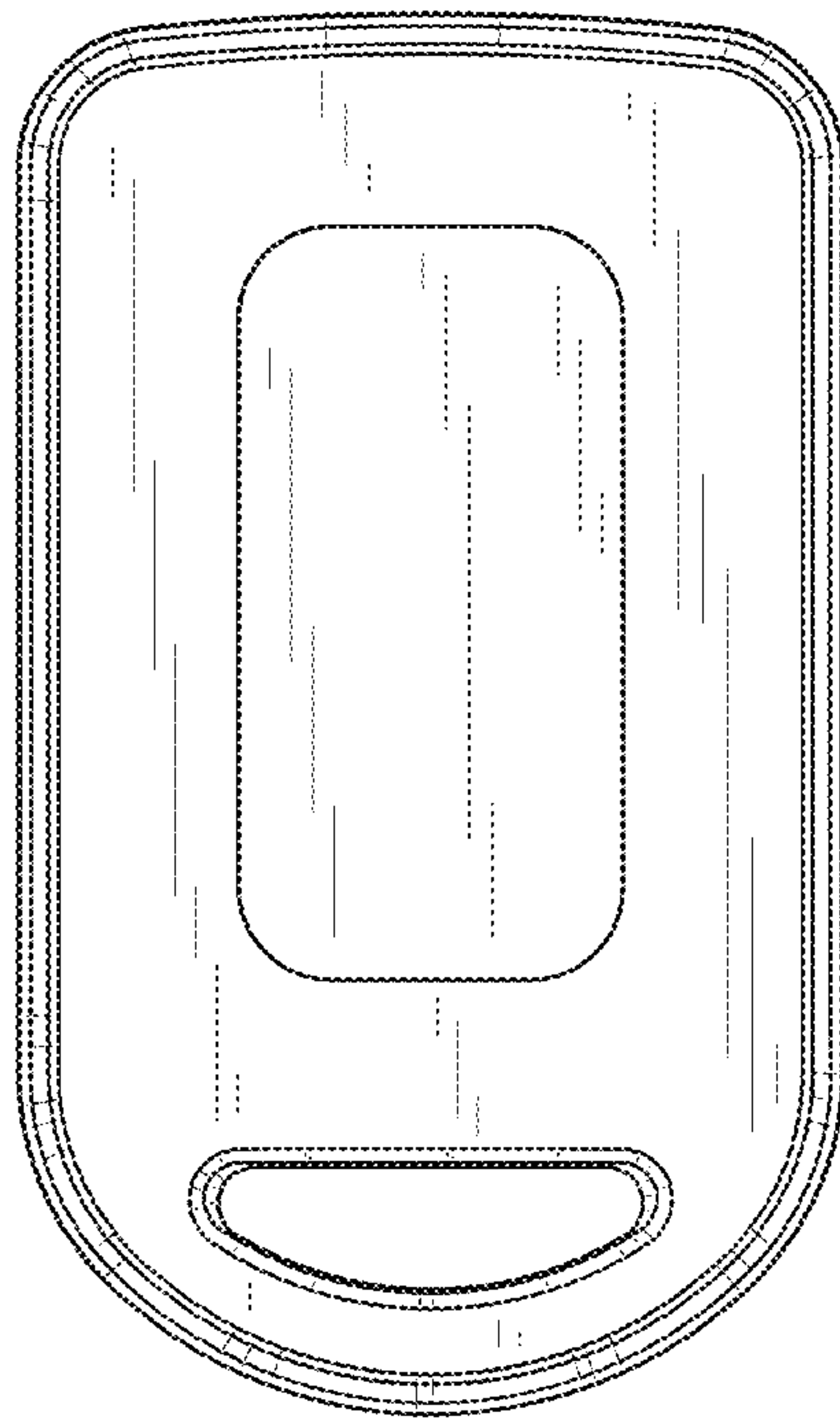


FIG. 8