



US00D698678S

(12) **United States Design Patent**
Varini

(10) **Patent No.:** **US D698,678 S**

(45) **Date of Patent:** **** Feb. 4, 2014**

(54) **MEASURING APPARATUS**

(75) Inventor: **Otto Varini**, Suzzara (IT)

(73) Assignee: **Piusi S.p.A.**, Suzzara (IT)

(**) Term: **14 Years**

(21) Appl. No.: **29/431,124**

(22) Filed: **Sep. 4, 2012**

(30) **Foreign Application Priority Data**

Mar. 7, 2012 (EM) 002004580

(51) **LOC (10) Cl.** **10-04**

(52) **U.S. Cl.**
USPC **D10/96**

(58) **Field of Classification Search**
USPC D10/96; 73/700-756, 861-861.41;
116/266-272

See application file for complete search history.

(56) **References Cited**

U.S. PATENT DOCUMENTS

D556,616 S * 12/2007 Preston et al. D10/96
D575,652 S * 8/2008 Varini D10/96
7,770,460 B1 * 8/2010 Chen et al. 73/756

* cited by examiner

Primary Examiner — Antoine D Davis

(74) *Attorney, Agent, or Firm* — Greer, Burns & Crain Ltd.

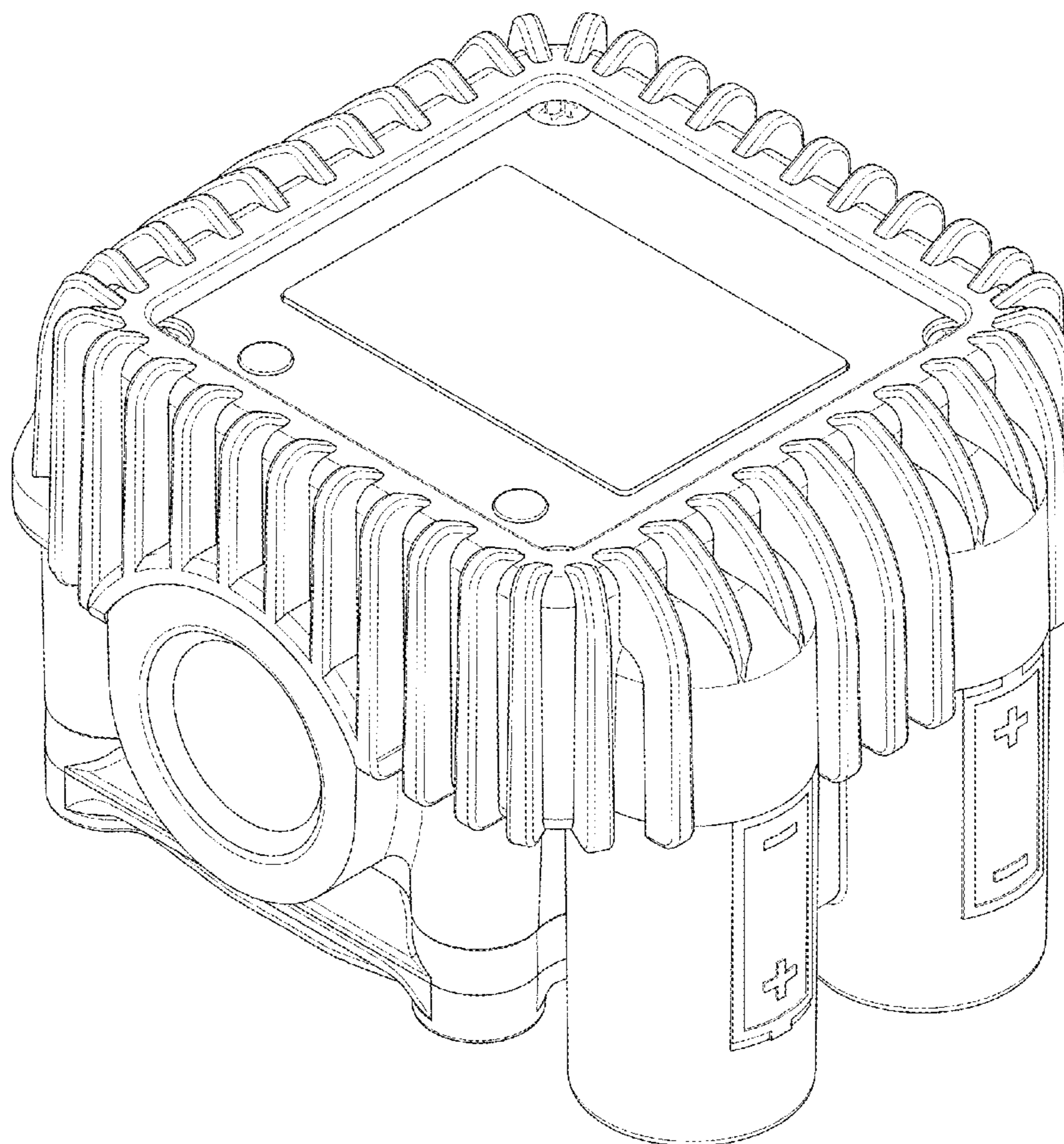
(57) **CLAIM**

The ornamental design for a measuring apparatus, as shown and described.

DESCRIPTION

FIG. 1 is a perspective view of a measuring apparatus showing my new design;
FIG. 2 is a front view thereof;
FIG. 3 is a rear view thereof;
FIG. 4 is a left side view thereof;
FIG. 5 is a right side view thereof;
FIG. 6 is a top view thereof; and,
FIG. 7 is a bottom view thereof.

1 Claim, 7 Drawing Sheets



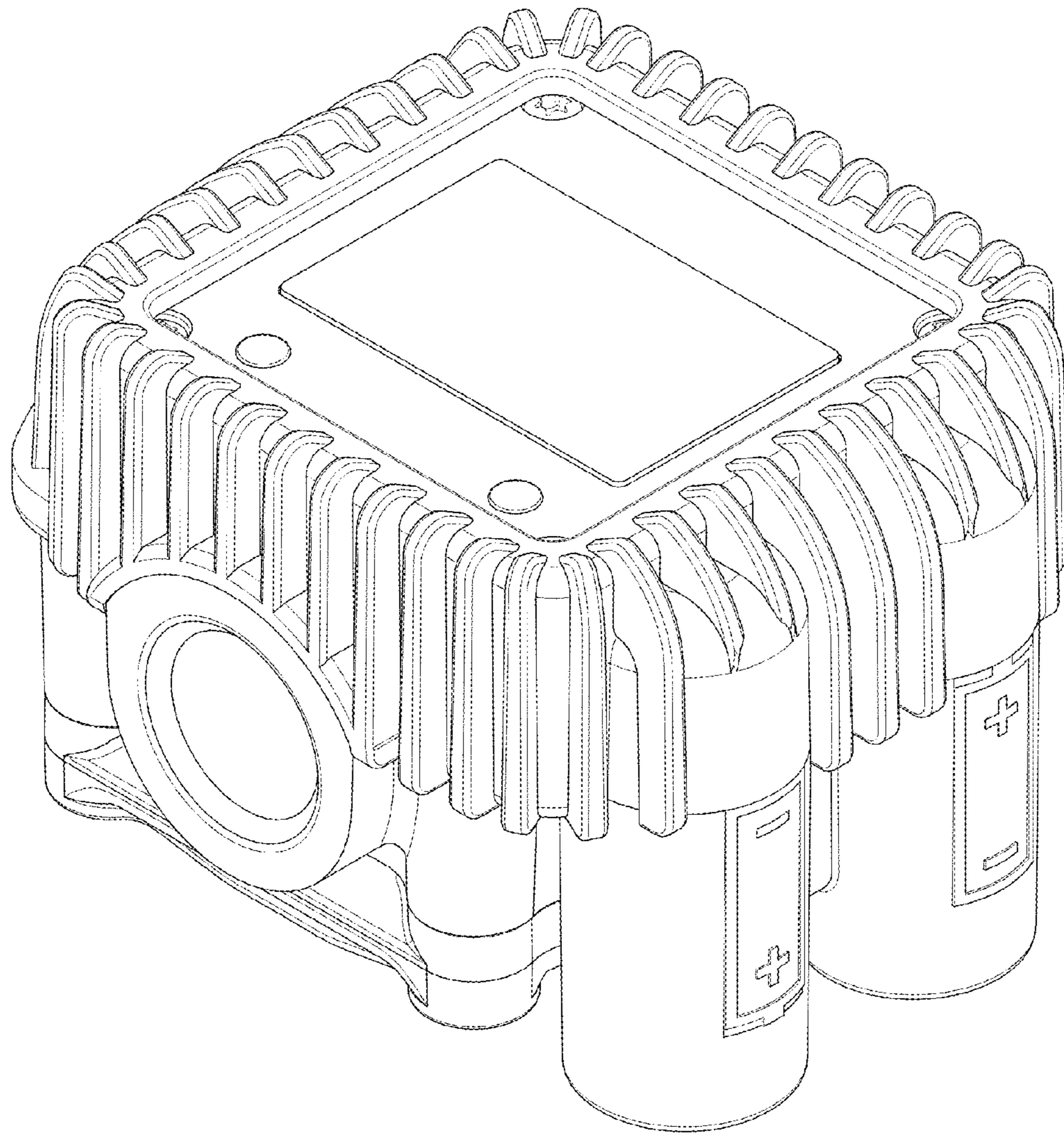


Fig. 1

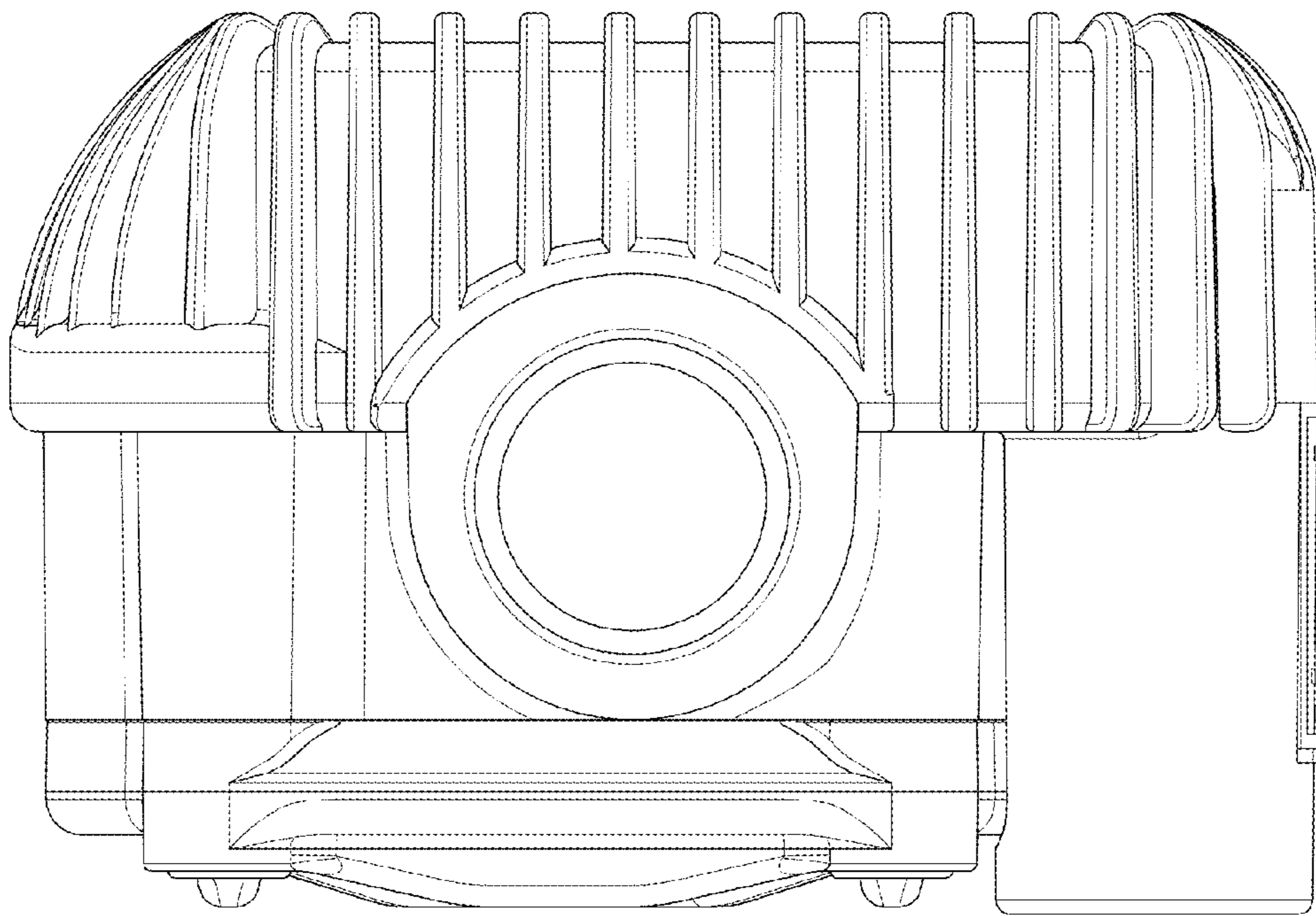


Fig. 2

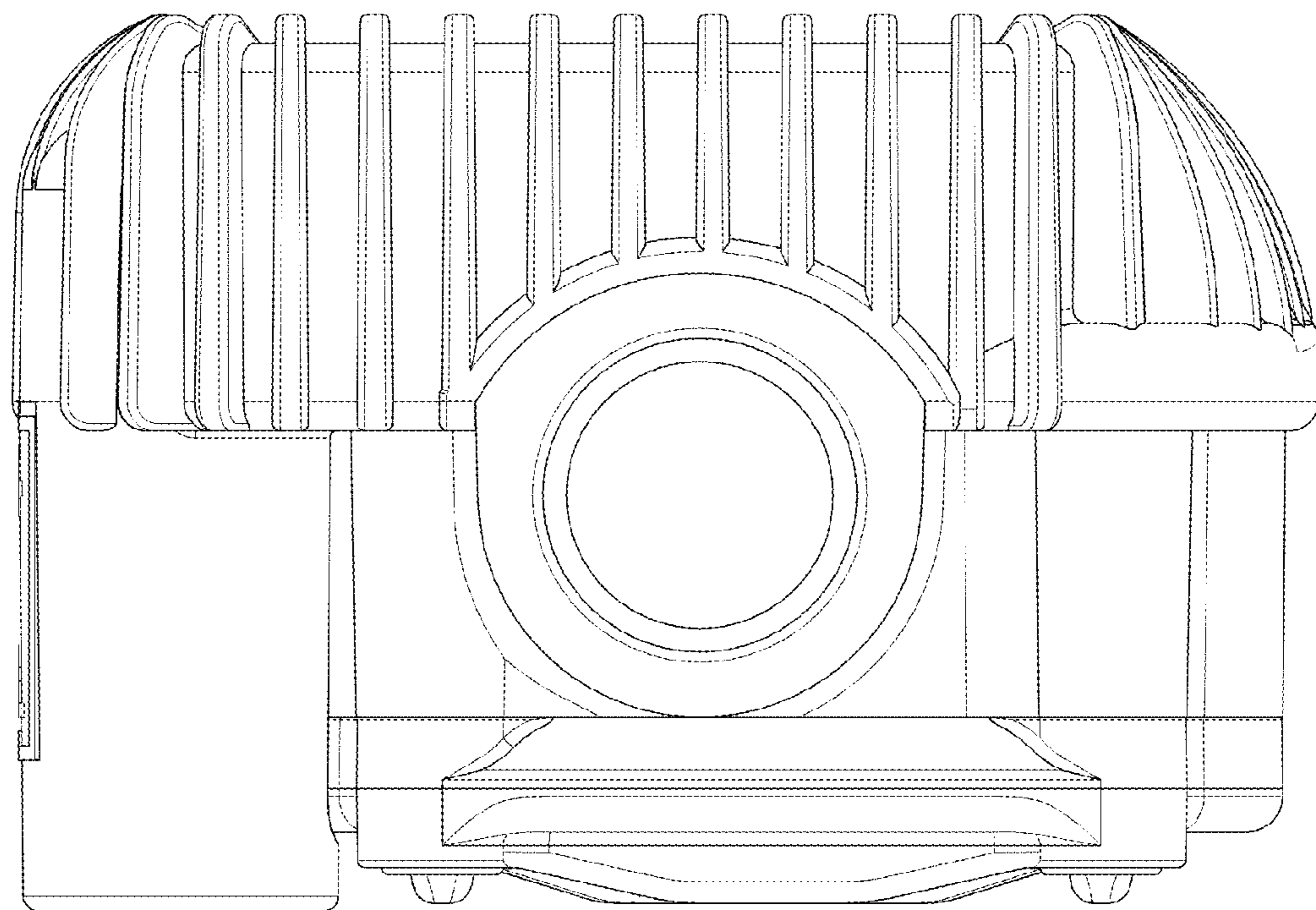


Fig. 3

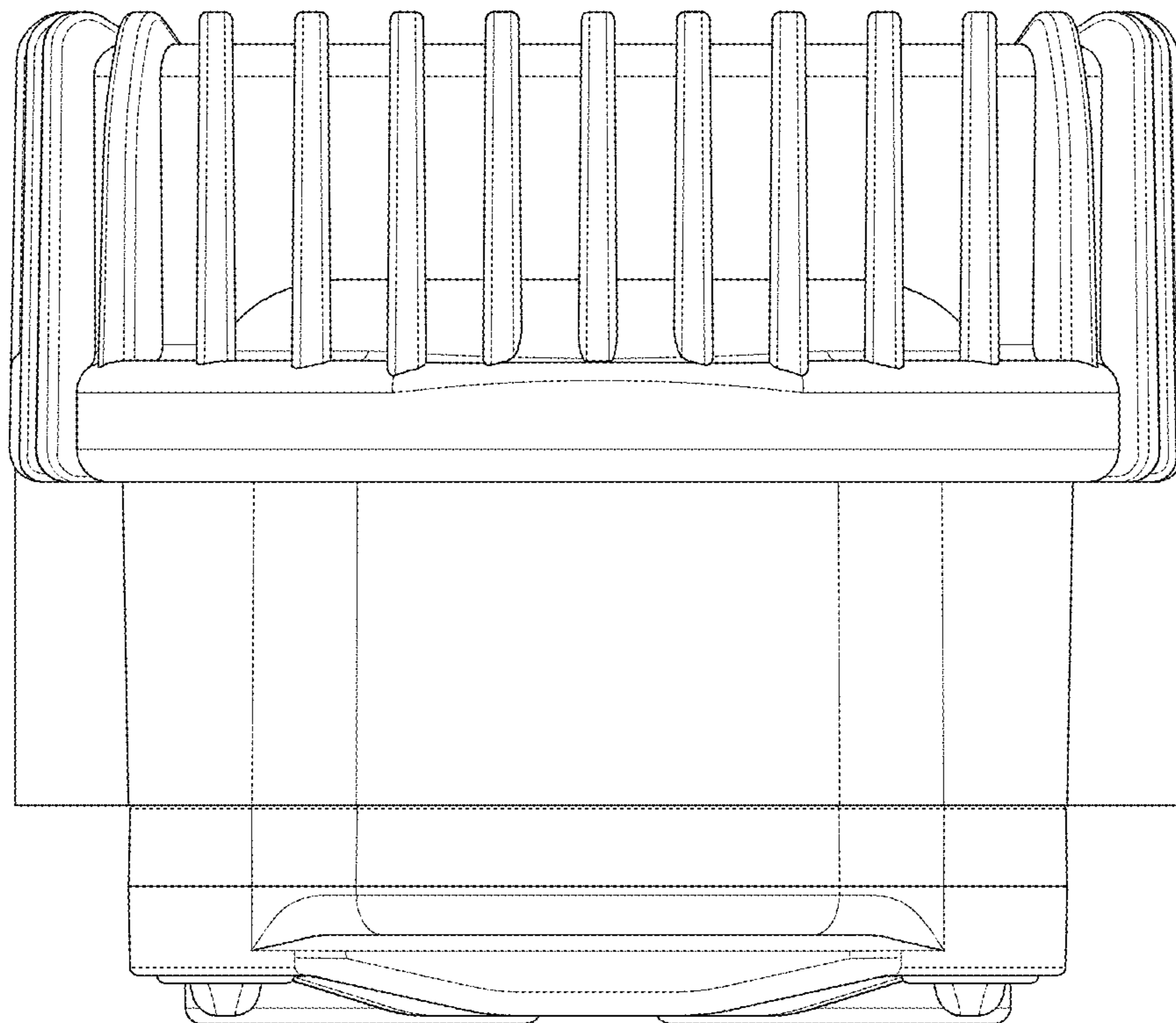


Fig. 4

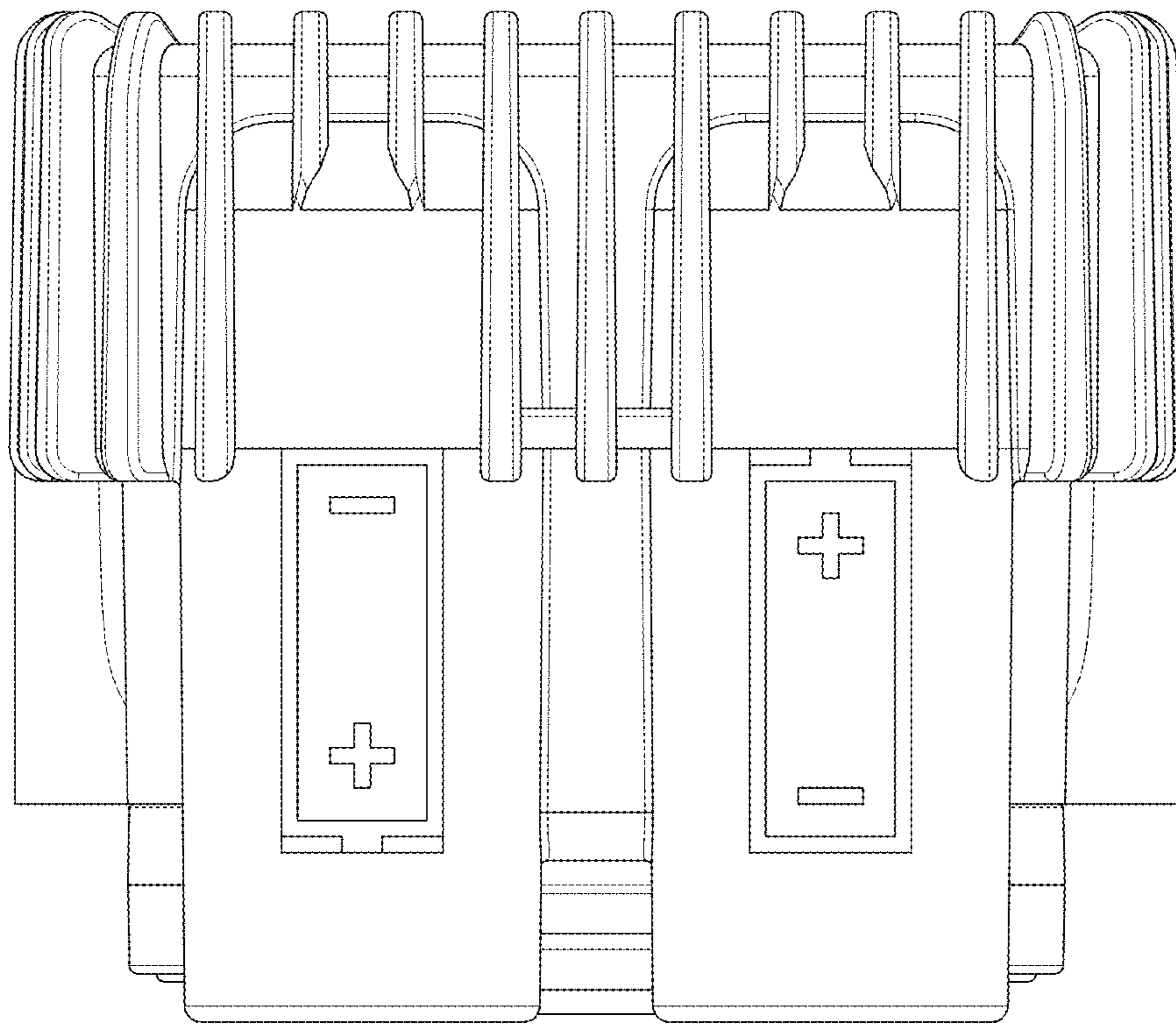


Fig. 5

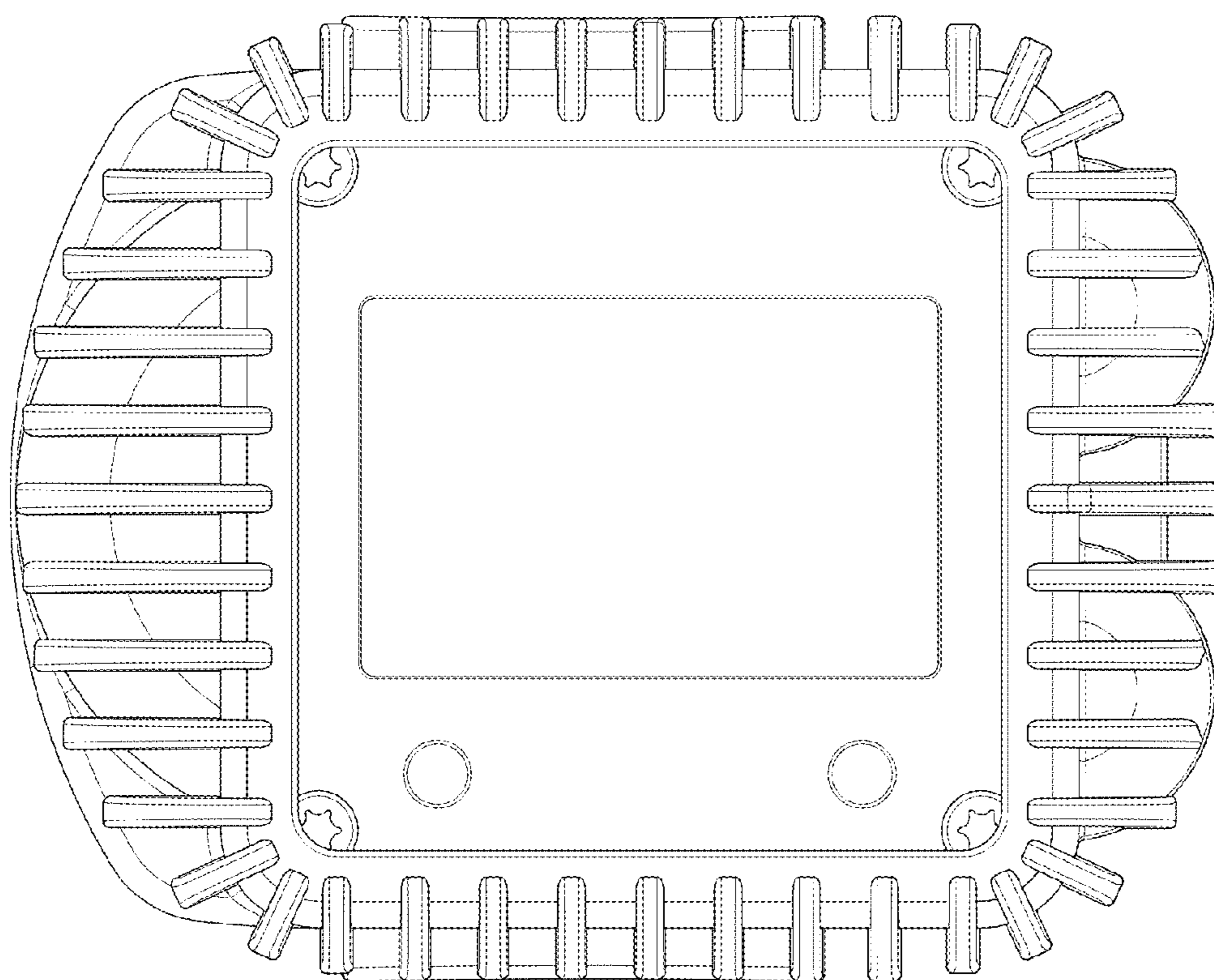


Fig. 6

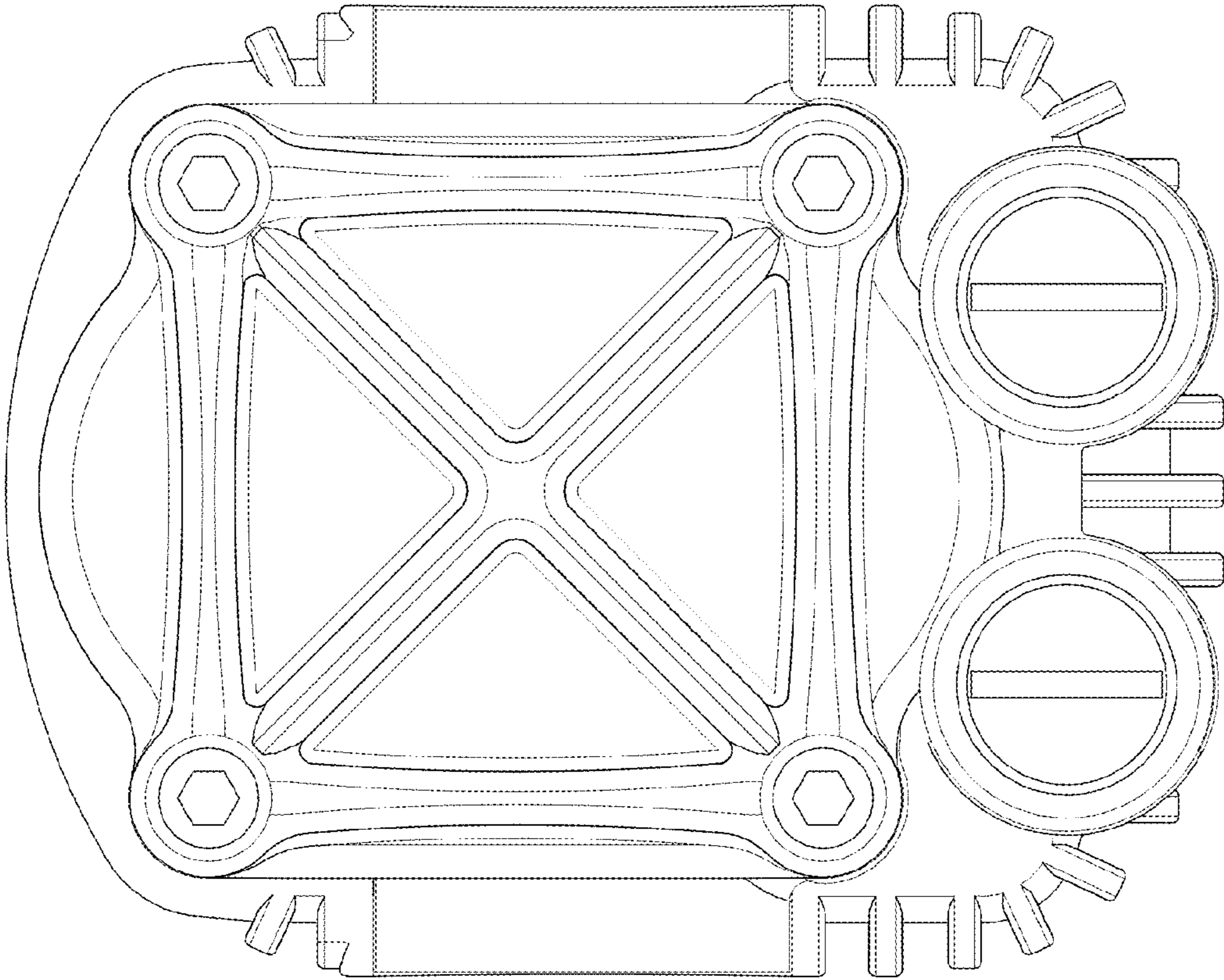


Fig. 7