



US00D698676S

(12) **United States Design Patent**
Yagi et al.

(10) **Patent No.:** **US D698,676 S**

(45) **Date of Patent:** **** Feb. 4, 2014**

(54) **VIBROMETER FOR PERSONAL DIGITAL ASSISTANT**

(75) Inventors: **Takeshi Yagi**, Tokyo (JP); **Sekiji Nakamichi**, Hamamatsu (JP)

(73) Assignee: **Nikon Corporation**, Tokyo (JP)

(**) Term: **14 Years**

(21) Appl. No.: **29/431,967**

(22) Filed: **Sep. 12, 2012**

(30) **Foreign Application Priority Data**

Mar. 21, 2012 (JP) 2012-006319

(51) **LOC (10) Cl.** **10-04**

(52) **U.S. Cl.**
USPC **D10/83; D10/94; D10/103**

(58) **Field of Classification Search**
USPC D10/83-85, 94, 103; 73/662-675, 651,
73/146, 583, 430, 649, 652; 116/281, 303;
310/25; 361/280; 356/502; 606/407

See application file for complete search history.

(56) **References Cited**

U.S. PATENT DOCUMENTS

3,463,946 A * 8/1969 Zimmerman 310/25
8,288,876 B2 * 10/2012 Chiou 438/617

* cited by examiner

Primary Examiner — Antoine D Davis

(74) *Attorney, Agent, or Firm* — Wolf, Greenfield & Sacks, P.C.; Randy J. Pritzker

(57) **CLAIM**

The ornamental design for a vibrometer for personal digital assistant, as shown and described.

DESCRIPTION

FIG. 1 is a rear perspective view of a vibrometer for personal digital assistant showing our new design;
FIG. 2 is a rear view thereof;
FIG. 3 is a top plan view thereof;
FIG. 4 is a bottom plan view thereof;
FIG. 5 is a right side view thereof; and,
FIG. 6 is a left side view thereof.

The features shown in broken lines in the drawings depict environmental subject matter only and form no part of the claimed design. The dash-dotted lines in FIG. 1 and FIG. 2 denote the boundary of the claim and form no part of the claimed design.

1 Claim, 6 Drawing Sheets

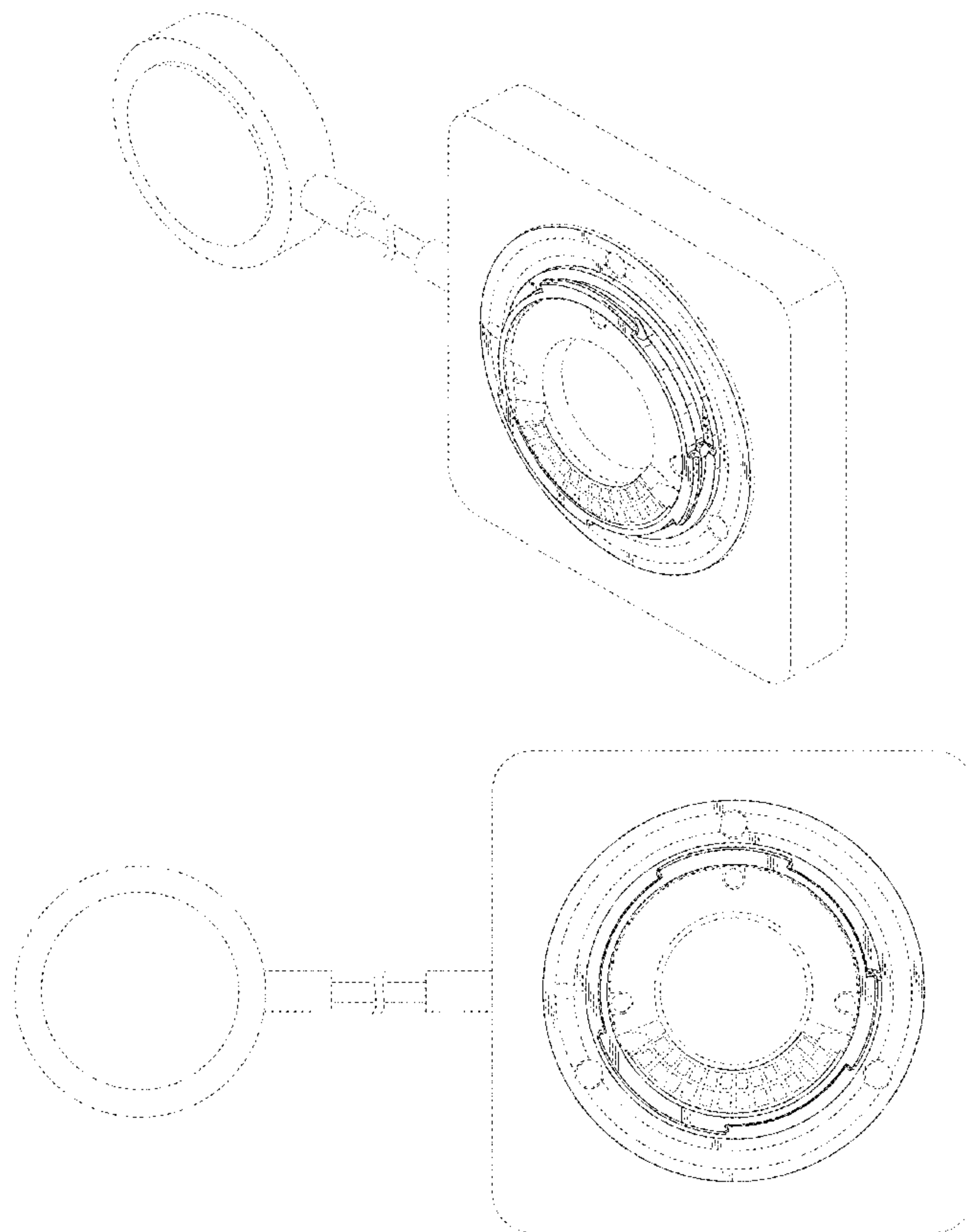


FIG. 1

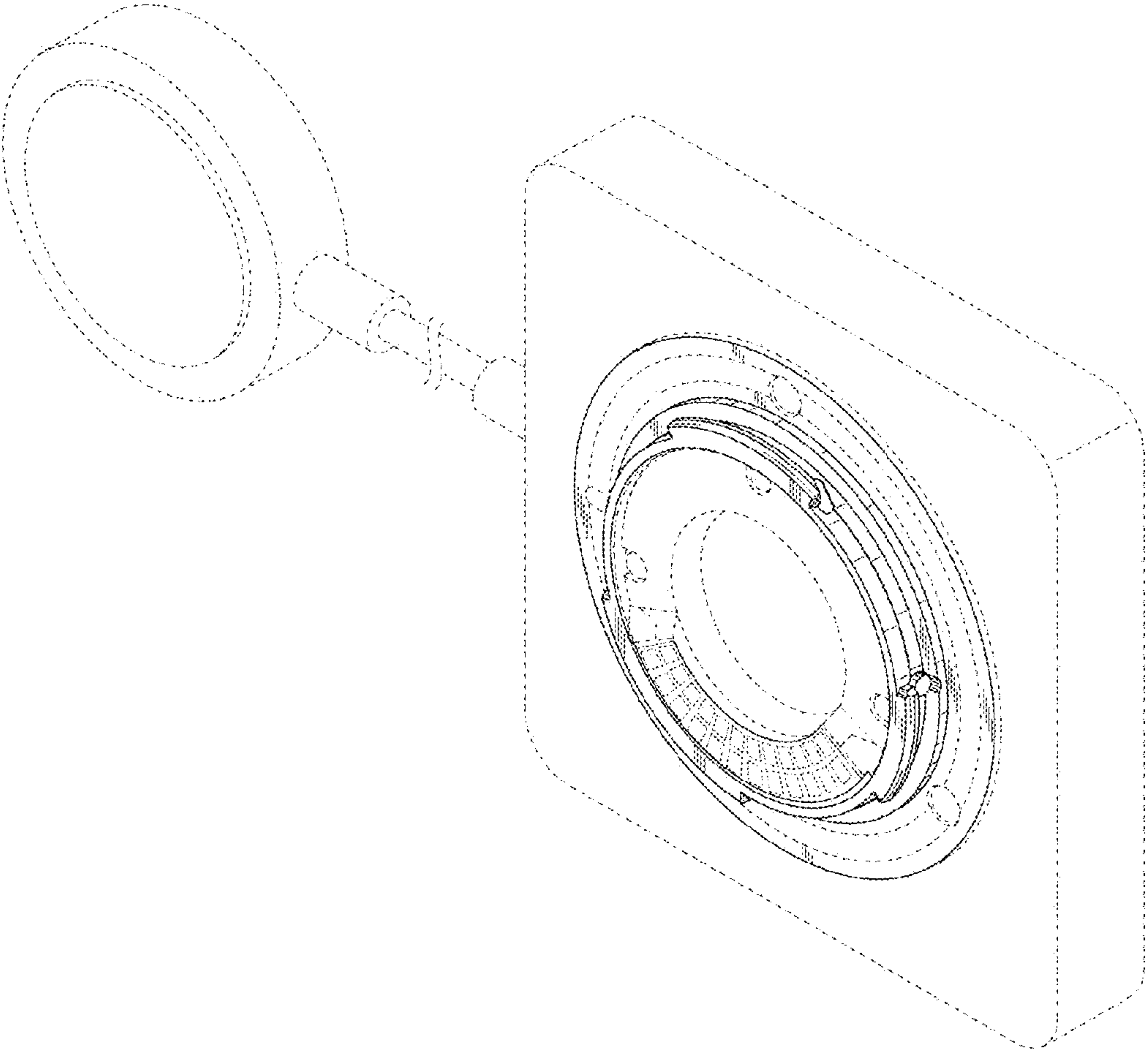


FIG. 2

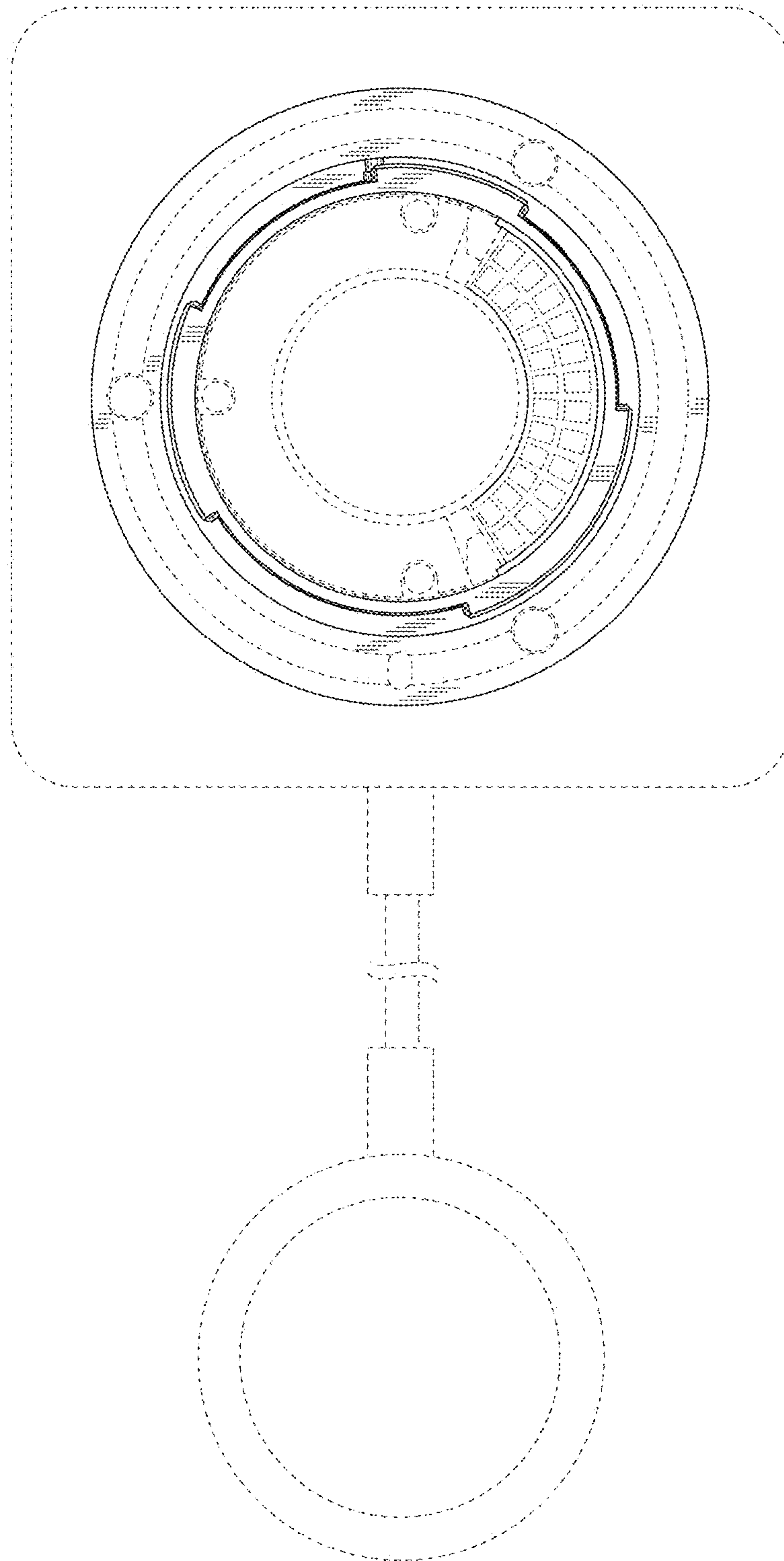


FIG. 3

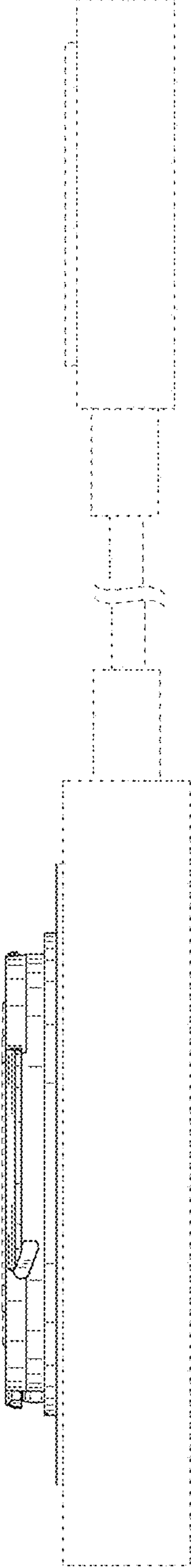


FIG. 4

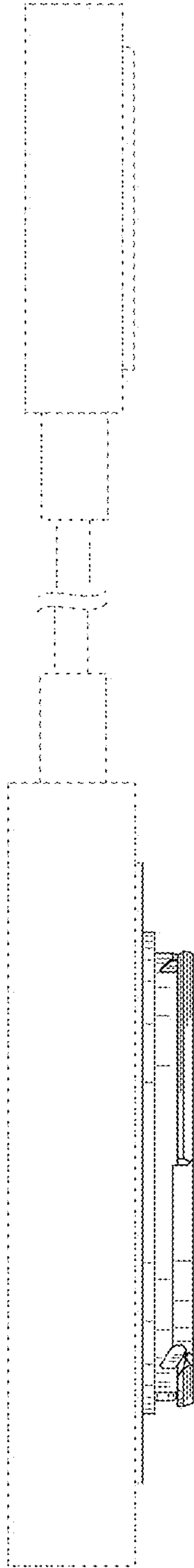


FIG. 5

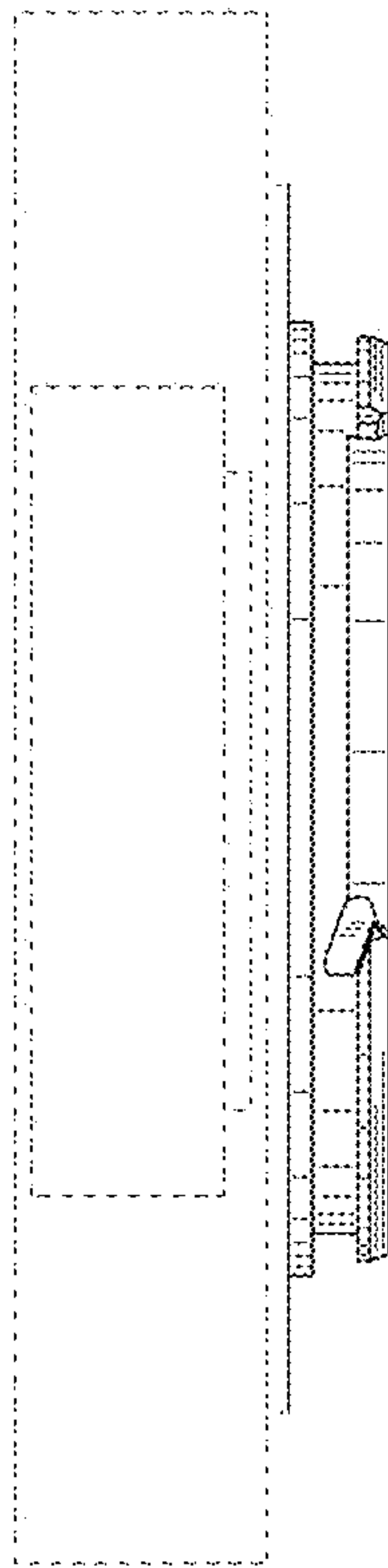


FIG. 6

