



US00D698675S

(12) **United States Design Patent**
Sallander

(10) **Patent No.:** **US D698,675 S**
(45) **Date of Patent:** **** Feb. 4, 2014**

(54) **DIAGNOSTIC APPARATUS**

(71) Applicant: **Martin Sallander**, Joenkoeping (SE)
(72) Inventor: **Martin Sallander**, Joenkoeping (SE)
(73) Assignee: **Autocom Diagnostic Partner AB**,
Trollhaettan (SE)
(**) Term: **14 Years**
(21) Appl. No.: **29/434,481**
(22) Filed: **Oct. 12, 2012**

(30) **Foreign Application Priority Data**

May 8, 2012 (EM) 002038356-0001

(51) **LOC (10) Cl.** **10-04**

(52) **U.S. Cl.**
USPC **D10/78**

(58) **Field of Classification Search**

USPC D10/78; D14/203.3, 203.7, 341, 426,
D14/507; 235/472.01, 472.03; 307/9.1;
320/104; 324/73.1, 378, 426; 340/438;
361/679.01, 679.03, 679.09, 679.19,
361/679.55; 375/225; 701/29.1-34.4;
702/108, 119, 123, 182, 183; 714/25,
714/708, E11.207; 717/136, 142, 143

See application file for complete search history.

(56) **References Cited**

U.S. PATENT DOCUMENTS

5,659,680	A *	8/1997	Cunningham et al.	714/25
6,988,053	B2 *	1/2006	Namaky	702/183
7,085,680	B2 *	8/2006	Huang	702/183
7,505,837	B2 *	3/2009	Somos	701/33.9
D625,209	S *	10/2010	Chen et al.	D10/78
D625,210	S *	10/2010	Chen et al.	D10/78
7,979,178	B2 *	7/2011	Bertosa et al.	701/31.4
D646,188	S *	10/2011	Chen et al.	D10/78
D646,599	S *	10/2011	Chen et al.	D10/78
D655,212	S *	3/2012	Wong	D10/78
8,296,008	B2 *	10/2012	Sampson et al.	701/31.5
8,392,053	B2 *	3/2013	Gilbert	701/29.1

* cited by examiner

Primary Examiner — Antoine D Davis

(74) *Attorney, Agent, or Firm* — Andrew Wilford

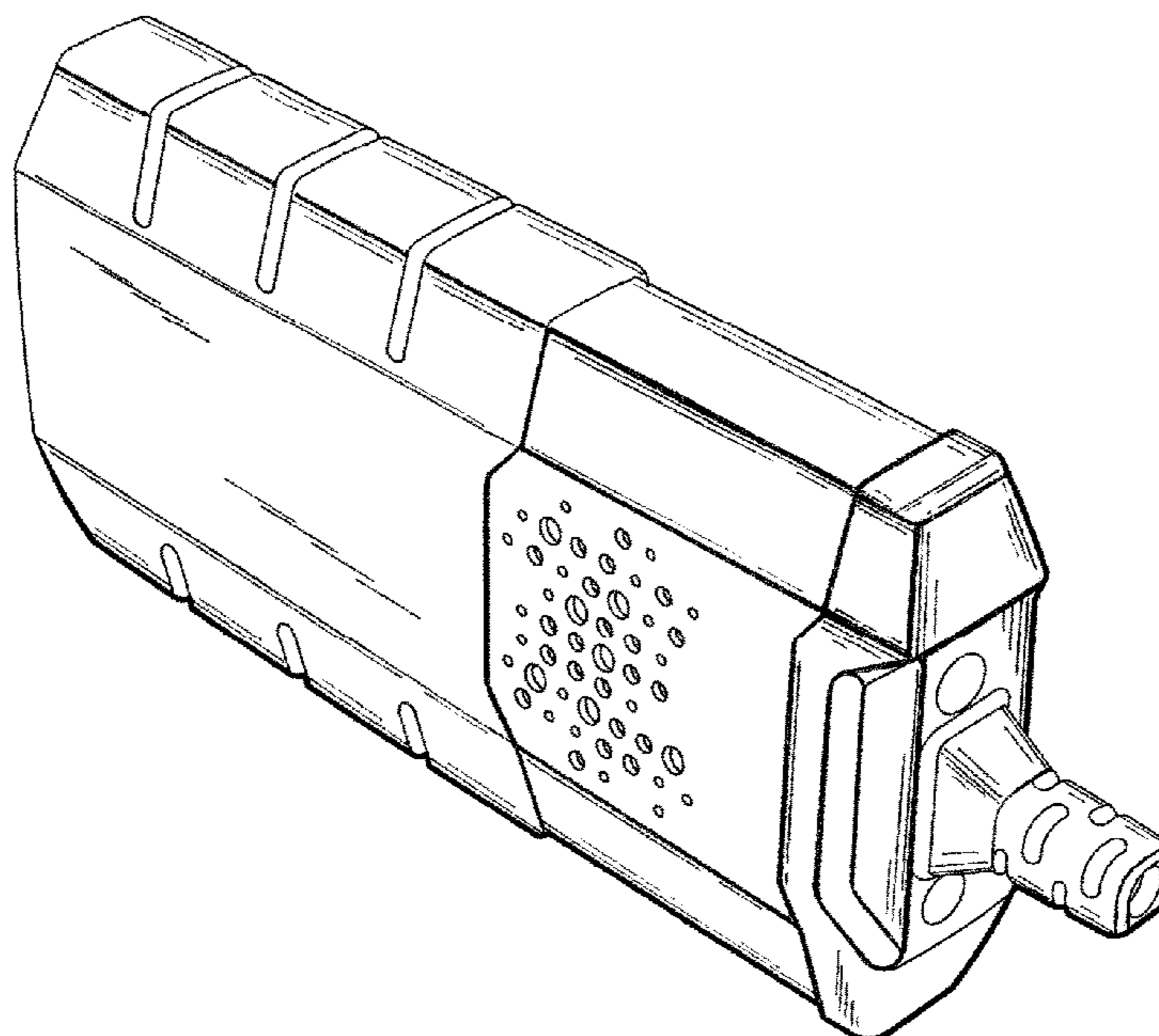
(57) **CLAIM**

The ornamental design for a diagnostic apparatus, as shown and described.

DESCRIPTION

FIG. 1 is a perspective view of the invention;
FIG. 2 is an elevational front view of the invention;
FIG. 3 is an elevational back view of the invention;
FIG. 4 is an elevational end view as seen from the left in FIG. 2, the abbreviation "REC" being disclaimed;
FIG. 5 is an elevational end view as seen from the right in FIG. 2; and,
FIG. 6 is a side view as seen from below in FIG. 2, the side view as seen from above being identical.

1 Claim, 3 Drawing Sheets



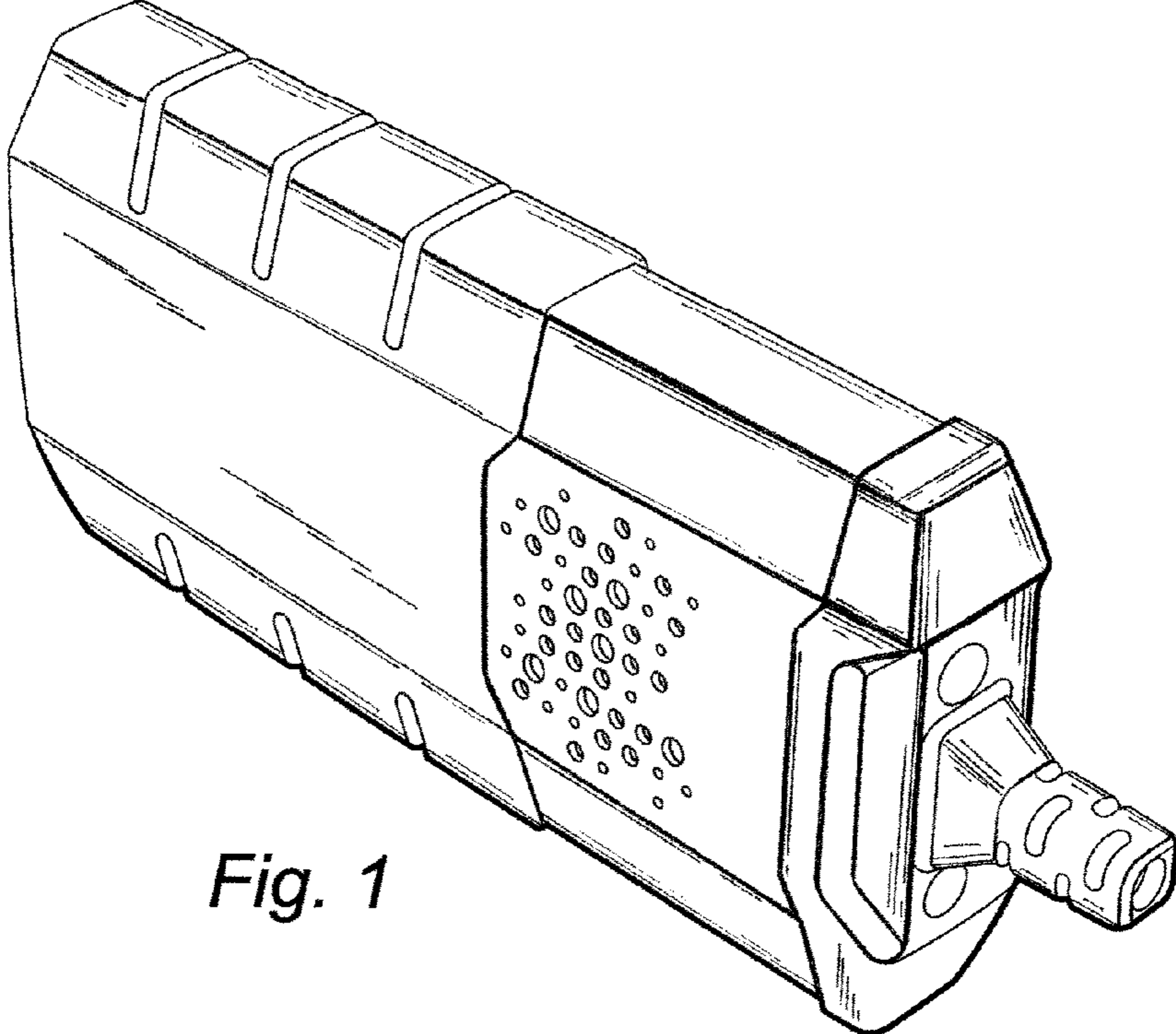


Fig. 1

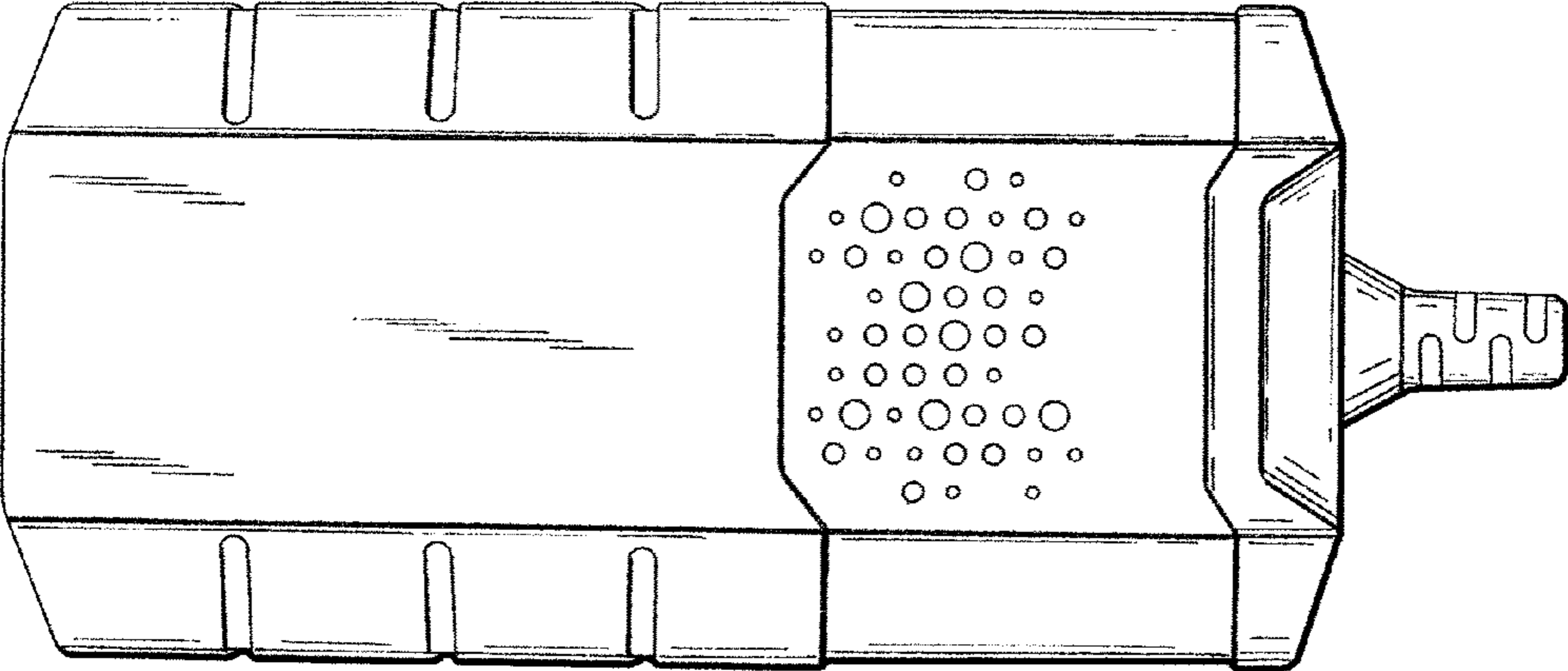


Fig. 2

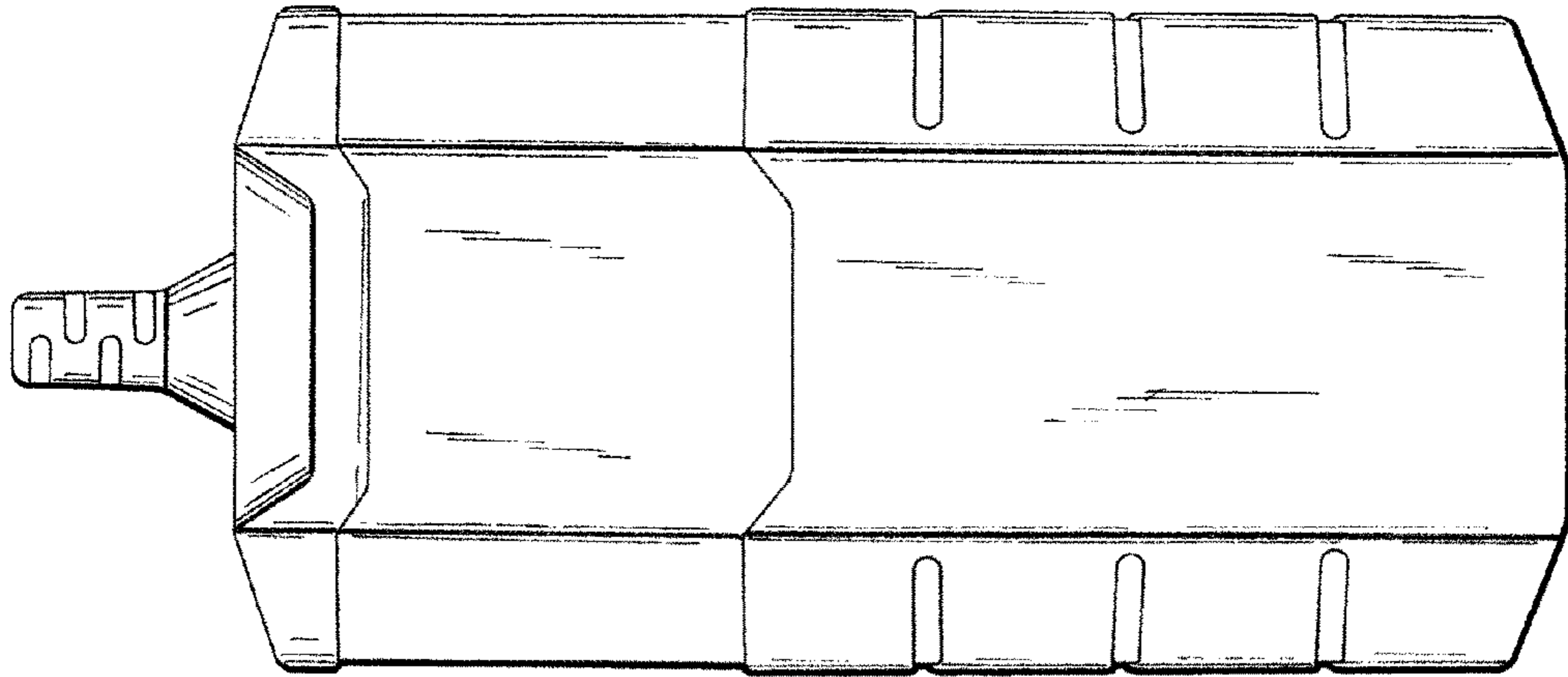


Fig. 3

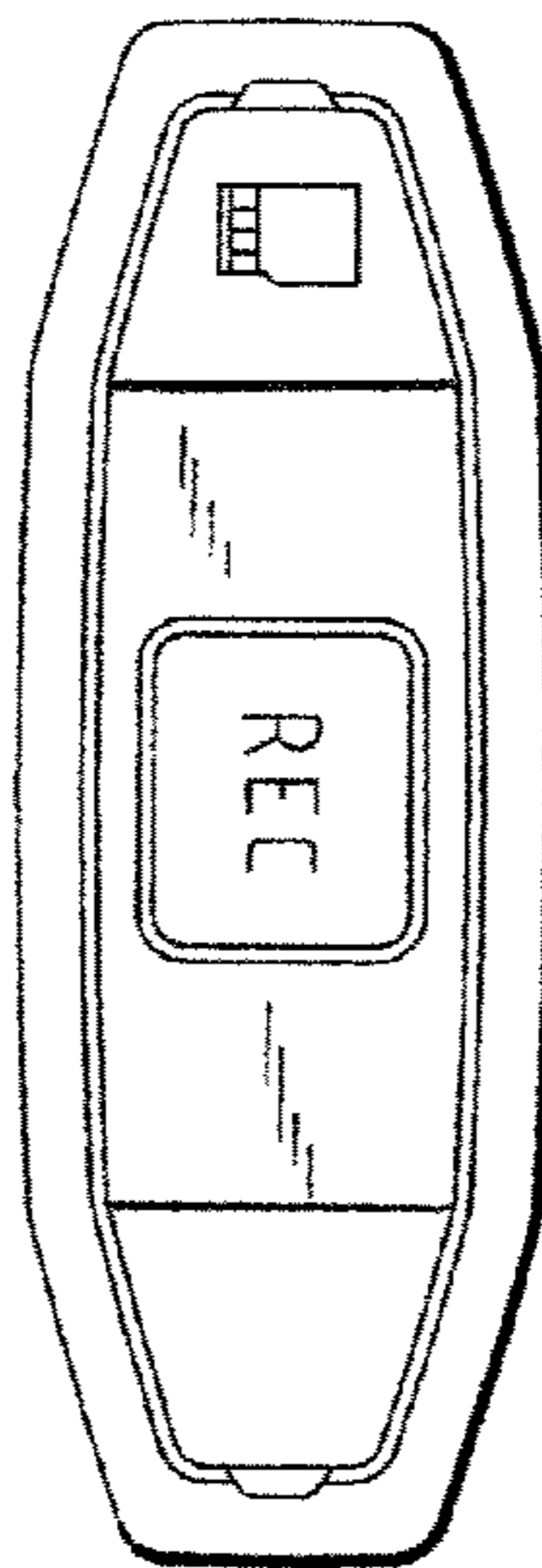


Fig. 4

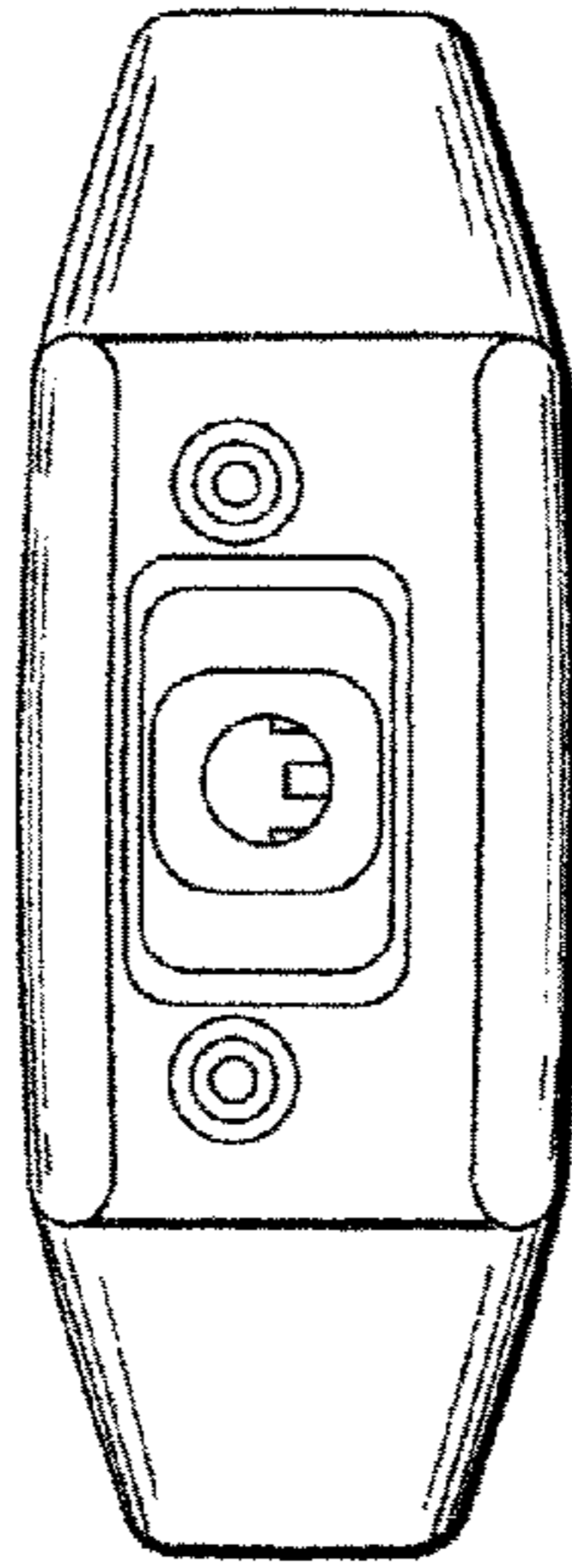


Fig. 5

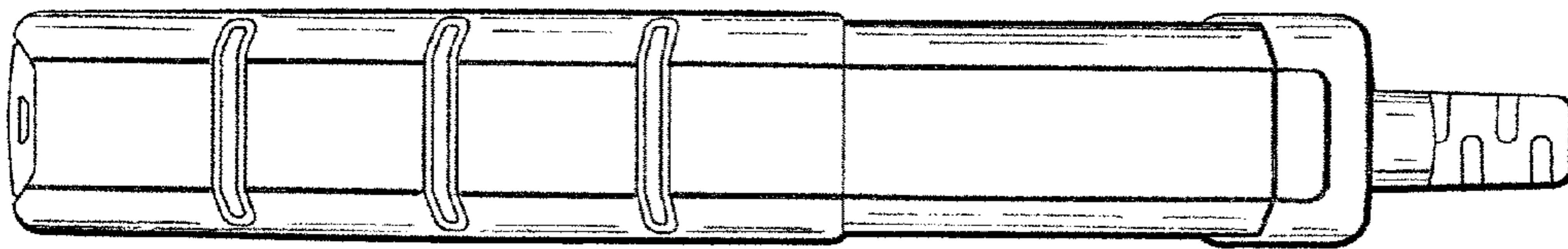


Fig. 6