



US00D698670S

(12) **United States Design Patent**  
**Luo et al.**

(10) **Patent No.:** **US D698,670 S**  
(45) **Date of Patent:** **\*\* Feb. 4, 2014**

(54) **HUMIDITY AND/OR TEMPERATURE SENSOR**

(75) Inventors: **An Luo**, Shanghai (CN); **Jia Ou Zhang**, Beijing (CN)

(73) Assignee: **Siemens Aktiengesellschaft**, Munich (DE)

(\*\*) Term: **14 Years**

(21) Appl. No.: **29/419,564**

(22) Filed: **Apr. 30, 2012**

(30) **Foreign Application Priority Data**

Oct. 28, 2011 (CN) ..... 2011 3 0390492

(51) **LOC (10) Cl.** ..... **10-04**

(52) **U.S. Cl.**  
USPC ..... **D10/49; D10/50**

(58) **Field of Classification Search**  
USPC ..... D10/49-50; D13/162; 55/270, 274, 55/279, DIG. 7, DIG. 34; 62/176.6, 62/125-130, 78, 180, 186; 73/23.2, 23.34, 73/31.01, 31.02, 431, 170.16-170.19, 73/170.21-170.25, 863.12, 29, 29.02, 73/335.01-335.14; 236/46 R, 47, 94, 44 C, 236/44 R, 49.3, 44 A, 96; 337/112, 327, 360; 340/602, 627, 632, 634; 361/346; 364/141, 146, 147, 188, 420, 557; 454/229, 239, 256, 257, 258; 700/18, 700/159, 181

See application file for complete search history.

(56) **References Cited**

U.S. PATENT DOCUMENTS

D275,459 S \* 9/1984 Dean ..... D10/49  
D487,021 S \* 2/2004 Chen ..... D10/50  
D653,129 S \* 1/2012 Pages ..... D10/49

\* cited by examiner

*Primary Examiner* — Antoine D Davis

(74) *Attorney, Agent, or Firm* — Staas & Halsey LLP

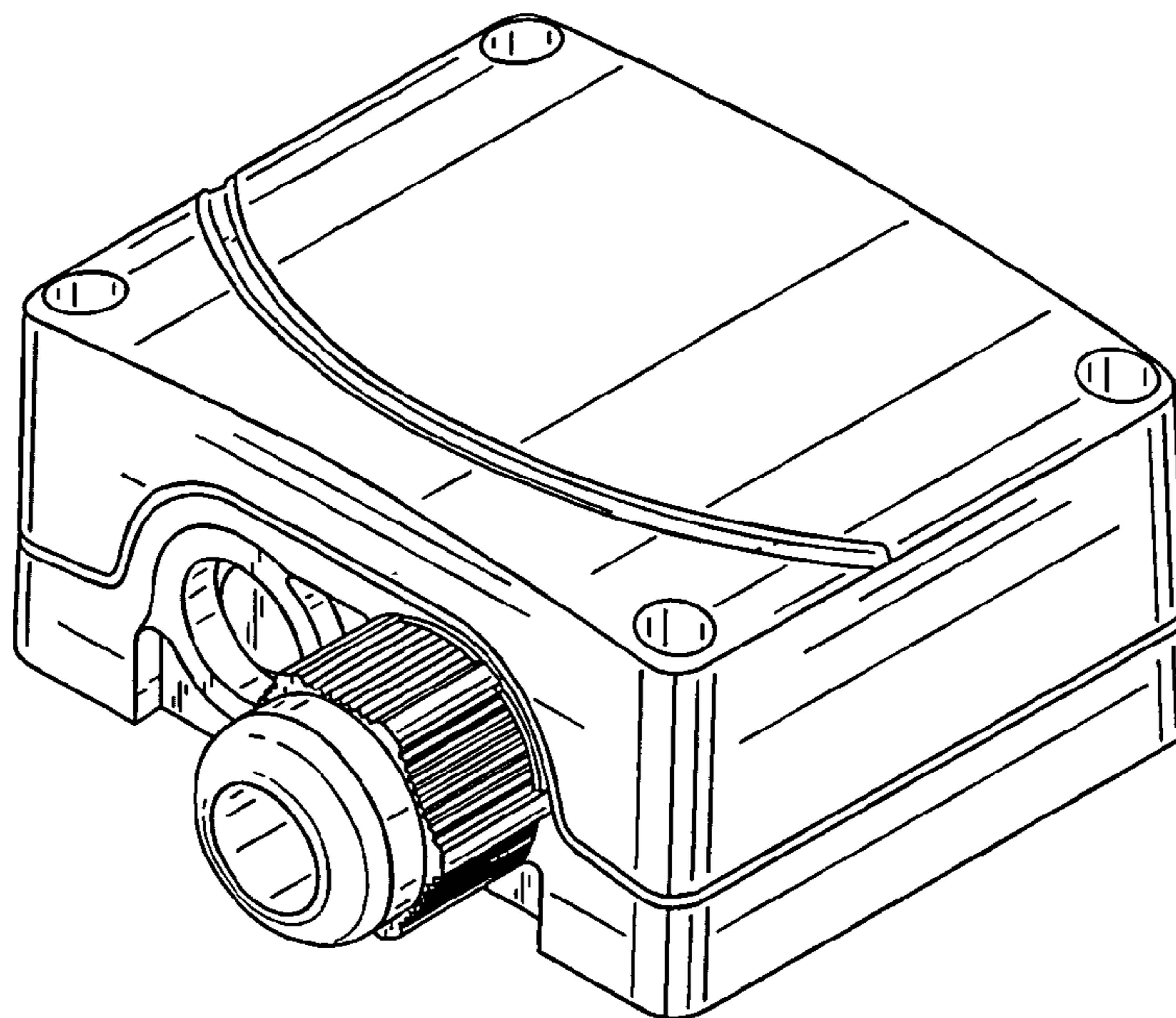
(57) **CLAIM**

The ornamental design for a humidity and/or temperature sensor, as shown and described.

**DESCRIPTION**

FIG. 1 is a top view of a humidity and/or temperature sensor; FIG. 2 is a bottom view of the humidity and/or temperature sensor of FIG. 1; FIG. 3 is a left-side view of the humidity and/or temperature sensor of FIG. 1; FIG. 4 is a right-side view of the humidity and/or temperature sensor of FIG. 1; FIG. 5 is a rear view of the humidity and/or temperature sensor of FIG. 1; FIG. 6 is a front view of the humidity and/or temperature sensor of FIG. 1; and, FIG. 7 is a perspective view of the humidity and/or temperature sensor of FIG. 1. The broken line showing of structural features is included for the purpose of illustrating non-claimed subject matter and forms no part of the claimed design.

**1 Claim, 6 Drawing Sheets**



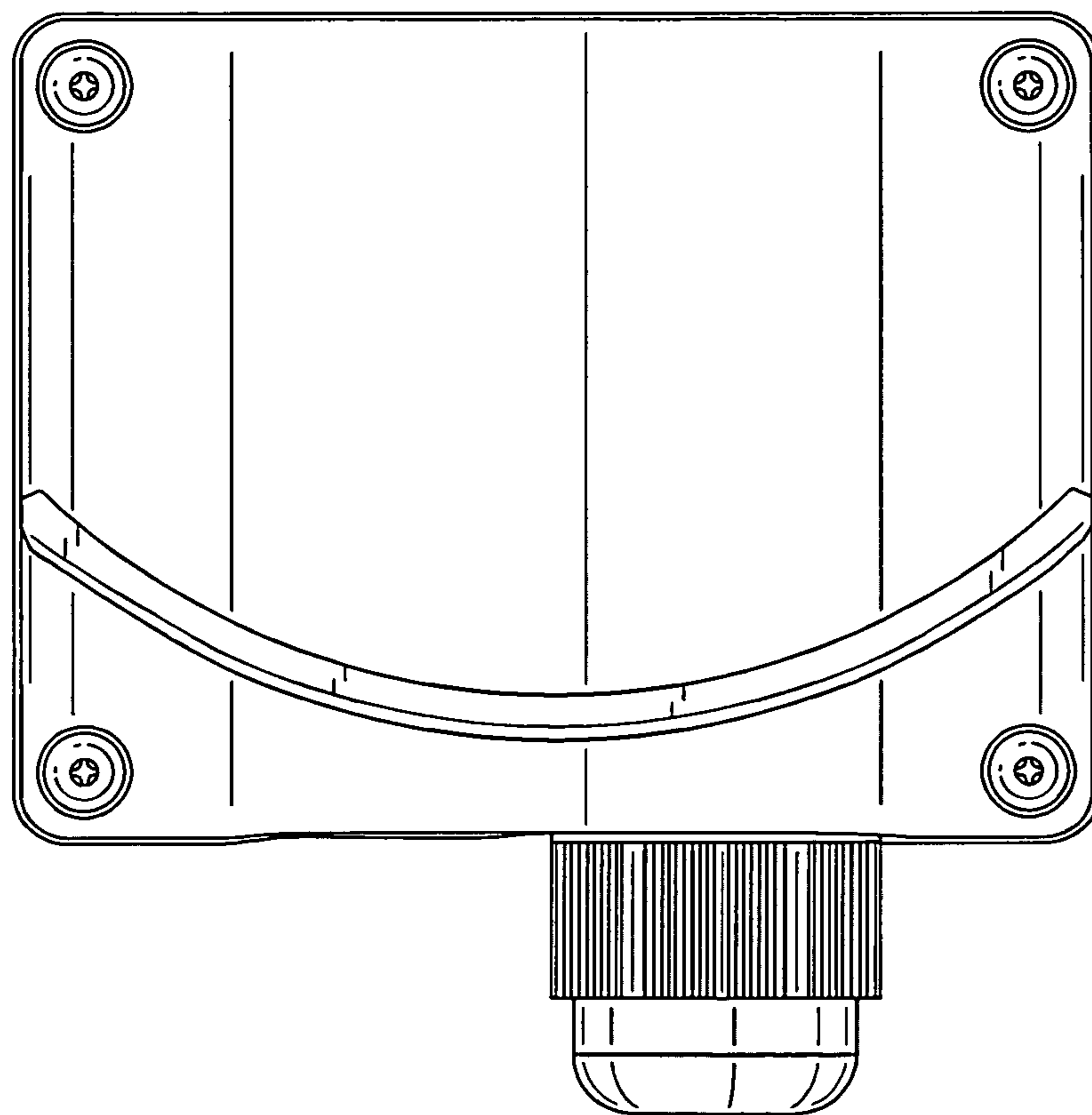


FIG. 1

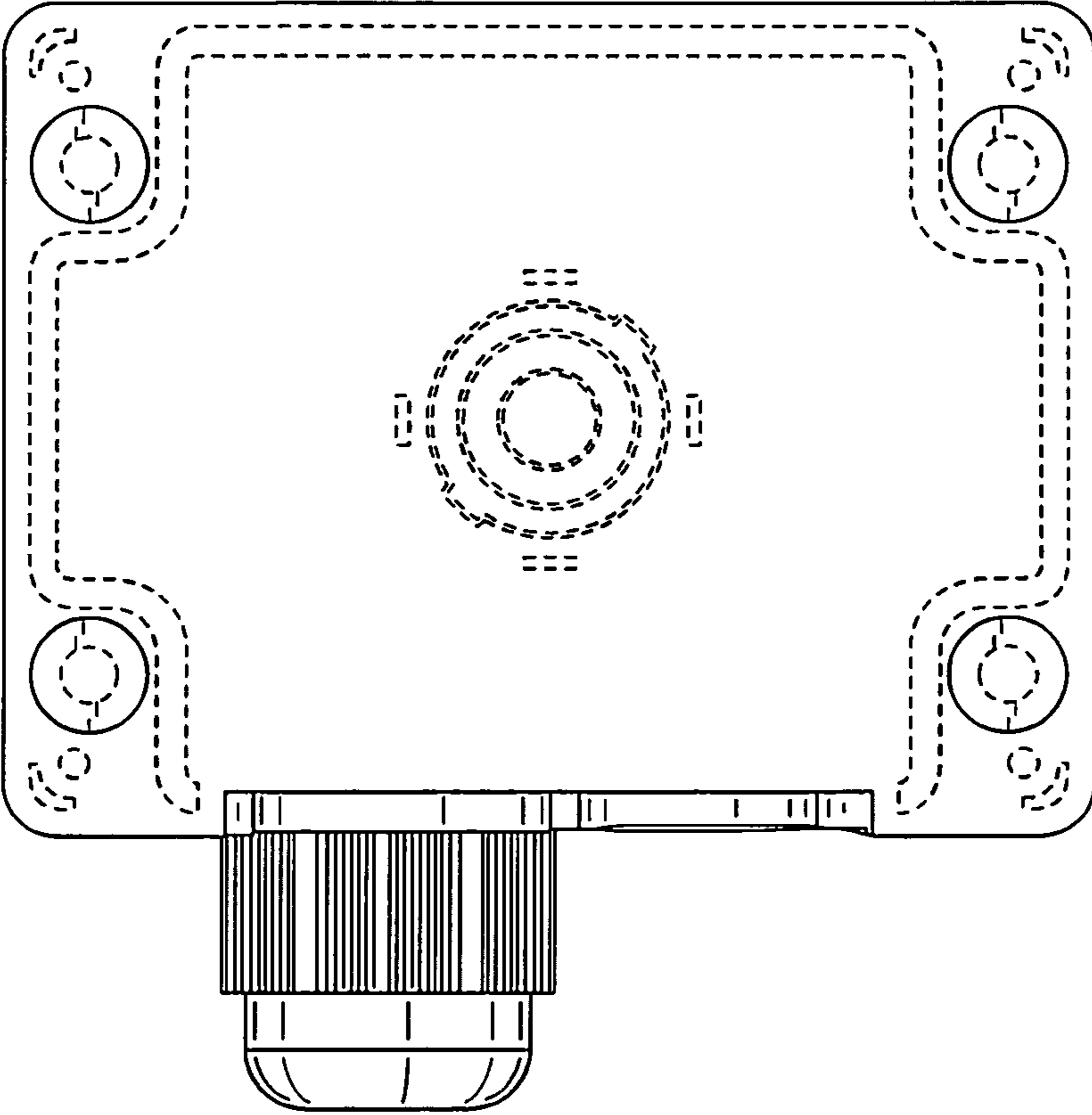


FIG. 2

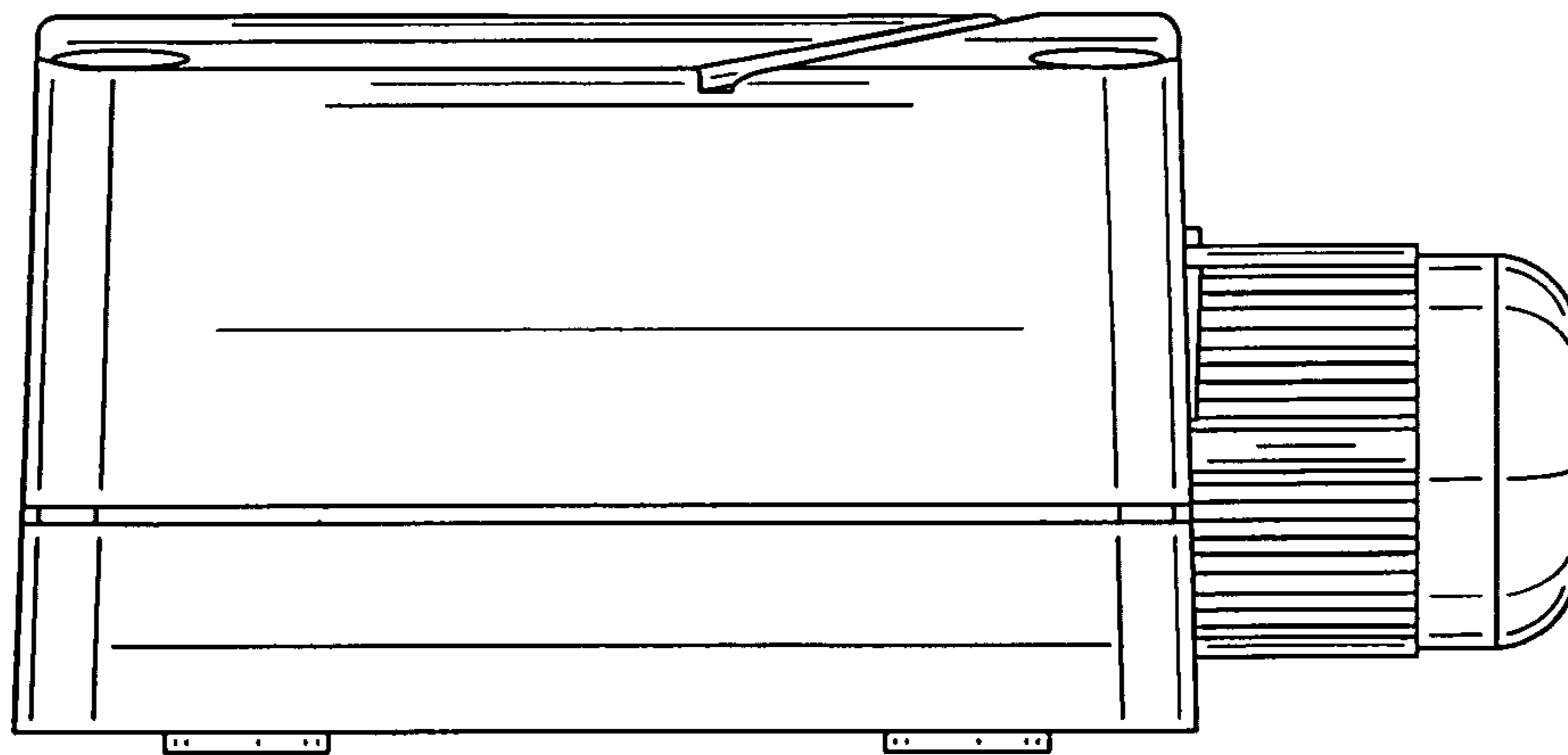


FIG. 3

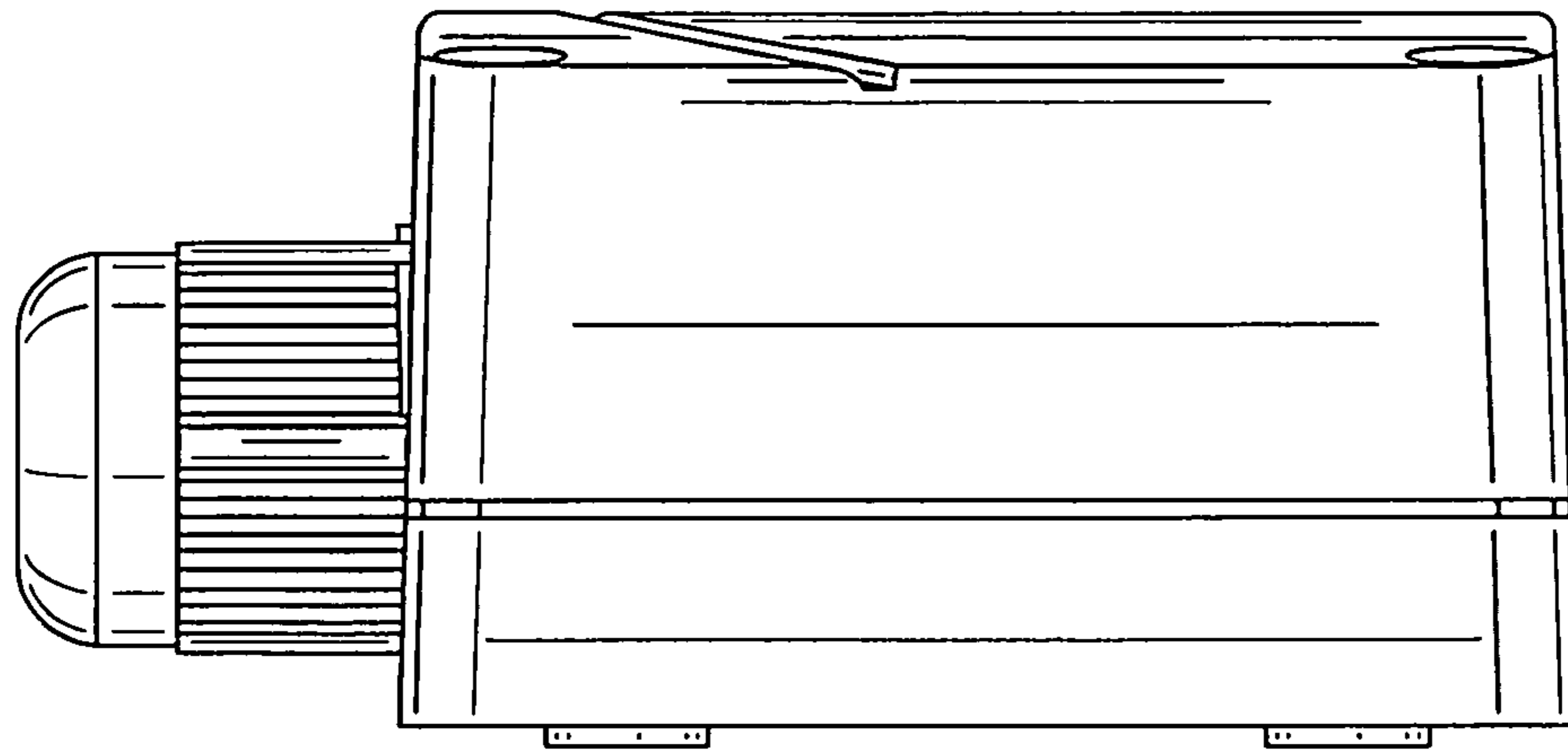


FIG. 4

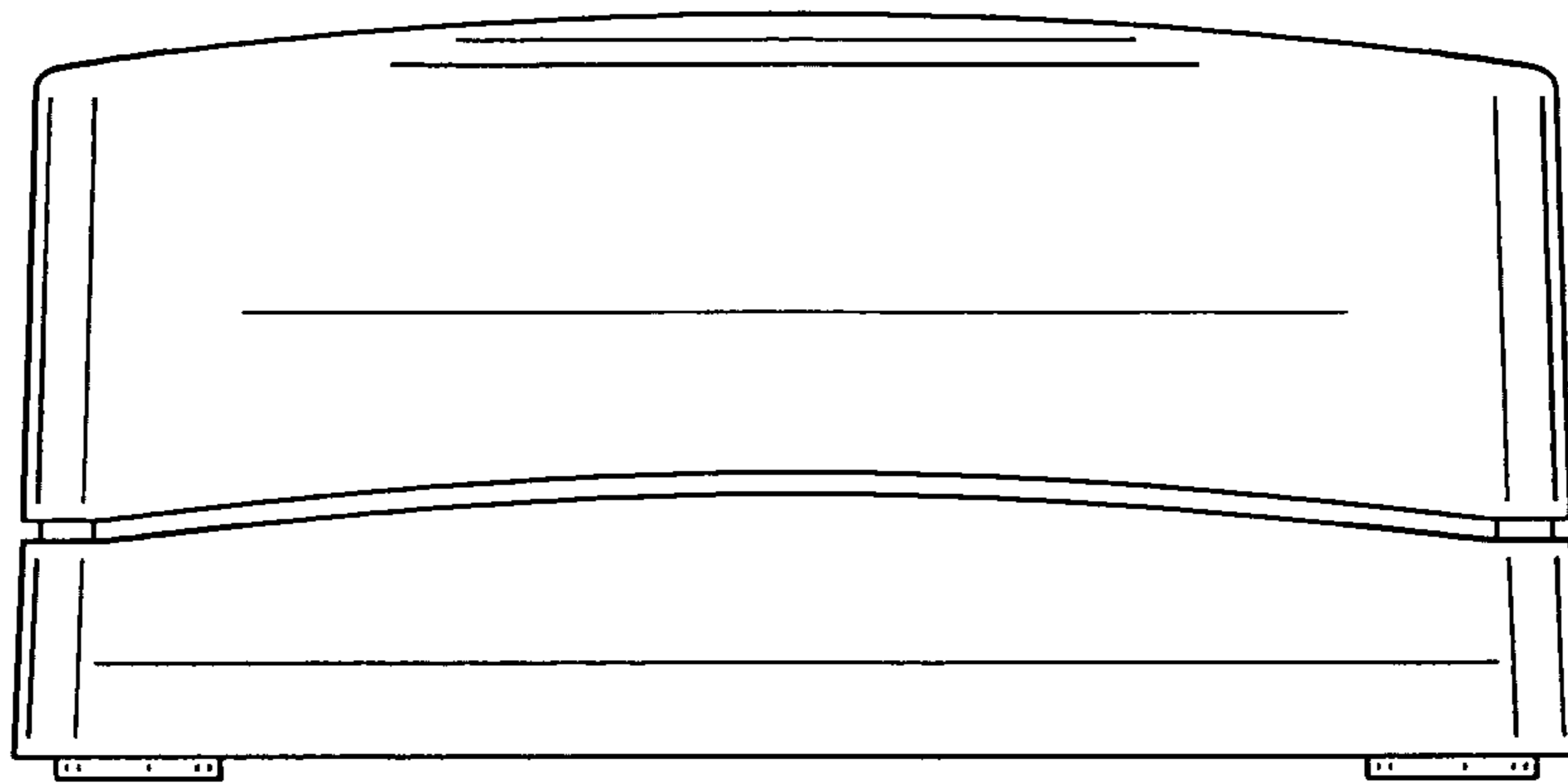


FIG. 5

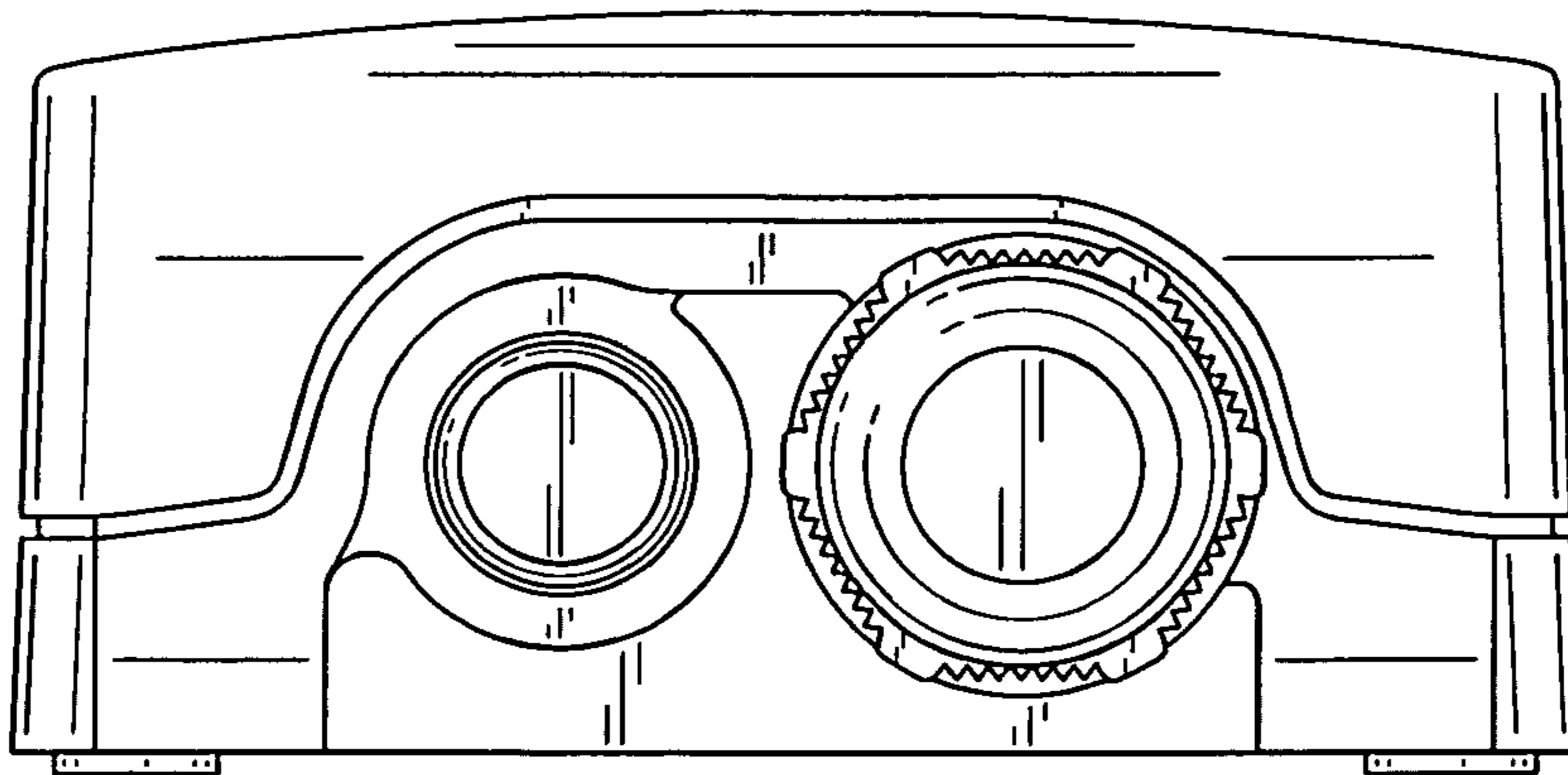


FIG. 6

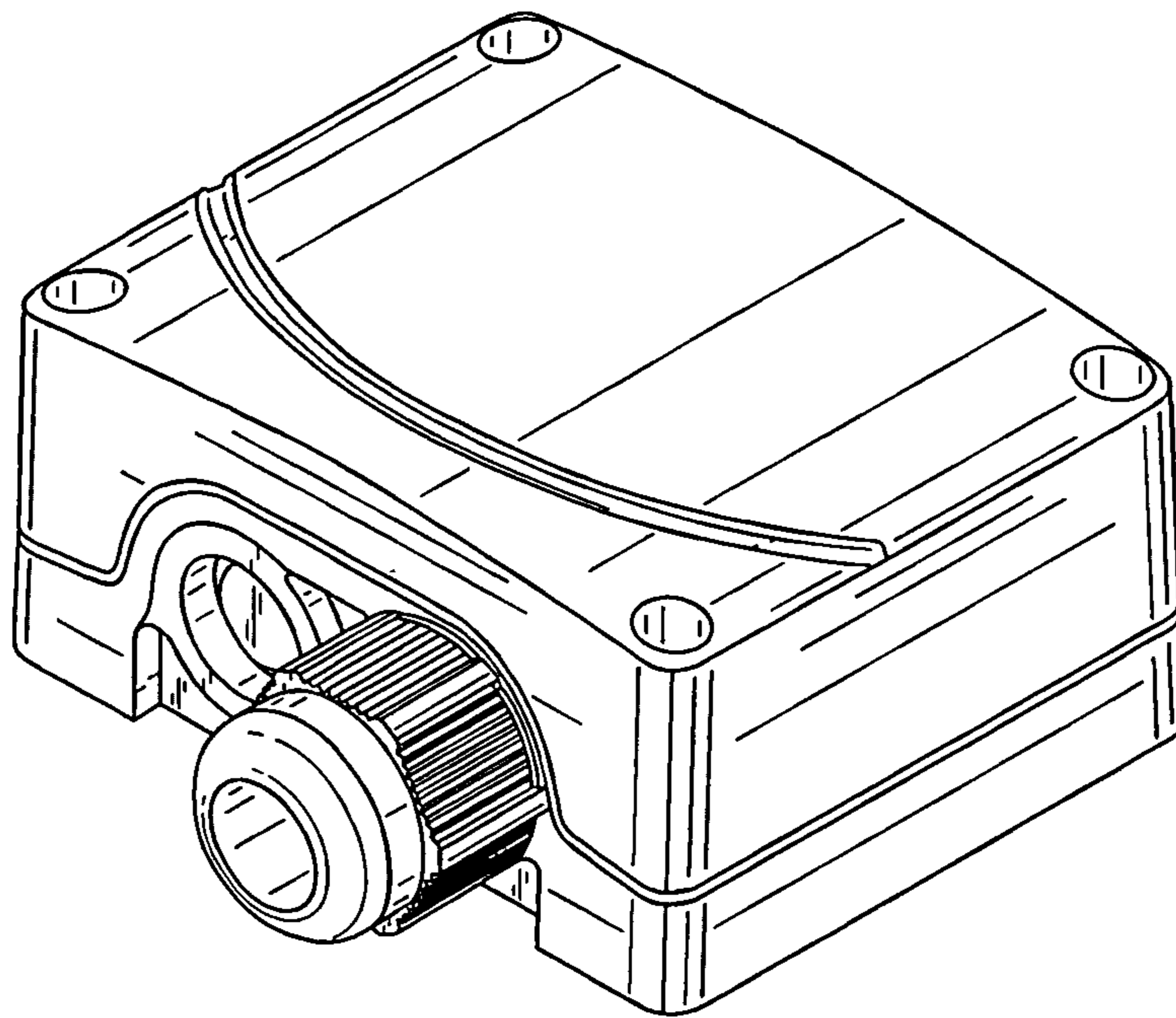


FIG. 7