

US00D698669S

(12) **United States Design Patent**
Austin

(10) **Patent No.:** **US D698,669 S**
(45) **Date of Patent:** **** Feb. 4, 2014**

- (54) **GOLF SCORE KEEPING DEVICE**
- (71) Applicant: **Barry D. Austin**, Melbourne, FL (US)
- (72) Inventor: **Barry D. Austin**, Melbourne, FL (US)
- (**) Term: **14 Years**
- (21) Appl. No.: **29/441,043**
- (22) Filed: **Dec. 31, 2012**
- (51) **LOC (10) Cl.** **21-01**
- (52) **U.S. Cl.**
USPC **D10/46.1**
- (58) **Field of Classification Search**
USPC D10/46, 46.1; 116/222-225; 224/918,
224/921; 473/131; 236/90
See application file for complete search history.

| | | | | |
|-----------|-----|---------|------------------|----------|
| D341,094 | S | 11/1993 | Austin | |
| 5,265,009 | A * | 11/1993 | Colavita | 463/1 |
| D349,859 | S * | 8/1994 | Asano | D10/46.1 |
| D353,110 | S * | 12/1994 | Calabrese et al. | D10/46.1 |
| D369,754 | S | 5/1996 | Donaldson | |
| 5,550,884 | A | 8/1996 | Berney | |
| D388,341 | S * | 12/1997 | Perez | D10/46.1 |
| D418,174 | S * | 12/1999 | Jankowski et al. | D21/329 |
| D418,879 | S | 1/2000 | Hornsby et al. | |
| D423,599 | S * | 4/2000 | Au Yeung | D21/324 |
| D449,544 | S * | 10/2001 | Liu | D10/46.1 |

* cited by examiner

Primary Examiner — Prabhakar Deshmukh
(74) *Attorney, Agent, or Firm* — Montgomery Patent & Design; Robert C. Montgomery

(57) **CLAIM**
The ornamental design for a golf score keeping device, as shown and described.

DESCRIPTION

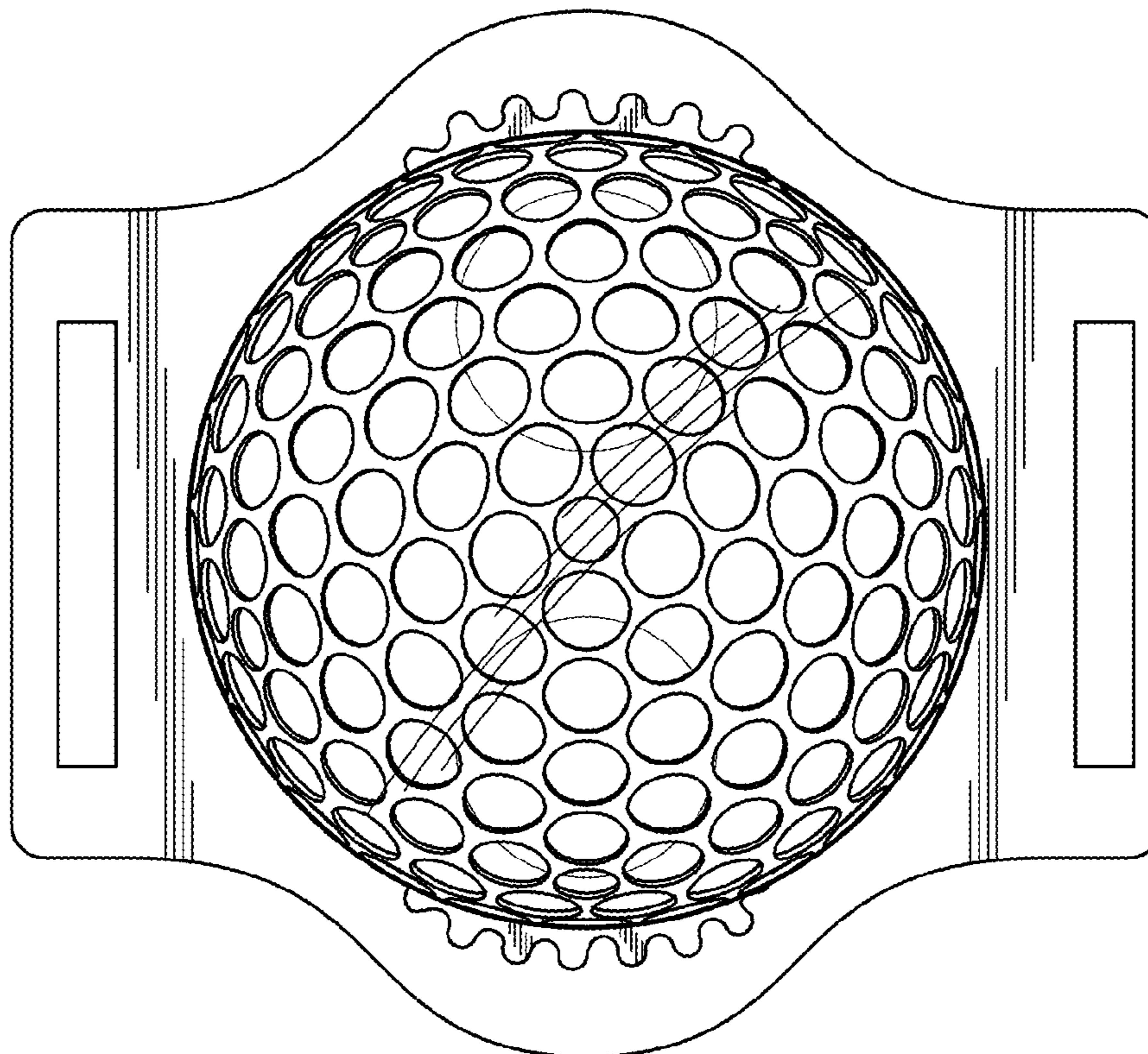
FIG. 1 is a top view of a golf score keeping device, showing my new design;
FIG. 2 is a bottom view thereof;
FIG. 3 is a left hand view thereof, with the opposing right hand side being a mirror image thereof; and,
FIG. 4, is a front view thereof, with the opposing rear side being a mirror image thereof.

1 Claim, 4 Drawing Sheets

(56) **References Cited**

U.S. PATENT DOCUMENTS

| | | | | |
|-----------|-----|---------|----------|----------|
| 1,651,558 | A | 12/1927 | Sheridan | |
| 3,730,131 | A * | 5/1973 | Izzo | 116/223 |
| 3,777,699 | A * | 12/1973 | Pfleger | 116/223 |
| 3,936,963 | A * | 2/1976 | Chan | 40/492 |
| 4,165,710 | A | 8/1979 | Gaetano | |
| 4,864,592 | A * | 9/1989 | Lee | 377/5 |
| D313,769 | S * | 1/1991 | Catuzzi | D10/46.1 |



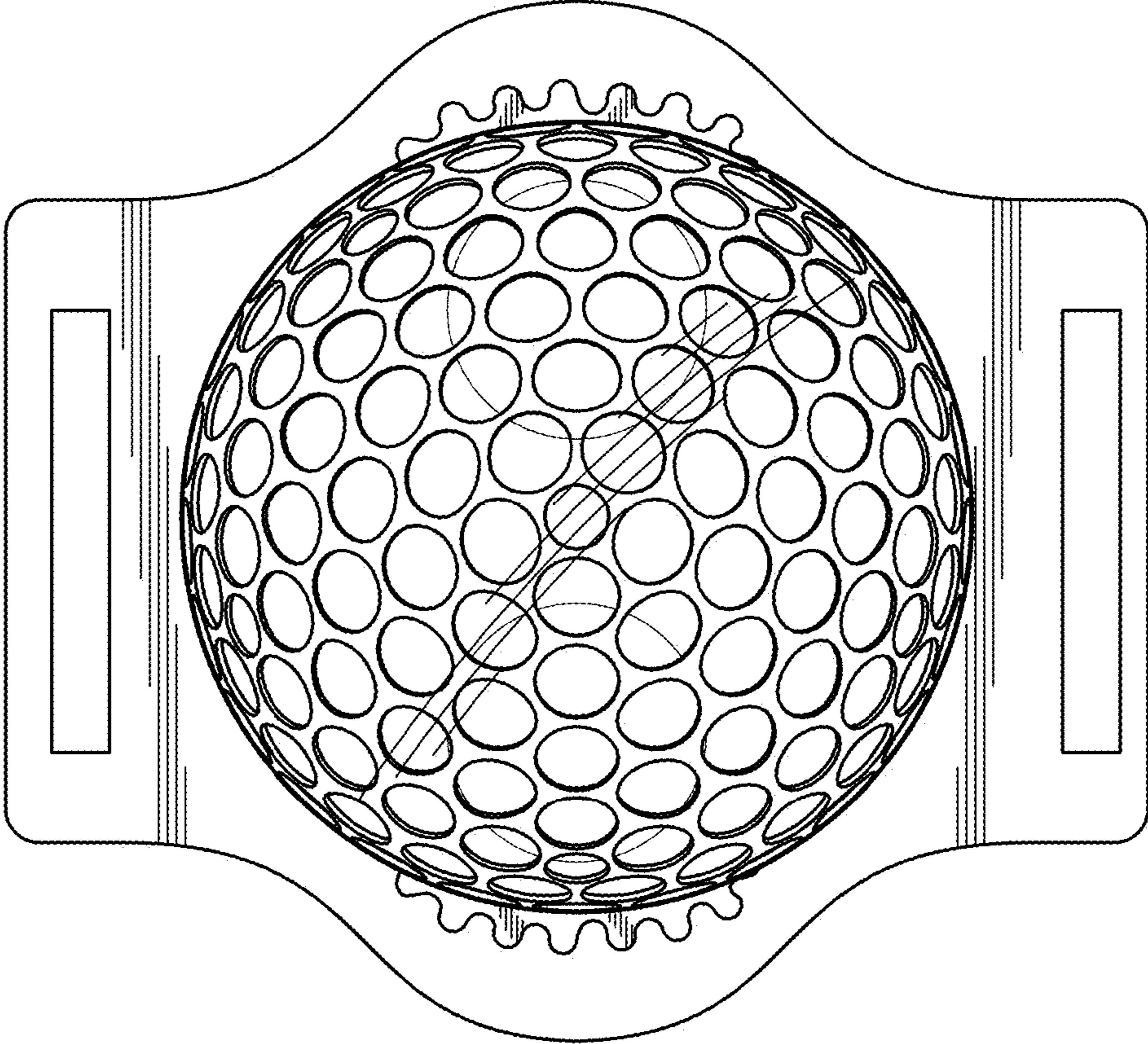


Fig. 1

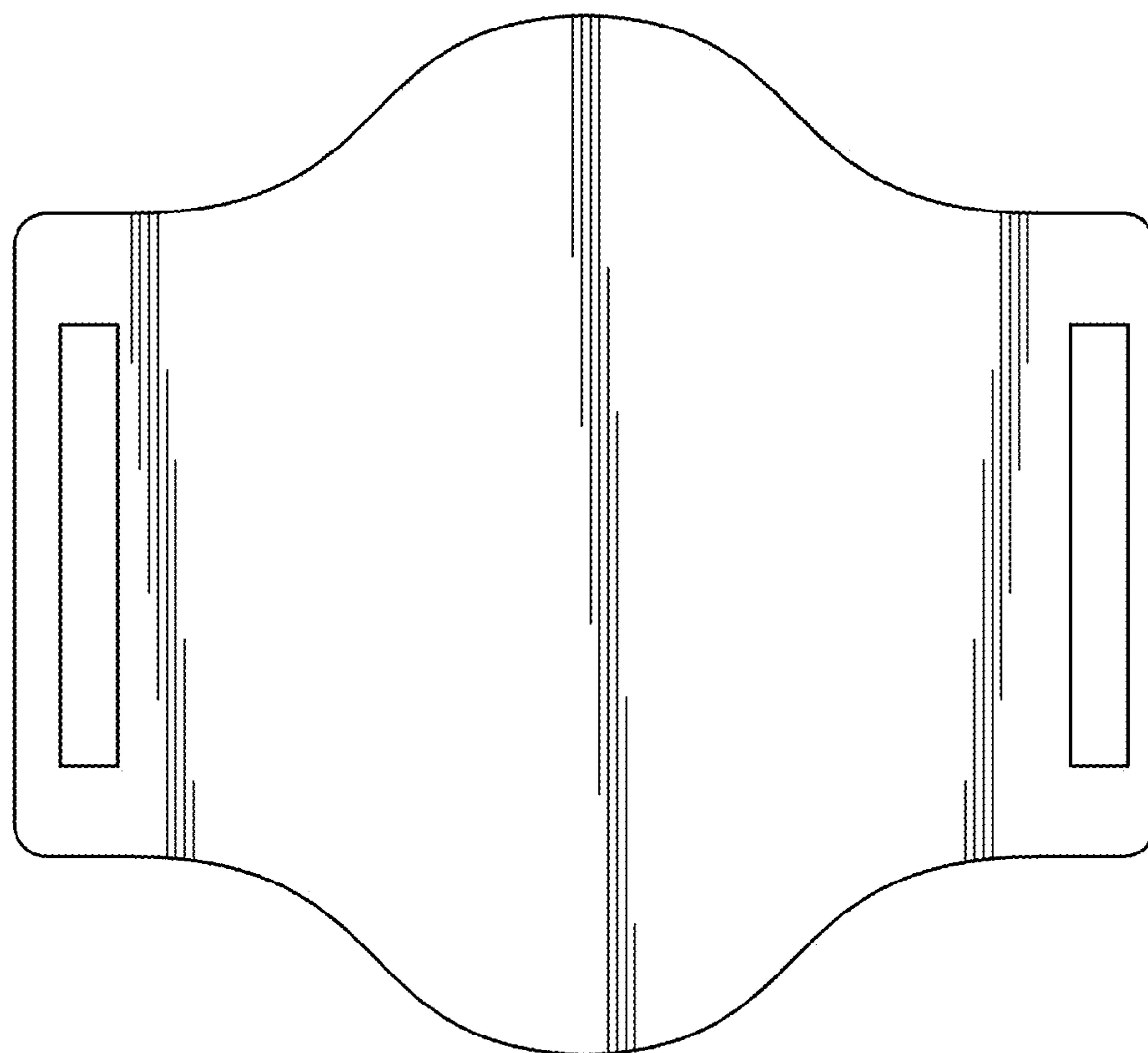


Fig. 2

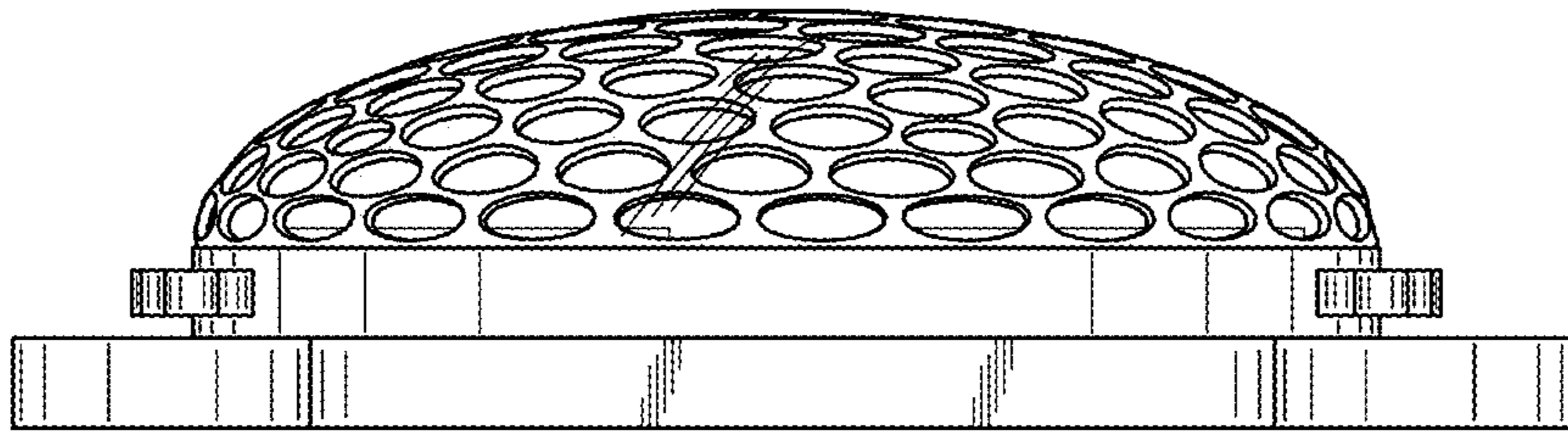


Fig. 3

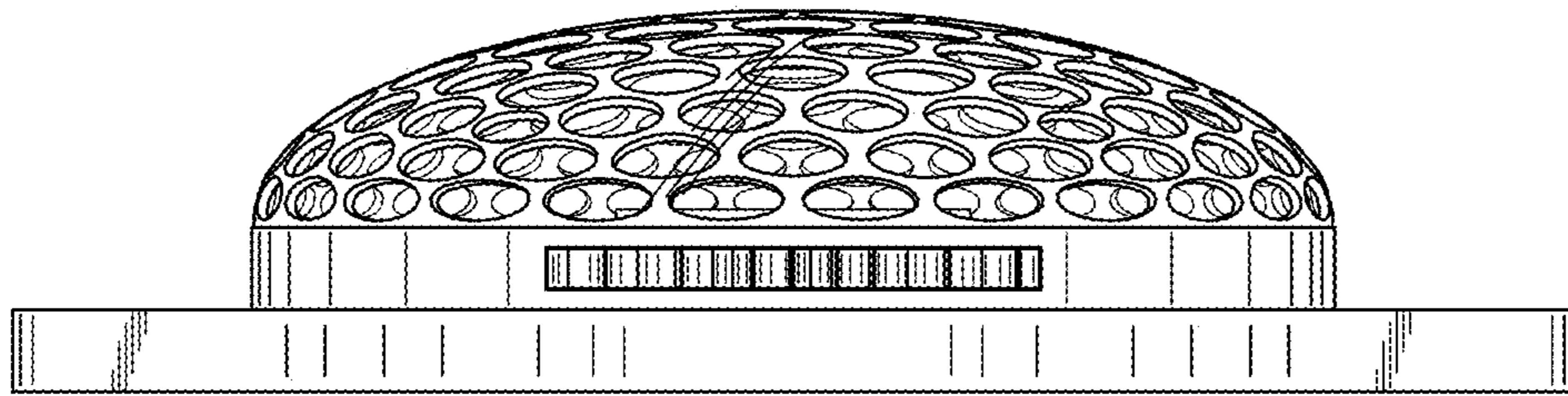


Fig. 4