



US00D698668S

(12) **United States Design Patent**  
**Vaughn**

(10) **Patent No.:** **US D698,668 S**  
(45) **Date of Patent:** **\*\* Feb. 4, 2014**

- (54) **METALLIC BEVERAGE CONTAINER**
- (71) Applicant: **Ball Corporation**, Broomfield, CO (US)
- (72) Inventor: **Michael L. Vaughn**, Hilton Head Island, SC (US)
- (73) Assignee: **Ball Corporation**, Broomfield, CO (US)
- (\*\*) Term: **14 Years**
- (21) Appl. No.: **29/449,195**
- (22) Filed: **Mar. 14, 2013**
- (51) **LOC (10) Cl.** ..... **09-02**
- (52) **U.S. Cl.**  
USPC ..... **D9/772**
- (58) **Field of Classification Search**  
USPC ..... D9/500, 502, 516, 530, 537, 539, 542,  
D9/549, 763-783; 215/381-385; 220/660,  
220/662, 669; D7/601, 602, 612, 615, 630  
See application file for complete search history.

- 6,102,242 A 8/2000 Jansen
- D432,015 S \* 10/2000 Holiday ..... D9/772
- 6,126,034 A 10/2000 Borden et al.
- 6,460,723 B2 10/2002 Nguyen et al.
- 6,968,724 B2 11/2005 Hubball
- D522,880 S 6/2006 Fuller et al.
- 7,100,789 B2 9/2006 Nguyen et al.
- 7,198,168 B2 4/2007 Mizuma
- D570,228 S \* 6/2008 van Dam ..... D9/772
- 7,506,779 B2 3/2009 Jentzsch et al.

(Continued)

**FOREIGN PATENT DOCUMENTS**

- JP 2000-159229 6/2000
- JP 2002-145263 5/2002

(Continued)

**OTHER PUBLICATIONS**

Decision to Grant (with English translation) for Chinese Patent Application No. 2013300475670 dated Apr. 24, 2013, 4 pages.

(Continued)

*Primary Examiner* — Keli L Hill  
(74) *Attorney, Agent, or Firm* — Sheridan Ross P.C.

(56) **References Cited**

**U.S. PATENT DOCUMENTS**

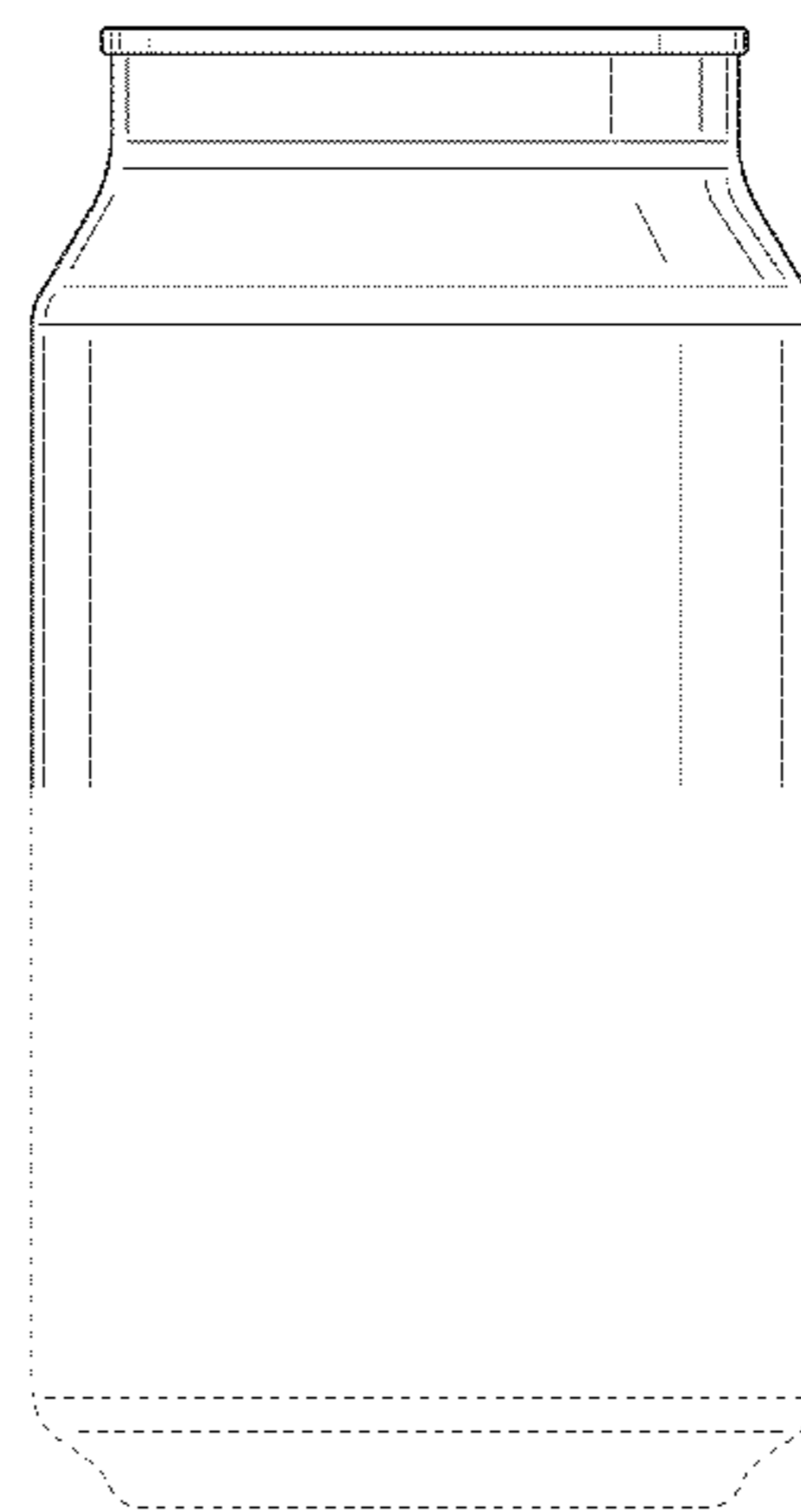
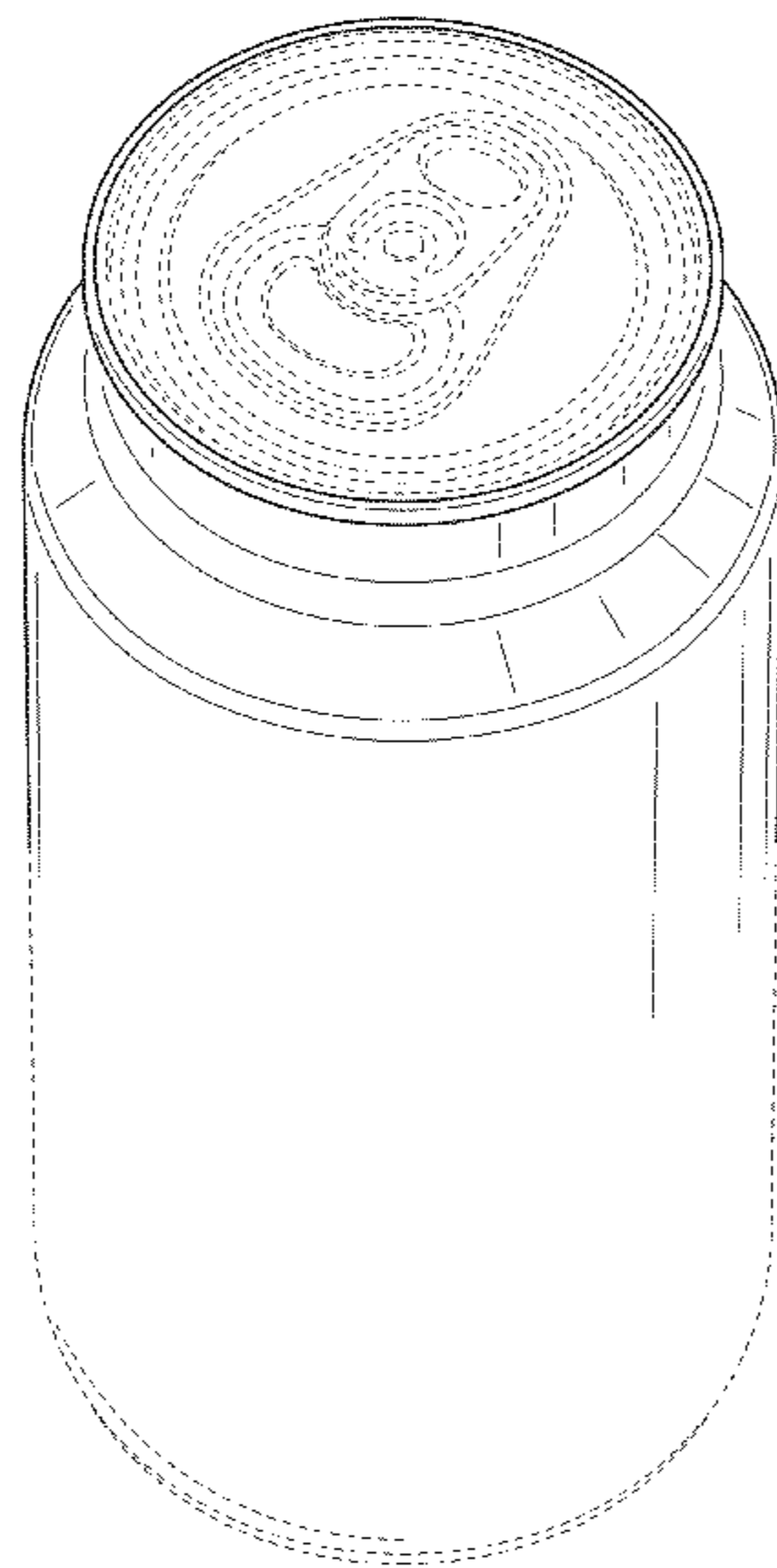
- 3,704,805 A 12/1972 Sheafe, III
- 4,015,744 A \* 4/1977 Brown ..... 220/269
- 4,289,251 A 9/1981 Maliszewski
- 4,318,493 A 3/1982 Jacobsen et al.
- D267,393 S 12/1982 Gruodis et al.
- 4,452,368 A 6/1984 Roth
- 5,346,087 A 9/1994 Klein
- 5,355,710 A 10/1994 Diekhoff
- 5,555,992 A 9/1996 Sedgeley
- 5,685,189 A 11/1997 Nguyen et al.
- D389,734 S 1/1998 Schultz et al.
- D392,566 S 3/1998 Vahjen et al.
- D394,810 S 6/1998 Rodea
- 5,765,709 A 6/1998 Scott
- 5,822,843 A 10/1998 Diekhoff et al.
- D402,198 S 12/1998 Schultz et al.

(57) **CLAIM**  
The ornamental design for a metallic beverage container, as shown and described.

**DESCRIPTION**

FIG. 1 is a front perspective view of a metallic beverage container, showing my new design; FIG. 2 is a top plan view thereof; and, FIG. 3 is a front elevation view thereof. The broken lines showing a metallic beverage container end closure are included for the purpose of illustrating environment and form no part of the claimed design.

**1 Claim, 2 Drawing Sheets**



(56)

**References Cited**

U.S. PATENT DOCUMENTS

7,513,383 B2 4/2009 Hwang  
 D605,038 S \* 12/2009 Olive-Bartres et al. .... D9/453  
 D618,115 S \* 6/2010 Huls et al. .... D9/772  
 D632,589 S \* 2/2011 George ..... D9/772  
 D641,644 S \* 7/2011 George ..... D9/772  
 D653,538 S \* 2/2012 Toms et al. .... D9/435  
 8,157,119 B2 4/2012 Watson et al.  
 2002/0158071 A1 10/2002 Chasteen et al.  
 2005/0029269 A1 2/2005 Stodd et al.  
 2005/0235726 A1 10/2005 Chupak  
 2006/0131255 A1 6/2006 Blondeel  
 2007/0138178 A1 \* 6/2007 Erickson ..... 220/254.4  
 2007/0177962 A1 8/2007 Boltshauser  
 2008/0011702 A1 1/2008 Walsh  
 2008/0099480 A1 5/2008 Chang  
 2008/0295558 A1 \* 12/2008 Reimer et al. .... 72/94  
 2009/0145929 A1 6/2009 Hall et al.  
 2009/0206079 A1 8/2009 Valderrama Chaparro

2010/0095696 A1 4/2010 Norris et al.  
 2012/0031056 A1 2/2012 Chasteen et al.  
 2012/0125935 A1 5/2012 Nguyen

FOREIGN PATENT DOCUMENTS

JP D1254559 10/2005  
 WO WO 99/67150 12/1999  
 WO WO 2008/057207 5/2008  
 WO WO 2011/053776 5/2011

OTHER PUBLICATIONS

U.S. Appl. No. 29/430,744, filed Aug. 29, 2012, Chasteen et al.  
 U.S. Appl. No. 13/669,153, filed Nov. 5, 2012, Jacober et al.  
 Official Action (no translation available) for Japanese Patent Application No. 2013-004036 mailed Aug. 23, 2013, 2 pages.  
 Official Action (no translation available) for Japanese Patent Application No. 2013-004037 mailed Aug. 23, 2013, 2 pages.  
 Official Action (no translation available) for Japanese Patent Application No. 2013-004038 mailed Aug. 23, 2013, 2 pages.

\* cited by examiner

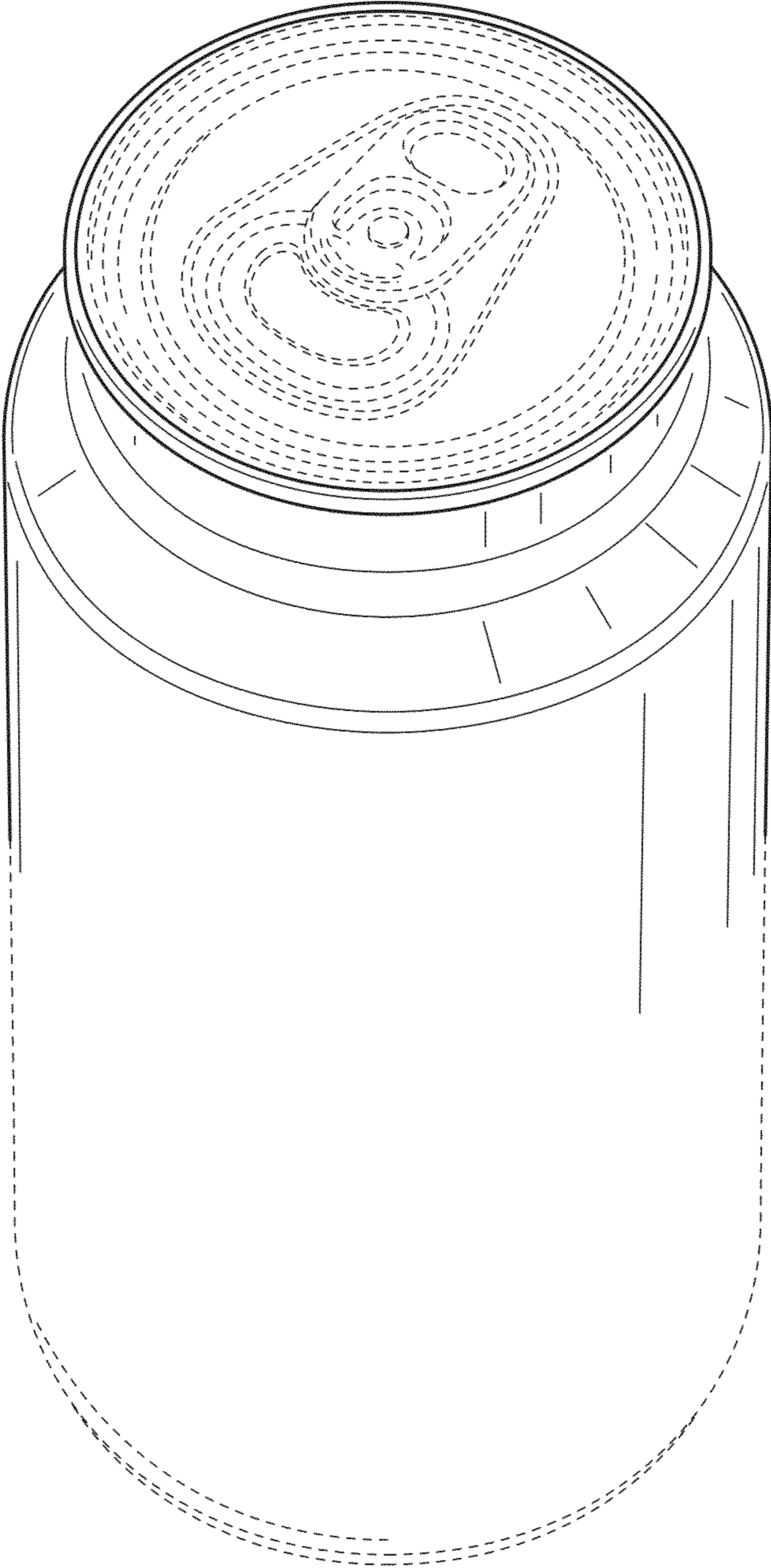


FIG.1

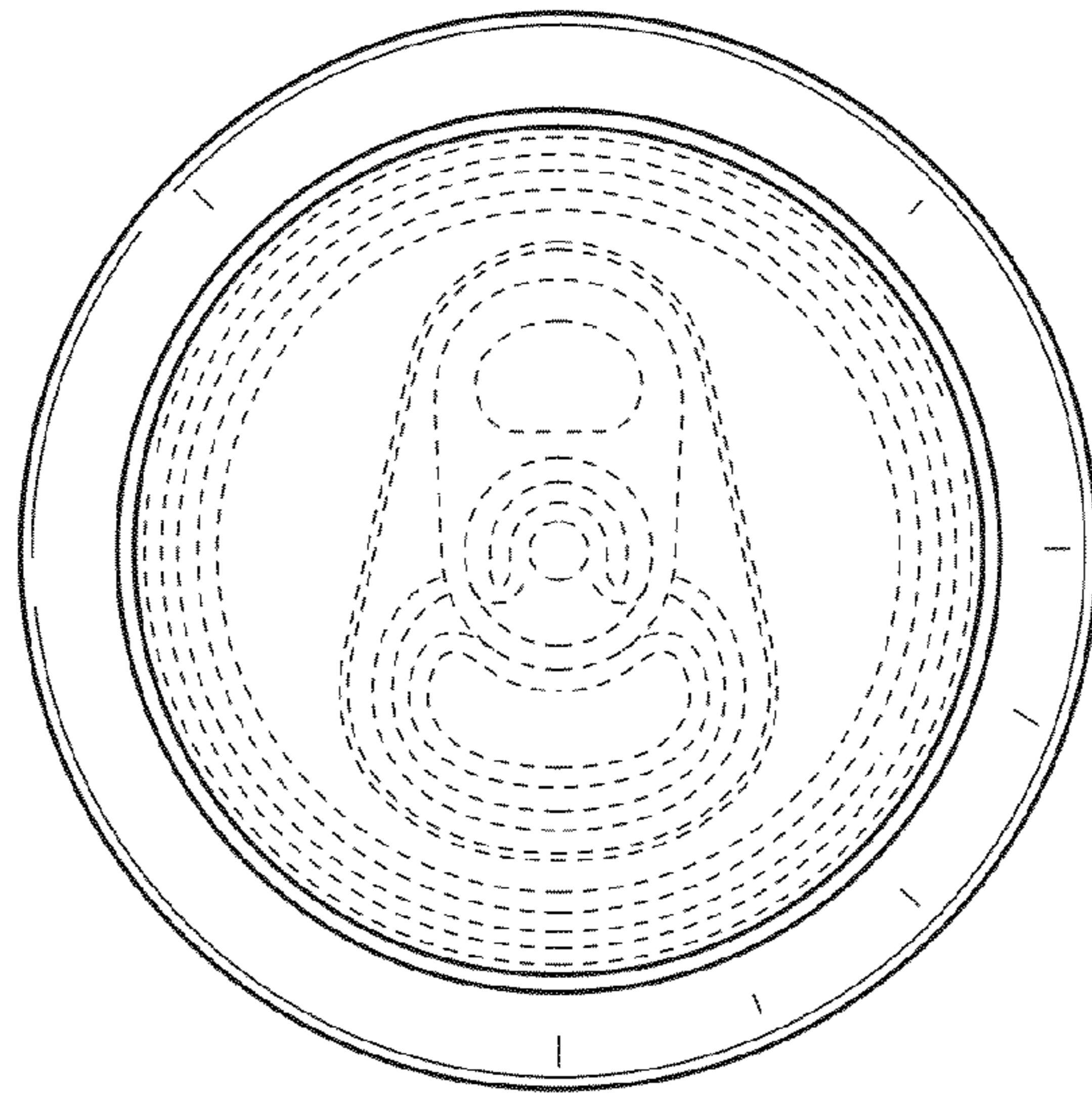


FIG. 2

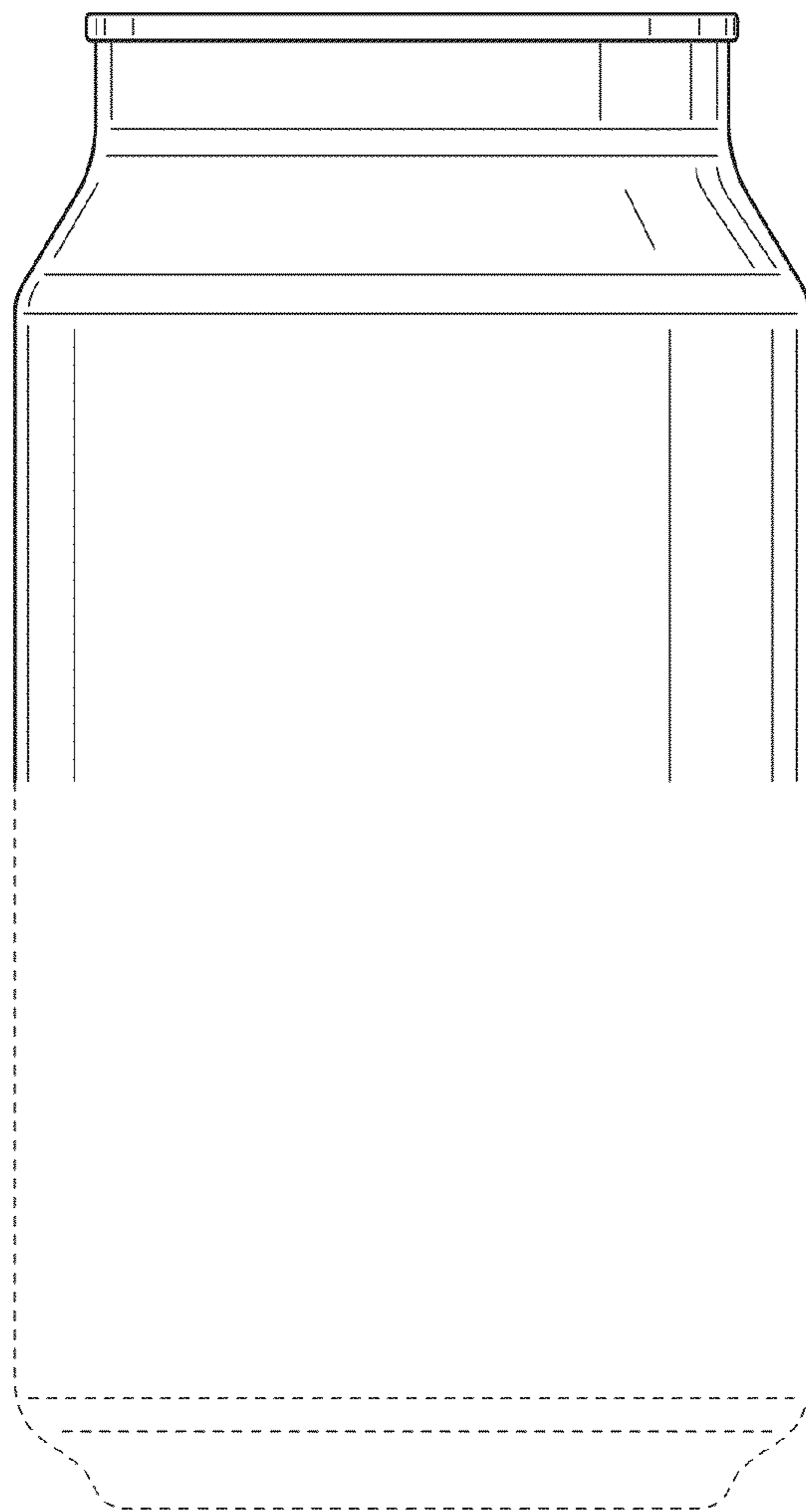


FIG. 3